



US00D880932S

(12) **United States Design Patent**
Tan et al.

(10) **Patent No.:** **US D880,932 S**
(45) **Date of Patent:** **** Apr. 14, 2020**

(54) **COOKING PLATE**
(71) Applicant: **Guangdong Midea Consumer Electric Manufacturing Co., Ltd., Foshan (CN)**
(72) Inventors: **Mao Tan, Foshan (CN); Haiying Wang, Foshan (CN)**
(73) Assignee: **GUANGDONG MIDEA CONSUMER ELECTRIC MANUFACTURING CO., LTD., Foshan (CN)**

D286,494 S * 11/1986 Lastuck D7/363
4,724,823 A * 2/1988 Simpson A47J 37/0682
126/39 D
D335,240 S * 5/1993 Critchfield D7/364
5,740,723 A * 4/1998 Lin A47J 37/0682
126/39 K
D500,629 S * 1/2005 Huggler D7/352
D564,826 S * 3/2008 Chin D7/352
D575,098 S * 8/2008 Seymour D7/363
D669,303 S * 10/2012 Garman D7/352
D696,897 S * 1/2014 Kunz D7/352
D851,440 S * 6/2019 Berge D7/362
2015/0122797 A1 * 5/2015 Eggers H05B 3/688
219/450.1

(**) Term: **15 Years**

* cited by examiner

(21) Appl. No.: **29/672,742**

Primary Examiner — Ricky Pham

(22) Filed: **Dec. 7, 2018**

(74) *Attorney, Agent, or Firm* — Morgan, Lewis & Bockius LLP

(30) **Foreign Application Priority Data**

Aug. 21, 2018 (CN) 2018 3 0465272

(51) **LOC (12) Cl.** **07-02**

(52) **U.S. Cl.**
USPC **D7/364; D7/362; D7/363**

(58) **Field of Classification Search**
USPC D7/323, 328–330, 337, 347, 352–364,
D7/367, 402, 409–411

CPC . A21B 5/023; A47J 27/60; A47J 27/62; A47J
37/04; A47J 37/06; A47J 37/067; A47J
37/0605; A47J 37/0611; A47J 37/0623;
A47J 37/0629; A47J 37/0676; A47J
37/0682; A47J 2037/06; A47J 2037/0611;
F24C 15/10; F24C 15/102; H05B 3/688;
H05B 6/02; H05B 6/062

See application file for complete search history.

(56) **References Cited**

U.S. PATENT DOCUMENTS

D149,518 S * 5/1948 Rendler D7/356
D205,820 S * 9/1966 Ryan D7/364

(57) **CLAIM**

The ornamental design for a cooking plate, as shown and described.

DESCRIPTION

FIG. 1 is a front view of a cooking plate, showing our new design;

FIG. 2 is rear view thereof;

FIG. 3 is first side view thereof;

FIG. 4 is second side view thereof;

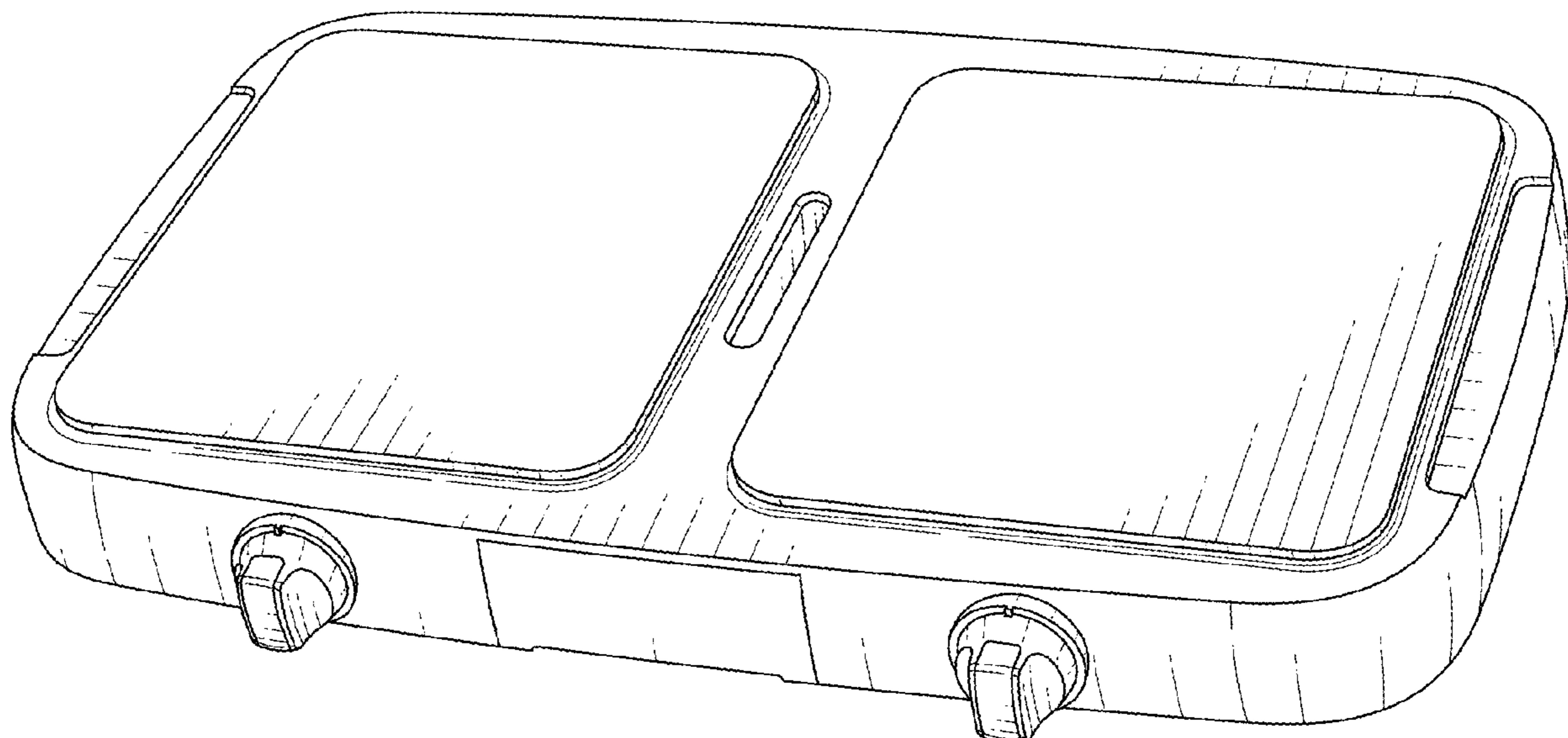
FIG. 5 is a top view thereof;

FIG. 6 is bottom view thereof; and,

FIG. 7 is a perspective view thereof.

The broken lines immediately adjacent the shaded areas represent the bounds of the claimed design while all other broken lines are directed to unclaimed portions; the broken lines form no part of the claimed design.

1 Claim, 7 Drawing Sheets



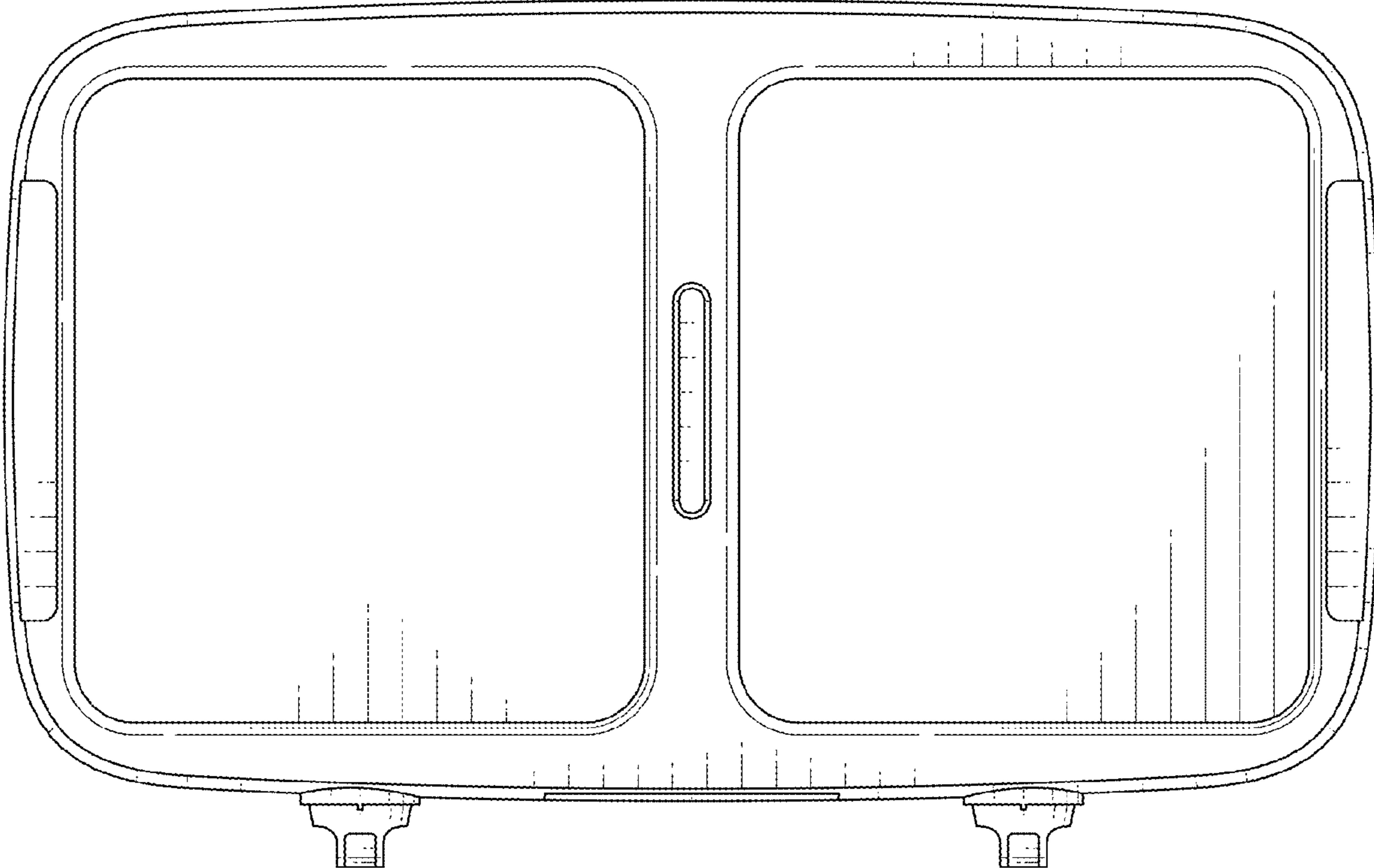


FIG. 1

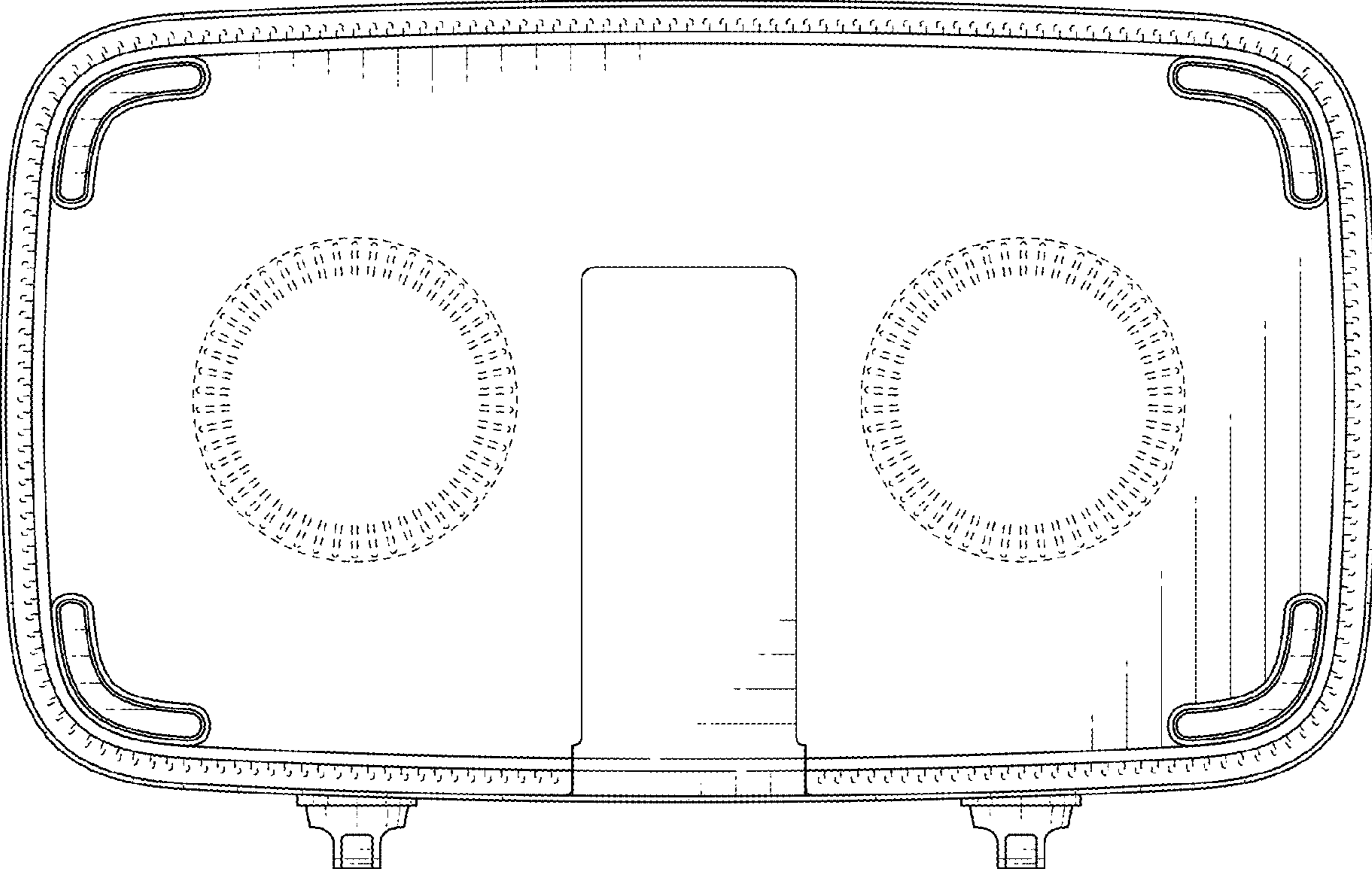


FIG. 2

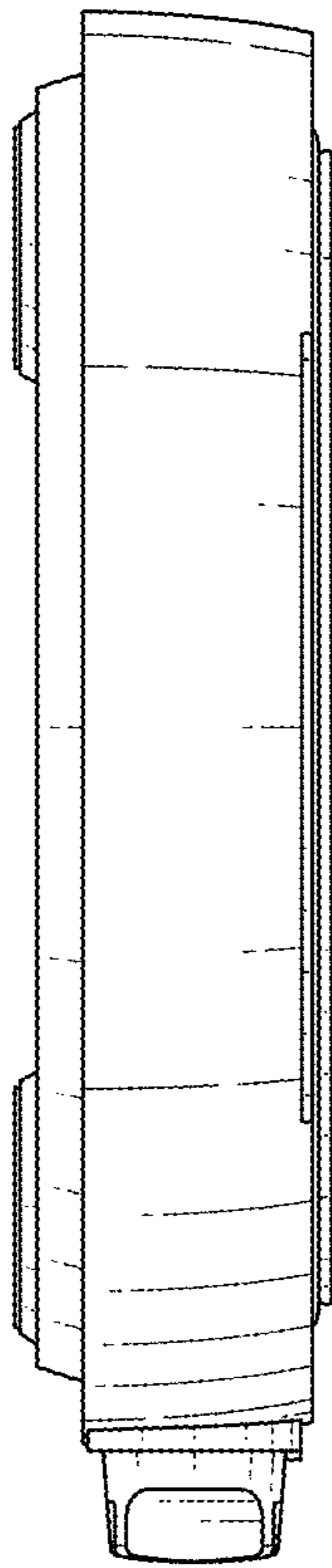


FIG. 3

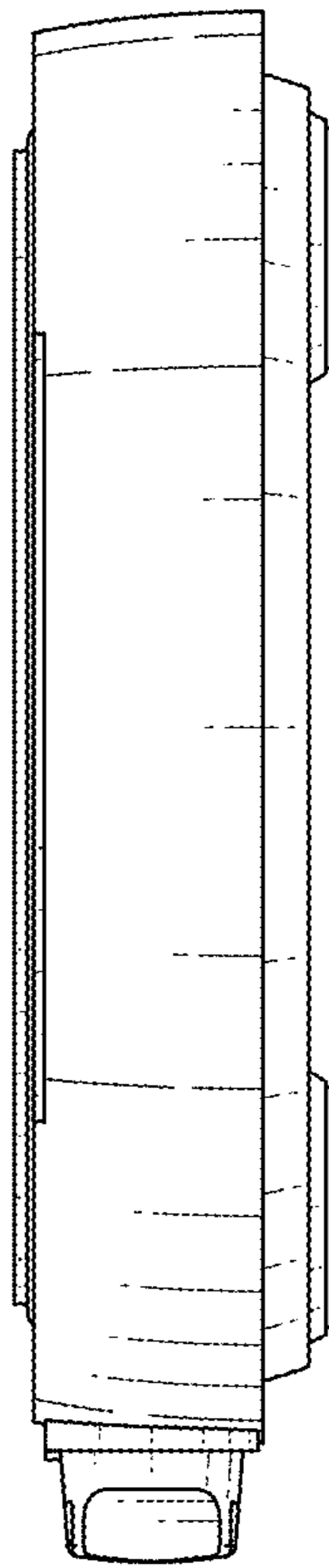


FIG. 4

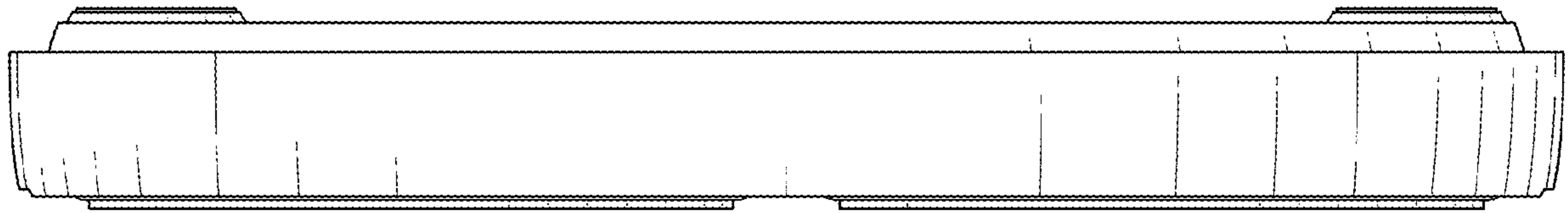


FIG. 5

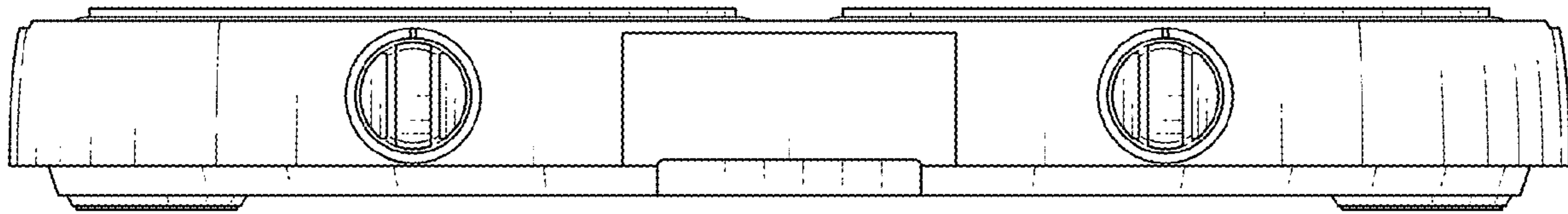


FIG. 6

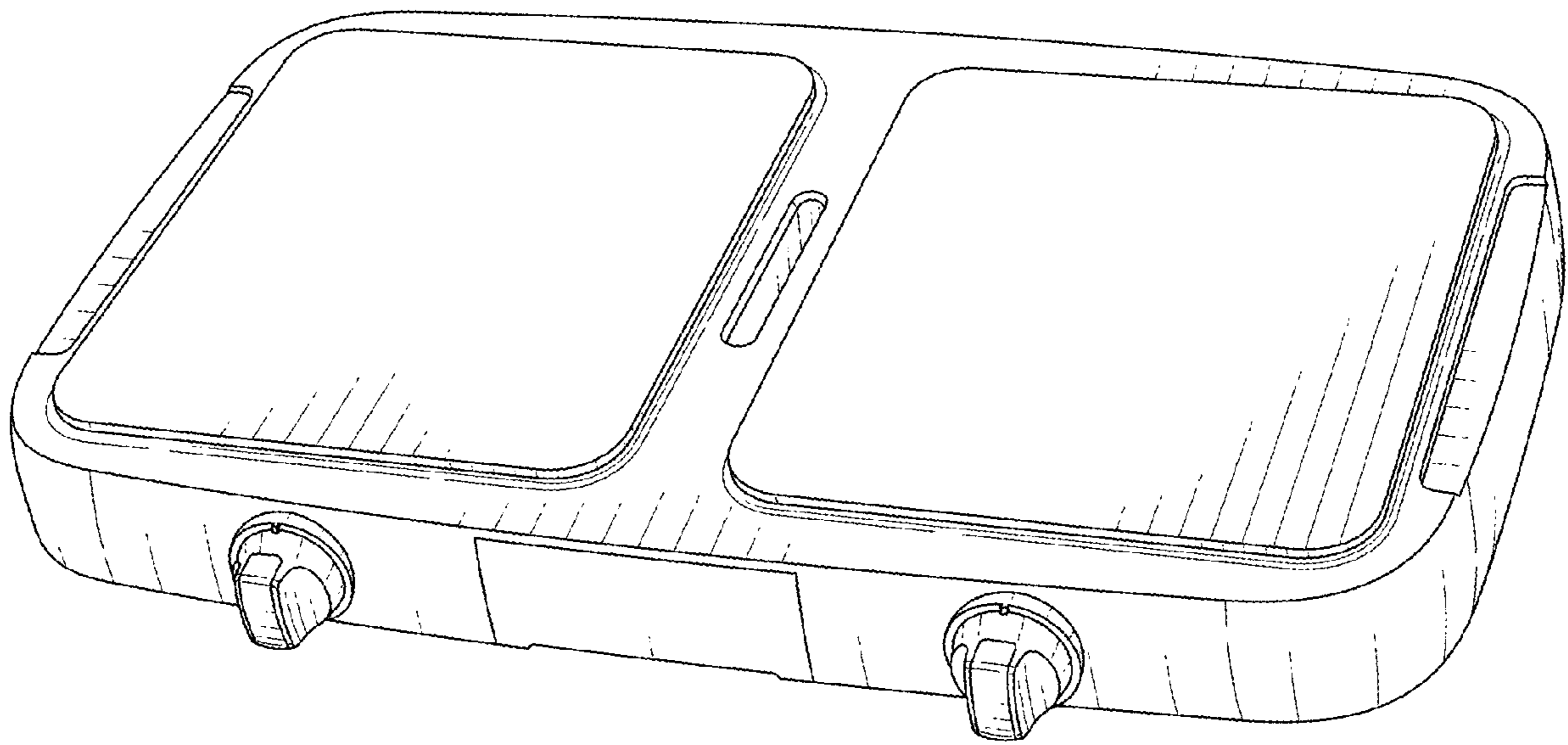


FIG. 7