



US00D880931S

(12) **United States Design Patent** (10) **Patent No.:** **US D880,931 S**
Tan et al. (45) **Date of Patent:** **** Apr. 14, 2020**

(54) **COOKING PLATE**
(71) Applicant: **Guangdong Midea Consumer Electric Manufacturing Co., Ltd.**, Foshan (CN)
(72) Inventors: **Mao Tan**, Foshan (CN); **Haiying Wang**, Foshan (CN)
(73) Assignee: **GUANGDONG MIDEA CONSUMER ELECTRIC MANUFACTURING CO., LTD.**, Foshan (CN)
(**) Term: **15 Years**
(21) Appl. No.: **29/672,744**
(22) Filed: **Dec. 7, 2018**
(30) **Foreign Application Priority Data**
Aug. 21, 2018 (CN) 2018 3 0465273
(51) **LOC (12) Cl.** **07-02**
(52) **U.S. Cl.**
USPC **D7/359**; D7/409
(58) **Field of Classification Search**
USPC D7/323, 332, 335-337, 354-355, D7/359-364, 387-388, 402, 407-409
CPC A21B 2/00; A21B 3/00; A21B 3/13; A21B 3/15; A21B 5/00; A21B 5/02; A23N 12/06; A23N 12/08; A23N 12/10; A47J 37/00; A47J 37/04; A47J 37/041; A47J 37/042; A47J 37/06; A47J 37/067; A47J 37/0688; A47J 37/0694; A47J 37/07; A47J 37/0704; A47J 37/10; A47J 47/20; A47J 2037/00; A47J 2037/06; A47J 2037/0611; A47J 2037/07; A47J 2037/0786; A47J 2037/0795; F24C 15/10; F24C 15/12; F24C 15/14; F24C 15/16; F24C 15/164; F24C 15/18
See application file for complete search history.

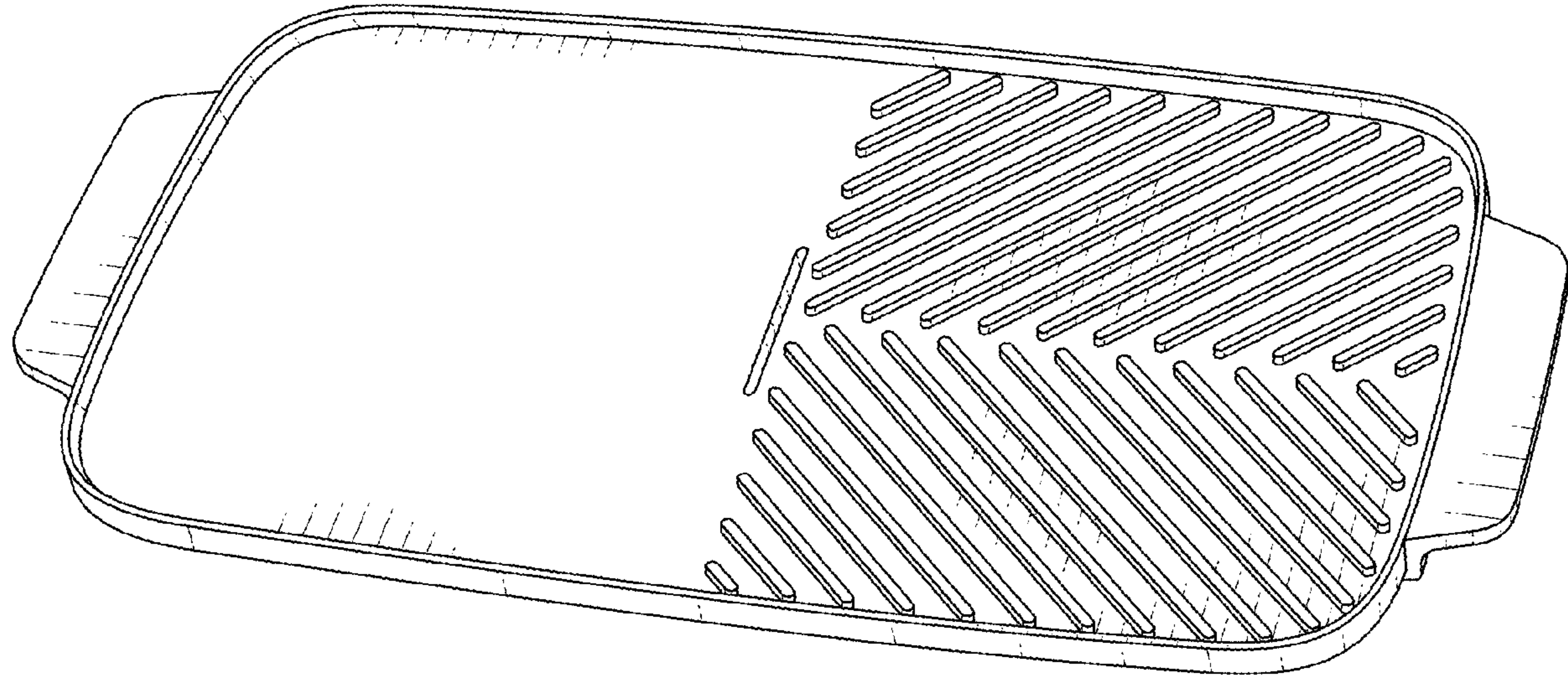
(56) **References Cited**
U.S. PATENT DOCUMENTS
D286,494 S * 11/1986 Lastuck D7/363
D365,495 S * 12/1995 O'Higgins D7/354
5,884,555 A * 3/1999 Chang A47J 37/067
99/400
6,131,505 A * 10/2000 Lin A47J 37/041
403/386
D441,250 S * 5/2001 Choi D7/362
D570,154 S * 6/2008 Wang D7/359
D600,070 S * 9/2009 Kellermann D7/409
D668,506 S * 10/2012 Zemel D7/409
D709,727 S * 7/2014 Cloutier D7/354
D734,987 S * 7/2015 Coats D7/359
D760,018 S * 6/2016 Koszylko D7/352
D825,979 S * 8/2018 Levy D7/359
D829,052 S * 9/2018 Gamble D7/409

* cited by examiner
Primary Examiner — Ricky Pham
(74) *Attorney, Agent, or Firm* — Morgan, Lewis & Bockius LLP

(57) **CLAIM**
The ornamental design for a cooking plate, as shown and described.

DESCRIPTION
FIG. 1 is a front view of a cooking plate, showing our new design;
FIG. 2 is rear view thereof;
FIG. 3 is first side view thereof;
FIG. 4 is second side view thereof;
FIG. 5 is a top view thereof;
FIG. 6 is bottom view thereof; and,
FIG. 7 is a perspective view thereof.

1 Claim, 7 Drawing Sheets



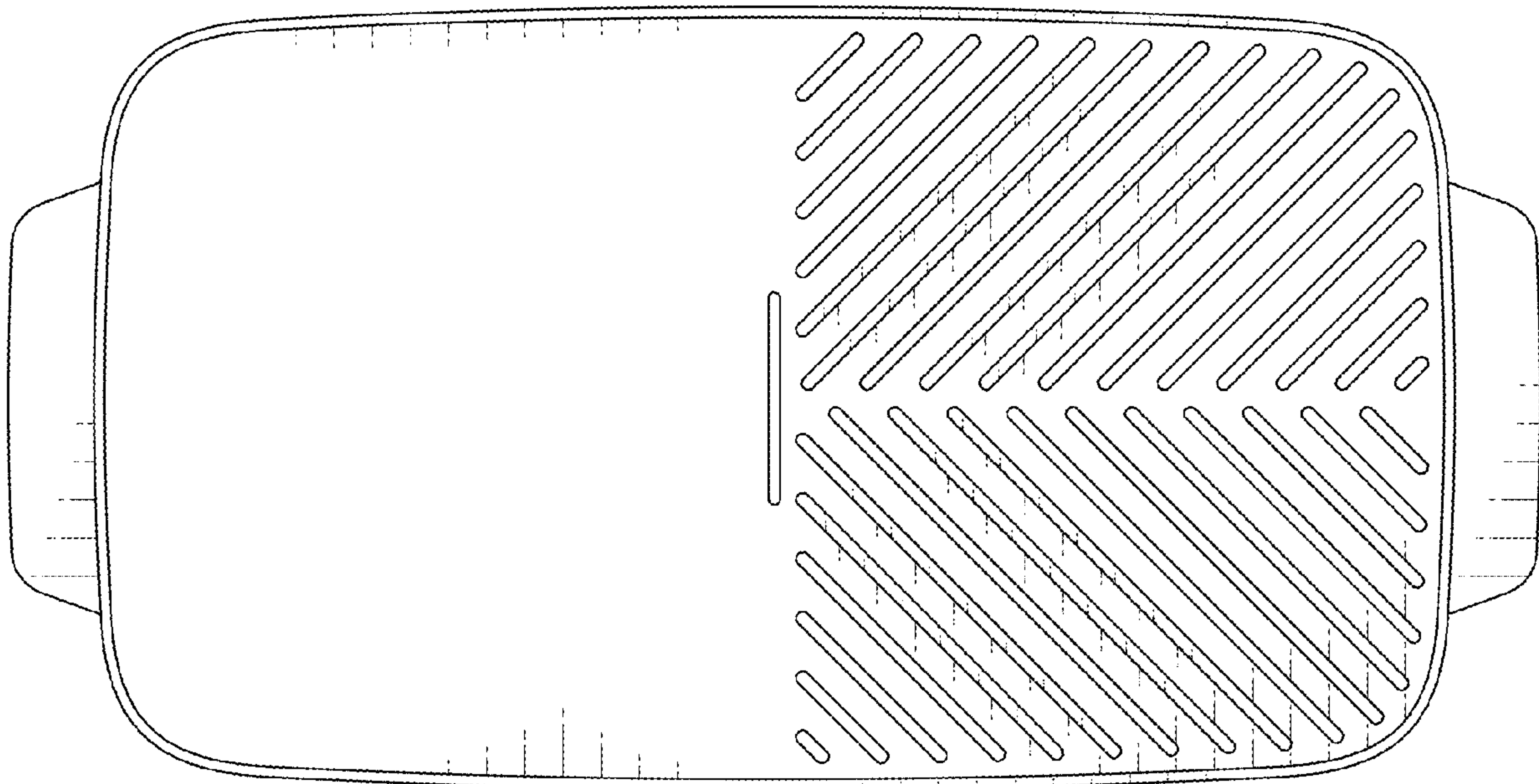


FIG. 1

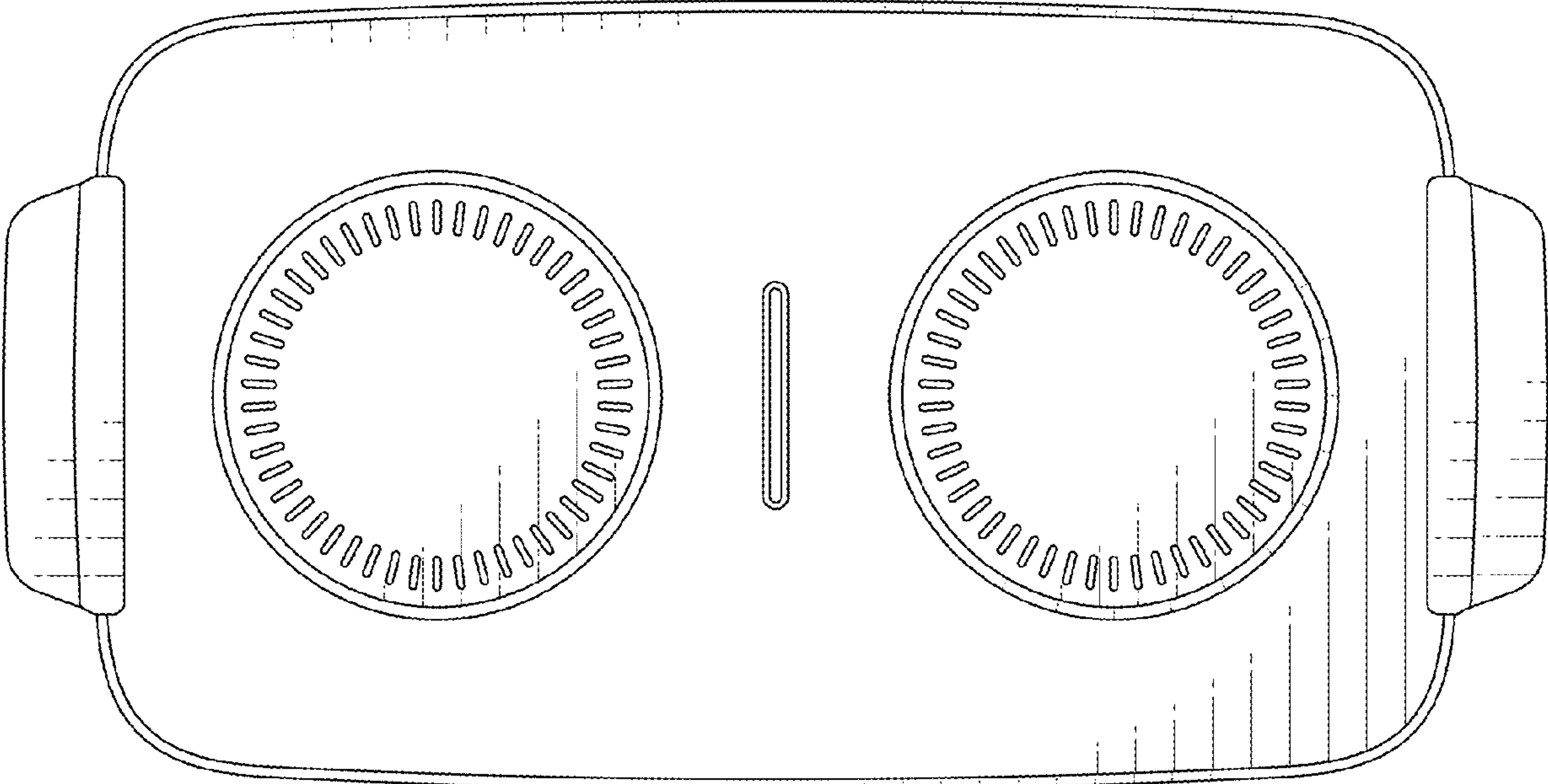


FIG. 2

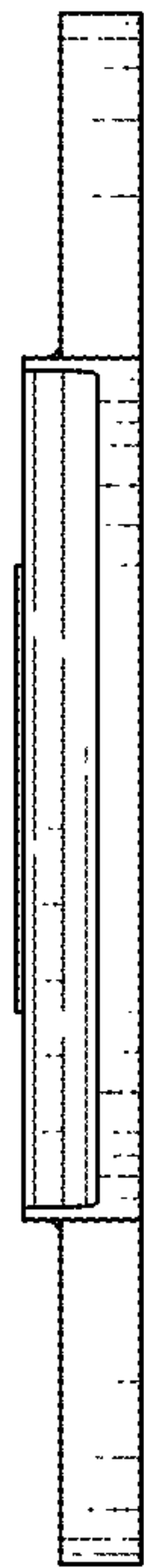


FIG. 3

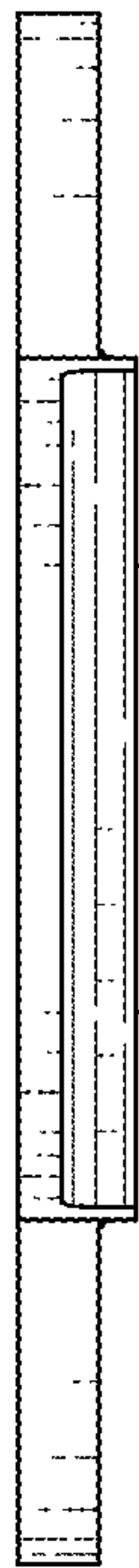


FIG. 4

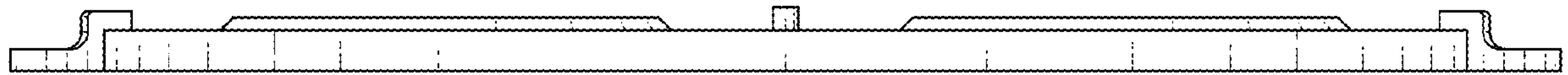


FIG. 5



FIG. 6

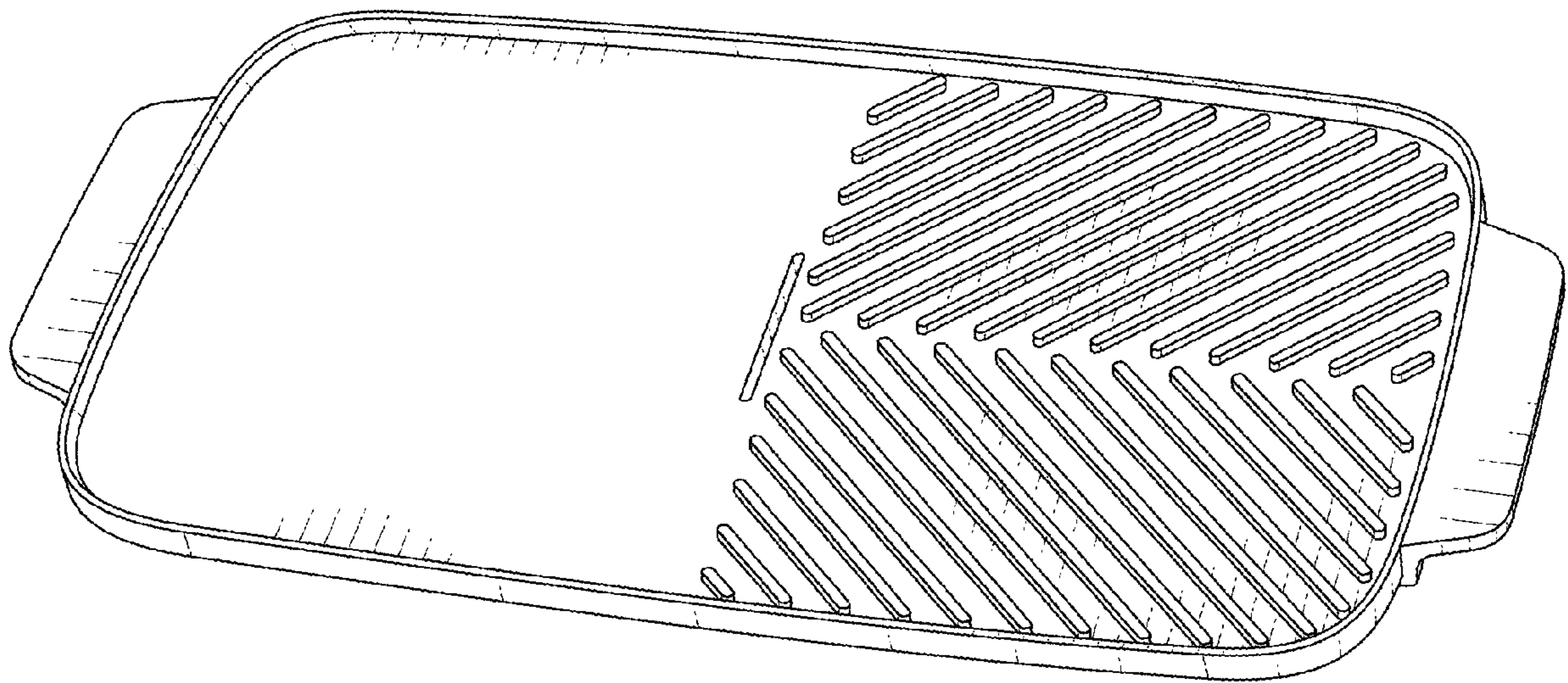


FIG. 7