



US00D880930S

(12) **United States Design Patent** (10) **Patent No.:** **US D880,930 S**
Zhang (45) **Date of Patent:** **** Apr. 14, 2020**

(54) **COOKER**

(56) **References Cited**

(71) Applicant: **Guangdong Midea Consumer Electric Manufacturing Co., Ltd.**, Foshan (CN)

U.S. PATENT DOCUMENTS

(72) Inventor: **Mengmeng Zhang**, Foshan (CN)

D537,670 S *	3/2007	Genslak	D7/354
D556,504 S *	12/2007	Averty	D7/360
D620,744 S *	8/2010	Rose	D7/354
D644,476 S *	9/2011	Gregory	D7/354
D646,114 S *	10/2011	Wong	D7/354
D657,993 S *	4/2012	Pantaleo	D7/354
D697,363 S *	1/2014	Tu	D7/354
D820,631 S *	6/2018	Ye	D7/357
D830,106 S *	10/2018	Zhang	D7/357
D833,802 S *	11/2018	Yang	D7/357
D846,332 S *	4/2019	Gill	D7/357
D846,333 S *	4/2019	Gill	D7/357
D846,334 S *	4/2019	Gill	D7/357

(73) Assignee: **GUANGDONG MIDEA CONSUMER ELECTRIC MANUFACTURING CO., LTD.**, Foshan (CN)

(**) Term: **15 Years**

(21) Appl. No.: **29/672,743**

(22) Filed: **Dec. 7, 2018**

* cited by examiner

(30) **Foreign Application Priority Data**

Primary Examiner — Ricky Pham

Jul. 4, 2018 (CN) 2018 3 0357279

(74) *Attorney, Agent, or Firm* — Morgan, Lewis & Bockius LLP

(51) **LOC (12) Cl.** **07-02**

(57) **CLAIM**

(52) **U.S. Cl.**

The ornamental design for a cooker, as shown and described.

USPC **D7/357**; D7/354

(58) **Field of Classification Search**

DESCRIPTION

USPC D7/323, 354–361

CPC A23L 1/01; A23L 1/0107; A23L 1/0114;

FIG. 1 is a front view of a cooker, showing my new design;

FIG. 2 is rear view thereof;

FIG. 3 is first side view thereof;

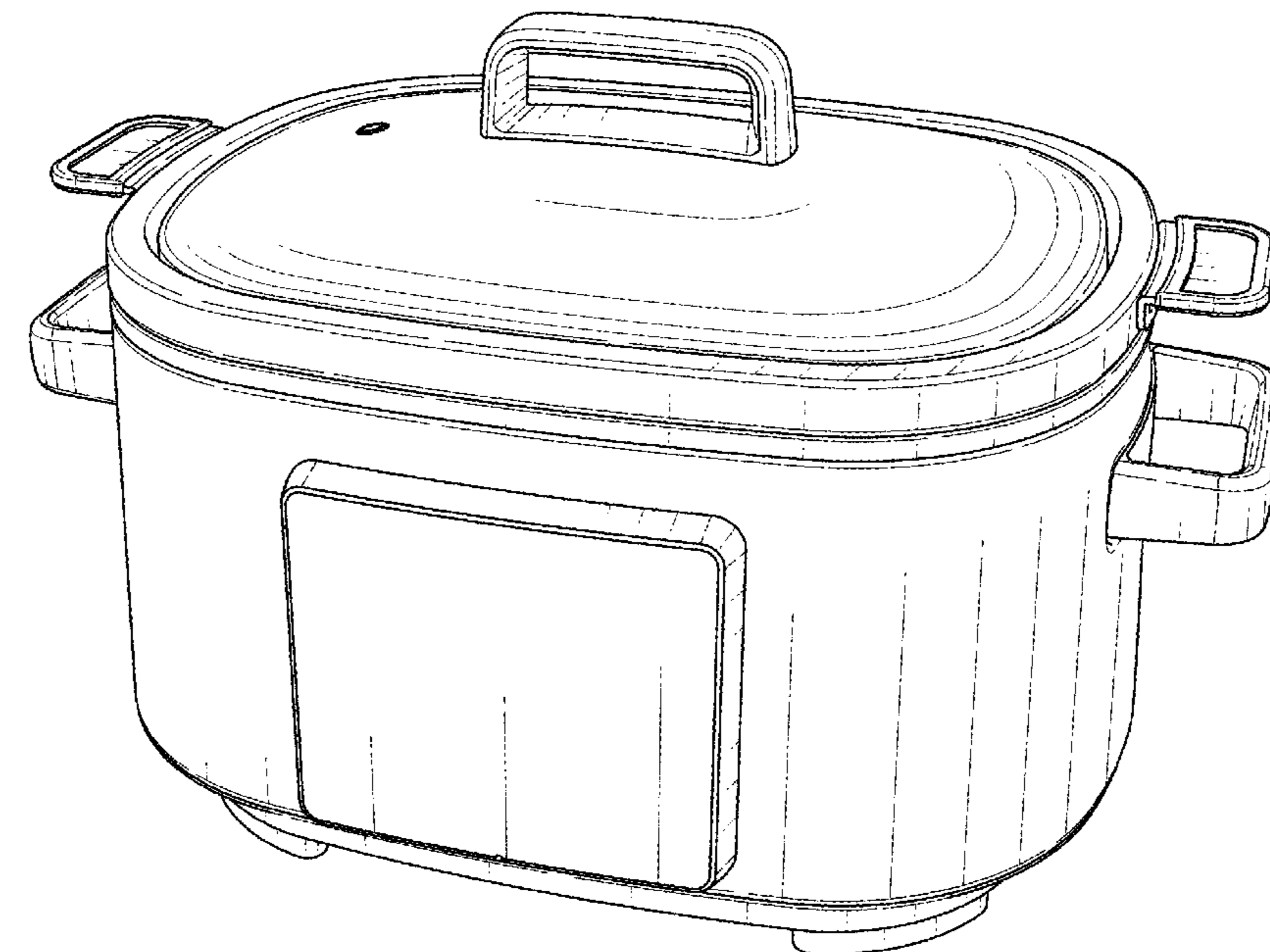
FIG. 4 is second side view thereof;

FIG. 5 is a top view thereof;

FIG. 6 is bottom view thereof; and,

FIG. 7 is a perspective view thereof.

The broken lines immediately adjacent the shaded areas represent the bounds of the claimed design while all other broken lines are directed to unclaimed portions; the broken lines form no part of the claimed design.



See application file for complete search history.

1 Claim, 7 Drawing Sheets

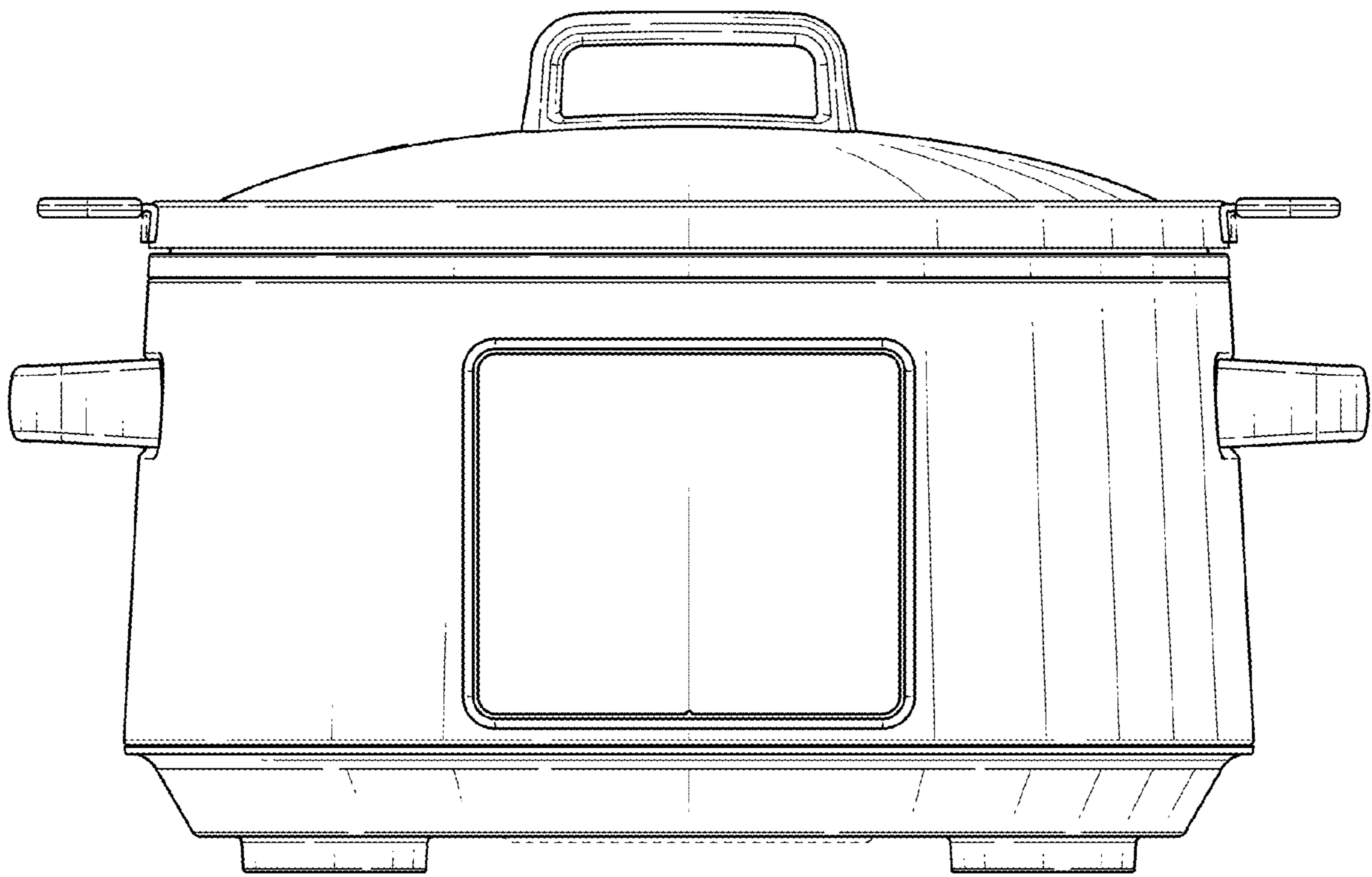


FIG. 1

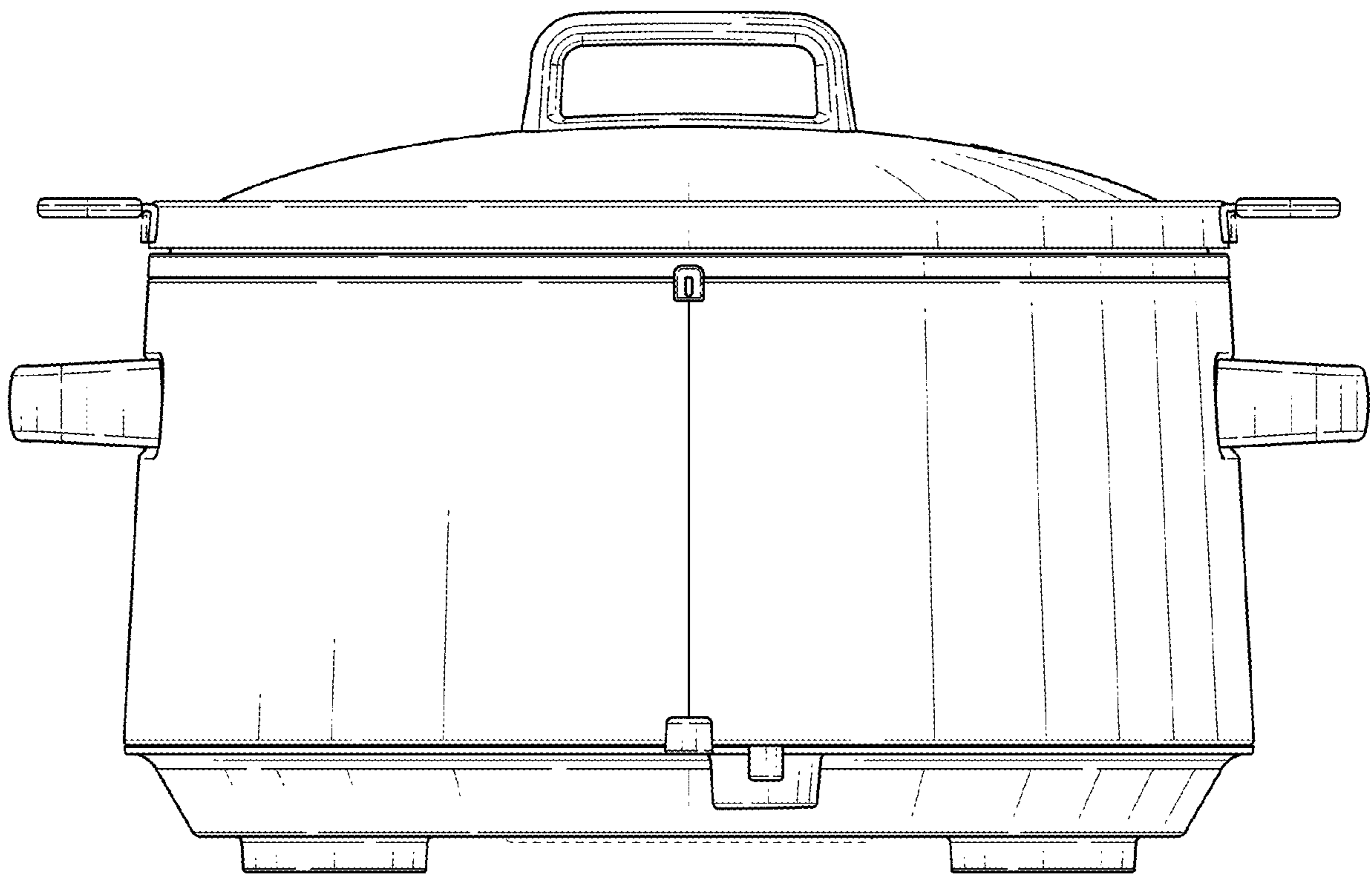


FIG. 2

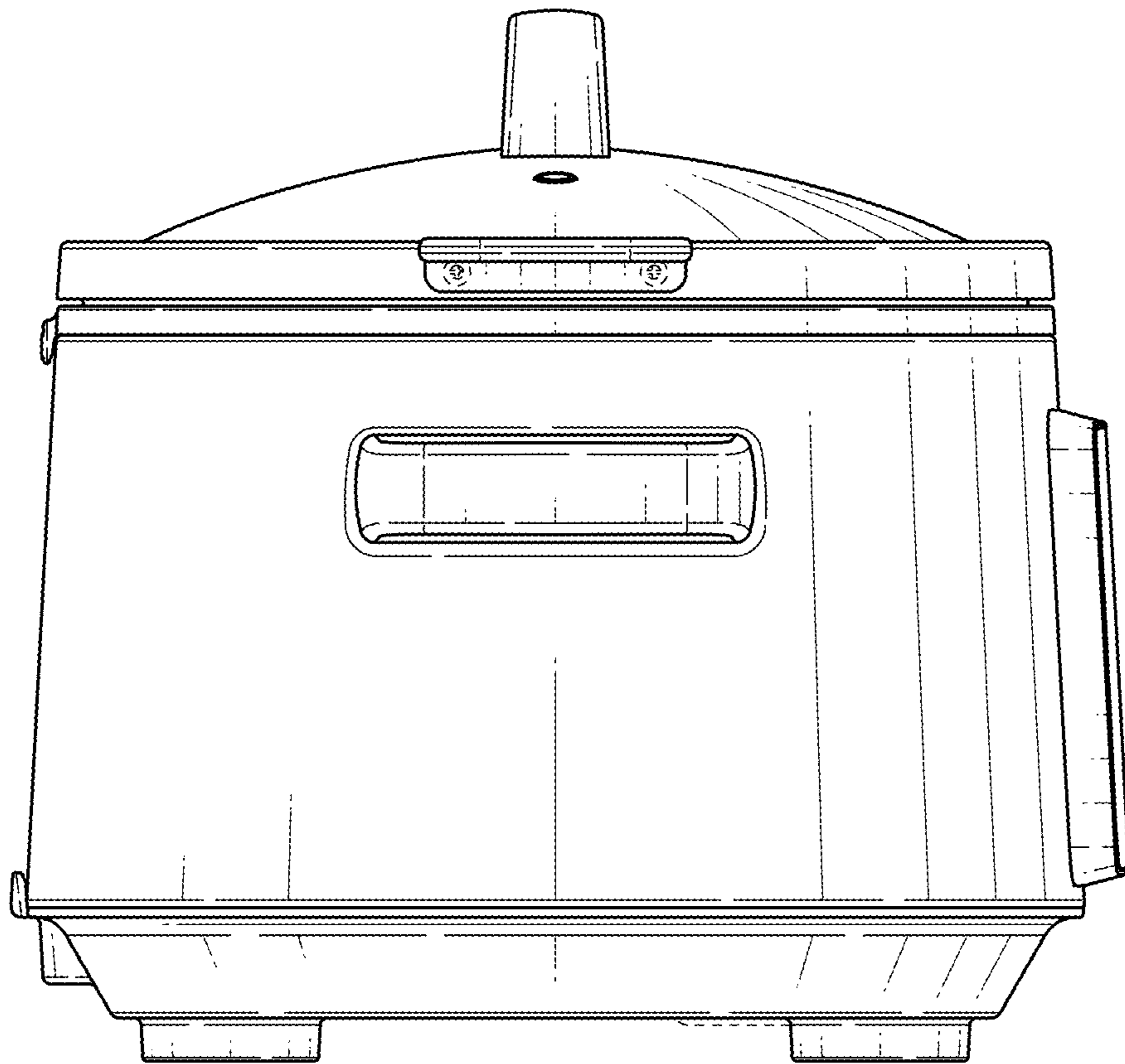


FIG. 3

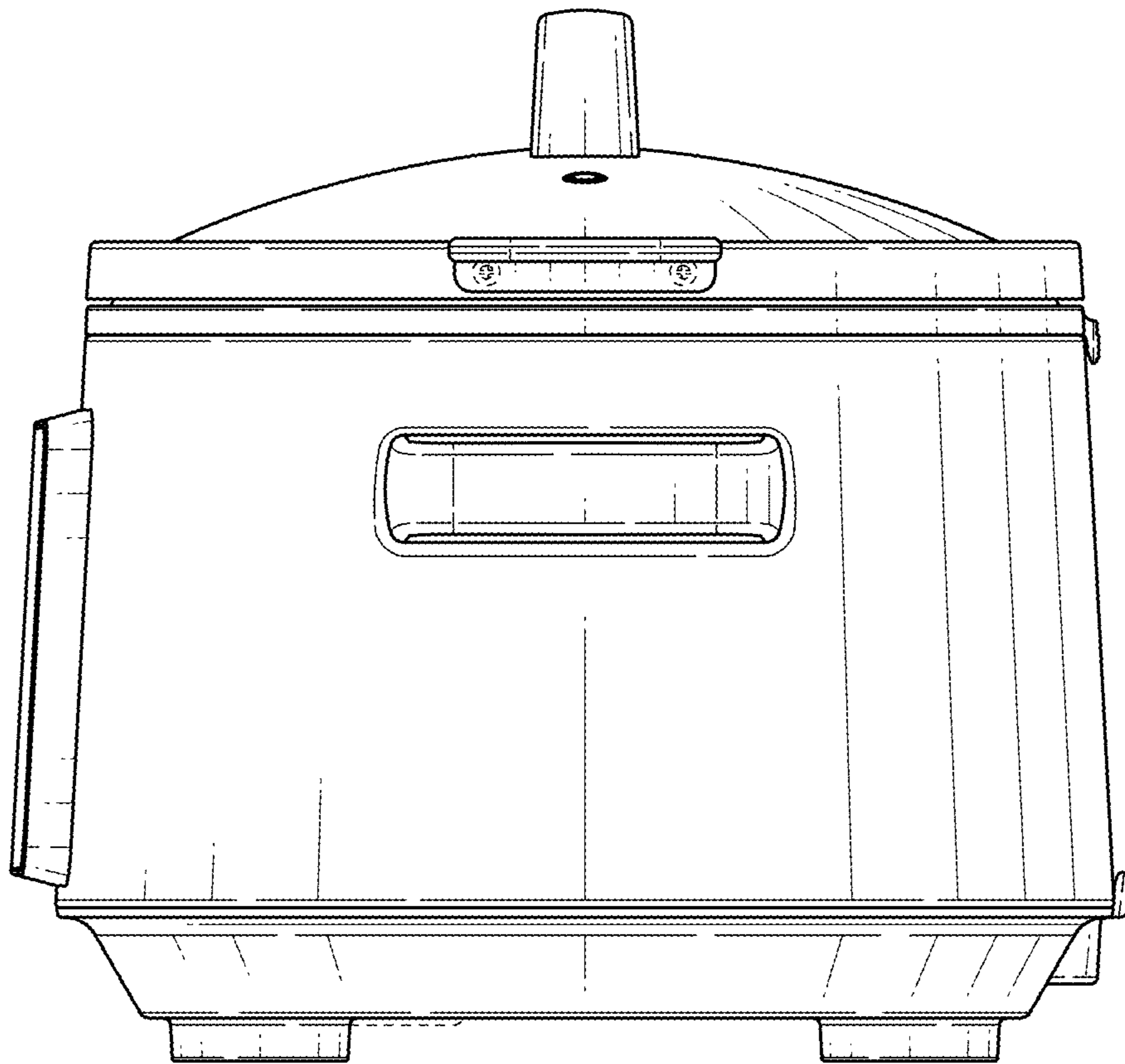


FIG. 4

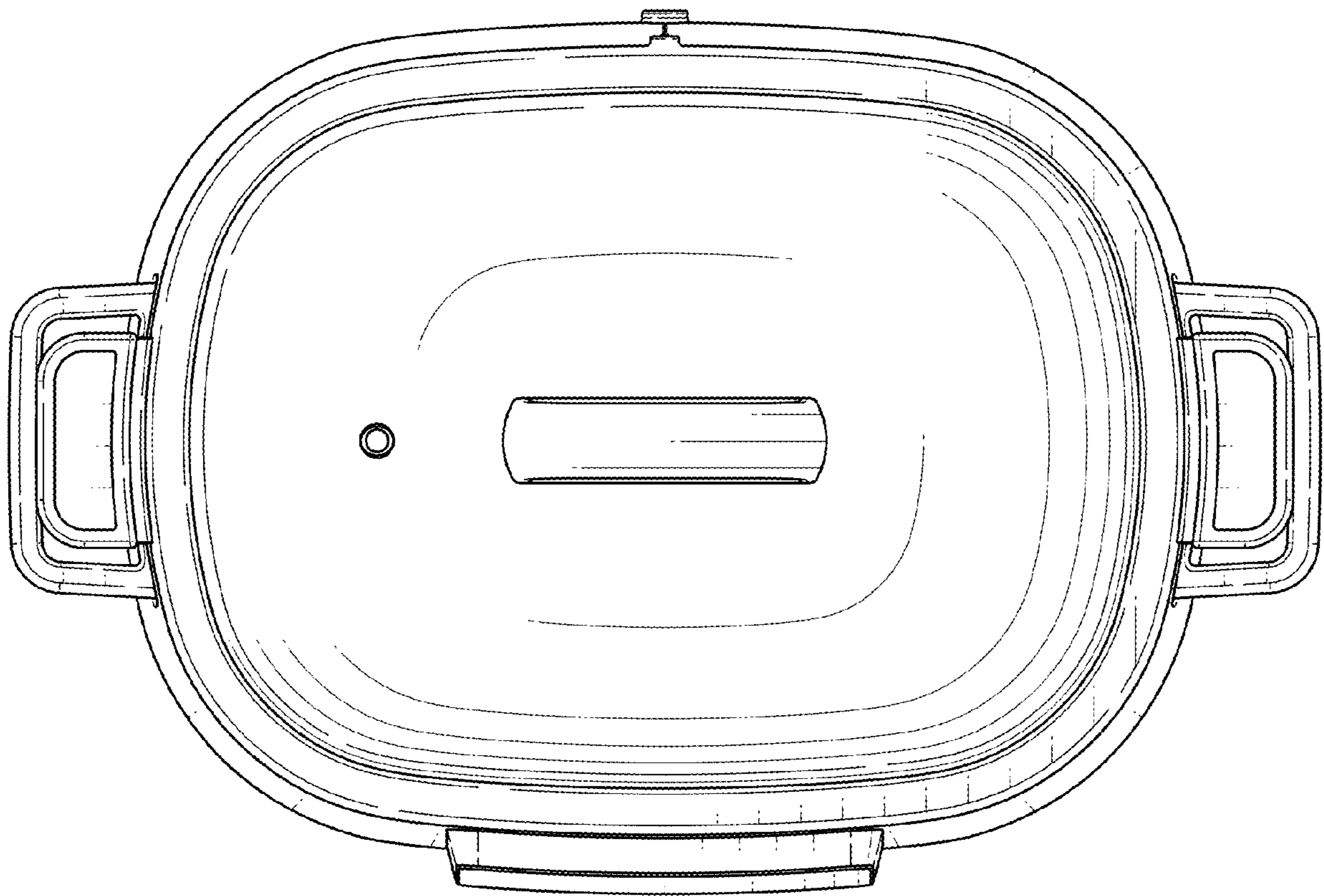


FIG. 5

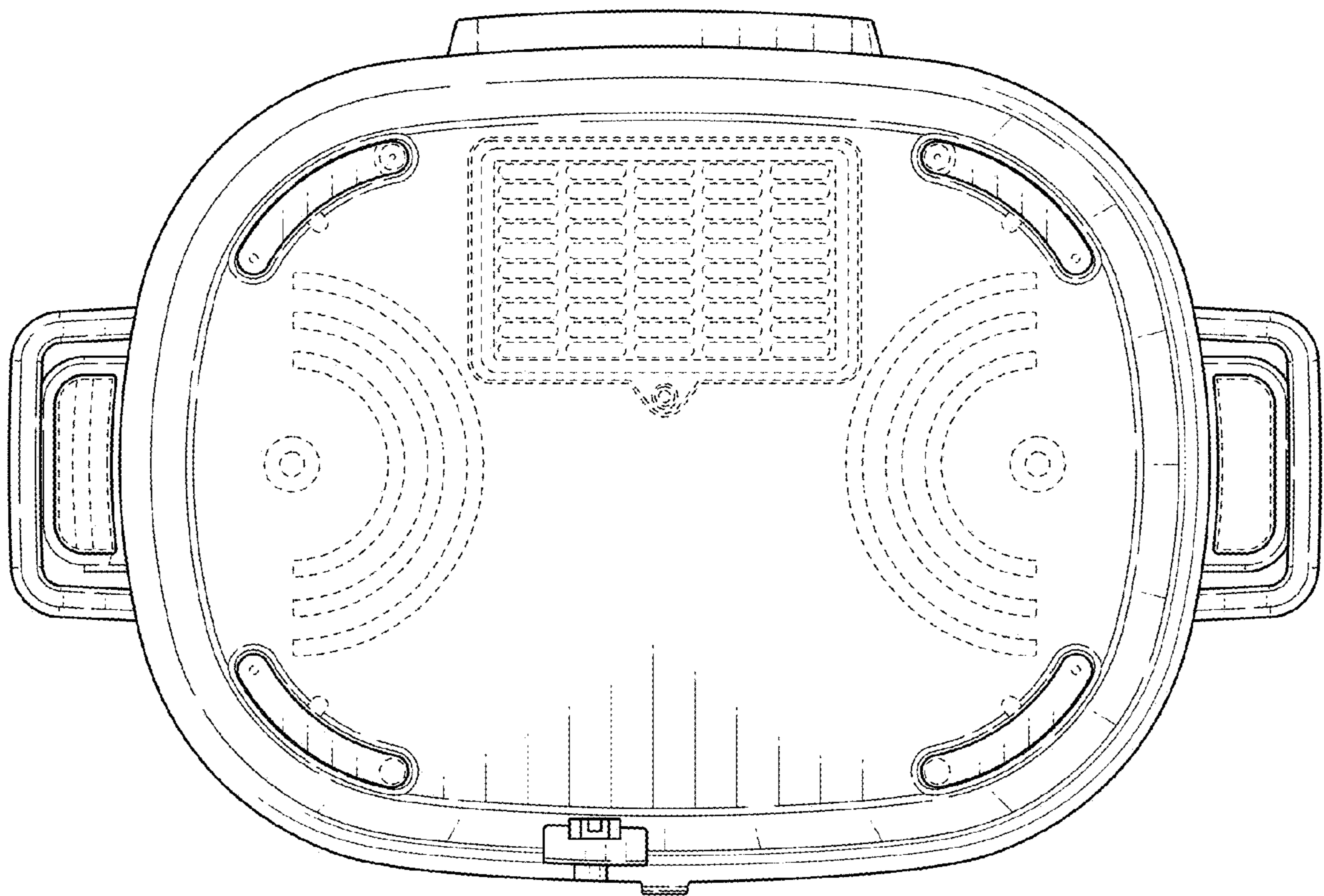


FIG. 6

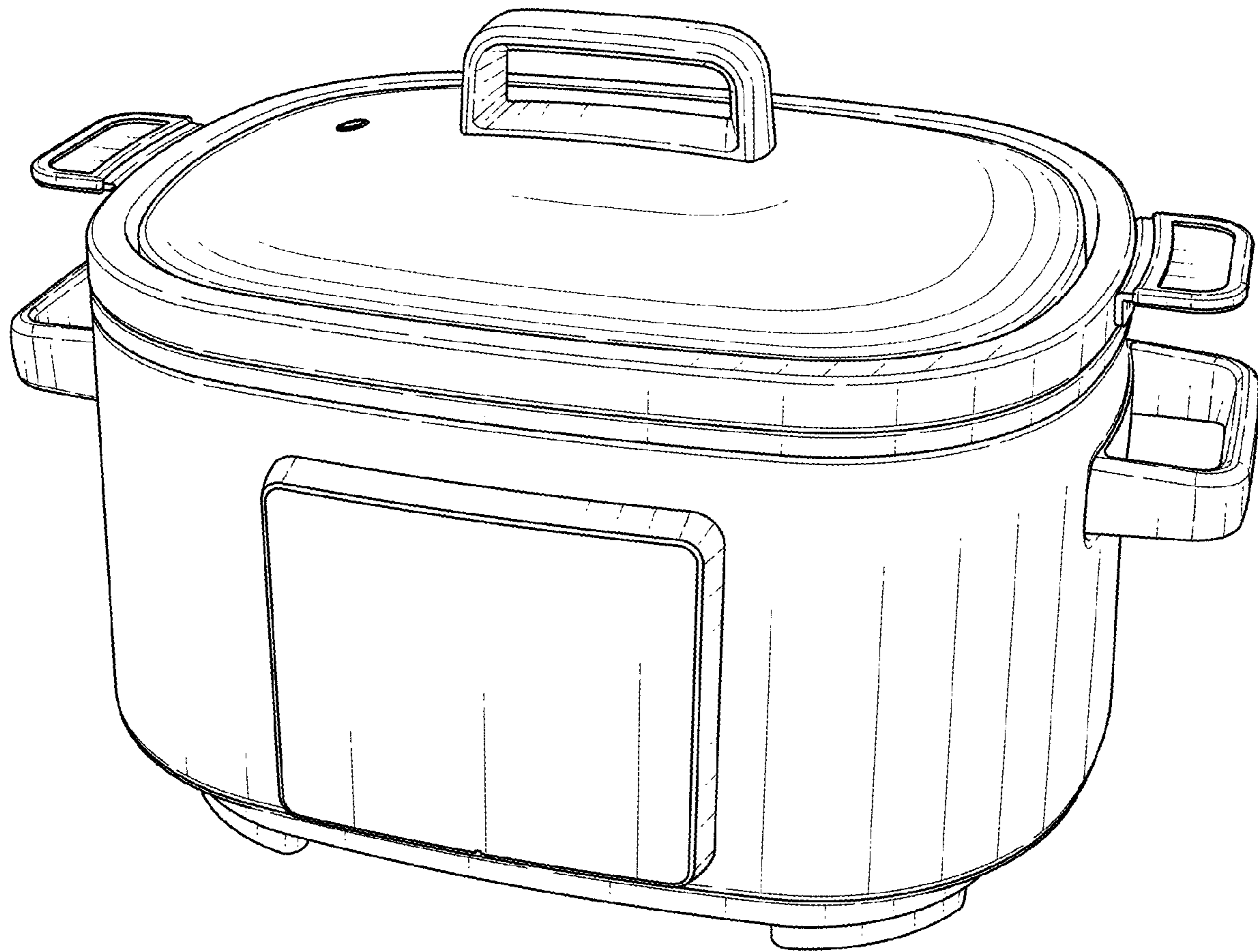


FIG. 7