



US00D880929S

(12) **United States Design Patent**  
**Demers**

(10) **Patent No.:** **US D880,929 S**  
(45) **Date of Patent:** **\*\* Apr. 14, 2020**

(54) **BAKING DISH**

(71) Applicant: **ANCHOR HOCKING, LLC**,  
Columbus, OH (US)

(72) Inventor: **Brian Joseph Demers**, Charlotte, NC  
(US)

(73) Assignee: **ANCHOR HOCKING LLC**,  
Columbus, OH (US)

(\*\*) Term: **15 Years**

(21) Appl. No.: **29/709,631**

(22) Filed: **Oct. 16, 2019**

**Related U.S. Application Data**

(63) Continuation of application No. 29/628,157, filed on  
Dec. 1, 2017, now Pat. No. Des. 867,802.

(51) **LOC (12) Cl.** ..... **07-02**

(52) **U.S. Cl.**  
USPC ..... **D7/354**

(58) **Field of Classification Search**

USPC ..... D7/323, 354-361, 523, 526, 530, 540,  
D7/543, 545, 549, 550.1, 553.1-553.8,  
D7/554.1-554.4, 555, 558, 562, 564, 584,  
D7/586; D9/429-434, 455-456, 566,  
D9/737, 756-762  
CPC .... A21B 3/00; A21B 3/13; A21B 3/15; A21B  
3/134; A21B 5/00; A21B 5/02; A47J  
36/022; A47J 36/025; A47J 36/027; A47J  
37/00; A47J 37/04; B65D 1/22; B65D  
1/24; B65D 1/26; B65D 1/34; B65D  
1/36; B65D 81/343; B65D 85/36

See application file for complete search history.

(56) **References Cited**

**U.S. PATENT DOCUMENTS**

D47,285 S 5/1915 Ebeling  
D55,759 S \* 7/1920 Ebeling ..... D7/562

D63,039 S 9/1923 Oldham  
D116,790 S 7/1939 Barbiers  
D120,227 S \* 4/1940 May ..... D7/562  
D189,648 S \* 1/1961 Wish ..... D7/540  
D212,812 S 11/1968 Benes  
D213,841 S \* 4/1969 Benes ..... D7/562

(Continued)

**OTHER PUBLICATIONS**

Diamond Patterned Glass, Close up shot of the surface of a fancy  
glass bottle, downloaded Feb. 2, 2018 from <https://www.featurepics.com/online/Diamond-Patterned-Glass-Pictures199847.aspx>, dated 2007,  
3 pgs.

(Continued)

*Primary Examiner* — Ricky Pham

(74) *Attorney, Agent, or Firm* — Tucker Ellis LLP; Carlos  
Garritano

(57) **CLAIM**

The ornamental design for a baking dish, as shown and  
described.

**DESCRIPTION**

FIG. 1 is a top perspective view of an embodiment of a  
baking dish.

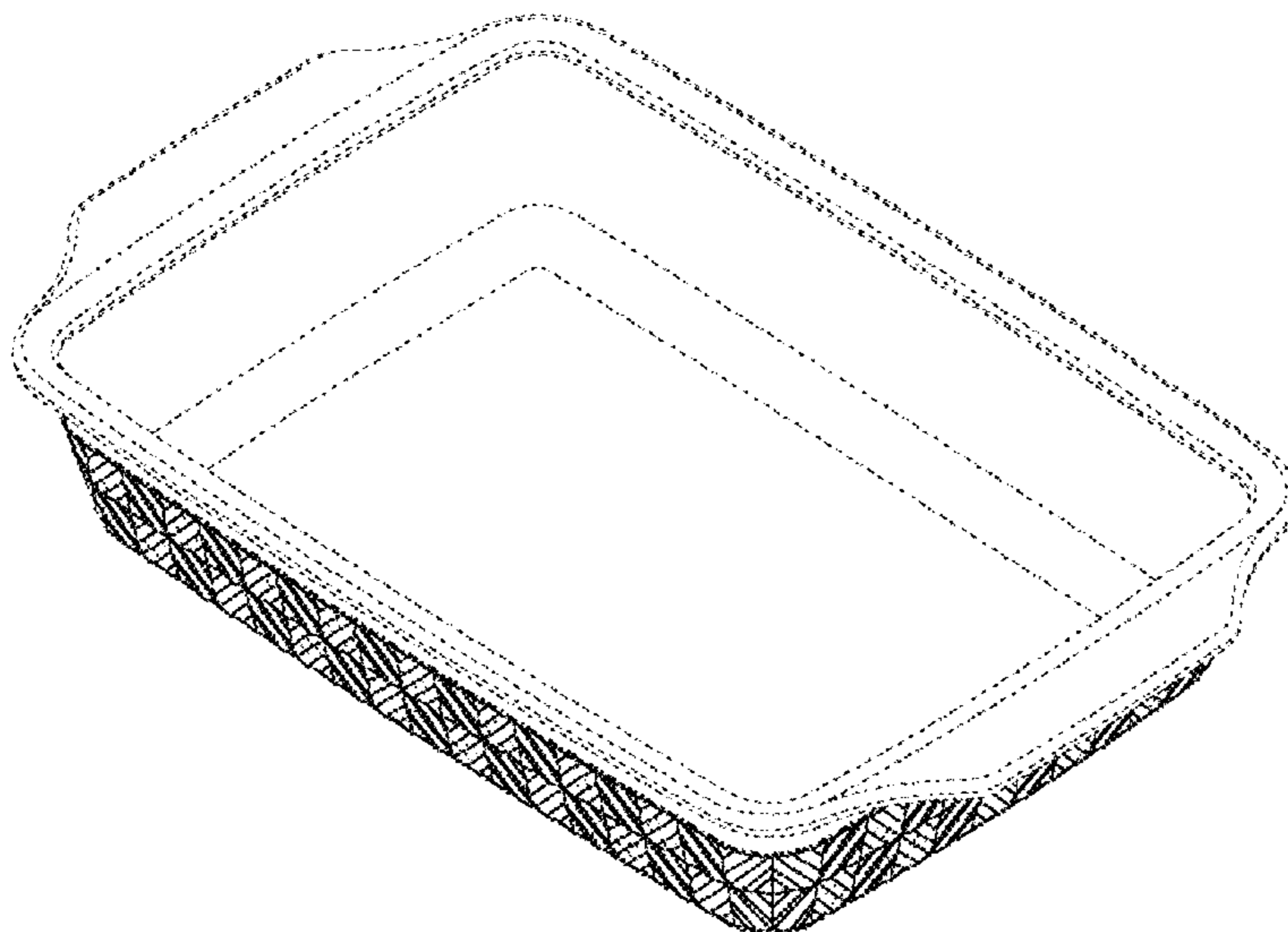
FIG. 2 is a front view thereof, the opposite rear view being  
a mirror image thereof.

FIG. 3 is a side view thereof, the opposite side view being  
a mirror image thereof.

FIG. 4 is a top view thereof; and,  
FIG. 5 is a bottom view thereof.

The evenly-spaced broken lines in the drawings are included  
for purpose of illustrating portions of the baking dish that  
form no part of the claimed design. The dot-dash-dot broken  
lines in the drawings are included for the purpose of defining  
the boundary of the claim, it being understood that the  
dot-dash-dot broken lines themselves form no part of the  
claimed design.

**1 Claim, 4 Drawing Sheets**



(56)

References Cited

U.S. PATENT DOCUMENTS

D215,745 S \* 10/1969 Benes ..... D7/562  
 D241,265 S \* 8/1976 Rothauer ..... D26/11  
 D249,919 S \* 10/1978 Thrush ..... D7/530  
 D266,724 S \* 11/1982 Durand ..... D7/526  
 D269,931 S 8/1983 Durand  
 D270,417 S \* 9/1983 Thrush ..... D7/562  
 4,446,969 A \* 5/1984 Tyler ..... B65D 1/26  
 206/519  
 D288,065 S \* 2/1987 Tyler ..... D9/429  
 D289,125 S \* 4/1987 Durand ..... D7/530  
 D292,158 S \* 10/1987 Thrush ..... D7/530  
 D292,486 S \* 10/1987 Tyler ..... D7/530  
 D293,993 S \* 2/1988 Durand ..... D7/562  
 D297,089 S \* 8/1988 West ..... D7/523  
 D354,884 S \* 1/1995 Carranza ..... D2/500  
 D386,407 S \* 11/1997 Gutting ..... D9/434  
 D389,415 S \* 1/1998 Luh ..... D9/566  
 D418,017 S 12/1999 Henry  
 D513,375 S \* 1/2006 Rocha ..... D7/558  
 D517,865 S 3/2006 Rocha  
 D599,609 S 9/2009 Ruffoni

D629,246 S \* 12/2010 Ruffoni ..... D7/354  
 D750,420 S \* 3/2016 Hu ..... D7/354  
 D829,036 S \* 9/2018 Garcia Luna ..... D7/360  
 D835,934 S 12/2018 Demers  
 D835,935 S 12/2018 Demers  
 D836,382 S 12/2018 Demers  
 D842,641 S 3/2019 Demers  
 D867,802 S \* 11/2019 Demers ..... D7/354  
 D869,221 S \* 12/2019 Demers ..... D7/354

OTHER PUBLICATIONS

Glass texture with a pattern of rhombuses. Clear glass diamond shape. Downloaded Feb. 2, 2018 from <https://www.dreamstime.com/stock-photo-glass-texture-pattern-rhombuses-clear-glass-diamond-shape-closeup-image64418056>, dated Oct. 2017, 3 pgs.  
 Pineapple Succulent Planter. Downloaded Feb. 2, 2018 from <http://www.doodlecrafterblog.com/2017/03/pineapple-succulent-planter.html>, dated Mar. 20, 2017, 12 pgs.  
 Hatch Rocks Glass, by Crate and Barrel, downloaded Feb. 2, 2018 from <https://www.pinterest.com/pin/196821446191571421/?lp=true>, dated Oct. 2017, 1 pg.

\* cited by examiner

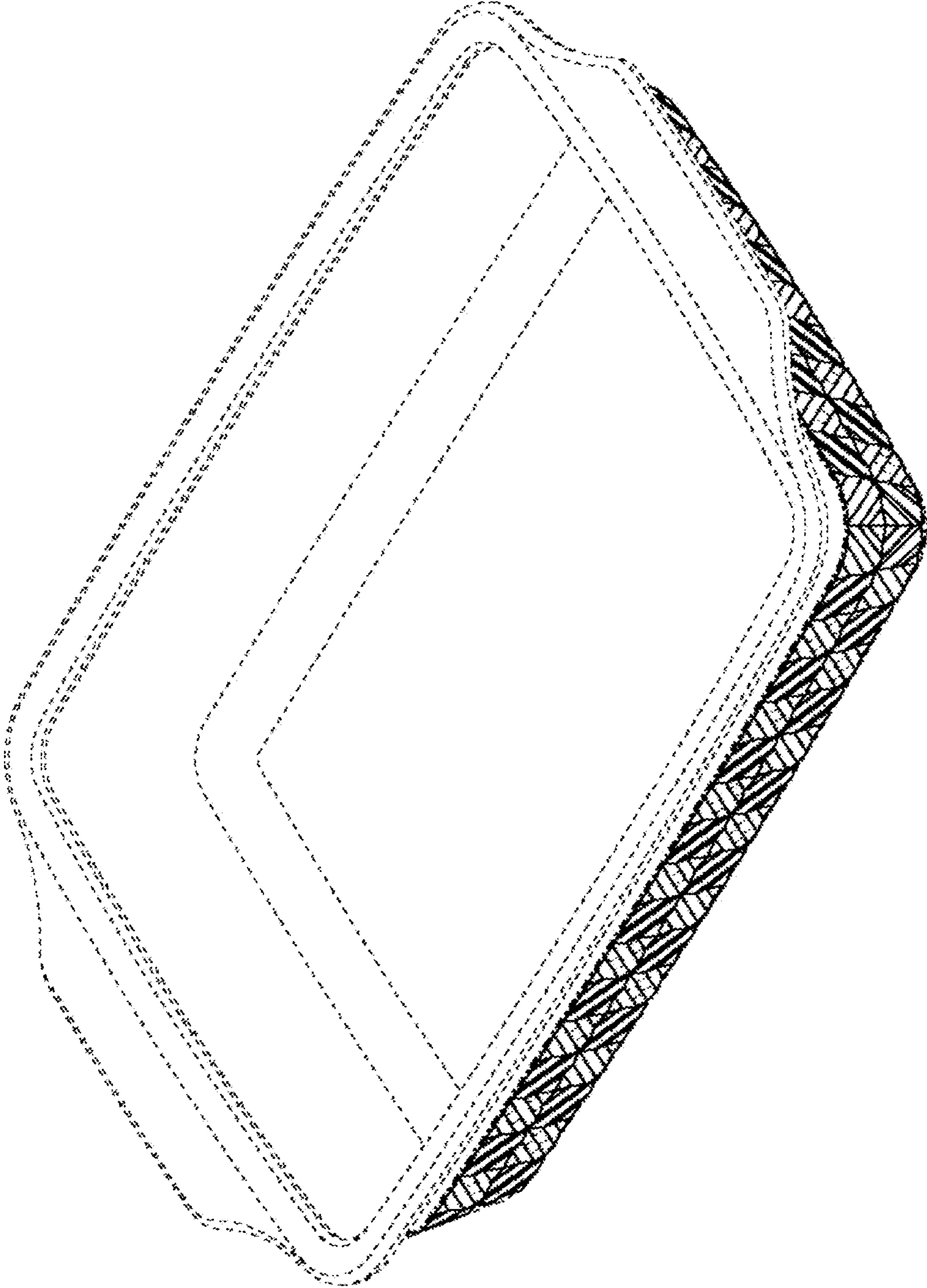


FIG. 1

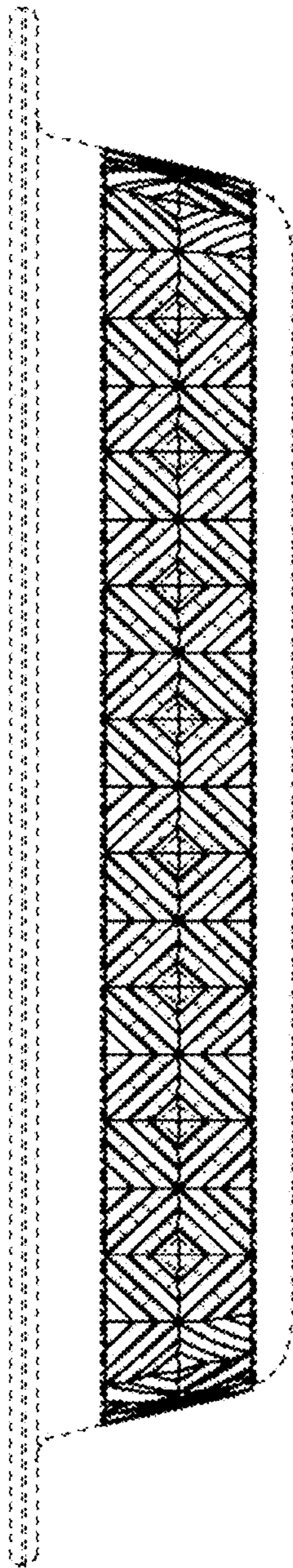


FIG. 2

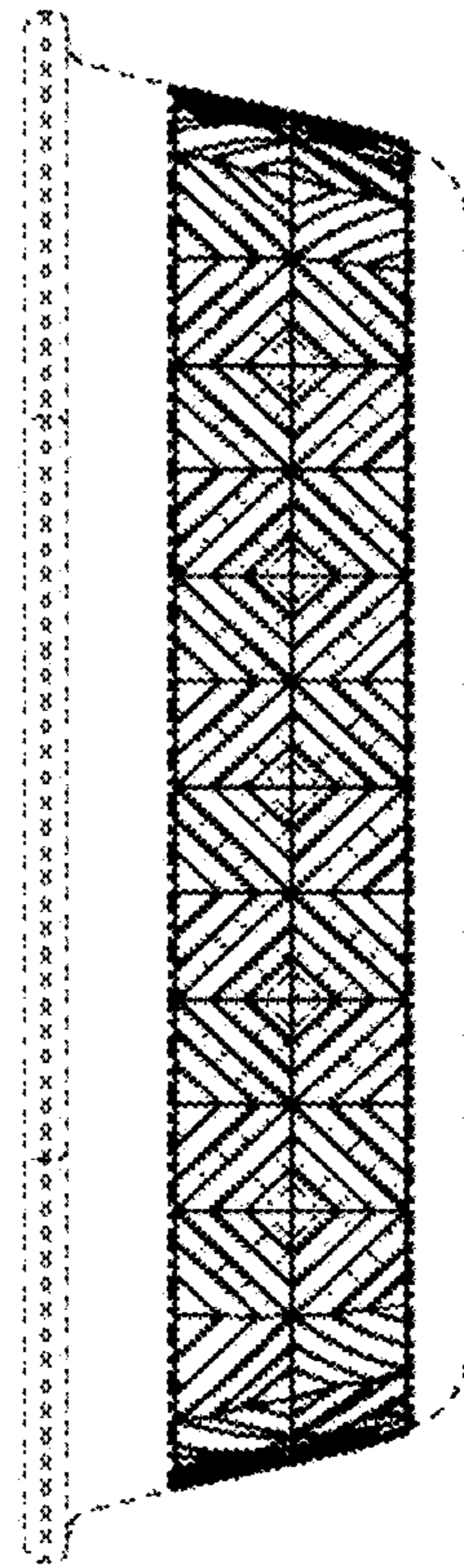


FIG. 3

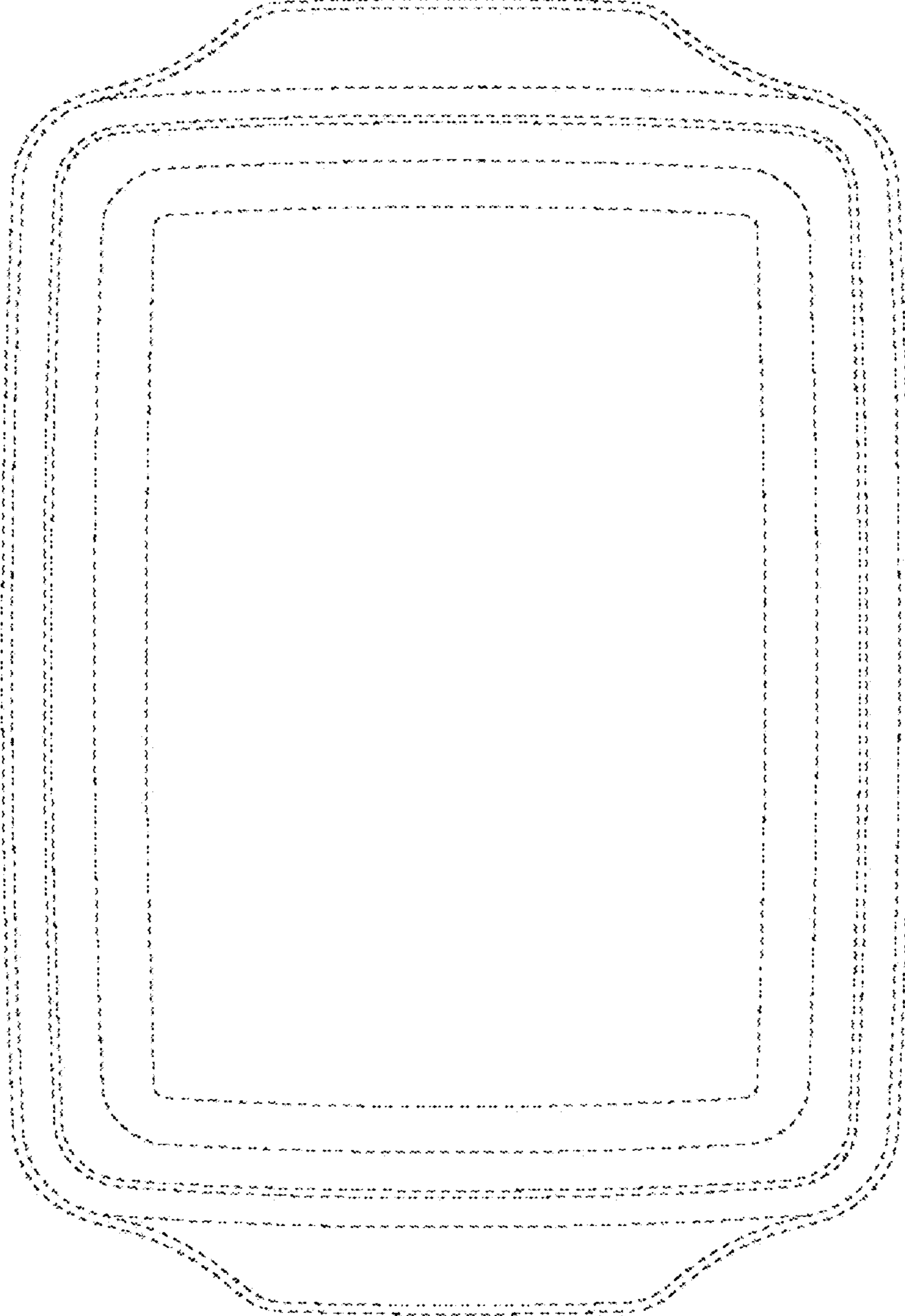


FIG. 4

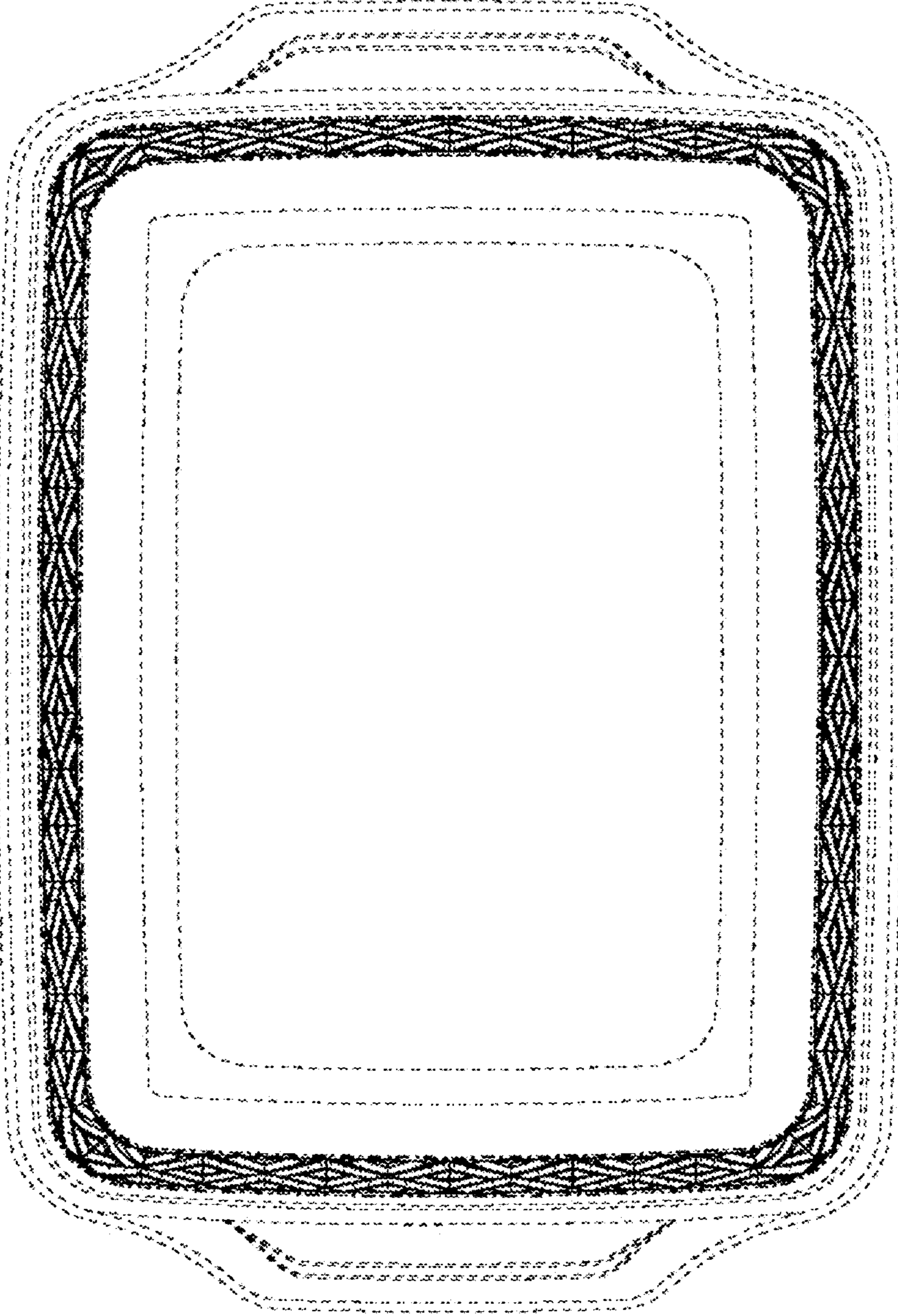


FIG. 5