



US00D880928S

(12) **United States Design Patent**
Jones

(10) **Patent No.:** **US D880,928 S**
(45) **Date of Patent:** **** Apr. 14, 2020**

(54) **ROTISSERIE MACHINE**

(71) Applicant: **L & W HOLDING UG**, Unkel (DE)

(72) Inventor: **Oliver William Jones**, Nackenheim (DE)

(**) Term: **15 Years**

(21) Appl. No.: **35/506,614**

(22) Filed: **Jul. 26, 2018**

(80) **Hague Agreement Data**

Int. Filing Date: **Jul. 26, 2018**

Int. Reg. No.: **DM/200057**

Int. Reg. Date: **Jul. 26, 2018**

Int. Reg. Pub. Date: **Feb. 1, 2019**

(51) **LOC (12) Cl.** **07-02**

(52) **U.S. Cl.**
USPC **D7/338**

(58) **Field of Classification Search**

USPC D7/323, 331, 338, 339, 347, 348

CPC A21B 1/06; A21B 1/44; A21B 1/46; A21B 2/00; A21B 1/24; A47J 37/00; A47J 37/06; A47J 37/047; A47J 37/049

See application file for complete search history.

(56) **References Cited**

U.S. PATENT DOCUMENTS

D80,407 S *	1/1930	Xippas	D7/331
D230,340 S *	2/1974	Headberg	D7/331
D232,510 S *	8/1974	Liakouras et al.	D7/331
D262,709 S *	1/1982	Williams	99/421 V
D262,710 S *	1/1982	Williams	D7/331
D393,178 S *	4/1998	Su	D7/338
D471,756 S *	3/2003	Joosten	D7/338
D629,245 S *	12/2010	Lin	D7/338
D780,503 S *	3/2017	Junesand	A21B 1/44
				D7/339
9,655,473 B2 *	5/2017	Johnson	A47J 37/128
9,961,906 B2 *	5/2018	Engstrom	A21B 1/44
D825,983 S *	8/2018	Kraemer	D7/373
D847,557 S *	5/2019	Kraemer	D7/373
D851,980 S *	6/2019	Fitzgerald	D7/355

OTHER PUBLICATIONS

Large Commercial Kitchen Chicken Rotisserie Oven. Undated; one page. Screenshot found online Oct. 22, 2019 at <https://www.machines4u.com.au/view/advert/Large-Commercial-Kitchen-Chicken-Rotisserie-Oven/494095/>.*

Stainless Steel Commercial Charcoal Chicken Rotisserie. Undated; 6 pages. Found online Oct. 22, 2019 at https://honglian.en.alibaba.com/product/60621848347-805086906/Stainless_Steel_Commercial_Charcoal_Chicken_Rotisserie_Chicken_Rotisserie_For_Sale.html.*

Chicken hanging stove grilled fish grilled lamb leg double with roast goose commercial roast duck oven electric roast pork roast chicken furnace vertical. Undated; one page. Found online Oct. 22, 2019 at <https://www.yoycart.com/Product/599384403432/>.*

Two rotating skewered chicken and lamb meat grilled in stainless steel grill . . . Undated; 5 pages. Found online Dec. 23, 2019 at <https://www.shutterstock.com/image-photo/two-rotating-skewered-chicken-lamb-meat-775204798>.*

Rotary Grill Gas Commercial Charcoal Stainless Steel Barbecue Machine Oven Chicken Rotisserie. Dated Nov. 12, 2018; one page. Screenshot found online Oct. 22, 2019 at <http://stillstudio.me/rotary-grill/rotary-grill-gas-commecial-charcoal-stainless-steel-barbecue-machine-oven-chicken-rotisserie/>.*

* cited by examiner

Primary Examiner — Robert M. Spear

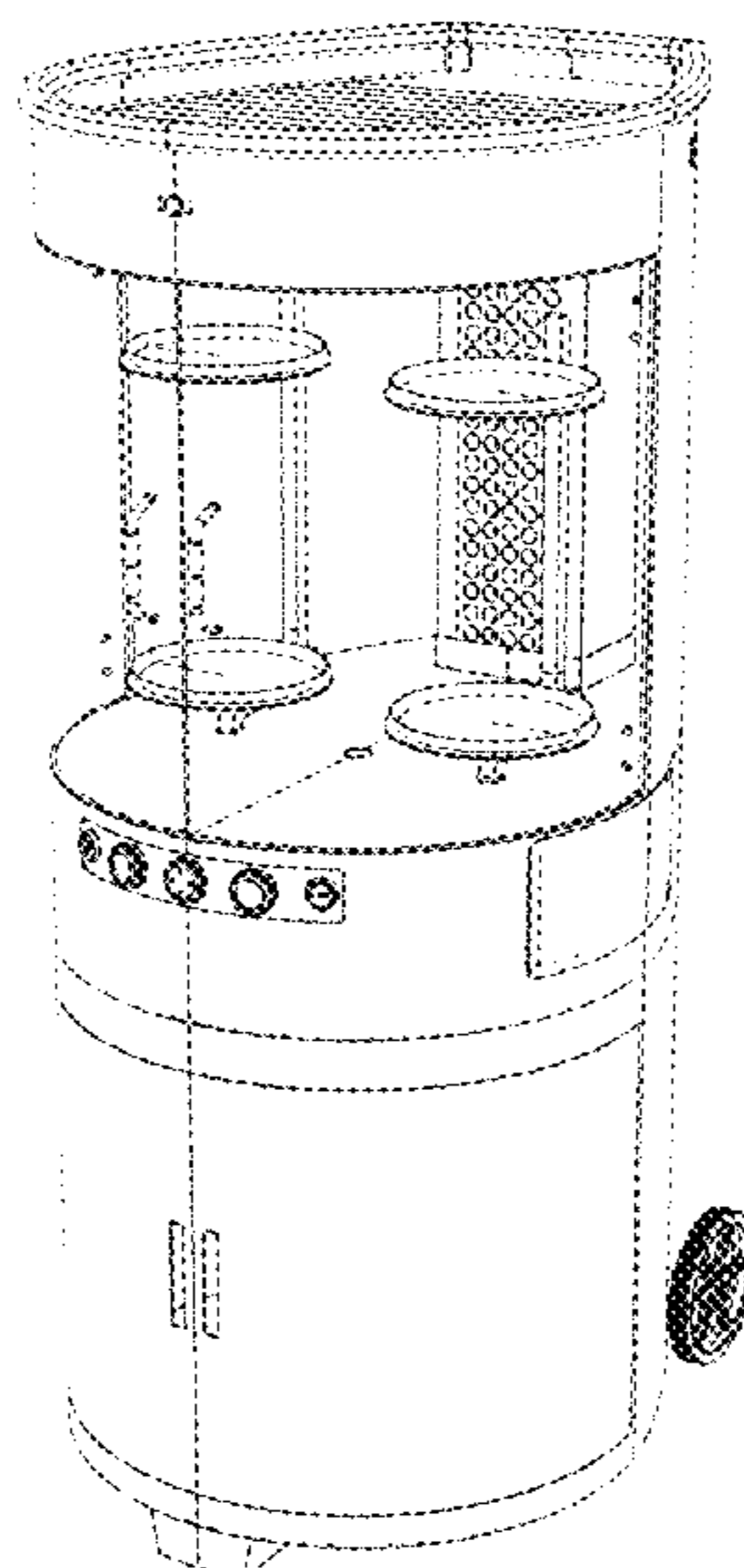
(57) **CLAIM**

The ornamental design for a rotisserie machine, as shown and described.

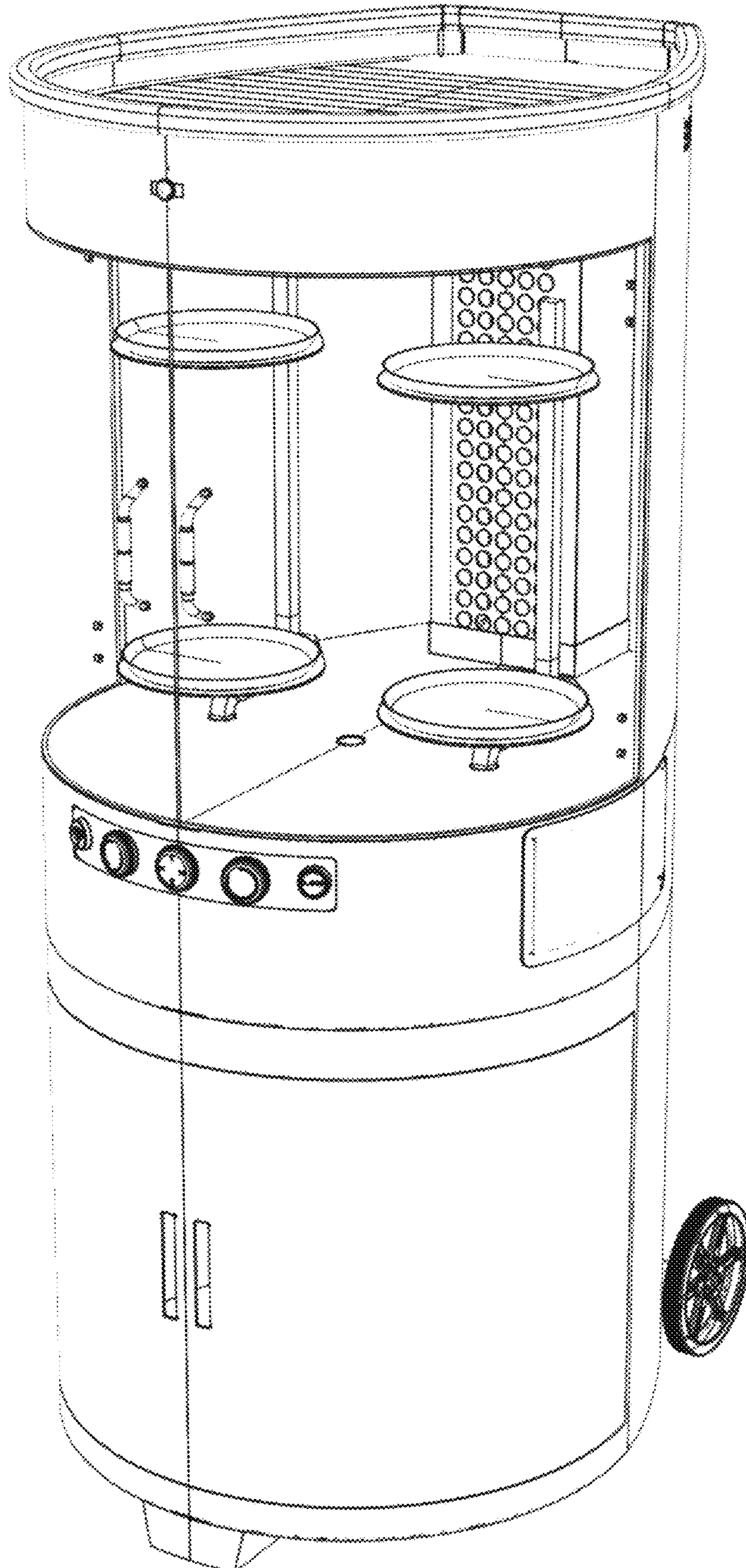
DESCRIPTION

1. Rotisserie machine
- 1.1 —Perspective view;
- 1.2 —Bottom plan view;
- 1.3 —Top plan view;
- 1.4 —Bottom plan view thereof;
- 1.5 —Top plan view.

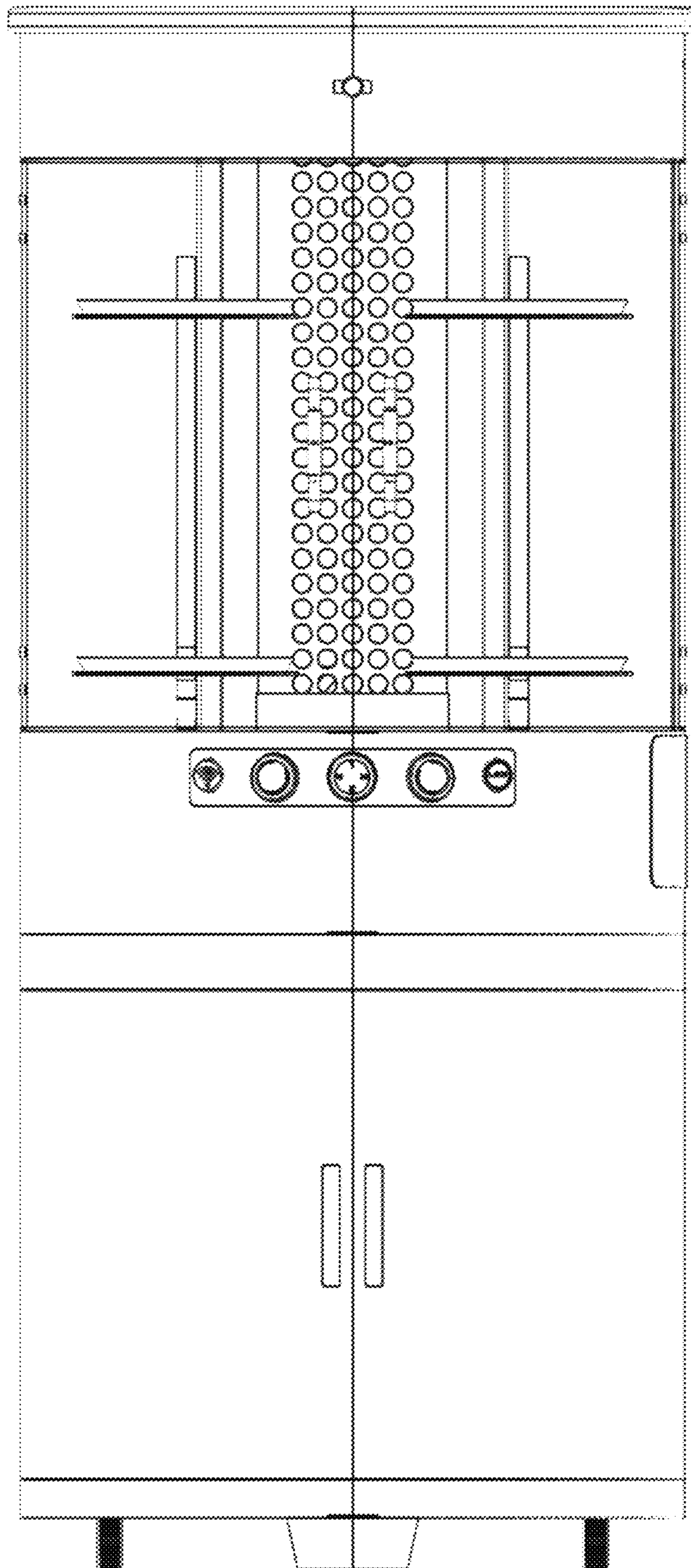
1 Claim, 5 Drawing Sheets



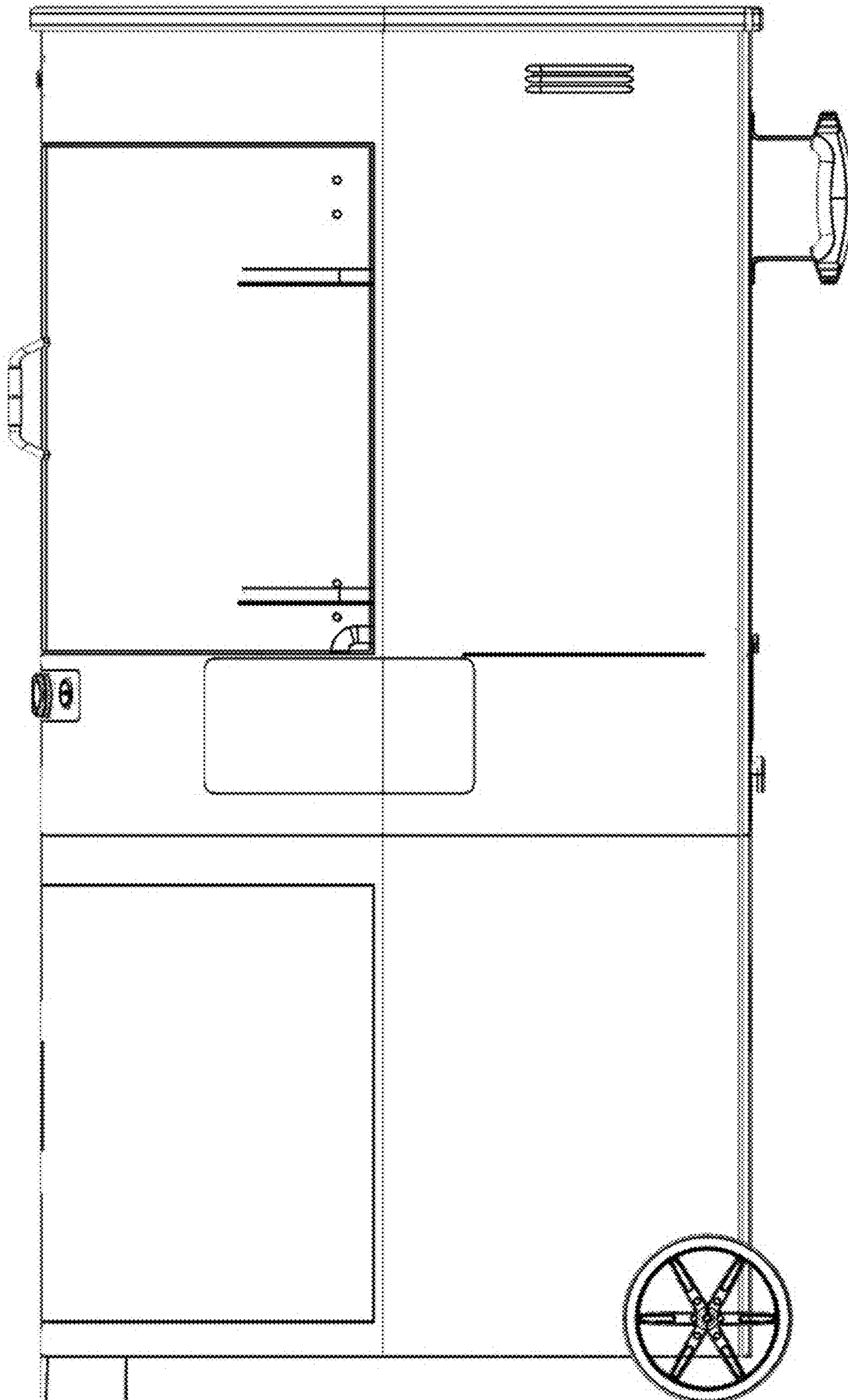
1.1



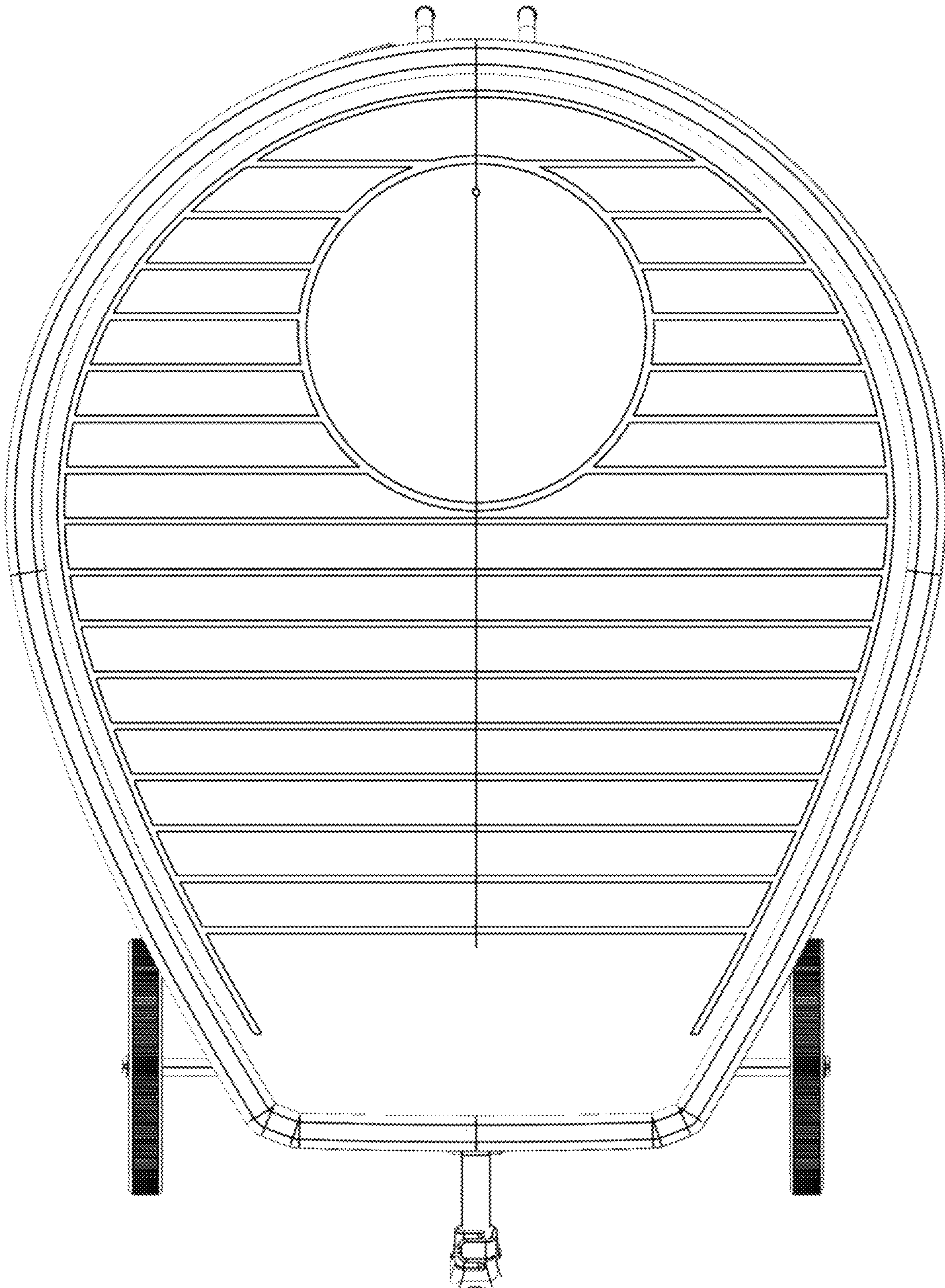
1.2



1.3



1.4



1.5

