



US00D880927S

(12) **United States Design Patent**  
**Bodum**

(10) **Patent No.:** **US D880,927 S**

(45) **Date of Patent:** **\*\* Apr. 14, 2020**

(54) **GRILL**  
(71) Applicant: **PI-Design AG**, Triengen (CH)  
(72) Inventor: **Jorgen Bodum**, Meggen (CH)  
(73) Assignee: **PI-Design AG**, Triengen (CH)  
(\*\*) Term: **15 Years**

(21) Appl. No.: **29/672,810**

(22) Filed: **Dec. 10, 2018**

(30) **Foreign Application Priority Data**

Jul. 17, 2018 (WO) ..... DM/102133

(51) **LOC (12) Cl.** ..... **07-02**

(52) **U.S. Cl.**  
USPC ..... **D7/337; D7/362**

(58) **Field of Classification Search**  
USPC ..... D7/323, 327, 332, 334, 337, 346,  
D7/352-353, 362-367, 402, 407-411, 354  
CPC ..... A47J 37/0611; A47J 2037/0617; A47J  
37/0763; A47J 37/0676; A47J 37/0713;  
A47J 2037/0777  
See application file for complete search history.

(56) **References Cited**

**U.S. PATENT DOCUMENTS**

D435,755 S \* 1/2001 Deni ..... D7/352  
D440,460 S \* 4/2001 Davis ..... D7/330  
6,484,624 B1 \* 11/2002 Wu ..... A47J 37/0611  
99/339  
D519,775 S \* 5/2006 Chung ..... D7/332  
D600,065 S \* 9/2009 Tienor ..... D7/352  
7,775,202 B2 \* 8/2010 Chen ..... A47J 37/0623  
126/25 R

8,365,655 B2 \* 2/2013 Chen ..... A47J 37/0676  
126/25 R  
D694,570 S \* 12/2013 Day ..... D7/352  
D785,397 S \* 5/2017 Sawhney ..... D7/337  
D789,728 S \* 6/2017 Huang ..... D7/337  
D798,728 S 10/2017 Kwon et al.  
2004/0194774 A1 \* 10/2004 Nugent ..... A47J 37/0713  
126/41 R  
2006/0000465 A1 \* 1/2006 Chung ..... A47J 37/0713  
126/9 R  
2007/0095337 A1 \* 5/2007 Mosher, II ..... F24C 3/14  
126/25 R  
2008/0142503 A1 \* 6/2008 Li ..... A47J 37/0676  
219/450.1  
2016/0206148 A1 \* 7/2016 Sawhney ..... A47J 37/0763

**OTHER PUBLICATIONS**

PI-Design AG, U.S. Appl. No. 29/672,802, filed Dec. 10, 2018.

\* cited by examiner

*Primary Examiner* — Brett Miller

(74) *Attorney, Agent, or Firm* — McDonnell Boehnen  
Hulbert & Berghoff LLP

(57) **CLAIM**

The ornamental design for a grill, as shown and described.

**DESCRIPTION**

FIG. 1 is a perspective view of a grill showing my new design;

FIG. 2 is a front view thereof;

FIG. 3 is a rear view thereof;

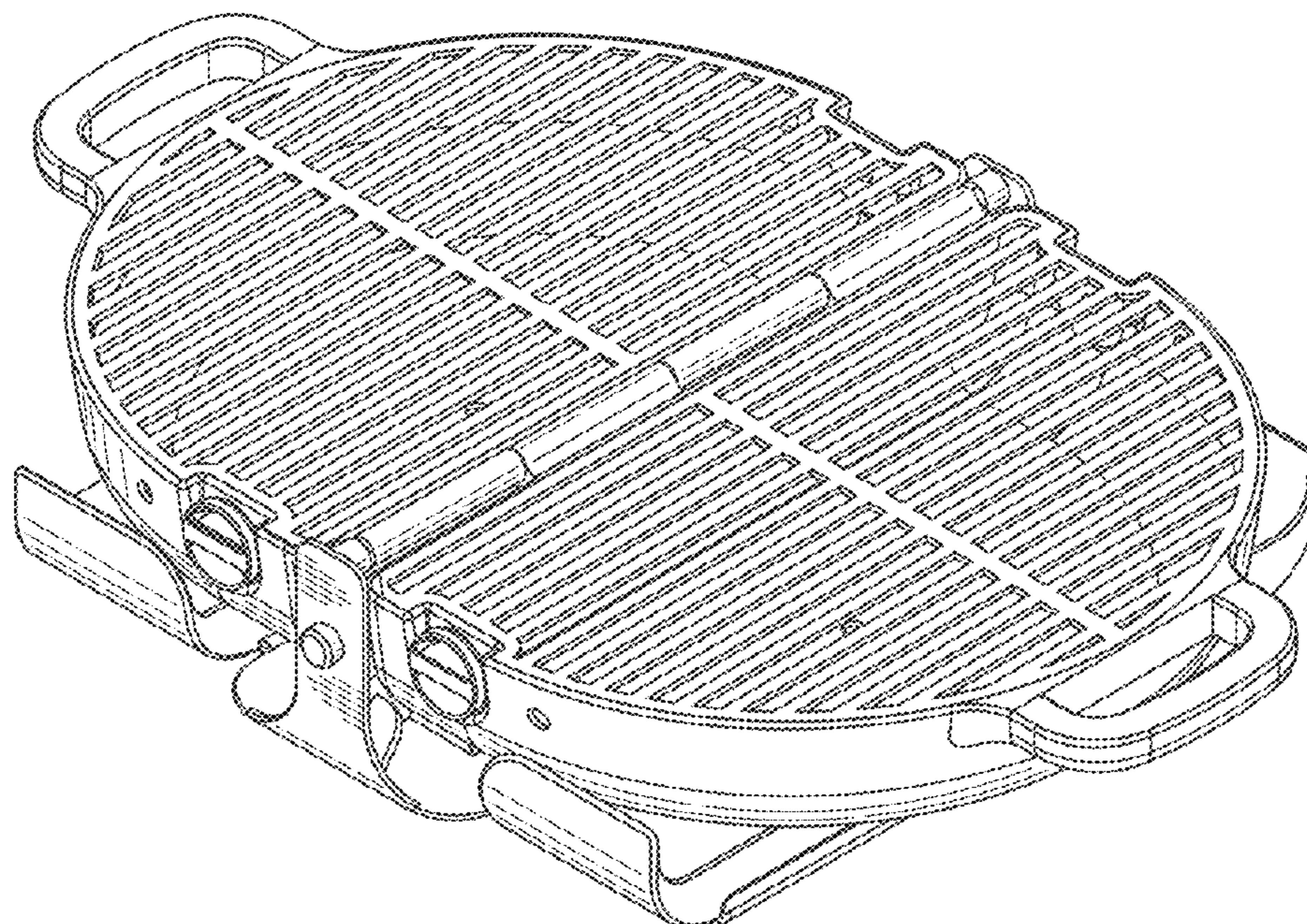
FIG. 4 is a left side view thereof;

FIG. 5 is a right side view thereof;

FIG. 6 is a top view thereof; and,

FIG. 7 is a bottom view thereof.

**1 Claim, 7 Drawing Sheets**



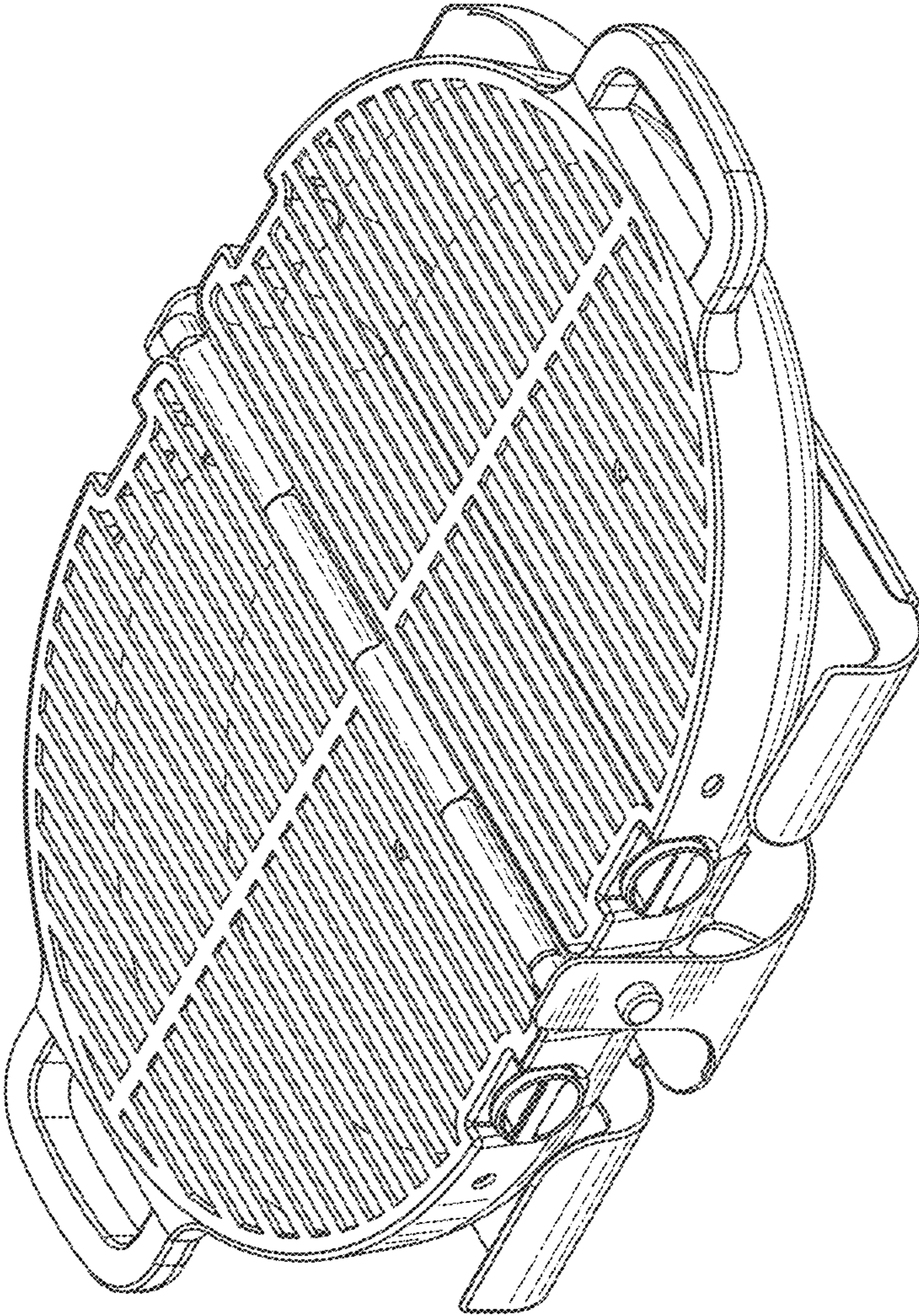


FIG. 1

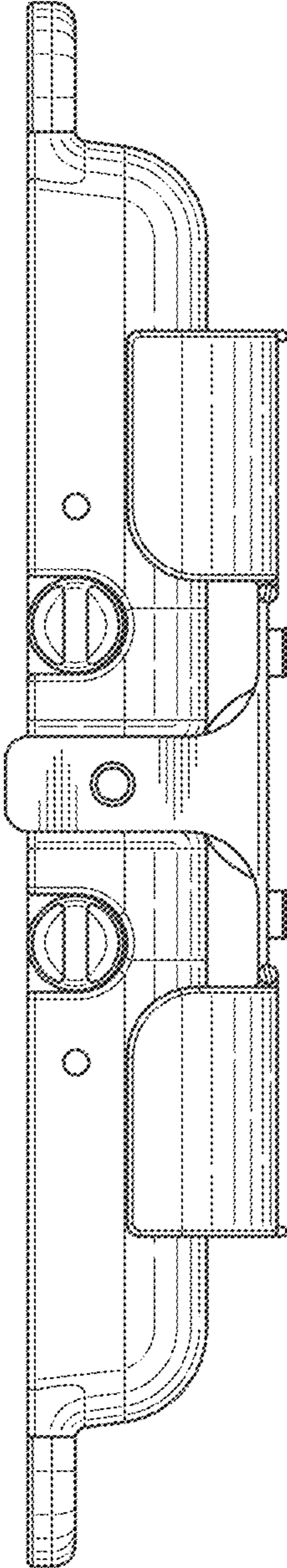


FIG. 2

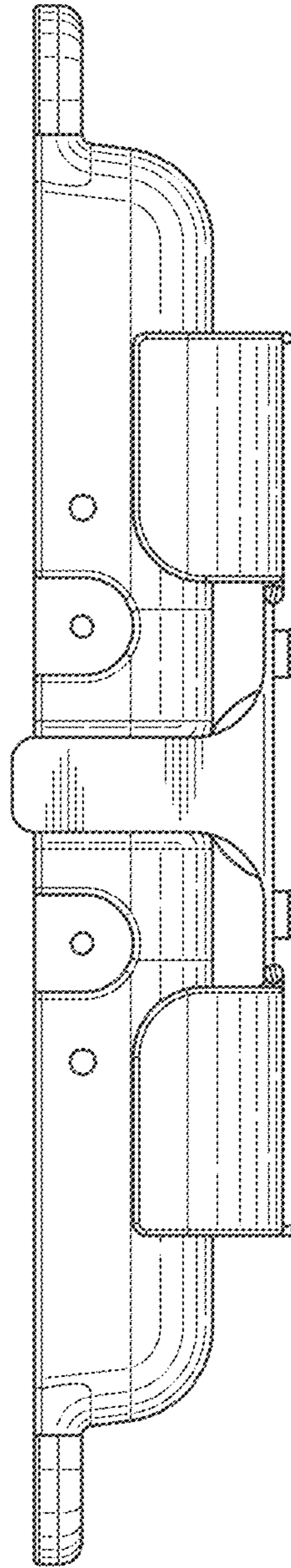


FIG. 3

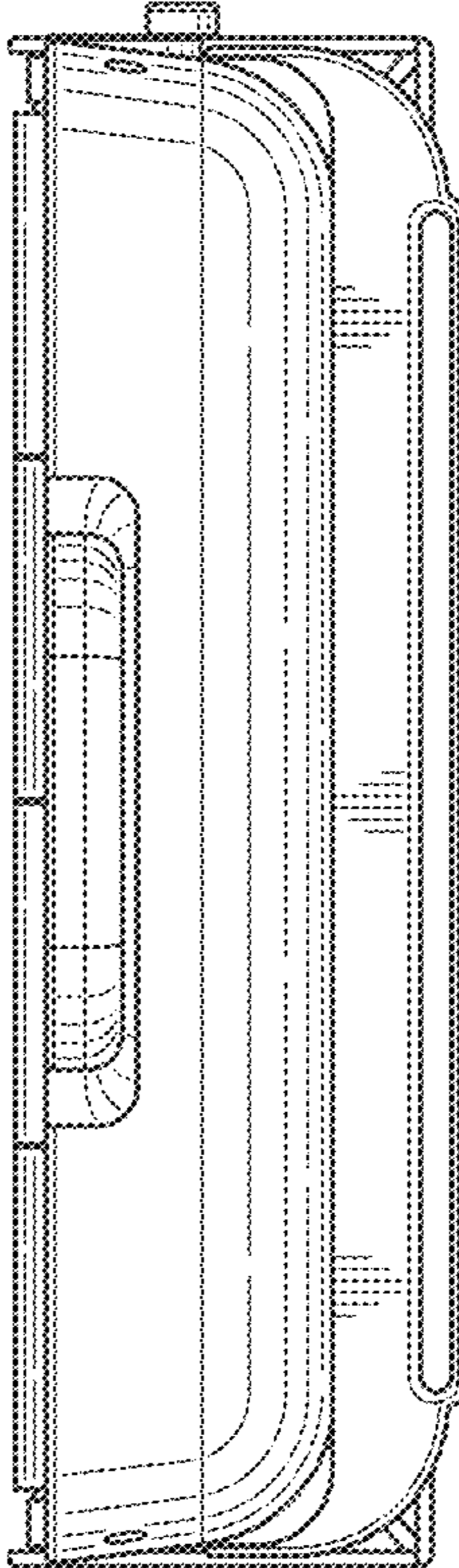


FIG. 4

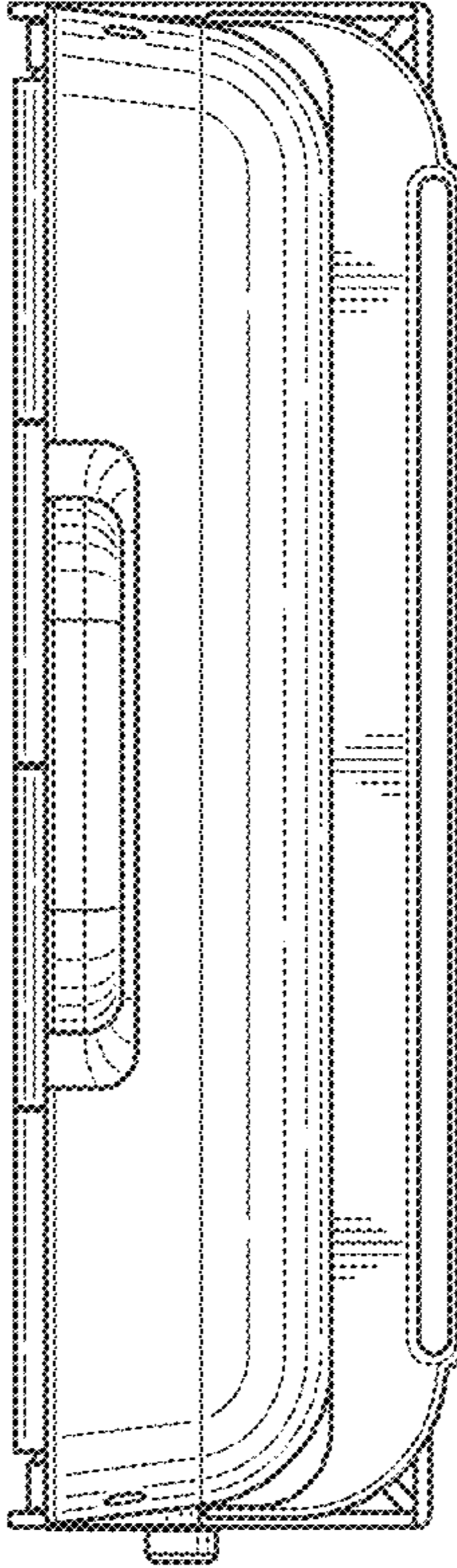


FIG. 5

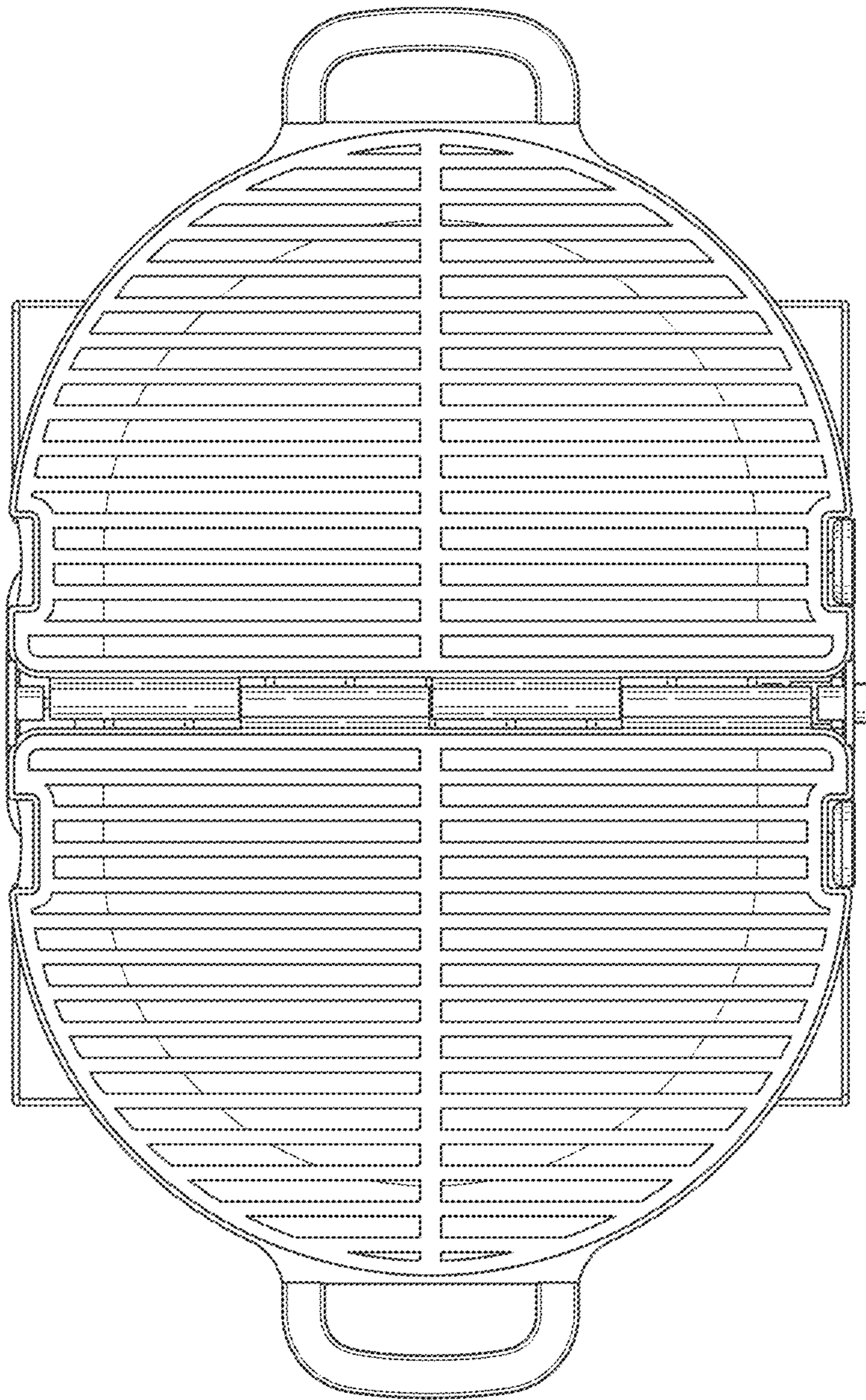


FIG. 6

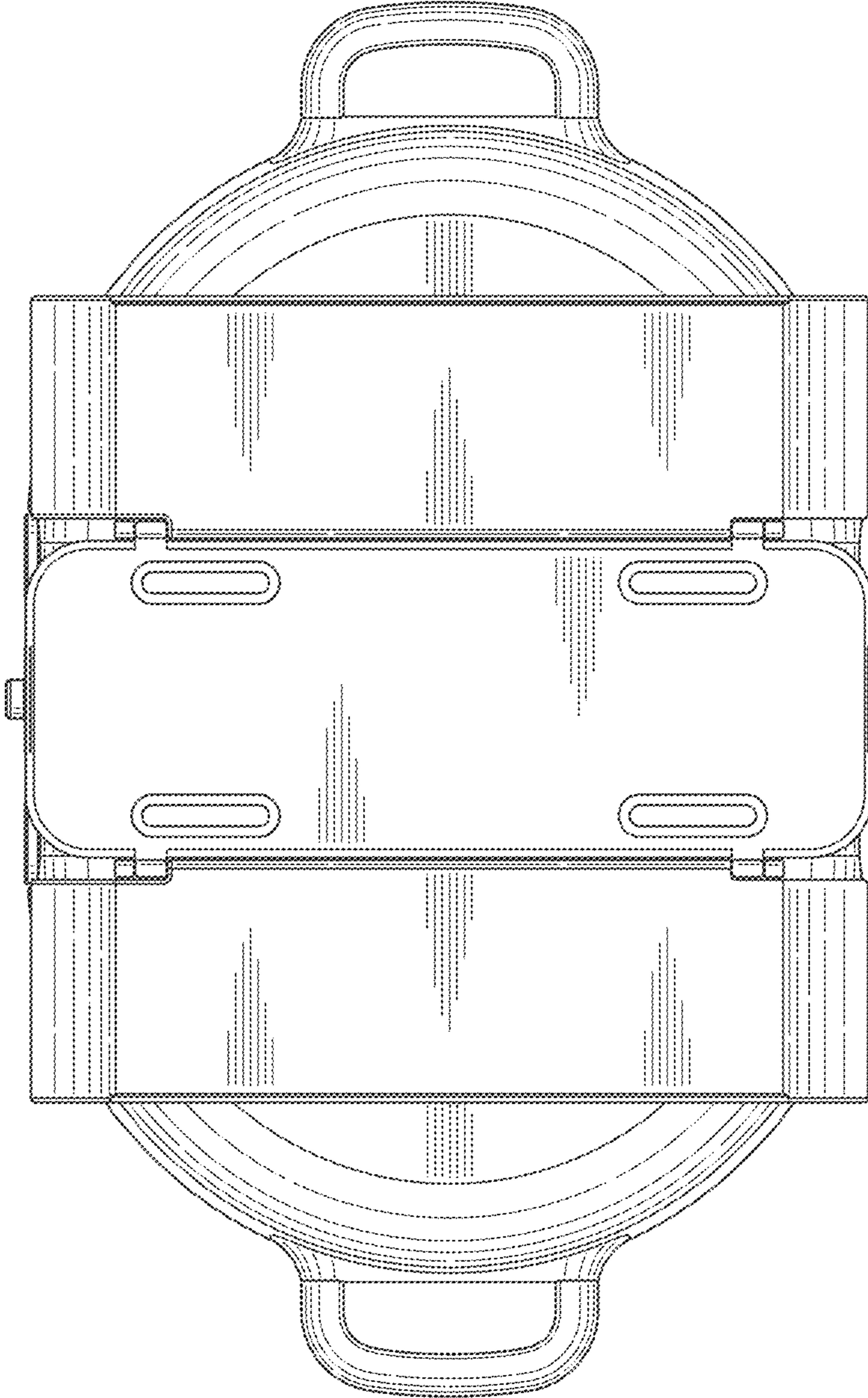


FIG. 7