



US00D880926S

(12) **United States Design Patent**  
**Thun et al.**

(10) **Patent No.:** **US D880,926 S**  
(45) **Date of Patent:** **\*\* Apr. 14, 2020**

(54) **KETTLE**

(71) Applicant: **Zwilling J.A. Henckels AG**, Solingen (DE)

(72) Inventors: **Matteo Thun**, Mailand (IT); **Antonio Rodriguez**, Mailand (IT)

(73) Assignee: **Zwilling J.A. Henckels AG**, Solingen (DE)

(\*\*) Term: **15 Years**

(21) Appl. No.: **29/682,522**

(22) Filed: **Mar. 6, 2019**

(30) **Foreign Application Priority Data**

Sep. 11, 2018 (EM) ..... 005636552-0002

(51) **LOC (12) Cl.** ..... **07-01**

(52) **U.S. Cl.**  
USPC ..... **D7/317; D7/318**

(58) **Field of Classification Search**  
USPC ..... D7/598, 312, 317, 316, 318, 319, 300;  
D11/153, 146

CPC ..... A47G 19/22; A47G 19/16; A47G 19/12;  
A47J 41/0094; A47J 31/20  
See application file for complete search history.

(56) **References Cited**

**U.S. PATENT DOCUMENTS**

D448,384 S *	9/2001	Adriaansen	.....	D14/356
D475,233 S *	6/2003	De Visser	.....	D7/317
D498,638 S *	11/2004	Morrison	.....	D7/318
D554,425 S *	11/2007	Schwamkrug	.....	D7/317
D628,426 S *	12/2010	Hoare	.....	D7/317
D630,882 S *	1/2011	Cohen	.....	D7/317
D726,485 S *	4/2015	Mullen	.....	D7/317
D731,226 S *	6/2015	Sun	.....	D7/316
D738,669 S *	9/2015	Brook	.....	D7/317

D747,130 S *	1/2016	Kunz	.....	D7/317
D777,500 S *	1/2017	Lee	.....	D7/317
D796,247 S *	9/2017	Bazzicalupo	.....	D7/317
D815,874 S *	4/2018	Chung	.....	D7/319
D817,063 S *	5/2018	Morton	.....	D7/318
D818,756 S *	5/2018	Averty	.....	D7/318
D824,732 S *	8/2018	Hsiao	.....	D7/624.2
D830,094 S *	10/2018	Barquin	.....	D7/318
D830,759 S *	10/2018	Vu	.....	D7/319
D864,646 S *	10/2019	Josancy	.....	D7/317
D872,515 S *	1/2020	Powell	.....	D7/319
2010/0270284 A1 *	10/2010	Cohen	.....	A47J 27/21175 219/429
2011/0259871 A1 *	10/2011	Li	.....	A47J 27/21158 219/441
2012/0145638 A1 *	6/2012	Albrecht-Schmitt	.....	C01B 35/12 210/681
2017/0135513 A1 *	5/2017	Geurts	.....	A47J 27/2105
2018/0296025 A1 *	10/2018	Pan	.....	A47J 31/20
2019/0104880 A1 *	4/2019	Ghalambor Dezfuli	.....	A47J 27/21041
2019/0350401 A1 *	11/2019	Zimmermann	.....	A47J 31/0615

\* cited by examiner

*Primary Examiner* — Marianne N Pandozzi

(74) *Attorney, Agent, or Firm* — Gregory L. Mayback;  
Dickinson Wright PLLC

(57) **CLAIM**

The ornamental design for a kettle, as shown and described.

**DESCRIPTION**

FIG. 1 is a perspective view of a kettle showing our new design;

FIG. 2 is a top plan view thereof;

FIG. 3 is a left side elevation view thereof;

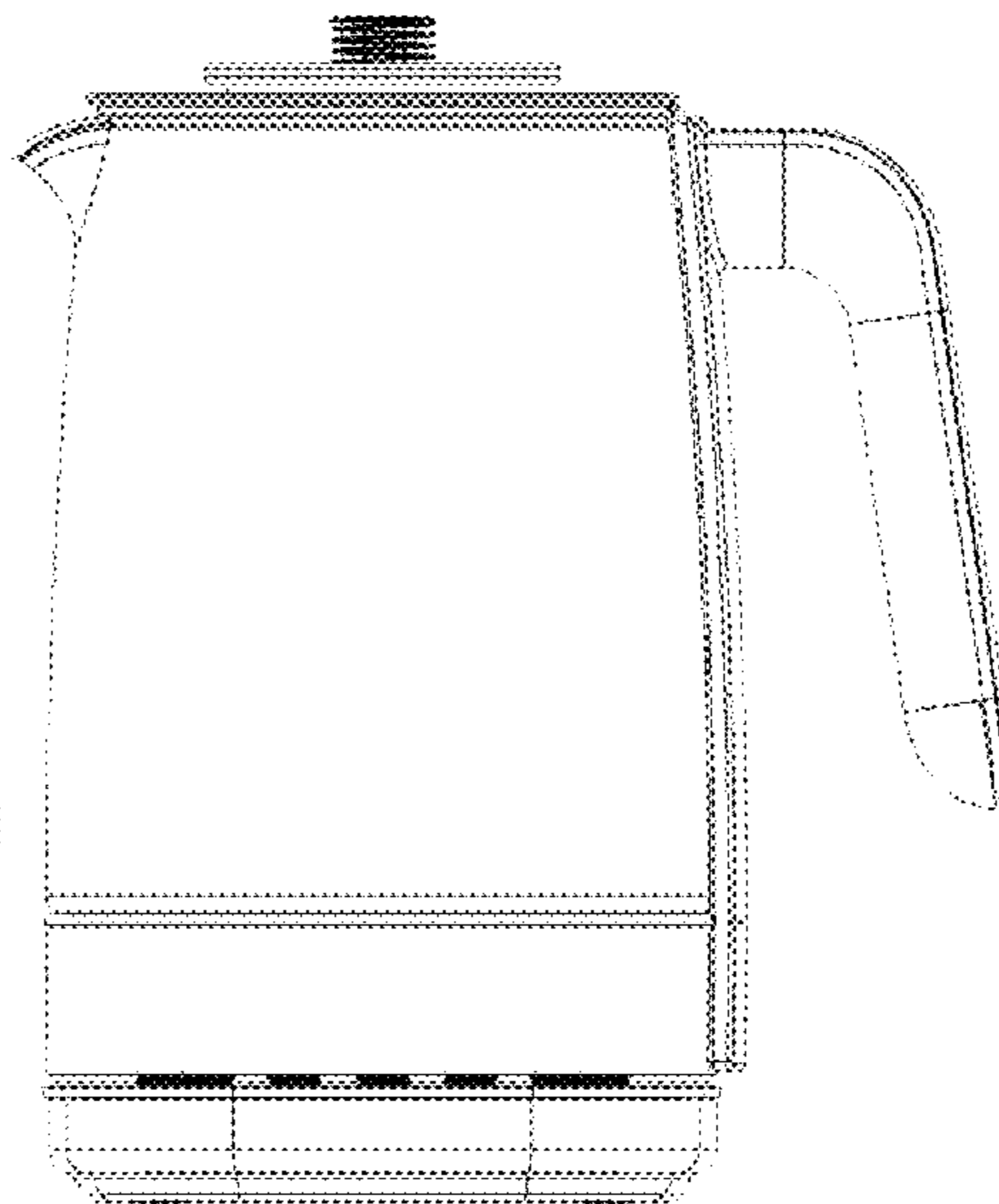
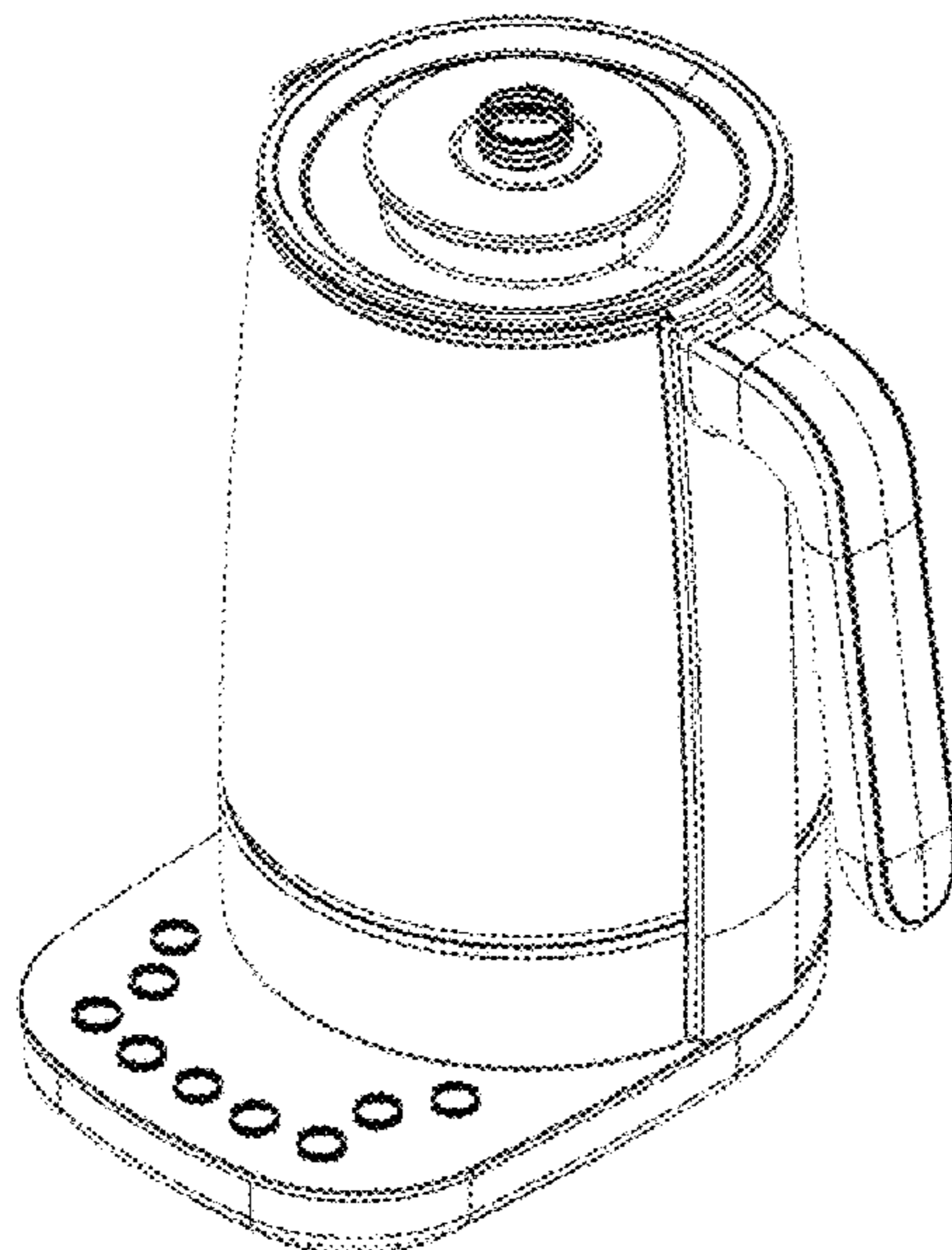
FIG. 4 is a front elevation view thereof;

FIG. 5 is a right side elevation view thereof;

FIG. 6 is a rear elevation view thereof; and,

FIG. 7 is a bottom plan view thereof.

**1 Claim, 7 Drawing Sheets**



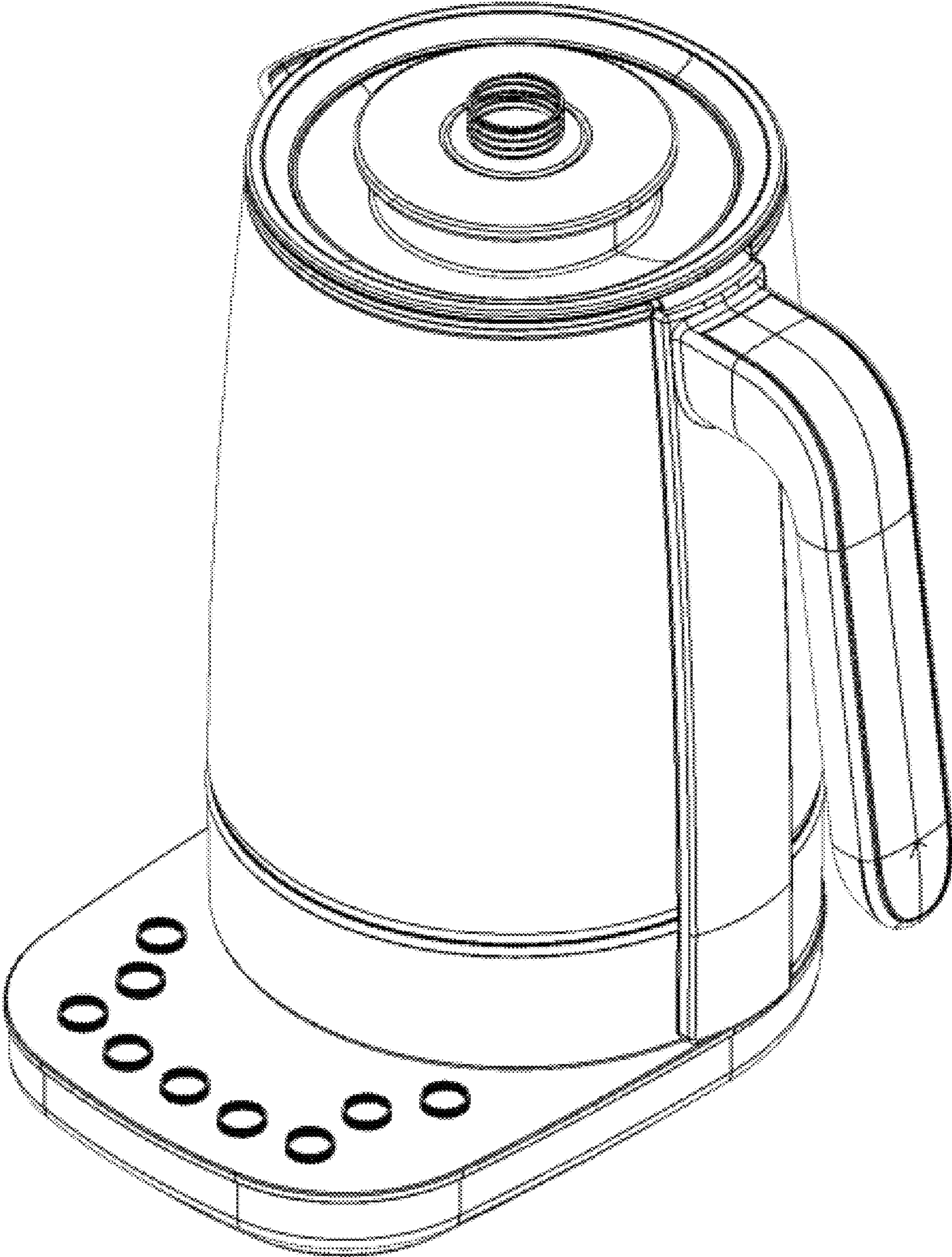


FIG. 1

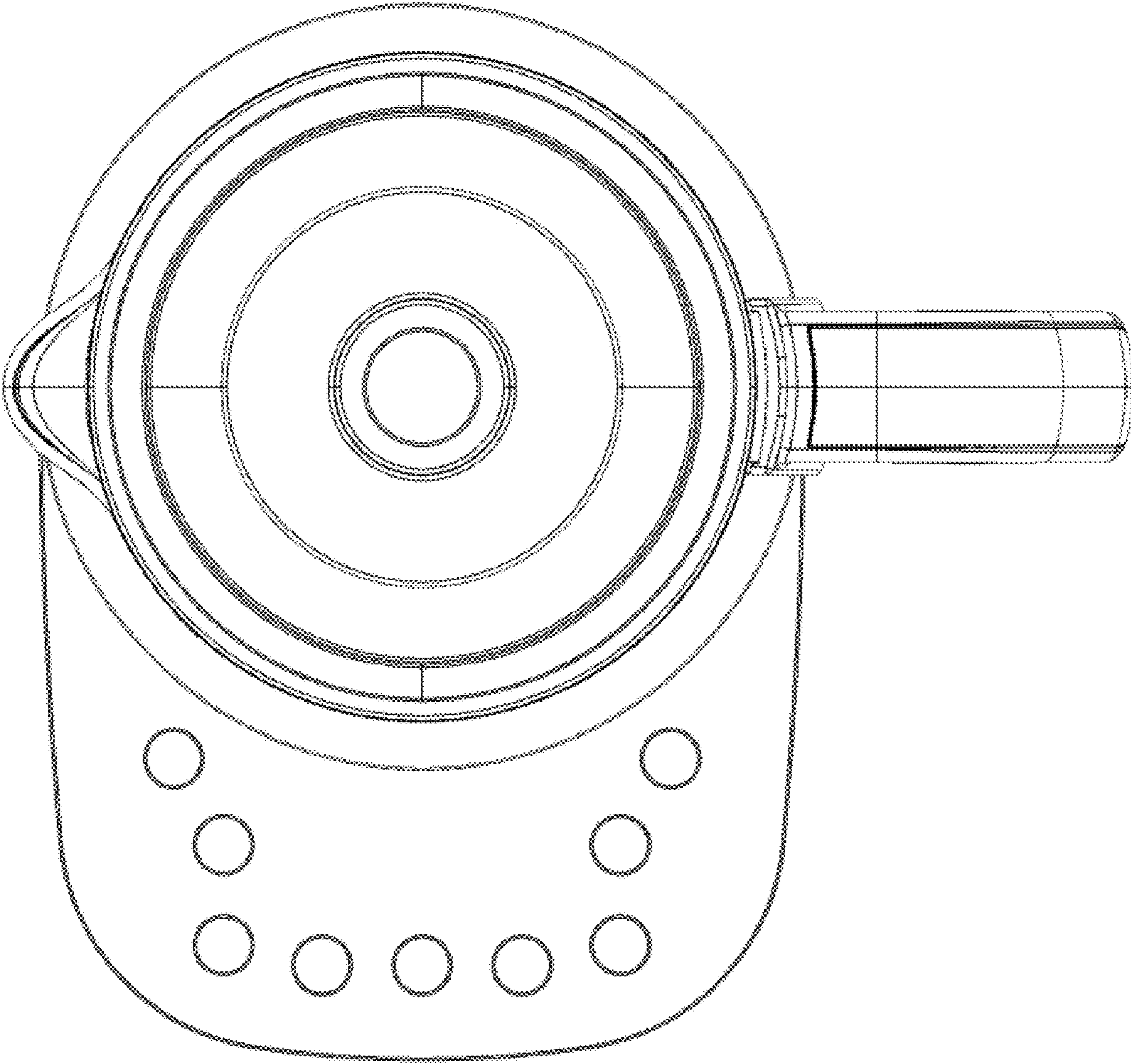


FIG. 2

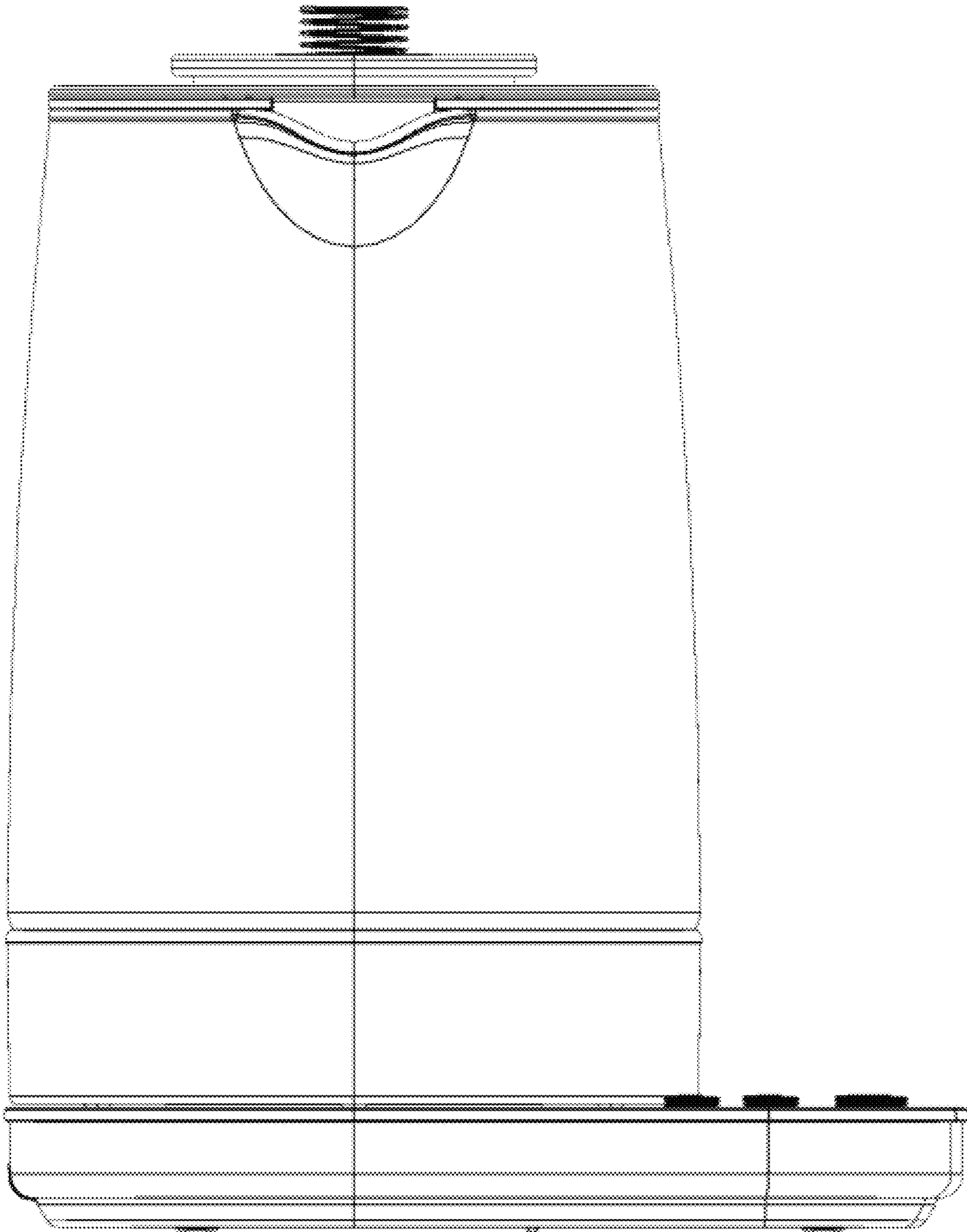


FIG. 3

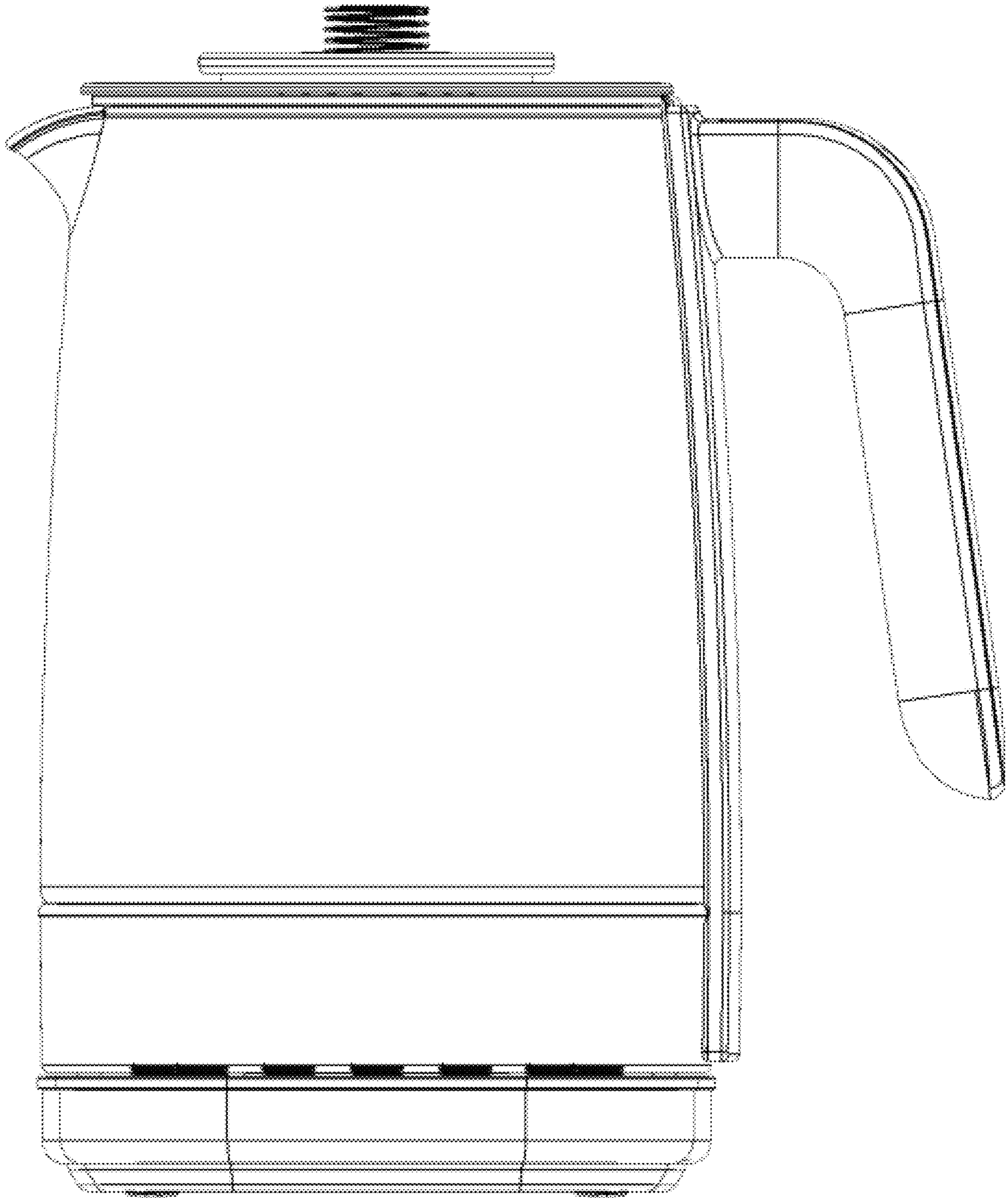


FIG. 4

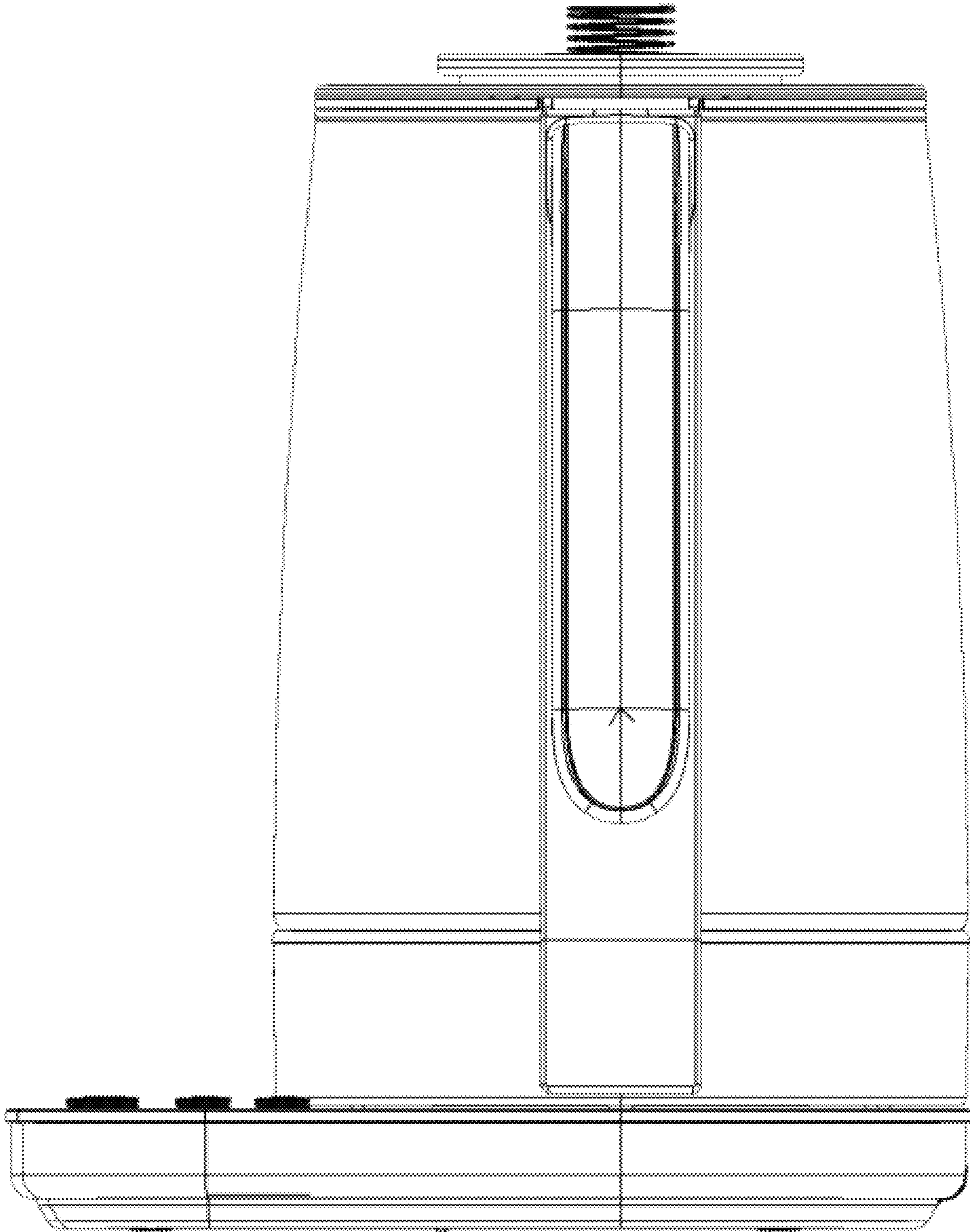


FIG. 5

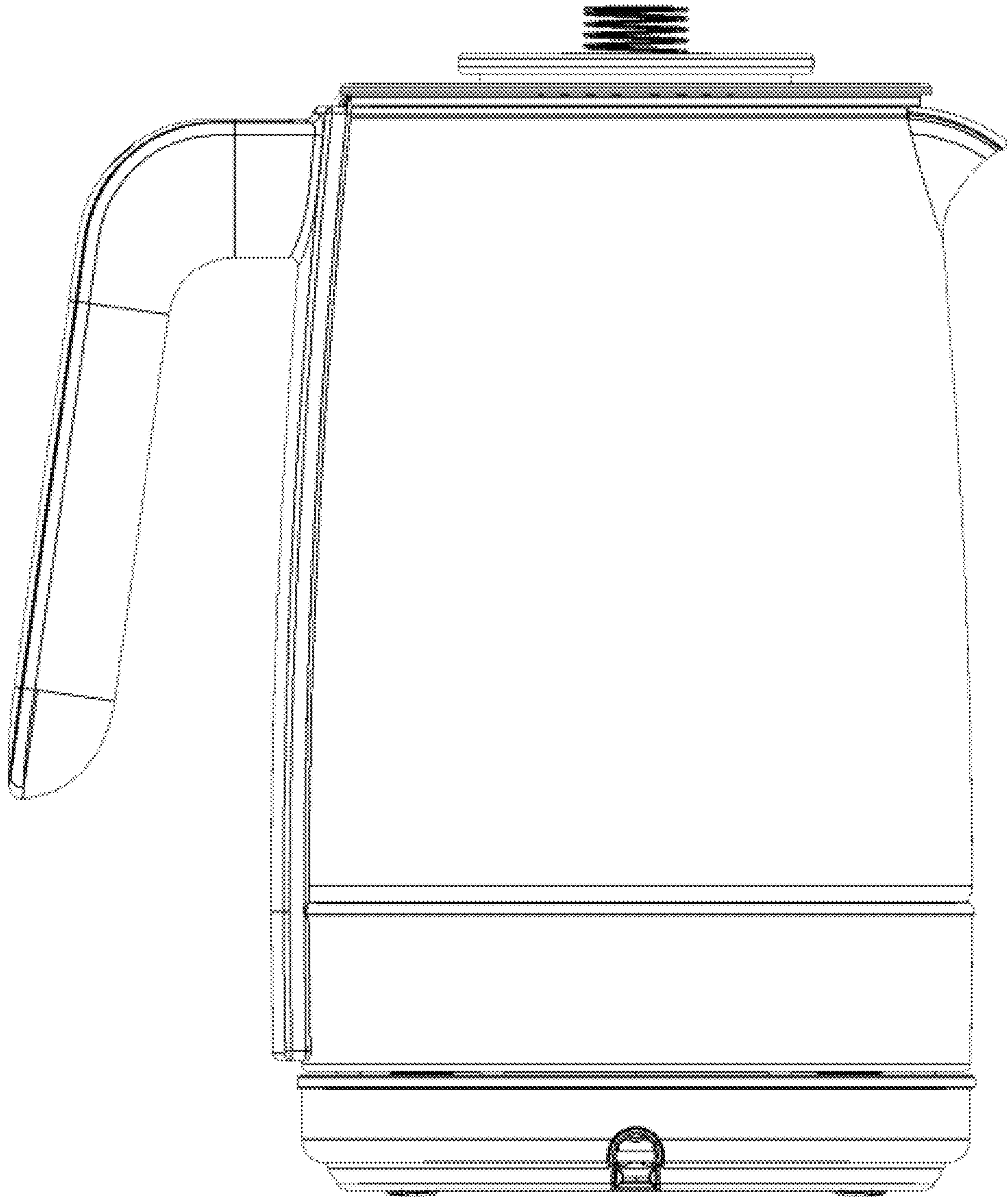


FIG. 6

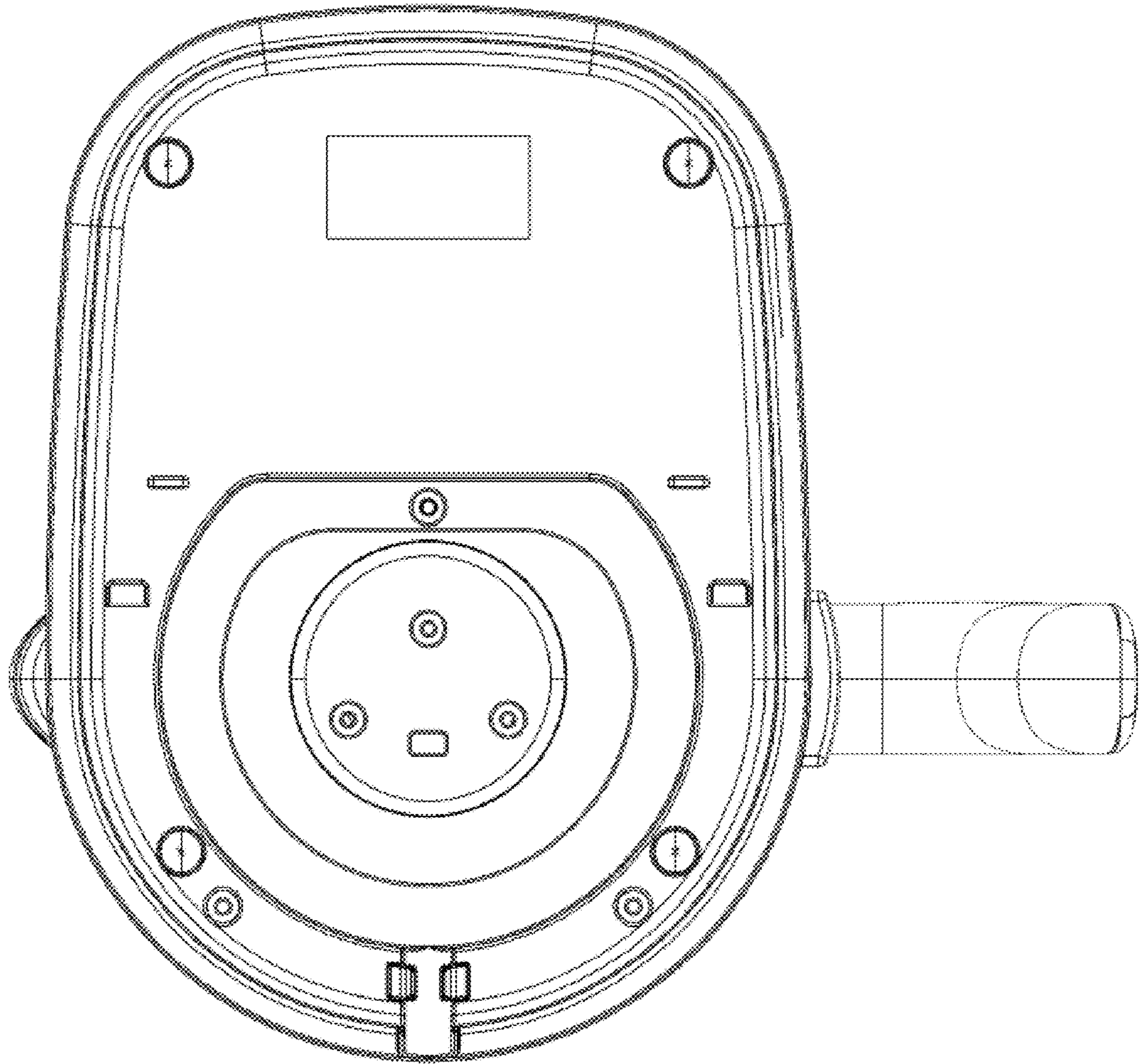


FIG. 7