



US00D880924S

(12) **United States Design Patent**  
**Duvall**

(10) **Patent No.:** **US D880,924 S**

(45) **Date of Patent:** **\*\* \*Apr. 14, 2020**

(54) **ESPRESSO MACHINE**

D695,052 S \* 12/2013 Ottavi ..... D7/309  
D807,096 S \* 1/2018 Prefontaine ..... D7/307  
D841,384 S \* 2/2019 Furstenberg ..... D7/309

(71) Applicant: **Gideon Duvall**, Boca Raton, FL (US)

\* cited by examiner

(72) Inventor: **Gideon Duvall**, Boca Raton, FL (US)

*Primary Examiner* — Marianne N Pandozzi

(\*) Notice: This patent is subject to a terminal disclaimer.

(74) *Attorney, Agent, or Firm* — Mark C. Johnson

(\*\*) Term: **15 Years**

(57) **CLAIM**

(21) Appl. No.: **29/632,742**

The ornamental design for an espresso machine, as shown and described.

(22) Filed: **Jan. 9, 2018**

**DESCRIPTION**

(51) **LOC (12) Cl.** ..... **07-01**

(52) **U.S. Cl.**

USPC ..... **D7/309**; D7/311

(58) **Field of Classification Search**

USPC ..... D7/306–311, 305, 300; 99/279, 284,  
99/290, 280, 299, 307, 297, 295  
CPC .... A47J 31/4464; A47J 31/0663; A47J 31/10;  
A47J 31/369; A47J 31/06; F25D 3/00;  
B67D 1/0895

See application file for complete search history.

FIG. 1 is a perspective front view of an espresso machine in accordance with the present invention;  
FIG. 2 is an elevational front view of the espresso machine in FIG. 1;  
FIG. 3 is an elevational rear view of the espresso machine in FIG. 1;  
FIG. 4 is an elevational left-side view of the espresso machine in FIG. 1;  
FIG. 5 is an elevational right-side view of the espresso machine in FIG. 1;  
FIG. 6 is a top plan view of the espresso machine in FIG. 1;  
FIG. 7 is a bottom plan view of the espresso machine in FIG. 1; and,

(56) **References Cited**

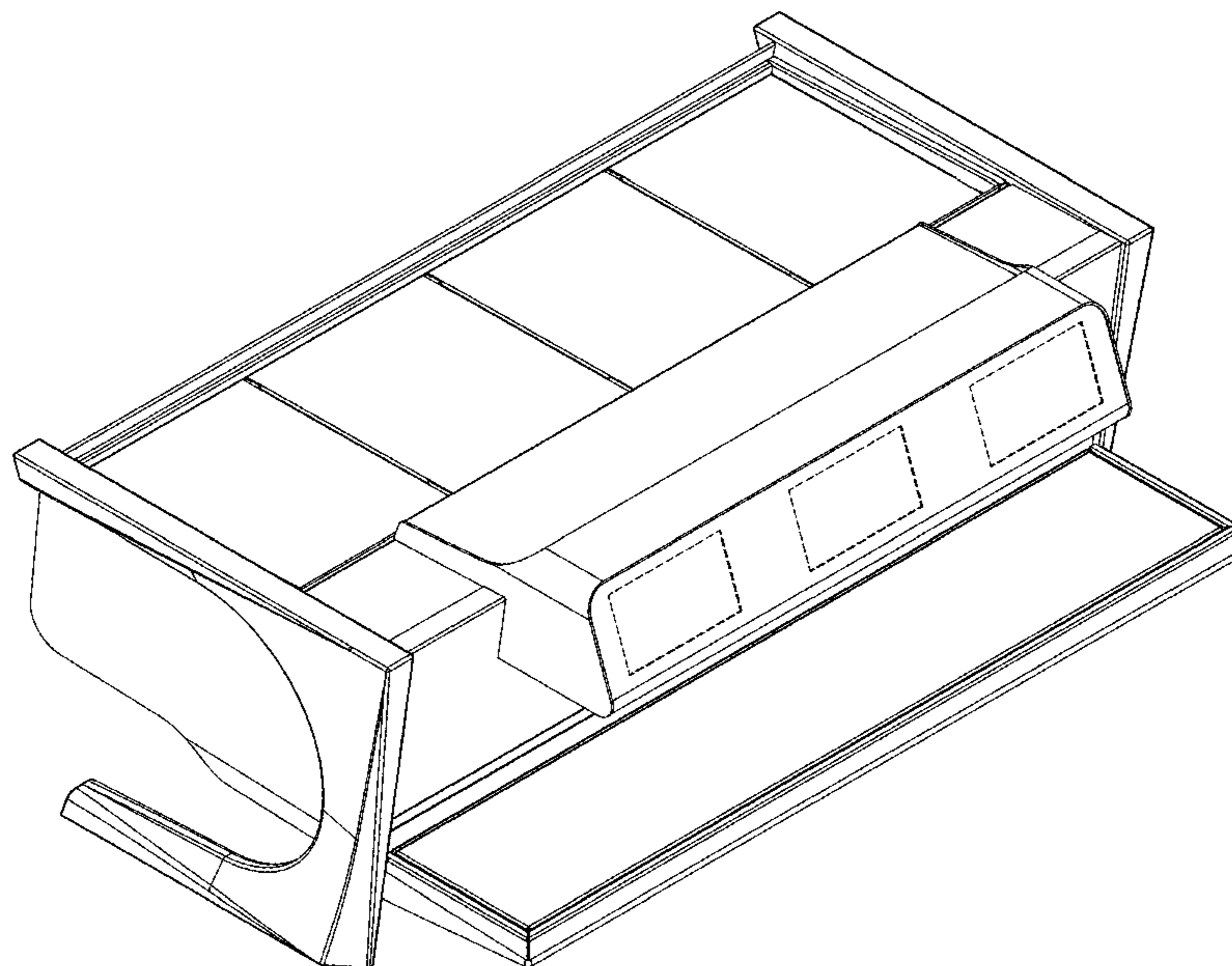
**U.S. PATENT DOCUMENTS**

D310,002 S \* 8/1990 Rossio ..... D7/308  
D343,332 S \* 1/1994 Schroeder ..... D7/300  
D395,975 S \* 7/1998 Munoz ..... D7/308  
5,813,318 A \* 9/1998 Zanin ..... A47J 31/007  
99/291  
D497,510 S \* 10/2004 Comorera Ivanov ..... D7/307  
D551,487 S \* 9/2007 Beretta ..... D7/307  
D672,998 S \* 12/2012 Bonetto ..... D7/308

FIG. 8 is a perspective rear view of the espresso machine in FIG. 1.

The broken lines shown in the drawings depict portions of the espresso machine which form no part of the claimed design.

**1 Claim, 8 Drawing Sheets**



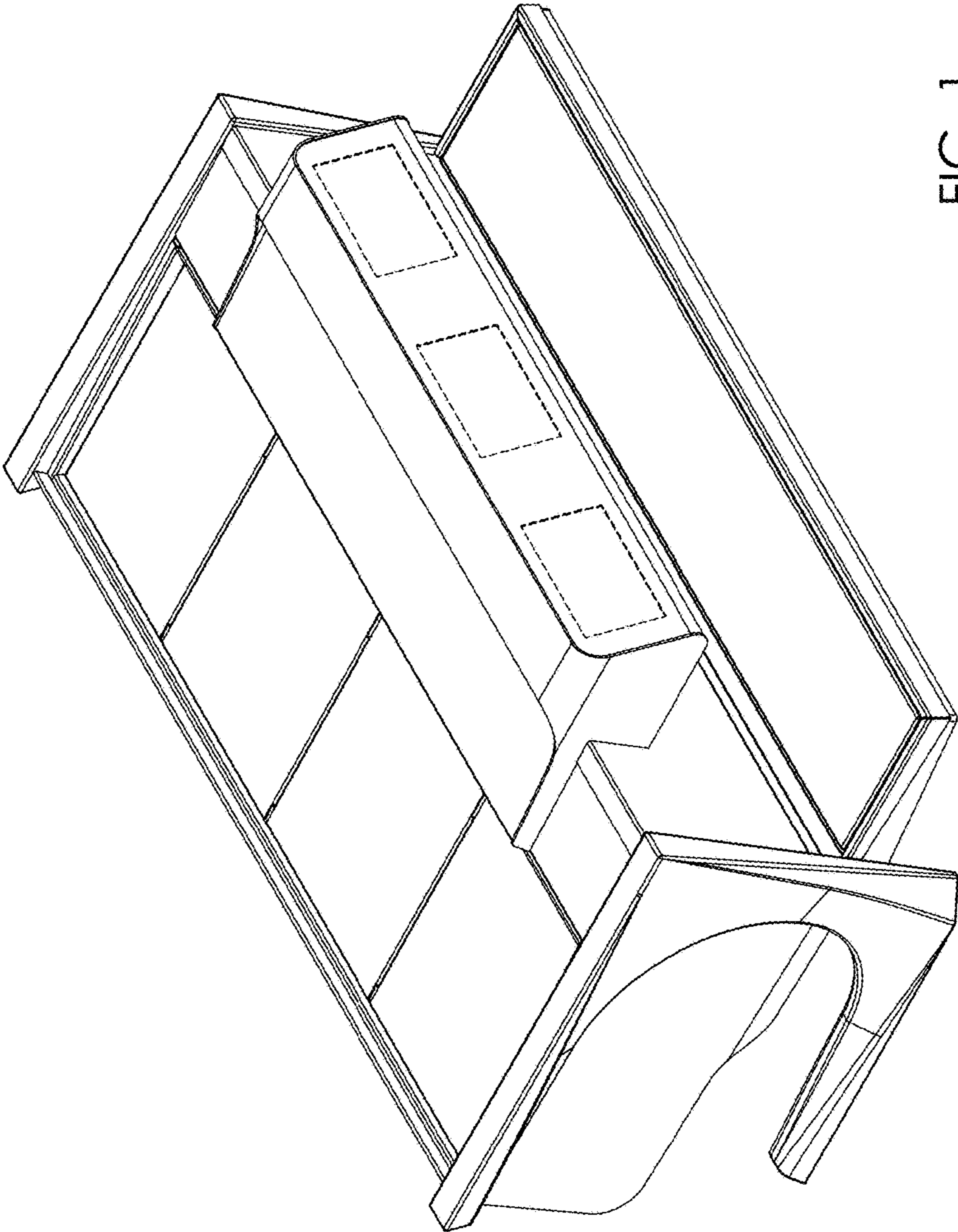


FIG. 1

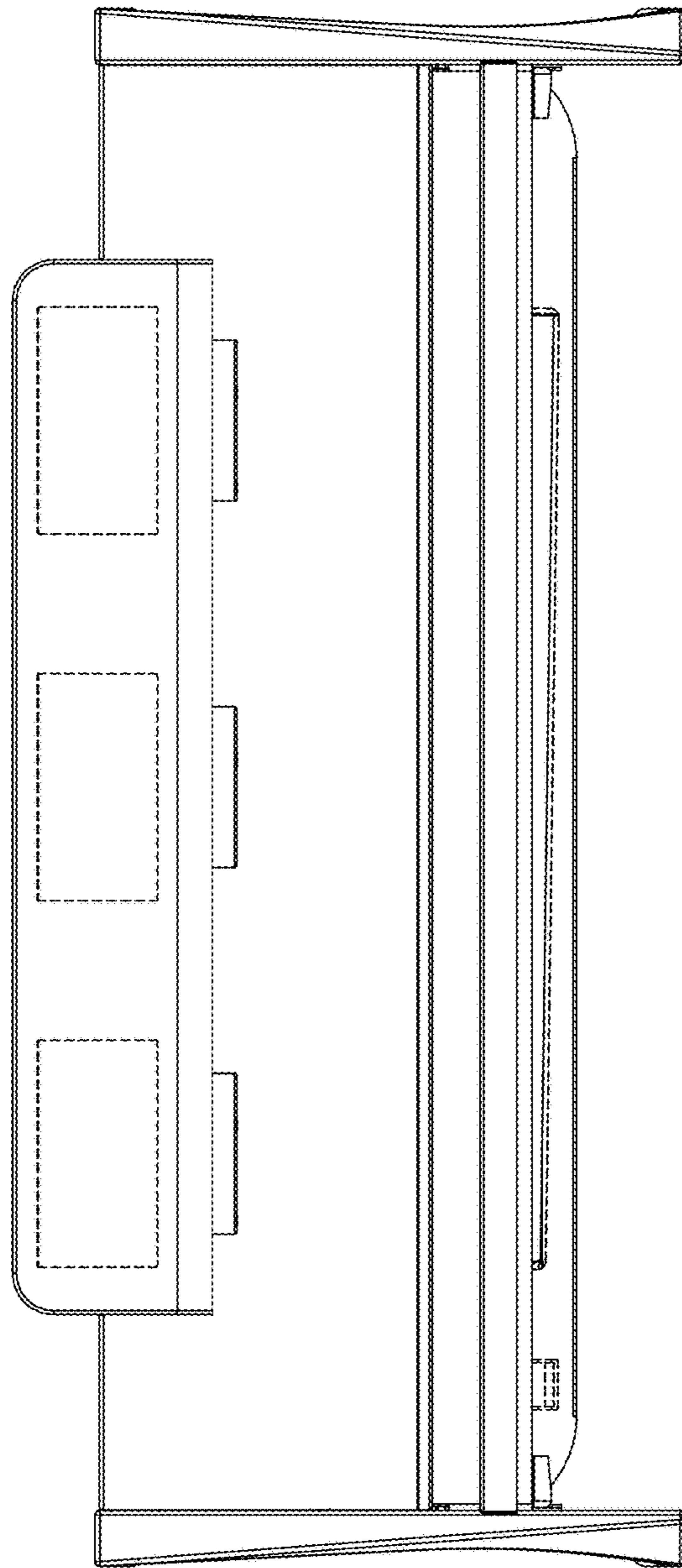


FIG. 2

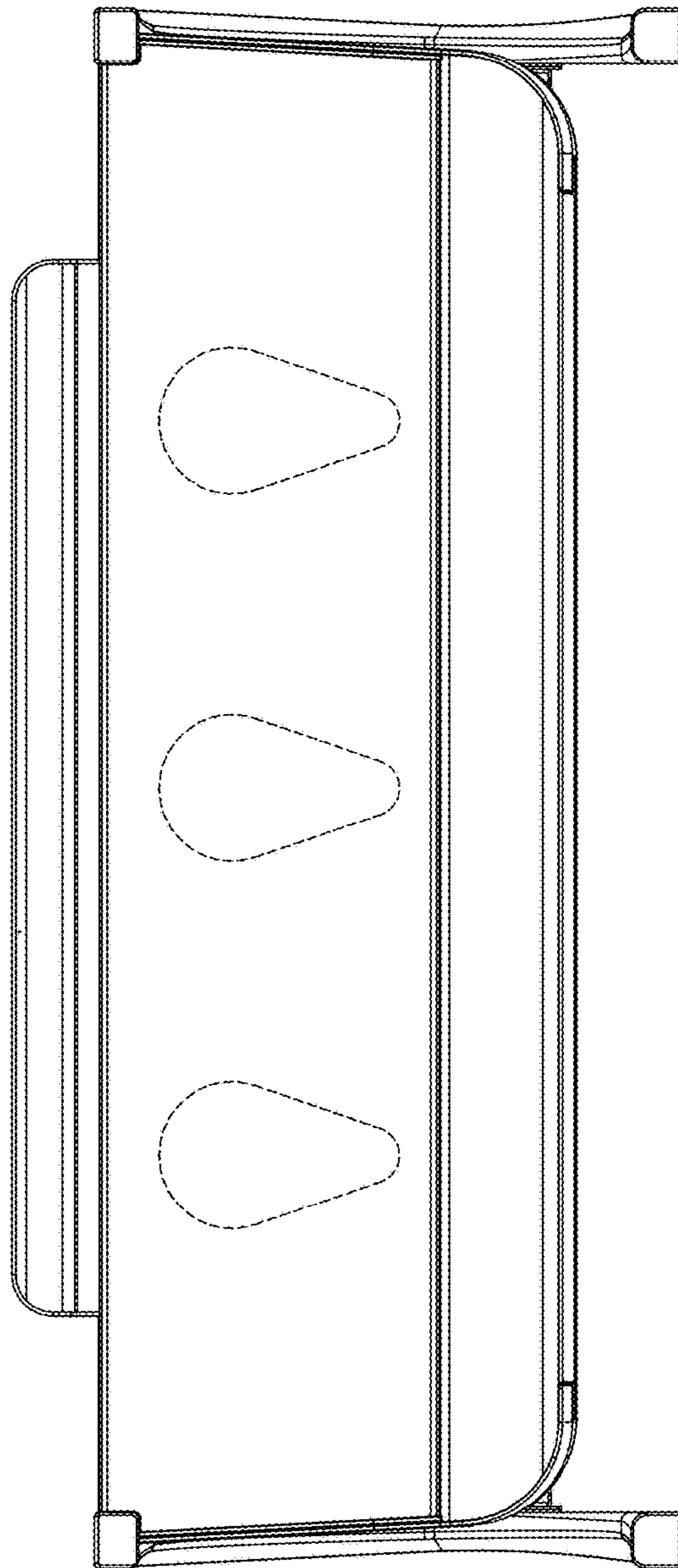


FIG. 3

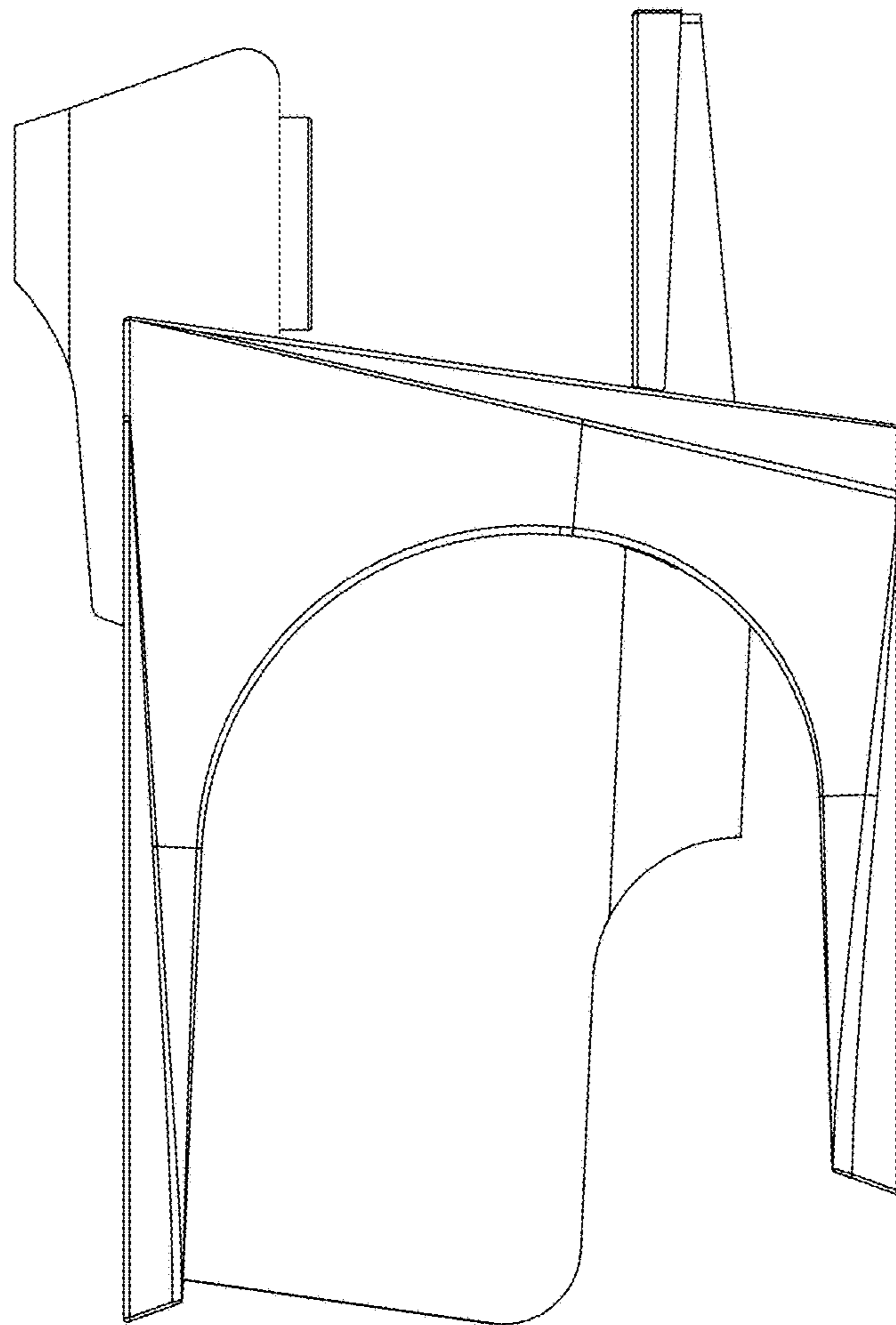


FIG. 4

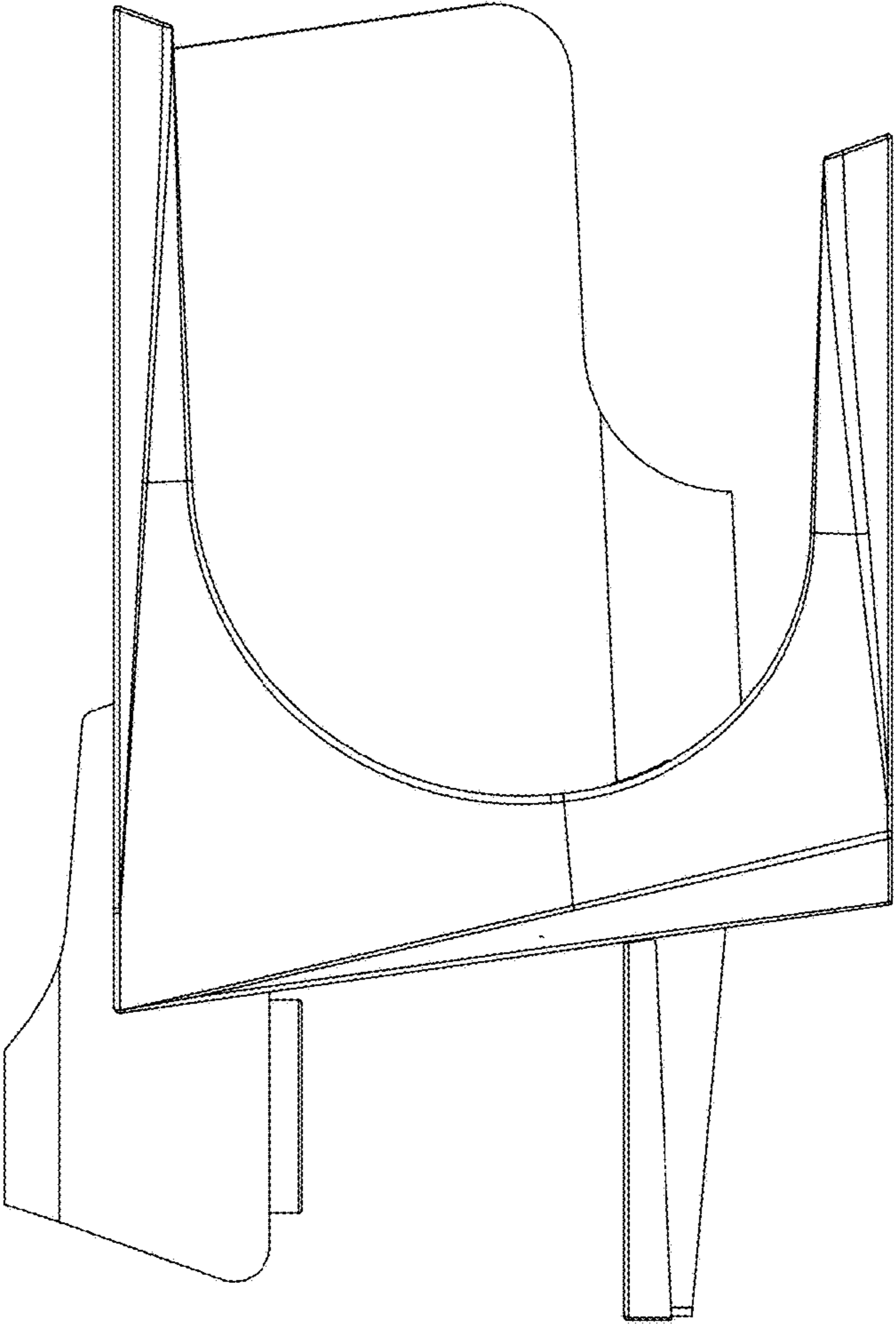


FIG. 5

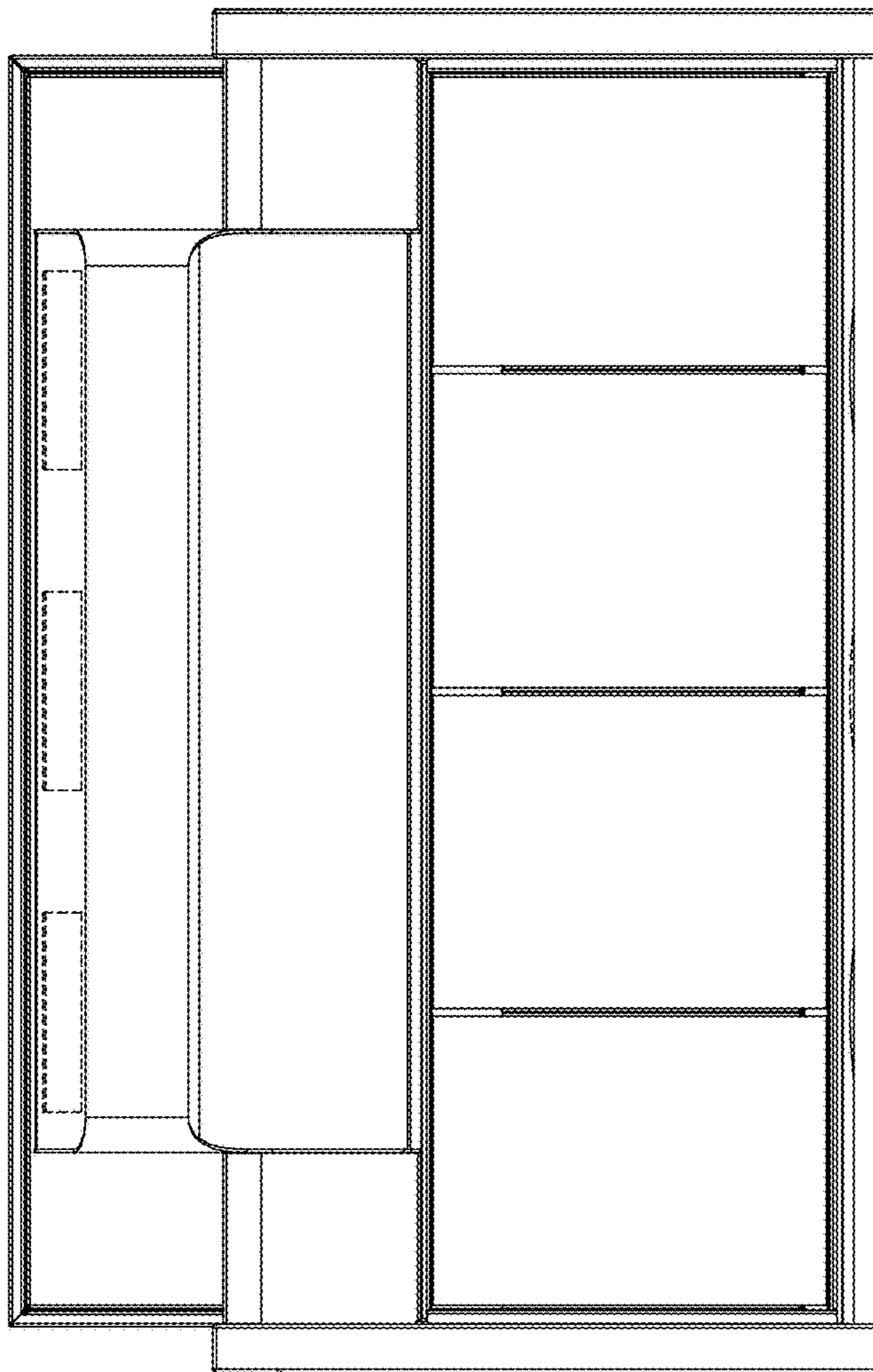


FIG. 6

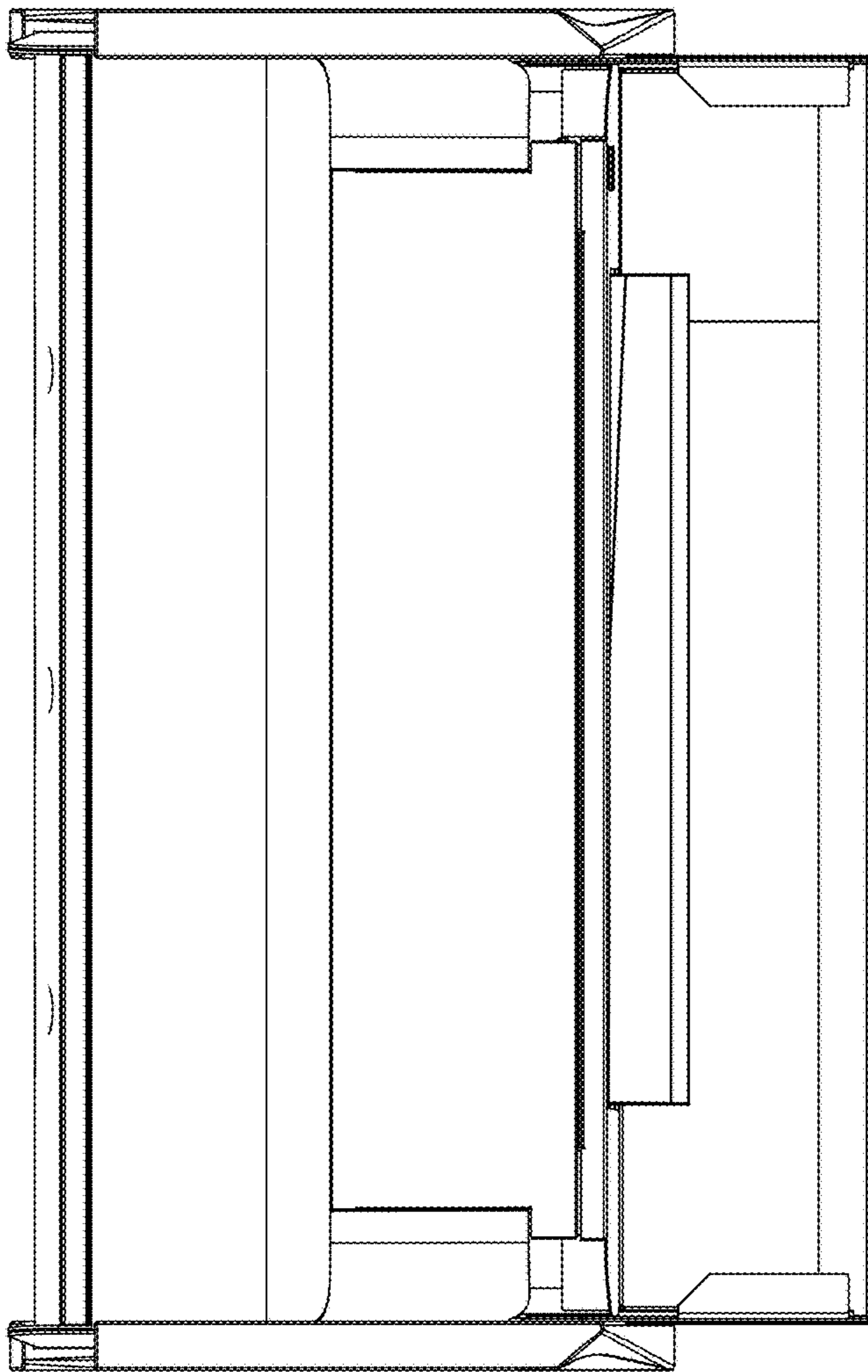


FIG. 7



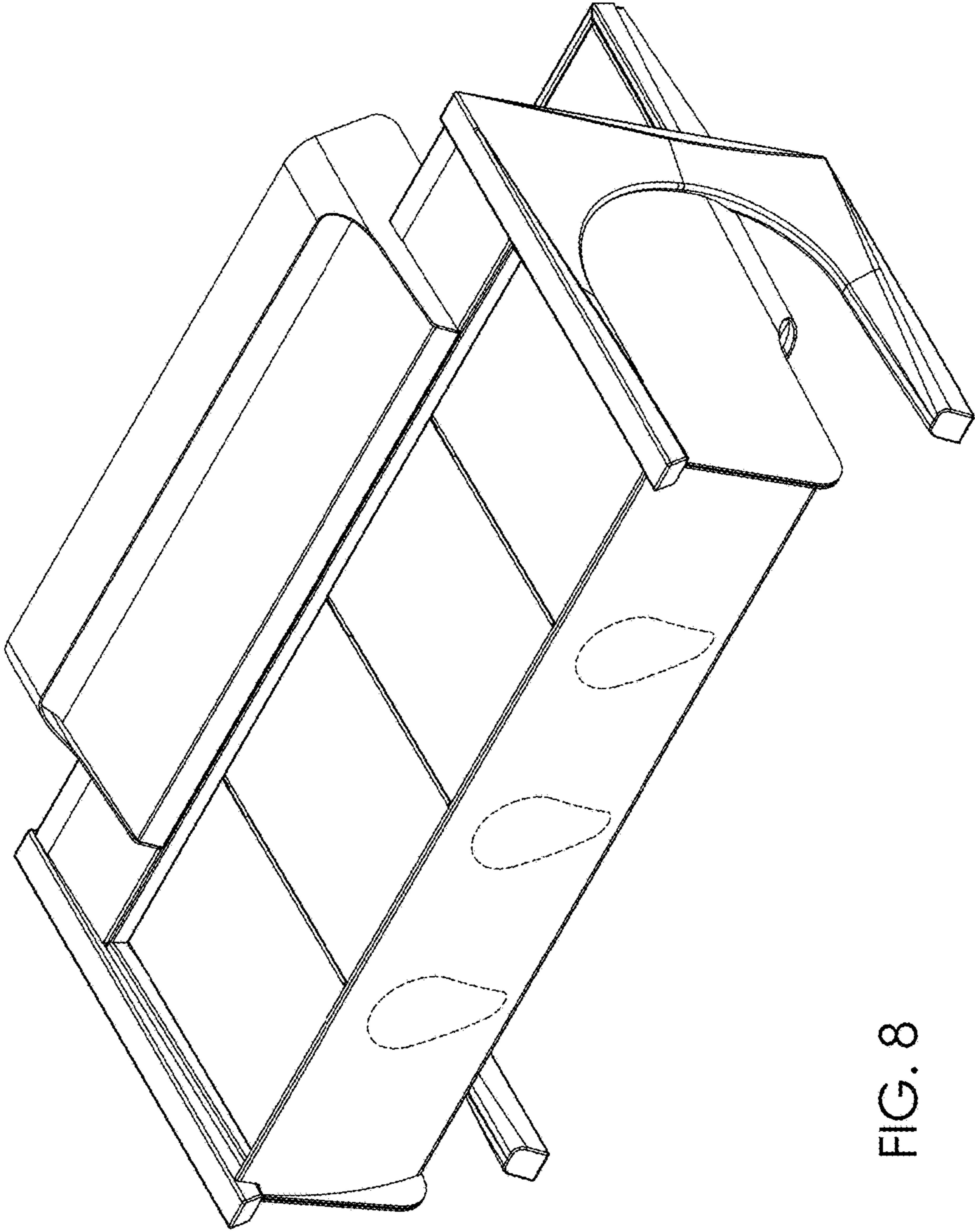


FIG. 8