



US00D880923S

(12) **United States Design Patent** (10) **Patent No.:** **US D880,923 S**
Weller (45) **Date of Patent:** **** Apr. 14, 2020**

(54) **COVER COMPONENT FOR SEAT**
(71) Applicant: **Kusch + Co. GmbH & Co. KG,**
Hallenberg (DE)
(72) Inventor: **Uwe Weller,** Bad Berleburg (DE)
(73) Assignee: **Kusch + Co. GmbH & Co. KG,**
Hallenberg (DE)

D576,812 S 9/2008 Severen
D646,096 S * 10/2011 Langbord D6/716.4
D654,283 S 2/2012 Oliveros et al.
D737,617 S 9/2015 Bellin
D738,658 S 9/2015 Bellin
D753,945 S 4/2016 Johnson et al.
D766,639 S * 9/2016 Glass D6/373
D820,018 S 6/2018 Bellin
D830,092 S 10/2018 Kolberg
(Continued)

(**) Term: **15 Years**
(21) Appl. No.: **29/636,808**
(22) Filed: **Feb. 12, 2018**

FOREIGN PATENT DOCUMENTS

DE 19637307 A1 4/1997
DE 102008007905 B4 2/2008
DE 202011100998 A1 9/2011

Related U.S. Application Data

(63) Continuation-in-part of application No. 29/633,847,
filed on Jan. 16, 2018, now Pat. No. Des. 845,691.
(51) **LOC (12) Cl.** **06-01**
(52) **U.S. Cl.**
USPC **D6/716.4**
(58) **Field of Classification Search**
USPC D6/334-336, 366, 371, 372, 373, 375,
D6/376, 379, 380, 716, 716.1, 716.2,
D6/716.3, 716.4
CPC A47C 3/04; A47C 3/12; A47C 4/02; A47C
4/03; A47C 5/04; A47C 5/12; A47C 7/16;
A47C 31/11
See application file for complete search history.

OTHER PUBLICATIONS

Notice of Allowance dated Nov. 19, 2018 in U.S. Appl. No.
29/633,847, all pages.
Primary Examiner — Mimosa De
(74) *Attorney, Agent, or Firm* — Kilpatrick Townsend &
Stockton LLP

(56) **References Cited**

U.S. PATENT DOCUMENTS

D171,208 S 12/1953 Jones
D171,210 S 12/1953 Jones
D189,347 S 11/1960 Chapman
D203,261 S * 12/1965 Sundberg D6/716.4
D238,837 S * 2/1976 Mulhauser D6/375
D299,191 S 1/1989 Frinier
5,340,197 A 8/1994 Vogtherr
D360,786 S 8/1995 Zapf
D390,024 S * 2/1998 DeJule D6/373

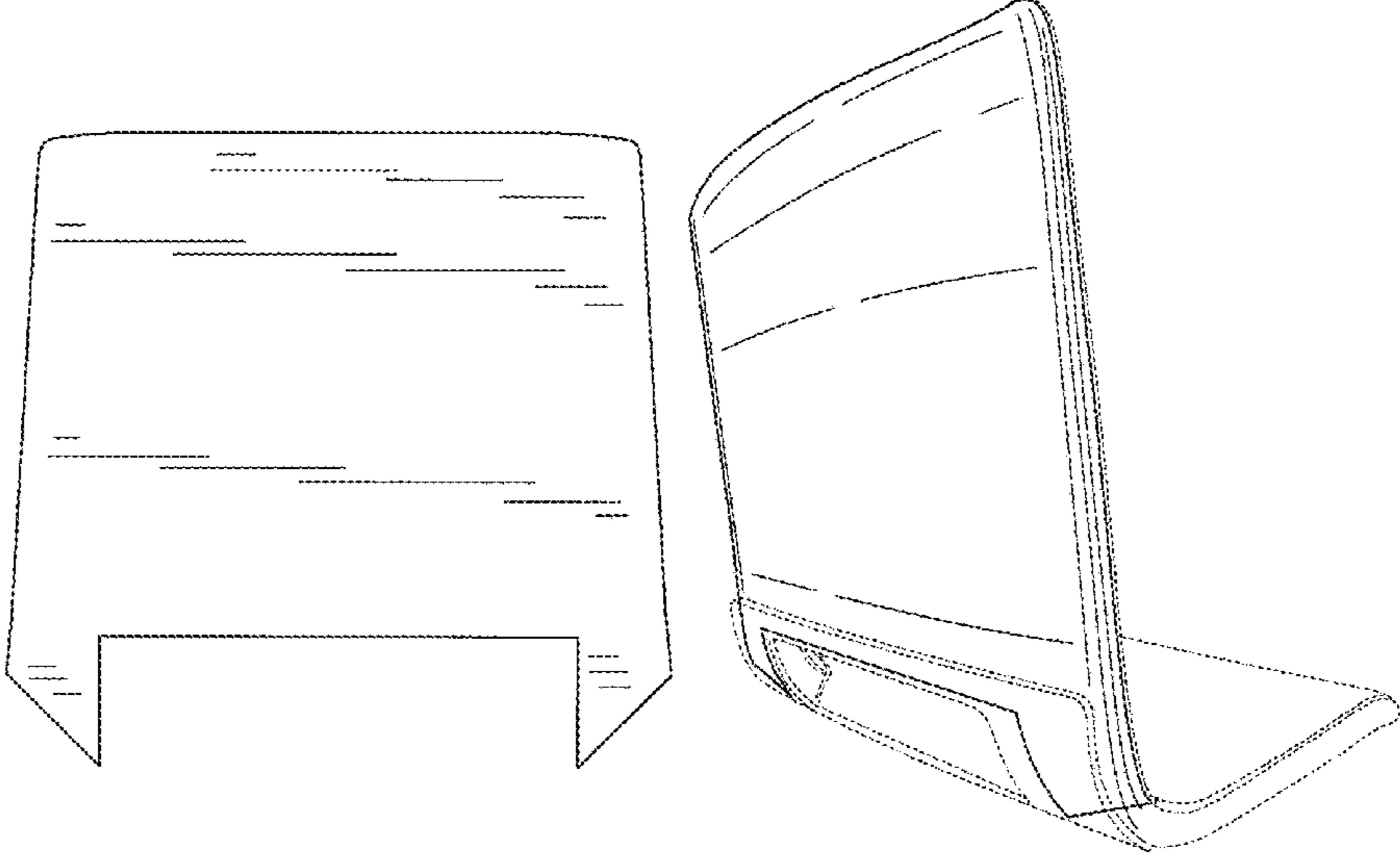
(57) **CLAIM**

The ornamental design for cover component for seat, as
shown and described.

DESCRIPTION

FIG. 1 is a top view of the cover component for seat;
FIG. 2 is a front view thereof (the rear view being a mirror
image);
FIG. 3 is a right side view thereof (the left side view being
identical);
FIG. 4 is a bottom view thereof; and,
FIG. 5 is a front perspective view thereof as shown in its
intended environment.
The features shown in dashed-line form no part of the
claimed invention.

1 Claim, 2 Drawing Sheets



(56)

References Cited

U.S. PATENT DOCUMENTS

D830,749 S * 10/2018 Devries D6/716
D834,867 S * 12/2018 Kolberg D6/716
D845,691 S * 4/2019 Weller D6/716

* cited by examiner

FIG.1

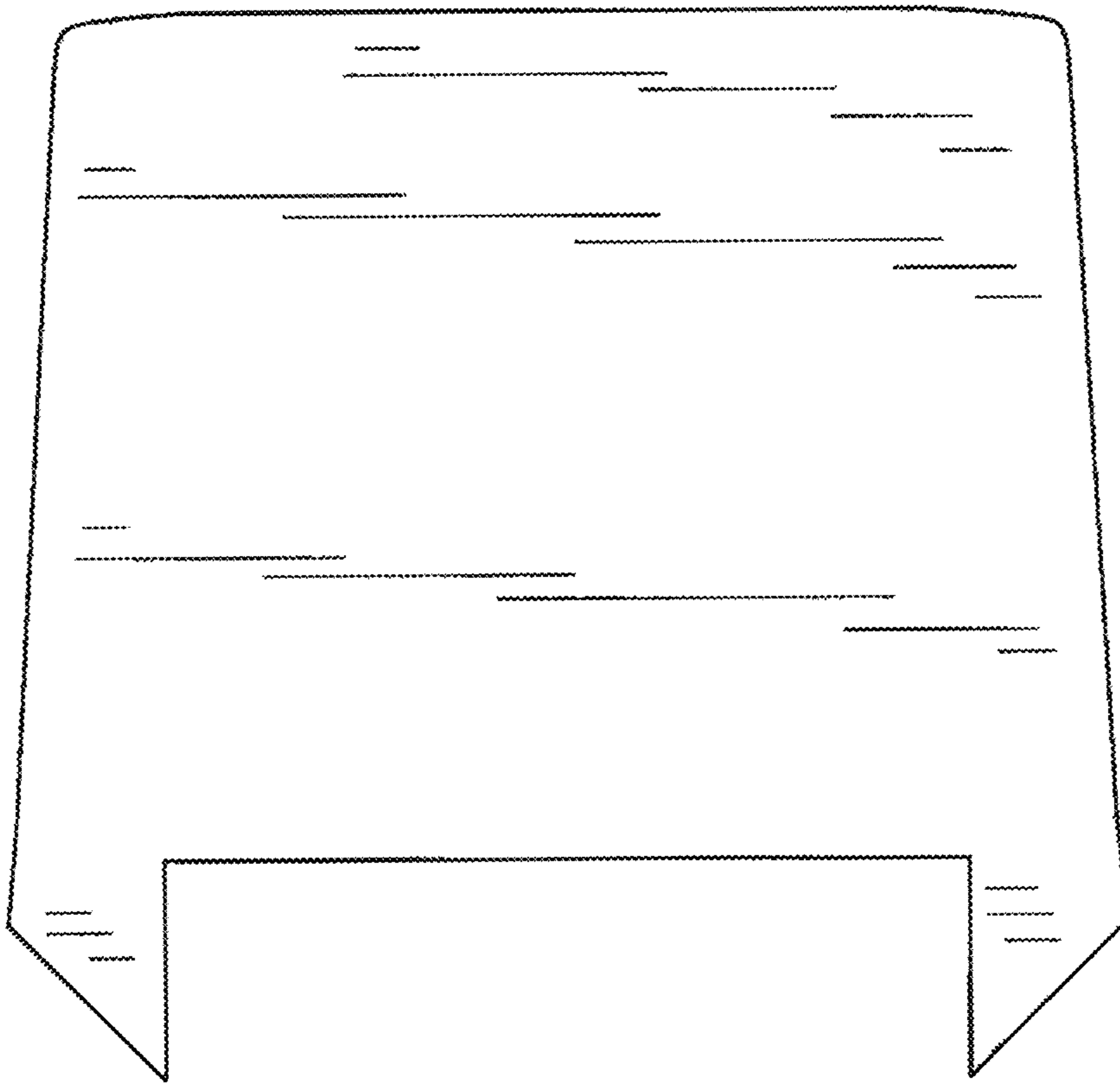


FIG.2

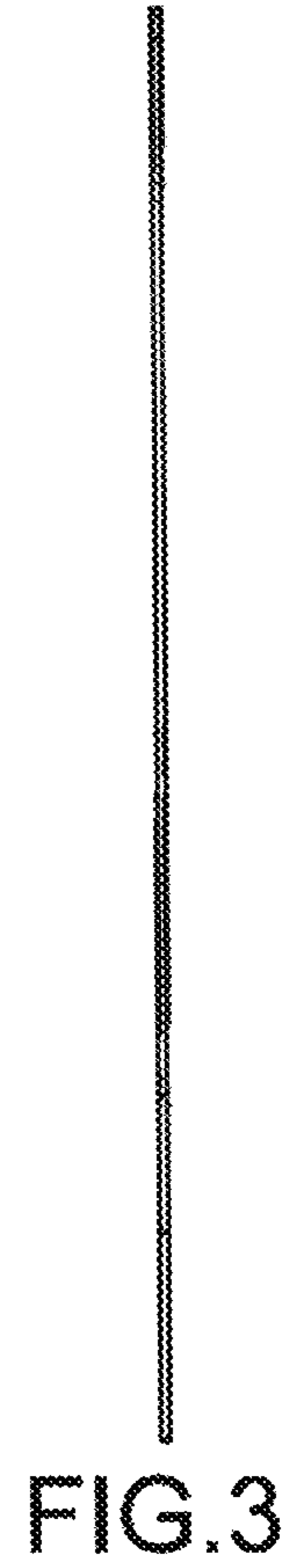


FIG.3

FIG.4

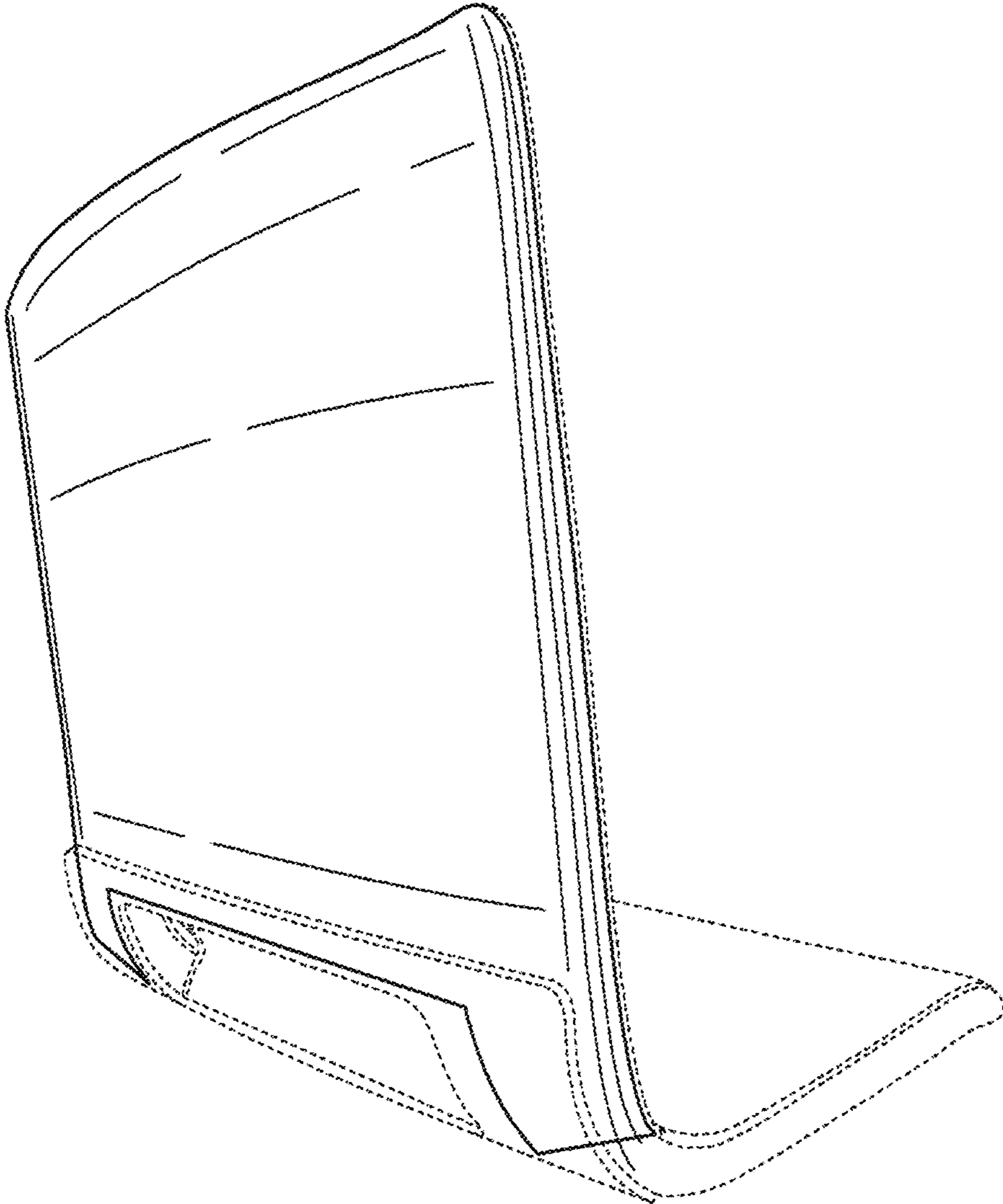


FIG.5