



US00D880922S

(12) **United States Design Patent** (10) **Patent No.:** **US D880,922 S**
Weller (45) **Date of Patent:** **** Apr. 14, 2020**

(54) **COVER COMPONENT FOR SEAT**

FOREIGN PATENT DOCUMENTS

(71) Applicant: **Kusch + Co. GmbH & Co. KG**,
Hallenberg (DE)

DE 19637307 A1 4/1997
DE 102008007905 B4 2/2008
DE 202011100998 A1 9/2011

(72) Inventor: **Uwe Weller**, Bad Berleburg (DE)

OTHER PUBLICATIONS

(73) Assignee: **Kusch + Co. GmbH & Co. KG**,
Hallenberg (DE)

Notice of Allowance dated Nov. 19, 2018 in U.S. Appl. No. 29/633,847, all pages.

(**) Term: **15 Years**

Primary Examiner — Mimoso De

(21) Appl. No.: **29/636,801**

(74) *Attorney, Agent, or Firm* — Kilpatrick Townsend & Stockton LLP

(22) Filed: **Feb. 12, 2018**

Related U.S. Application Data

(57) **CLAIM**

(63) Continuation-in-part of application No. 29/633,847,
filed on Jan. 16, 2018, now Pat. No. Des. 845,691.

The ornamental design for cover component for seat, as shown and described.

(51) **LOC (12) Cl.** **06-01**

DESCRIPTION

(52) **U.S. Cl.**

USPC **D6/716.4**

(58) **Field of Classification Search**

USPC D6/334-336, 366, 371, 372, 373, 375,
D6/376, 379, 380, 716, 716.1, 716.2,
D6/716.3, 716.4; D9/433

CPC A47C 3/04; A47C 3/12; A47C 4/02; A47C
4/03; A47C 5/04; A47C 5/12; A47C 7/16;
A47C 31/11

See application file for complete search history.

FIG. 1 is a top view of the cover component for seat;
FIG. 2 is a front view thereof (the rear view being a mirror
image);

FIG. 3 is a right side view thereof (the left side view being
identical);

FIG. 4 is a bottom view thereof;

FIG. 5 is a front perspective view thereof as shown in use in
its intended environment;

FIG. 6 is a front perspective view thereof as shown in use in
its intended environment, with the seat shown in dashed line;
and,

FIG. 7 is a rear perspective view there as shown in use in its
intended environment, with the seat shown in dashed line.

The features shown in dashed-line form no part of the
claimed invention.

This application is a continuation-in-part of U.S. Design
Application No. 29/633,847, filed Jan. 16, 2018, the com-
plete disclosure of which is herein incorporated by refer-
ence.

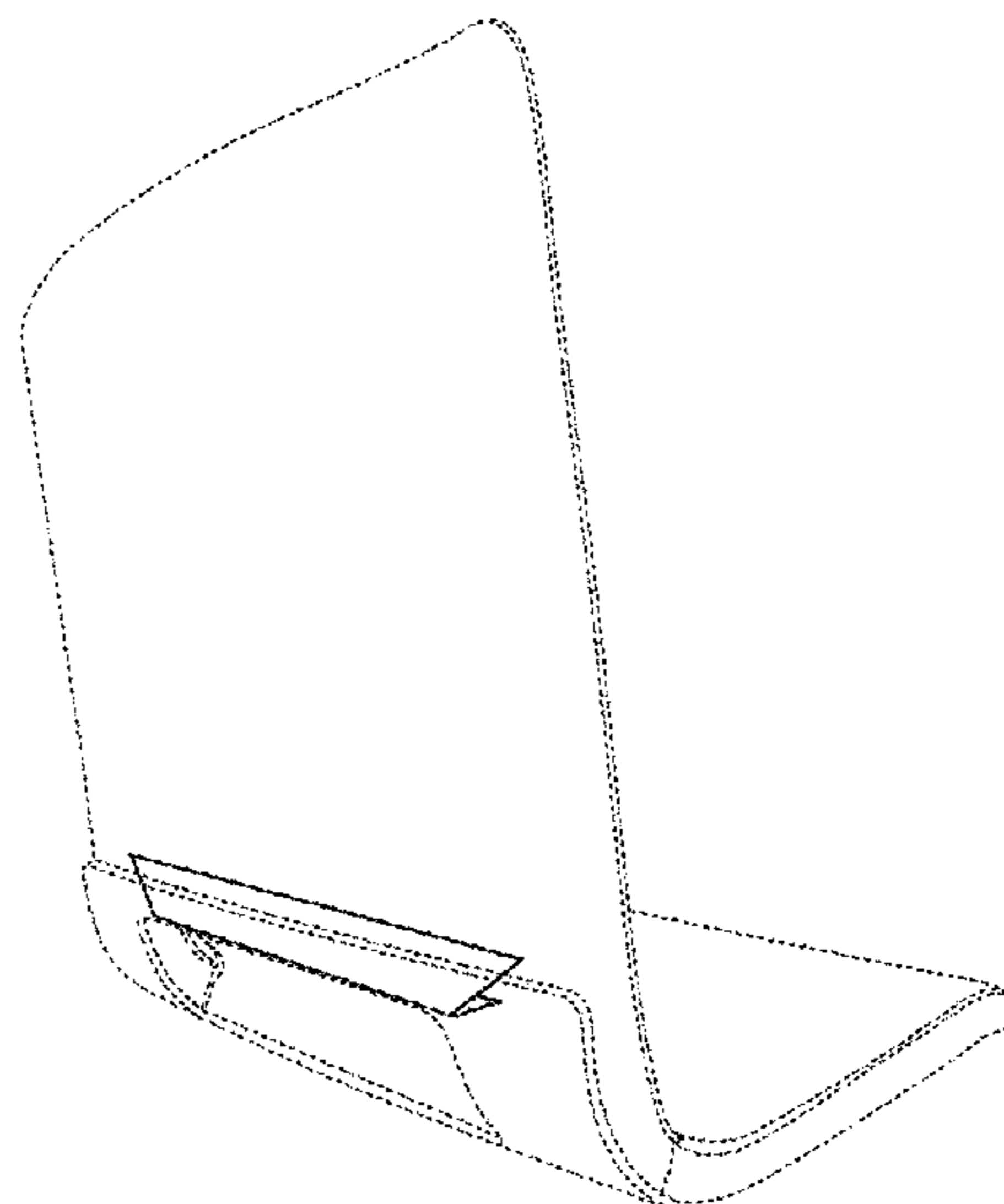
(56) **References Cited**

U.S. PATENT DOCUMENTS

D171,208 S 12/1953 Jones
D171,210 S 12/1953 Jones
D189,347 S 11/1960 Chapman
D299,191 S 1/1989 Frinier
5,340,197 A 8/1994 Vogtherr
D360,786 S 8/1995 Zapf
D372,670 S * 8/1996 Healey D9/433
D383,977 S * 9/1997 Allinsmith D9/433

(Continued)

1 Claim, 4 Drawing Sheets



(56)

References Cited

U.S. PATENT DOCUMENTS

D410,385 S	*	6/1999	Bjornholt	D9/433
D576,812 S		9/2008	Severen	
D600,954 S	*	9/2009	Kumazawa	D6/373
D646,096 S	*	10/2011	Langbord	D6/716.4
D654,283 S		2/2012	Oliveros et al.	
D737,617 S		9/2015	Bellin	
D738,658 S		9/2015	Bellin	
D753,945 S		4/2016	Johnson et al.	
D761,049 S	*	7/2016	Pan	D6/716.4
D799,254 S	*	10/2017	Mulder	D6/716.4
D801,742 S	*	11/2017	Nakamura	D6/716.4
D820,018 S		6/2018	Bellin	
D830,092 S		10/2018	Kolberg	
D830,749 S	*	10/2018	Devries	D6/716
D845,691 S	*	4/2019	Weller	D6/716
D859,982 S	*	9/2019	Prince	B65D 5/0227 D9/433

* cited by examiner



FIG.1

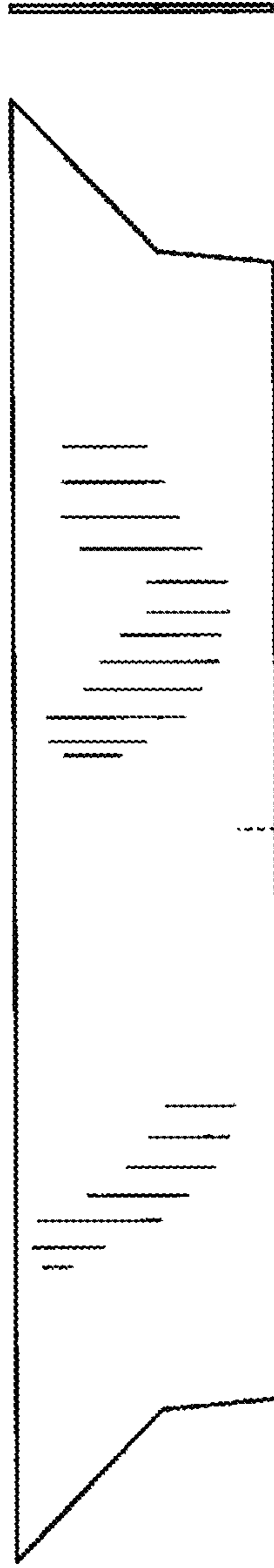


FIG.2

FIG.3



FIG.4

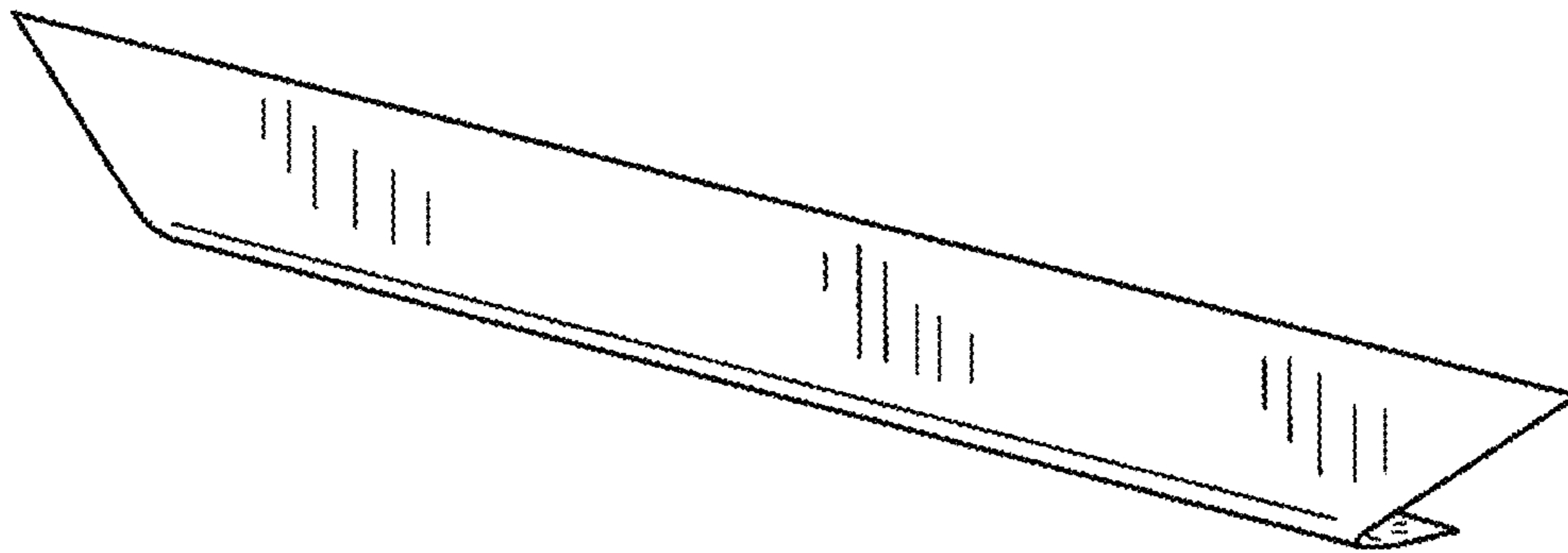


FIG.5

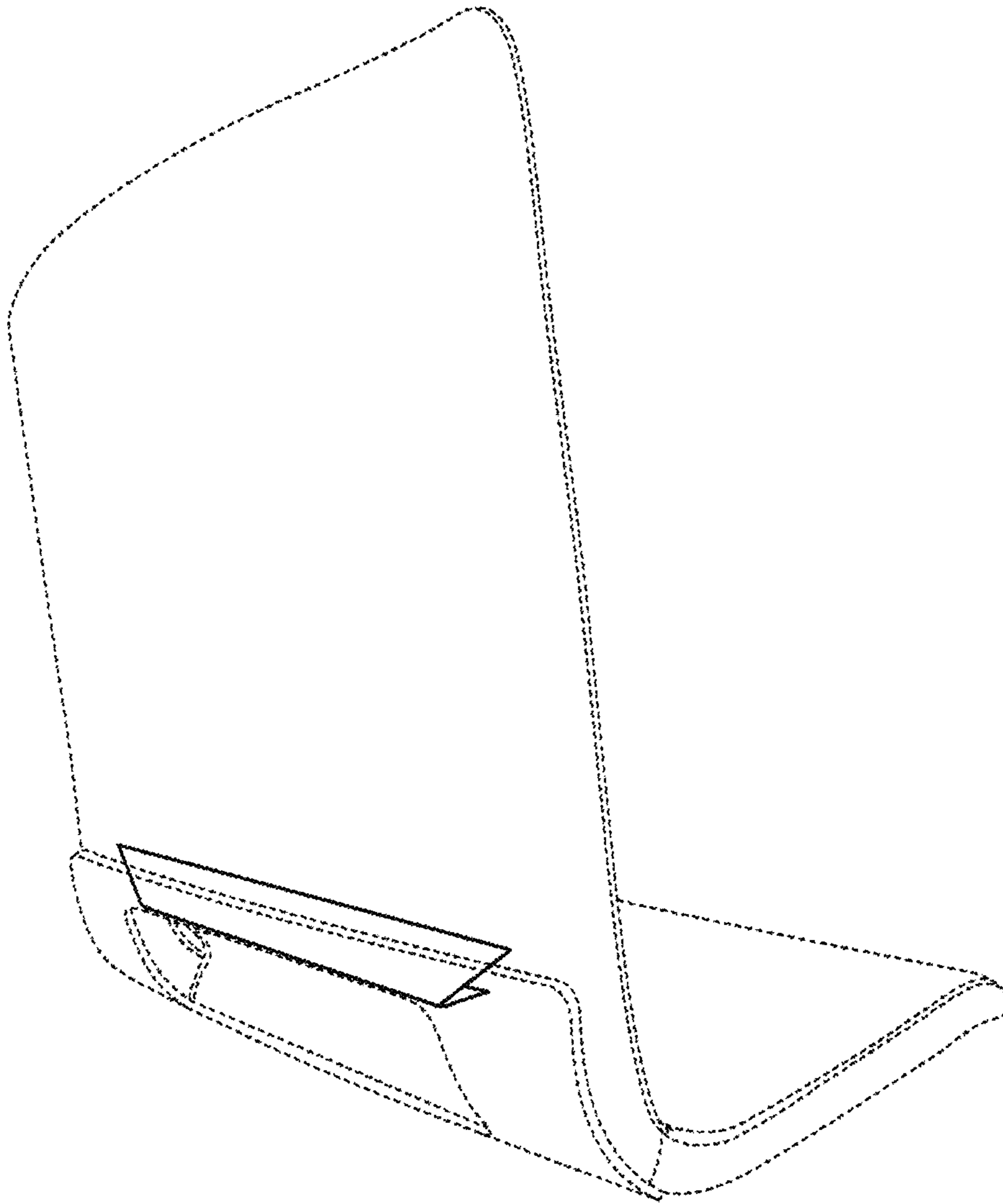


FIG.6

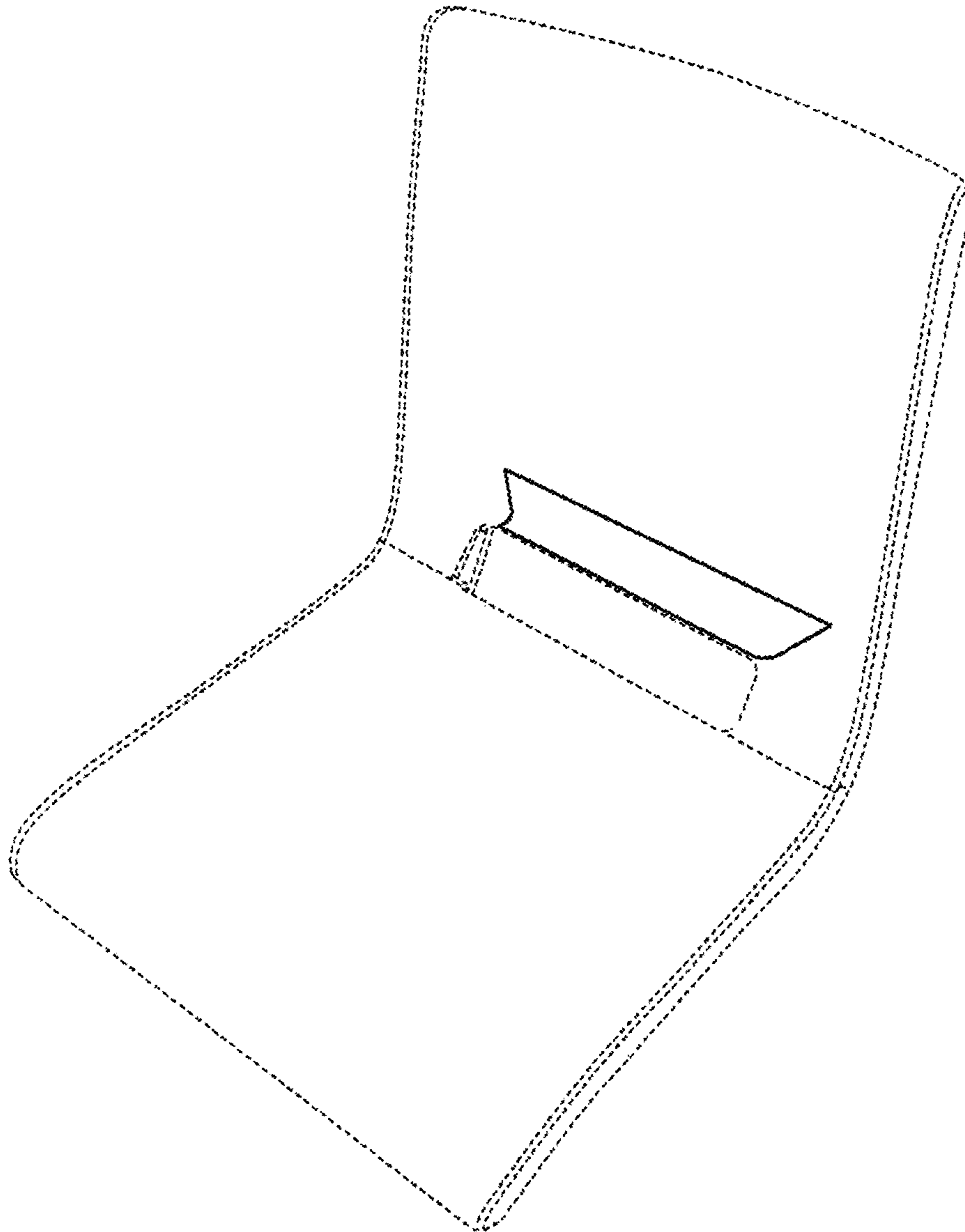


FIG.7