



US00D880920S

(12) **United States Design Patent**
Cohen

(10) **Patent No.:** **US D880,920 S**

(45) **Date of Patent:** **** Apr. 14, 2020**

(54) **RIGHT ARMREST**

(71) Applicant: **Rio Brands, LLC**, Philadelphia, PA (US)

(72) Inventor: **Warren Cohen**, Philadelphia, PA (US)

(73) Assignee: **Rio Brands, LLC**, Watertown, CT (US)

(**) Term: **15 Years**

(21) Appl. No.: **29/618,916**

(22) Filed: **Sep. 25, 2017**

(51) **LOC (12) Cl.** **06-06**

(52) **U.S. Cl.**
USPC **D6/716.2**

(58) **Field of Classification Search**
USPC D6/328, 334, 354, 355, 364, 366, 601,
D6/655, 702, 708, 708.16, 708.17,
D6/708.18, 708.23, 708.24, 708.25, 712,
D6/716.1, 716.2, 716.3, 716.4, 716.5,
D6/716.6, 716.7; D21/662, 694, 695
CPC .. A47C 1/03; A47C 4/02; A47C 31/00; B64D
11/06; B62J 1/18; B60N 2/01; H01R
13/60
See application file for complete search history.

(56) **References Cited**

U.S. PATENT DOCUMENTS

D296,094 S * 6/1988 Sheek D12/421
D338,791 S * 8/1993 Cohen D6/716.2
D376,060 S * 12/1996 Cohen D6/716.2
D543,737 S * 6/2007 Held D6/716.2
D547,981 S * 8/2007 Cohen D6/716.2

D557,949 S * 12/2007 Moorhouse D6/716.2
8,002,357 B2 * 8/2011 Cebula B60N 2/767
297/411.32
D645,681 S * 9/2011 Grell D6/716.2
D693,617 S * 11/2013 Koski D6/716.2
9,346,504 B2 * 5/2016 Segato B62J 1/00
10,368,649 B2 * 8/2019 Cohen B67B 7/16
10,405,659 B2 * 9/2019 Garrison H04M 1/04
10,414,310 B2 * 9/2019 Nozaki A47C 7/54
D867,044 S * 11/2019 Cohen D6/716.2

* cited by examiner

Primary Examiner — Kevin K Rudzinski

Assistant Examiner — Paul D Bohannon

(74) *Attorney, Agent, or Firm* — Carmody Torrance
Sandak & Hennessey LLP

(57) **CLAIM**

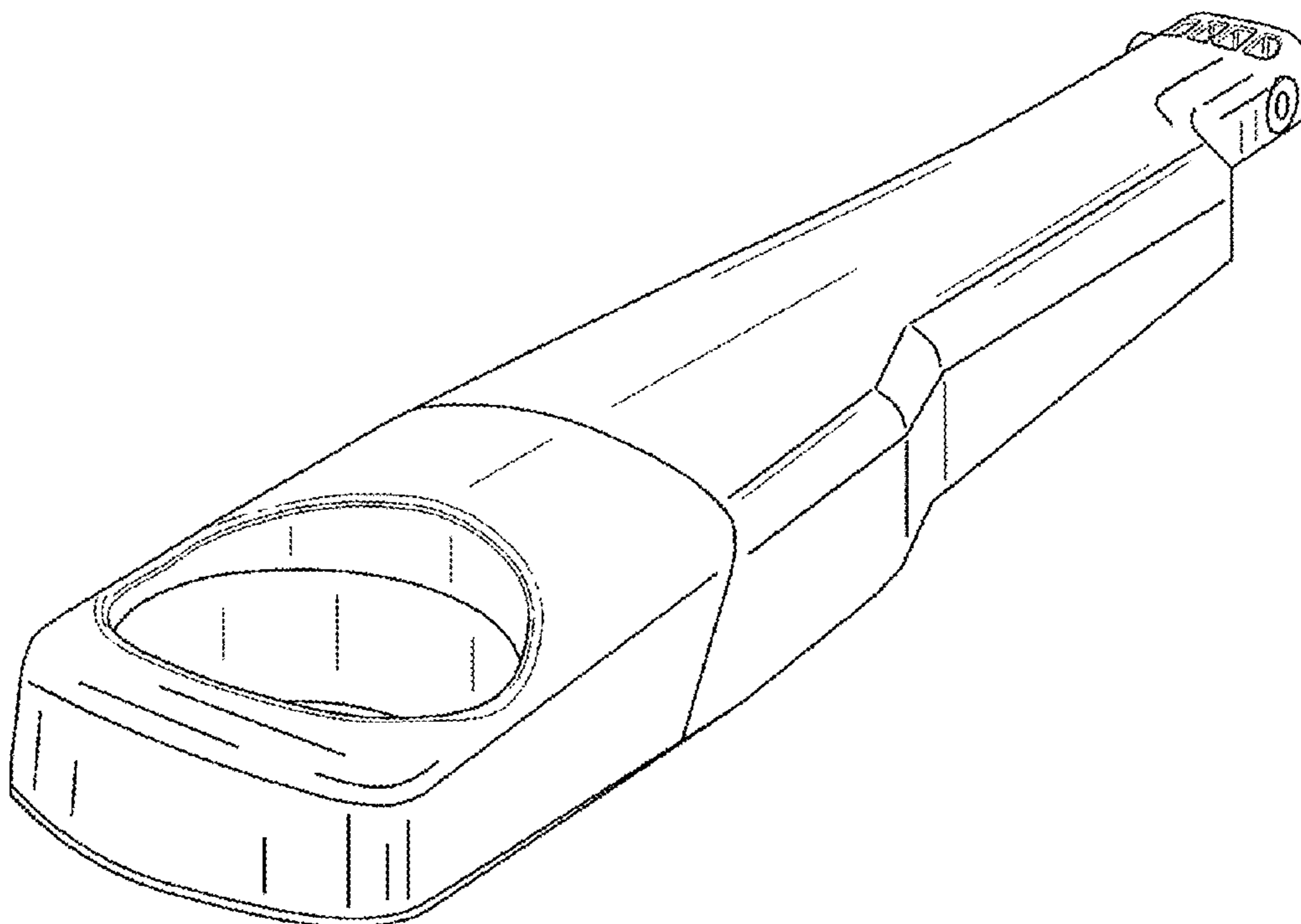
The ornamental design for a right armrest, as shown and described.

DESCRIPTION

FIG. 1 is a perspective view of a right armrest;
FIG. 2 is a front view thereof;
FIG. 3 is a rear view thereof;
FIG. 4 is a left side view thereof;
FIG. 5 is a right side view thereof;
FIG. 6 is a top view thereof; and,
FIG. 7 is a bottom view thereof.

The broken lines shown in the drawings are for the purpose of illustrating portions of the article and form no part of the claimed design.

1 Claim, 7 Drawing Sheets



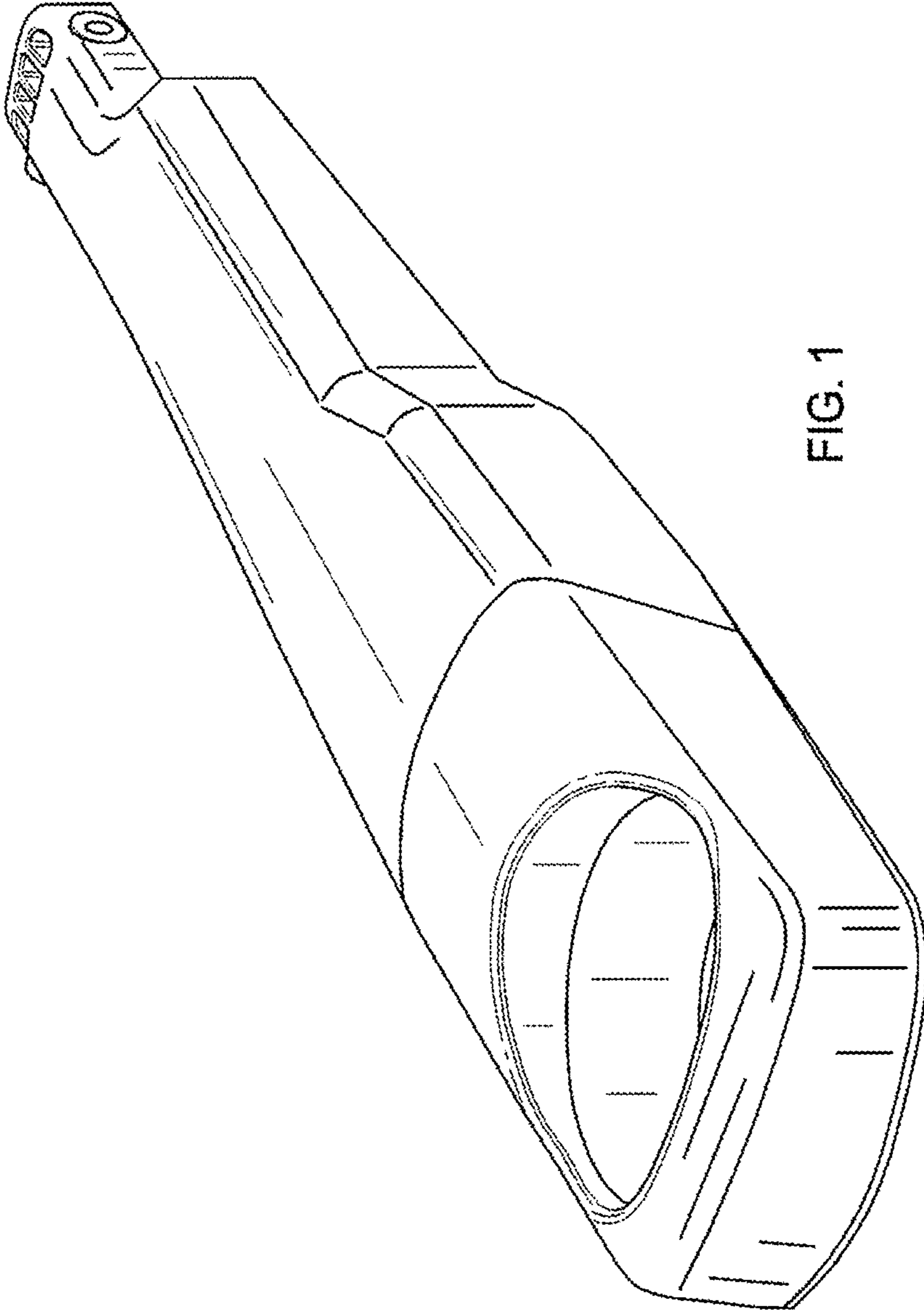


FIG. 1

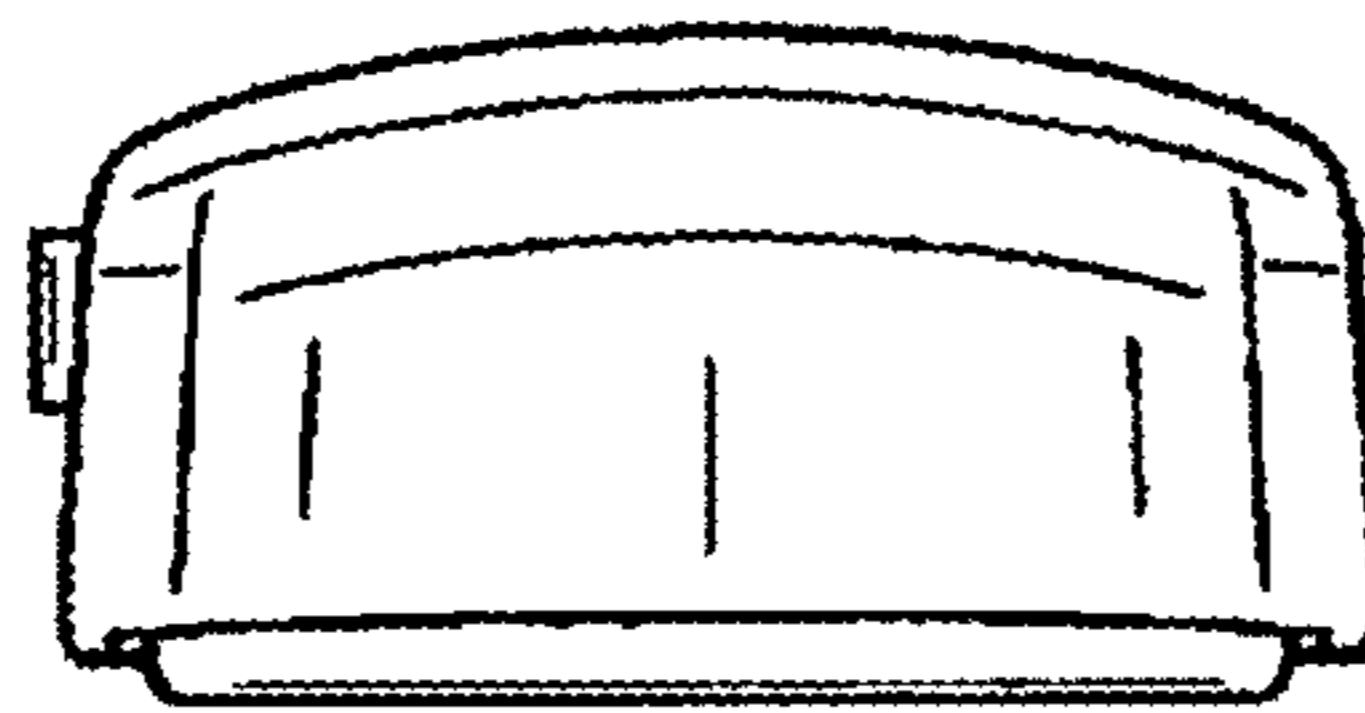


FIG. 2

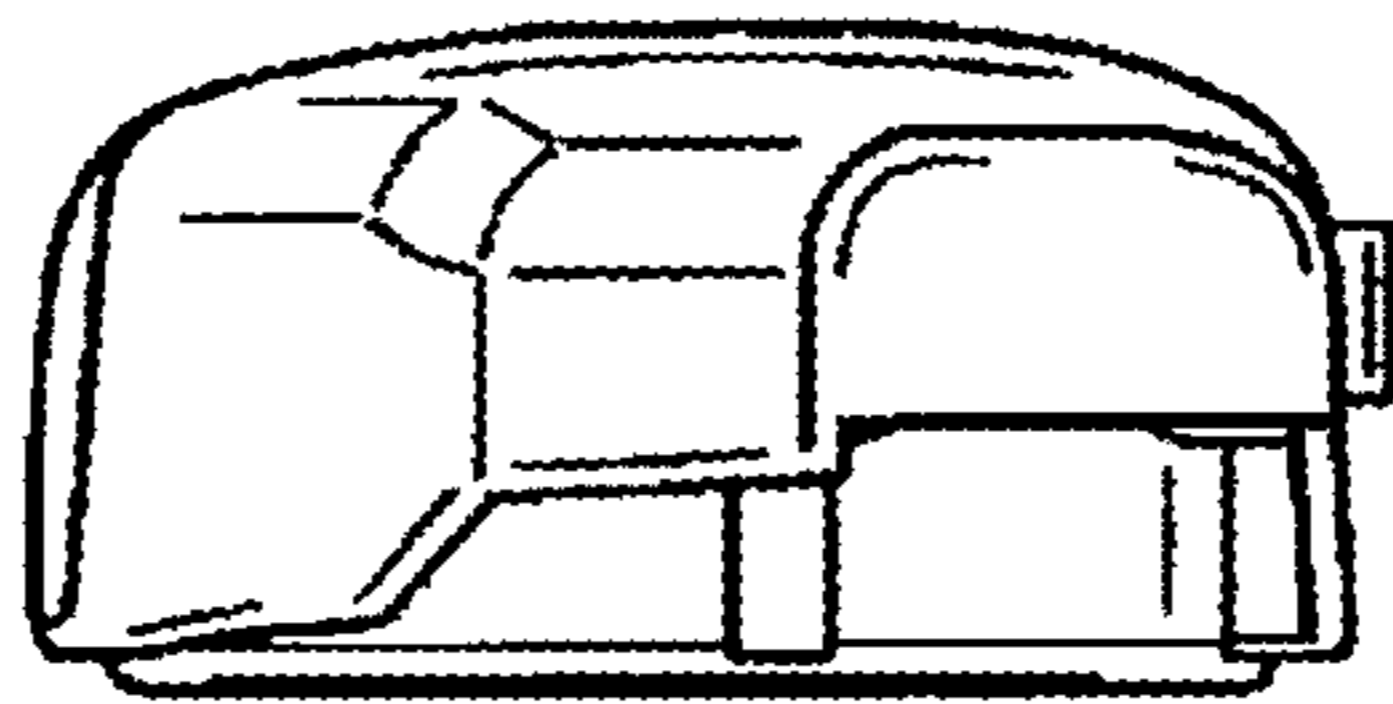


FIG. 3

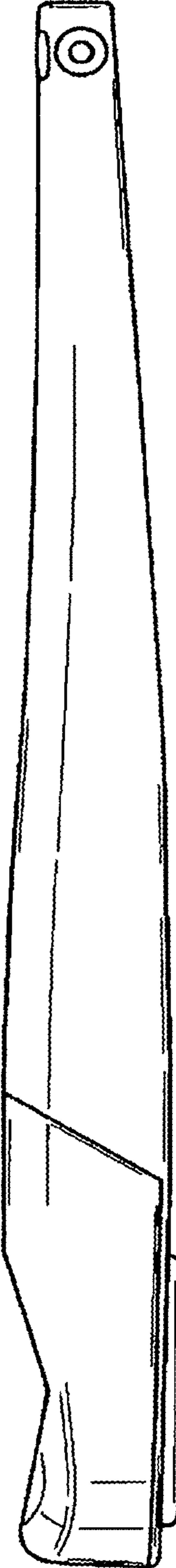


FIG. 4

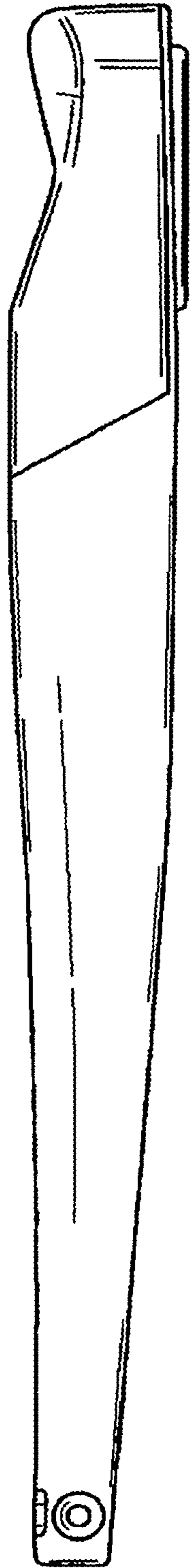


FIG. 5

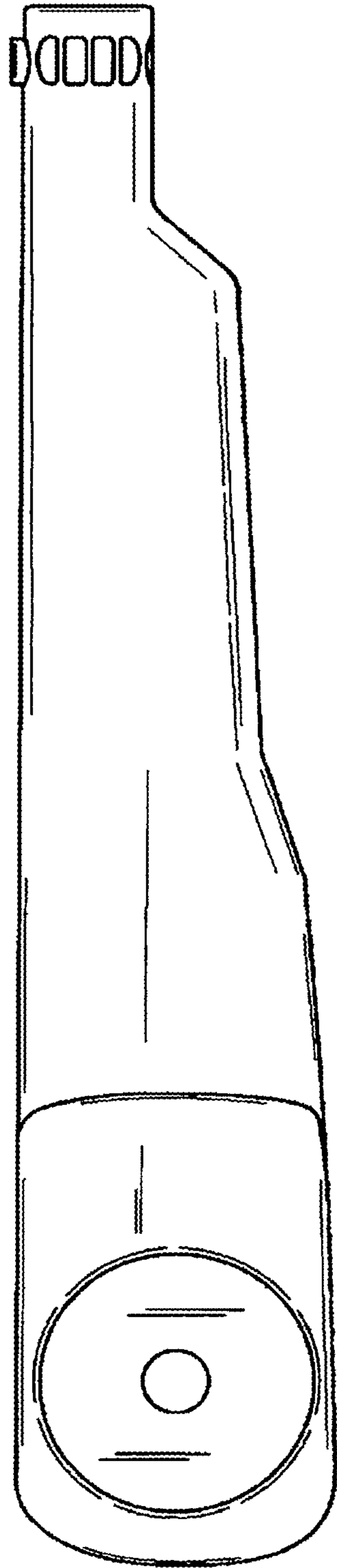


FIG. 6

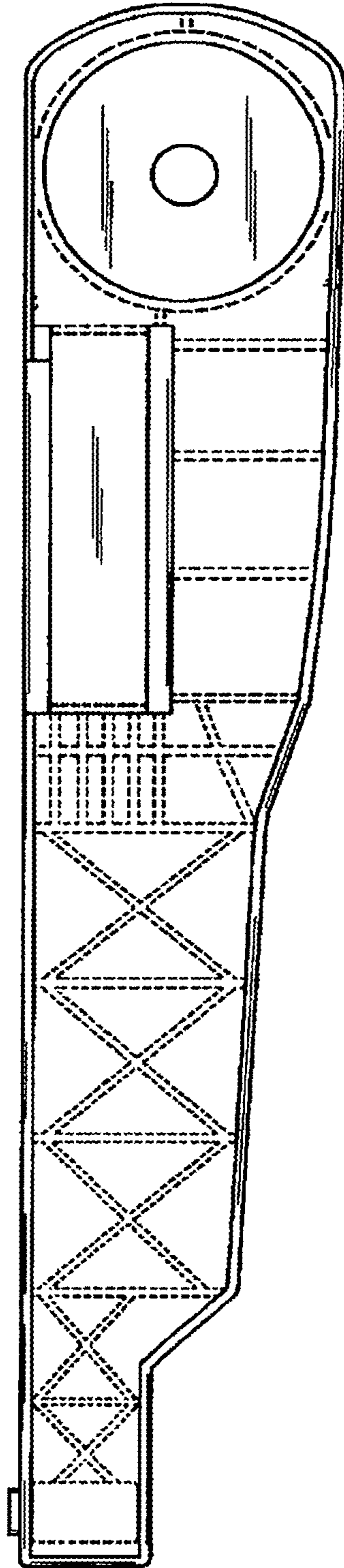


FIG. 7