



US00D880919S

(12) **United States Design Patent**
Jehs et al.

(10) **Patent No.:** **US D880,919 S**

(45) **Date of Patent:** **** Apr. 14, 2020**

(54) **CHAIR**

D799,873 S * 10/2017 Swy D6/716
D799,874 S * 10/2017 Swy D6/716
D864,638 S 10/2019 Jehs et al.

(71) Applicant: **HERMAN MILLER, INC.**, Zeeland, MI (US)

(72) Inventors: **Markus Jehs**, Stuttgart (DE); **Jurgen Laub**, Stuttgart (DE)

(73) Assignee: **HERMAN MILLER, INC.**, Zeeland, MI (US)

(**) Term: **15 Years**

(21) Appl. No.: **29/704,233**

(22) Filed: **Sep. 3, 2019**

Related U.S. Application Data

(60) Continuation of application No. 16/404,301, filed on May 6, 2019, which is a division of application No. 29/604,384, filed on May 17, 2017, now Pat. No. Des. 864,638.

(51) **LOC (12) Cl.** **06-01**

(52) **U.S. Cl.**
USPC **D6/716; D6/366**

(58) **Field of Classification Search**
USPC D6/334-336, 364, 365, 366, 374, 375, D6/379, 380, 716, 716.1, 716.2, 716.3, D6/716.4
CPC .. A47C 3/24; A47C 7/021; A47C 7/40; A47C 7/46; A47C 7/16; A47C 7/18; A47C 7/24; A47C 7/54
See application file for complete search history.

(56) **References Cited**

U.S. PATENT DOCUMENTS

D245,886 S 9/1977 Wilson
D664,381 S 7/2012 Kubryk
D730,098 S 5/2015 Kubryk
D762,407 S 8/2016 Kubryk
D766,640 S * 9/2016 Kubryk D6/716

OTHER PUBLICATIONS

Knoll Home Design "Womb Chair" website: <https://www.knoll.com/product/womb-chair> available as early as Mar. 12, 2017 (8 pages).

* cited by examiner

Primary Examiner — Mimoso De

(74) *Attorney, Agent, or Firm* — Michael Best & Friedrich LLP

(57) **CLAIM**

We claim the ornamental design for a chair, as shown and described.

DESCRIPTION

FIG. 1 is a perspective view of a first embodiment of a chair embodying the invention.

FIG. 2 is a front view of the chair of FIG. 1.

FIG. 3 is a rear view of the chair of FIG. 1.

FIG. 4 is a first side view of the chair of FIG. 1.

FIG. 5 is a second side view of the chair of FIG. 1.

FIG. 6 is a top view of the chair of FIG. 1.

FIG. 7 is a bottom view of the chair of FIG. 1.

FIG. 8 is a perspective view of a second embodiment of the chair embodying the invention.

FIG. 9 is a front view of the chair of FIG. 8.

FIG. 10 is a rear view of the chair of FIG. 8.

FIG. 11 is a first side view of the chair of FIG. 8.

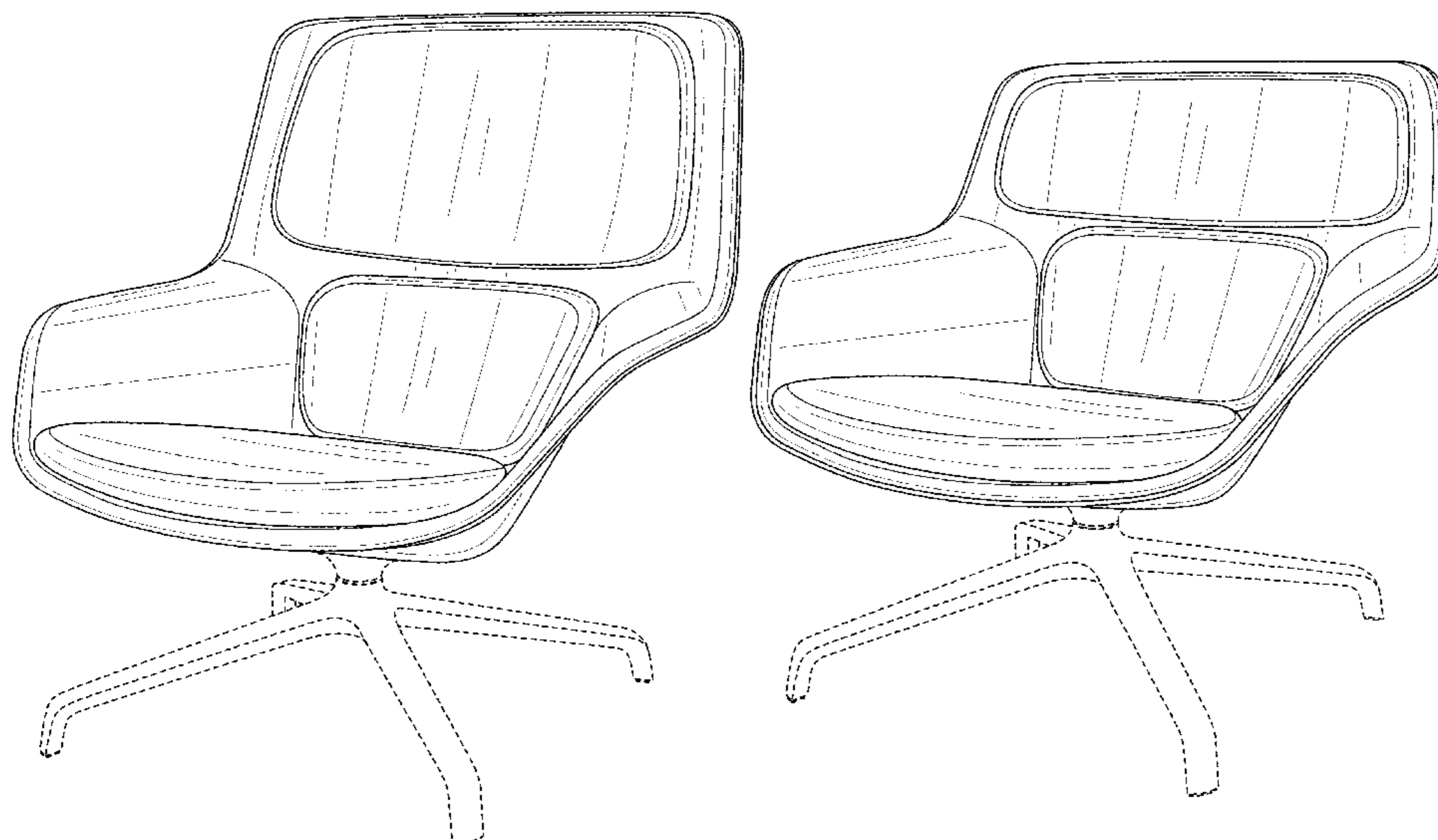
FIG. 12 is a second side view of the chair of FIG. 8.

FIG. 13 is a top view of the chair of FIG. 8; and,

FIG. 14 is a bottom view of the chair of FIG. 8.

Portions of the chair shown in broken lines are for illustrative purposes only and form no part of the claimed design.

1 Claim, 14 Drawing Sheets



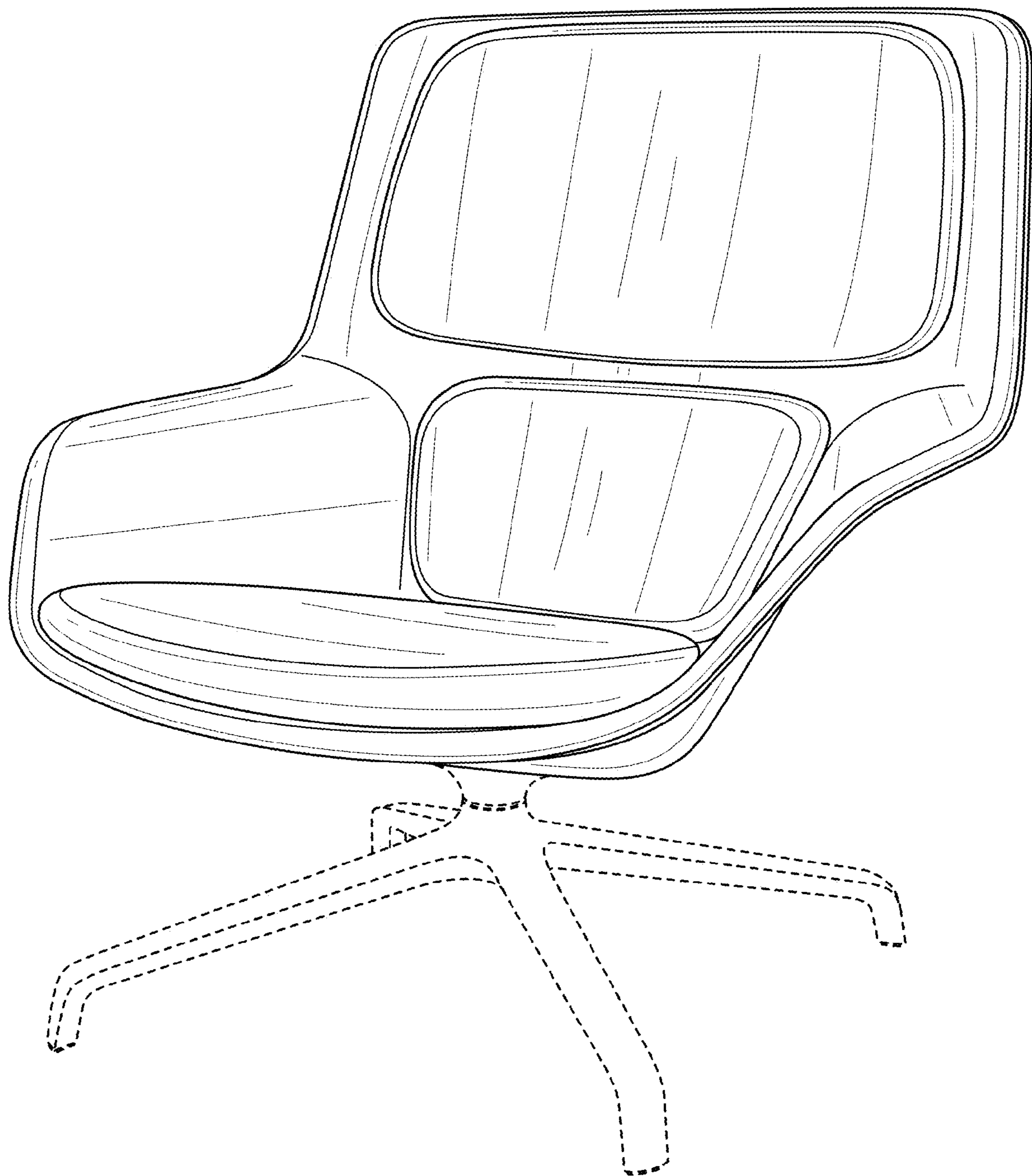


FIG. 1

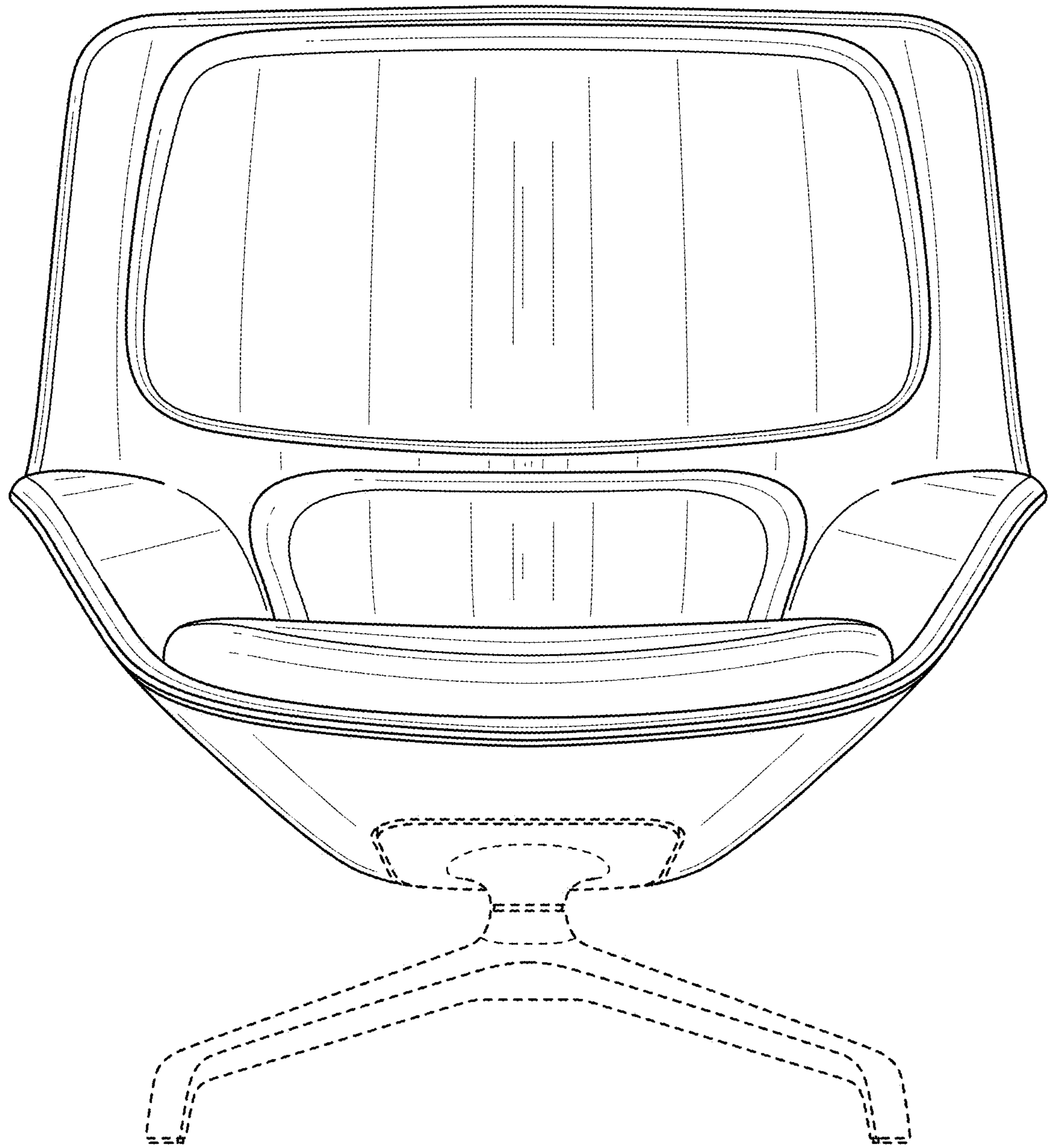


FIG. 2

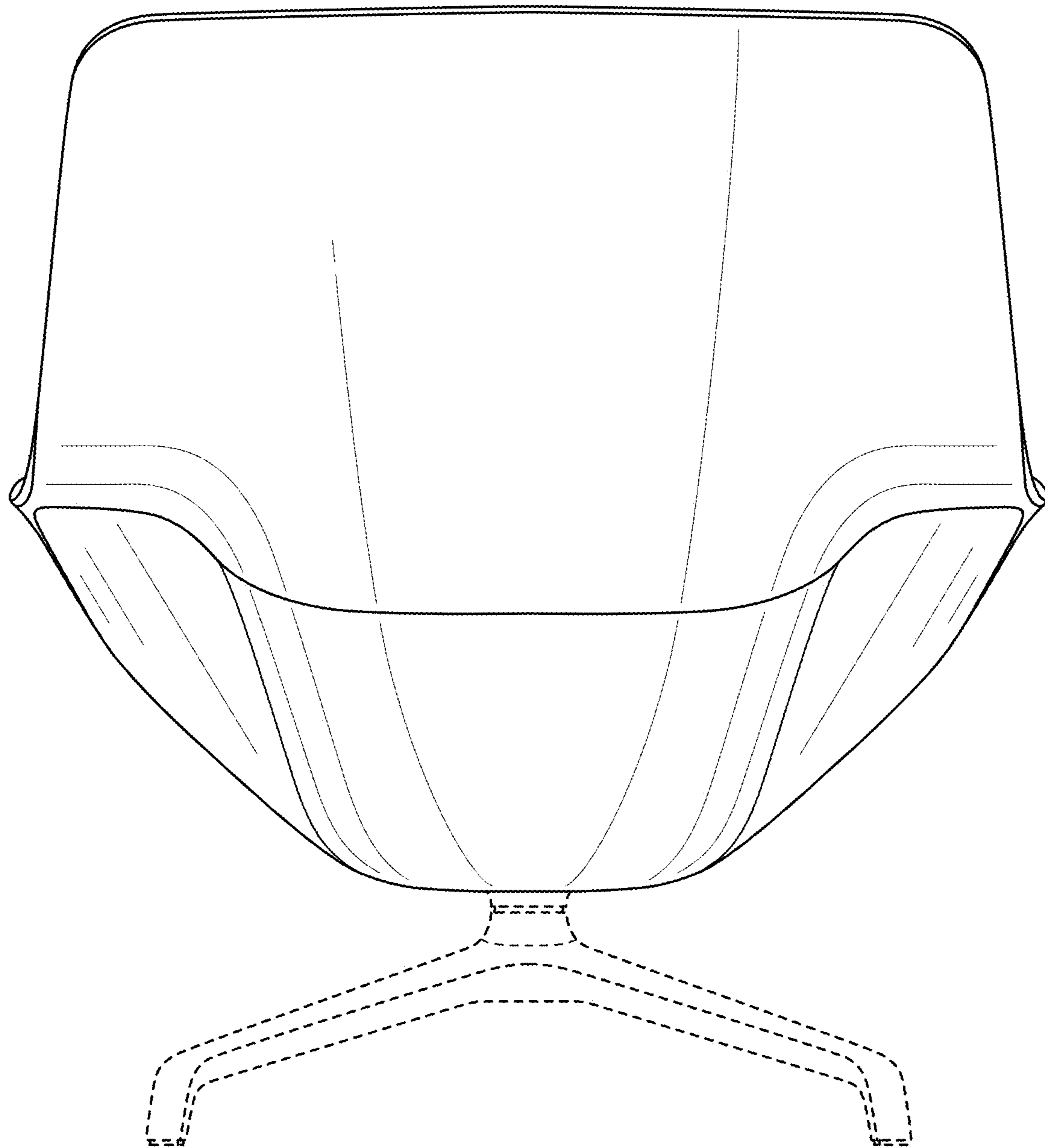


FIG. 3



FIG. 4



FIG. 5

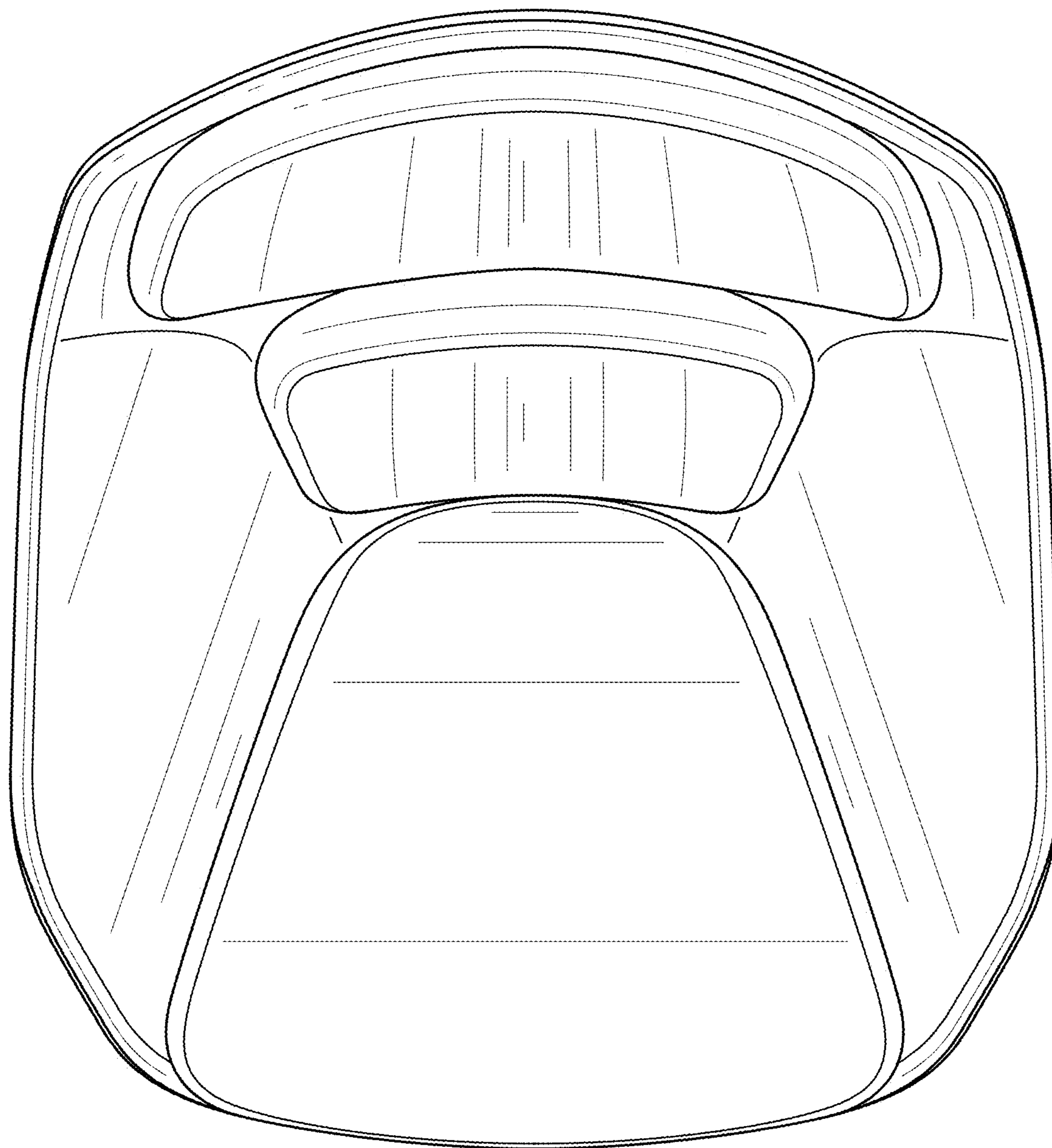


FIG. 6

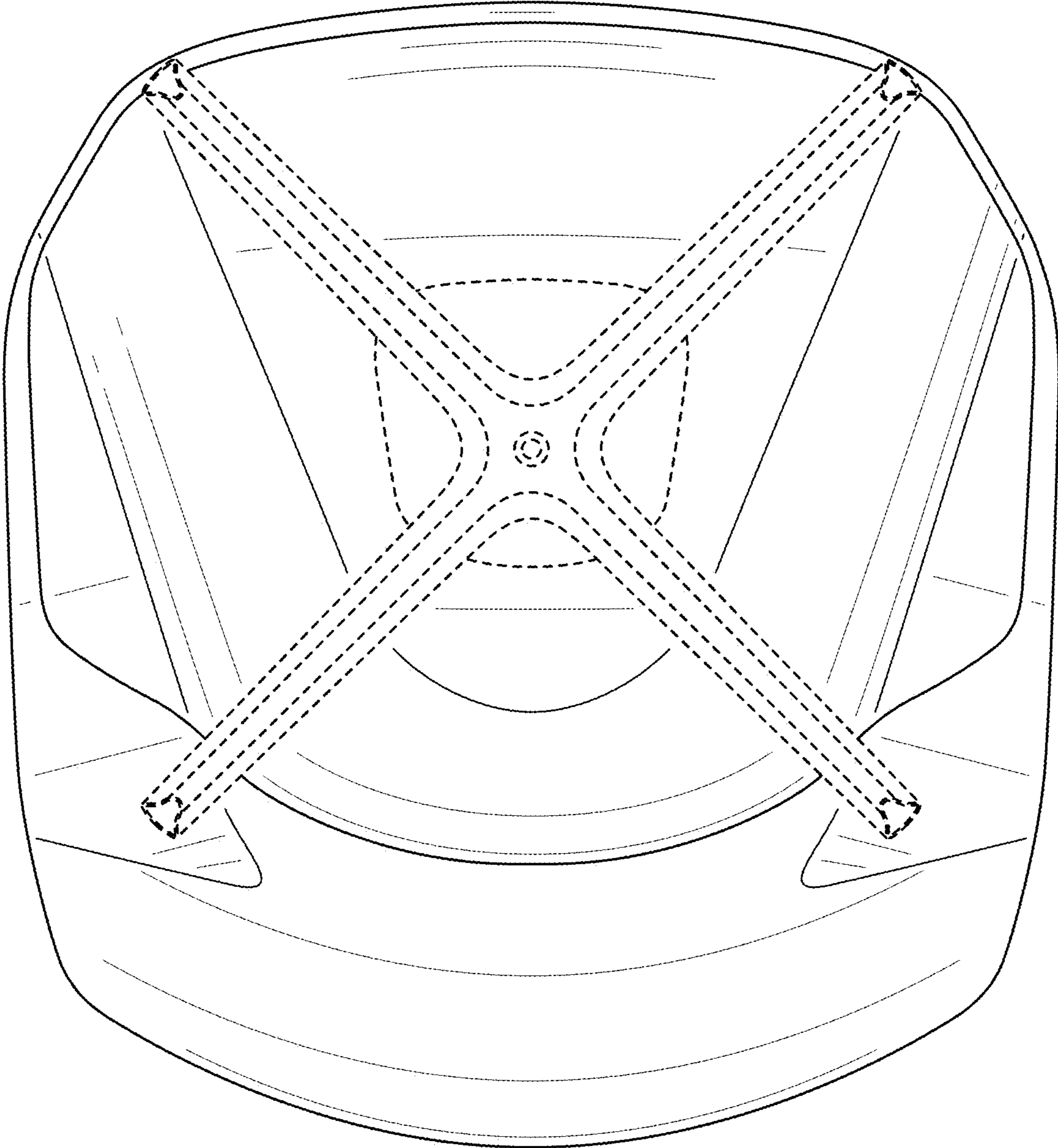


FIG. 7

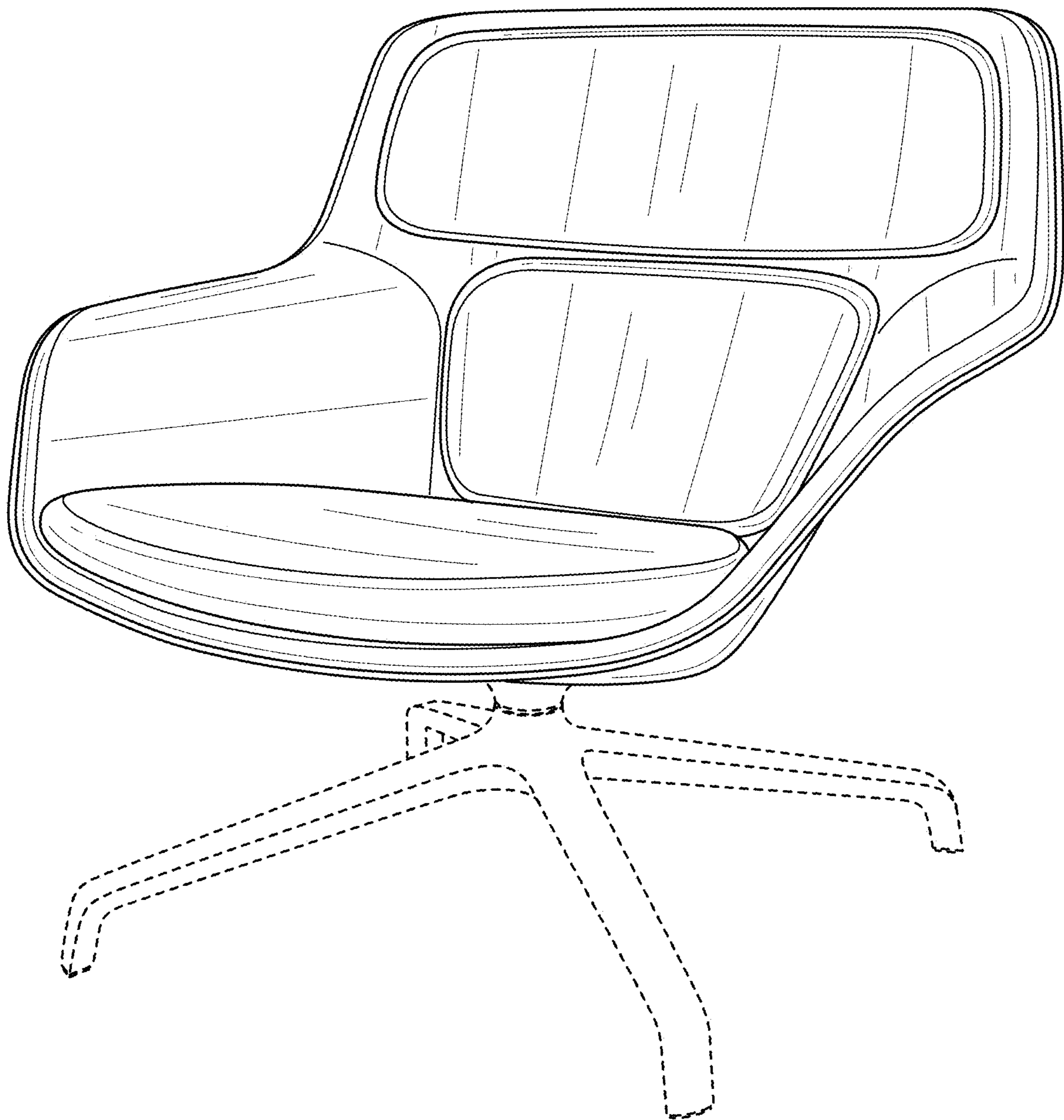


FIG. 8

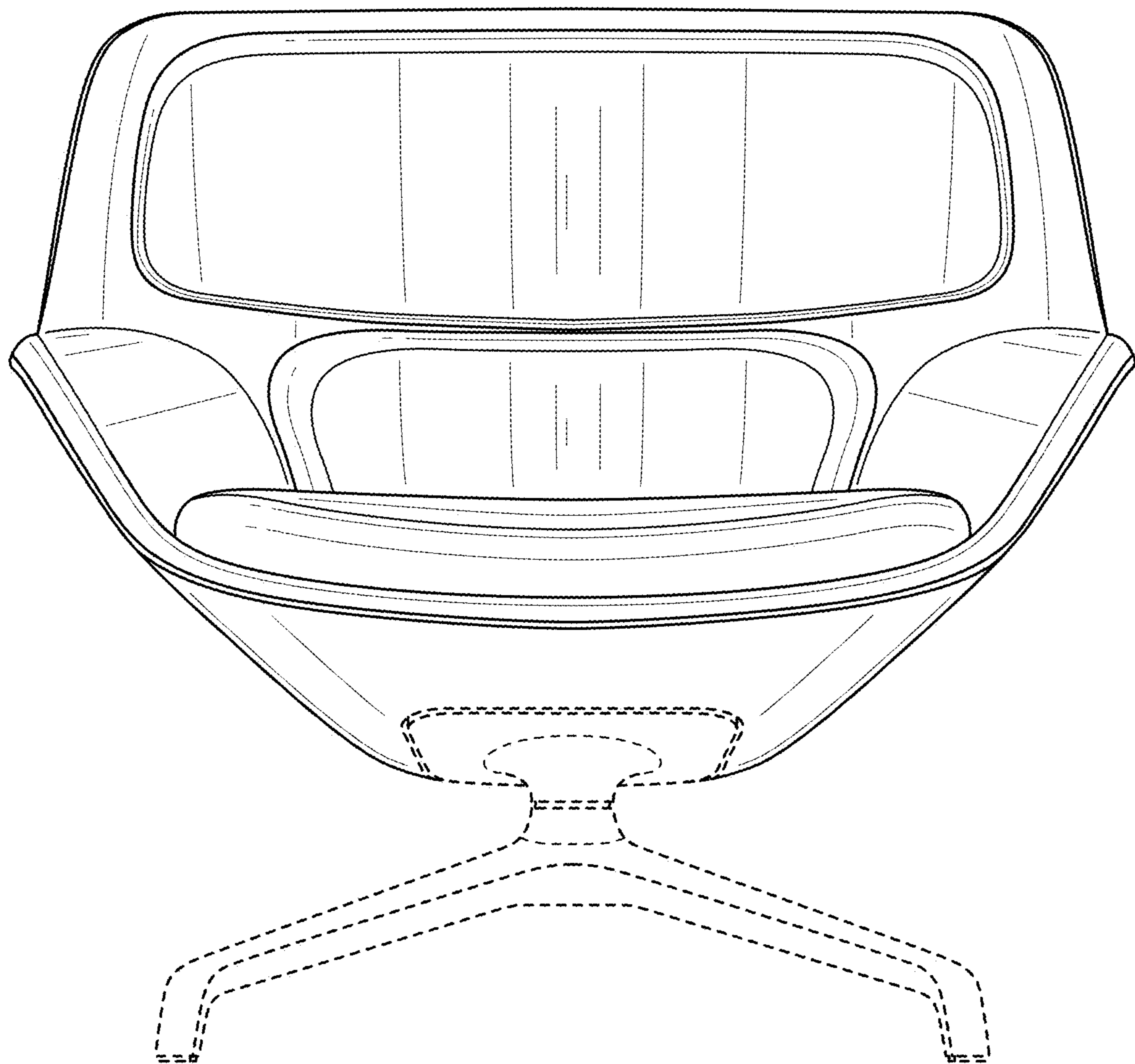


FIG. 9

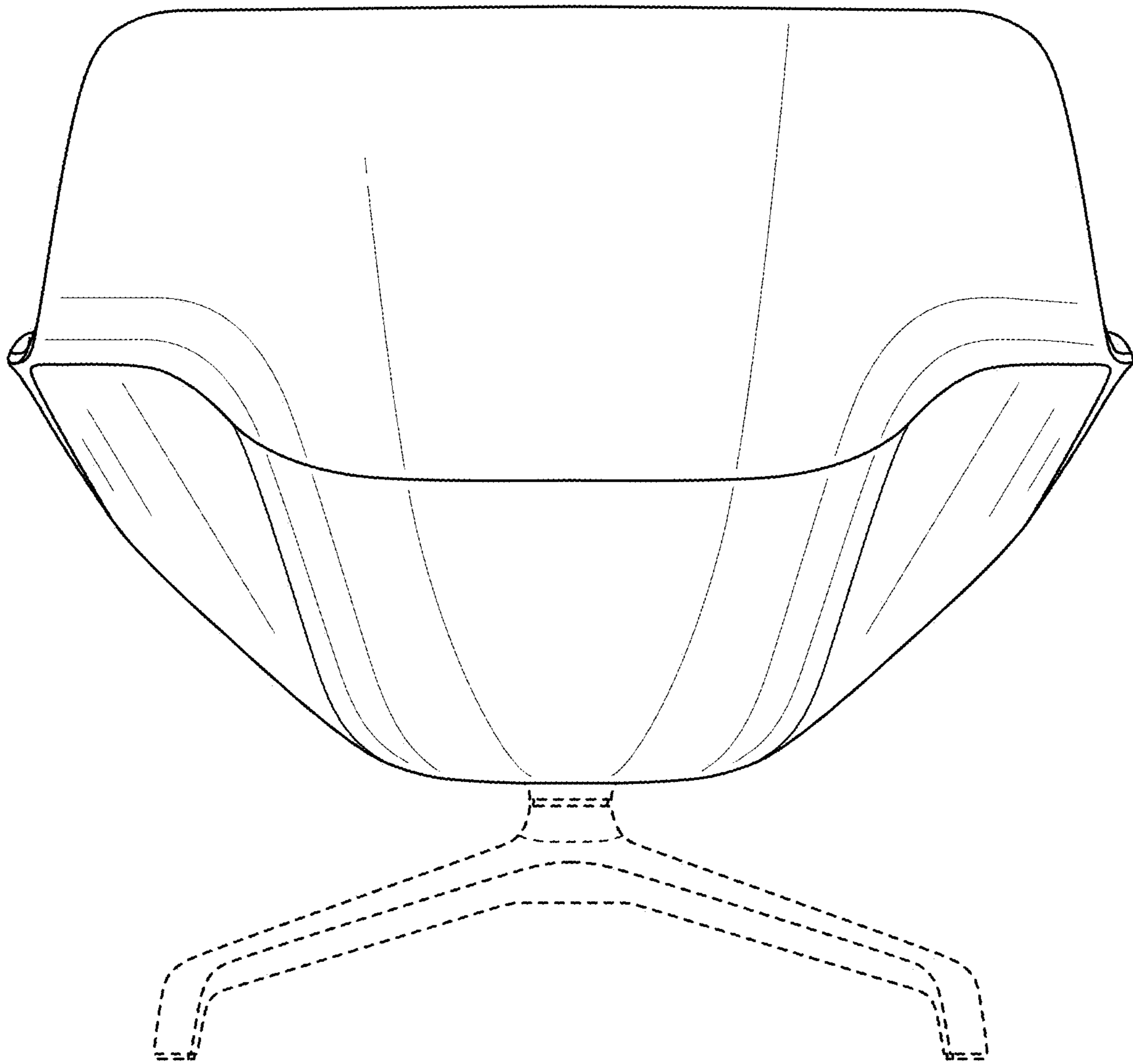


FIG. 10

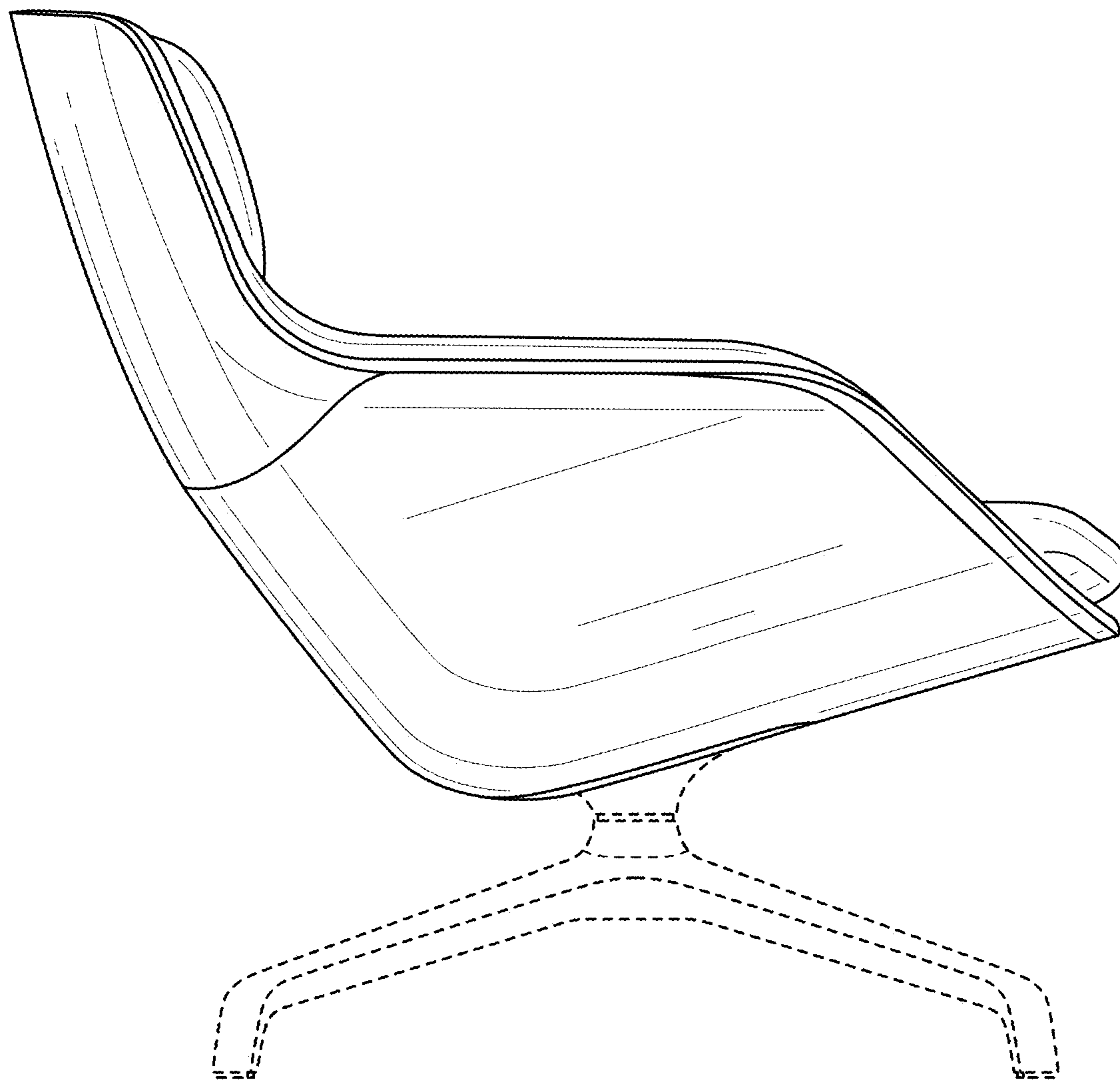


FIG. 11

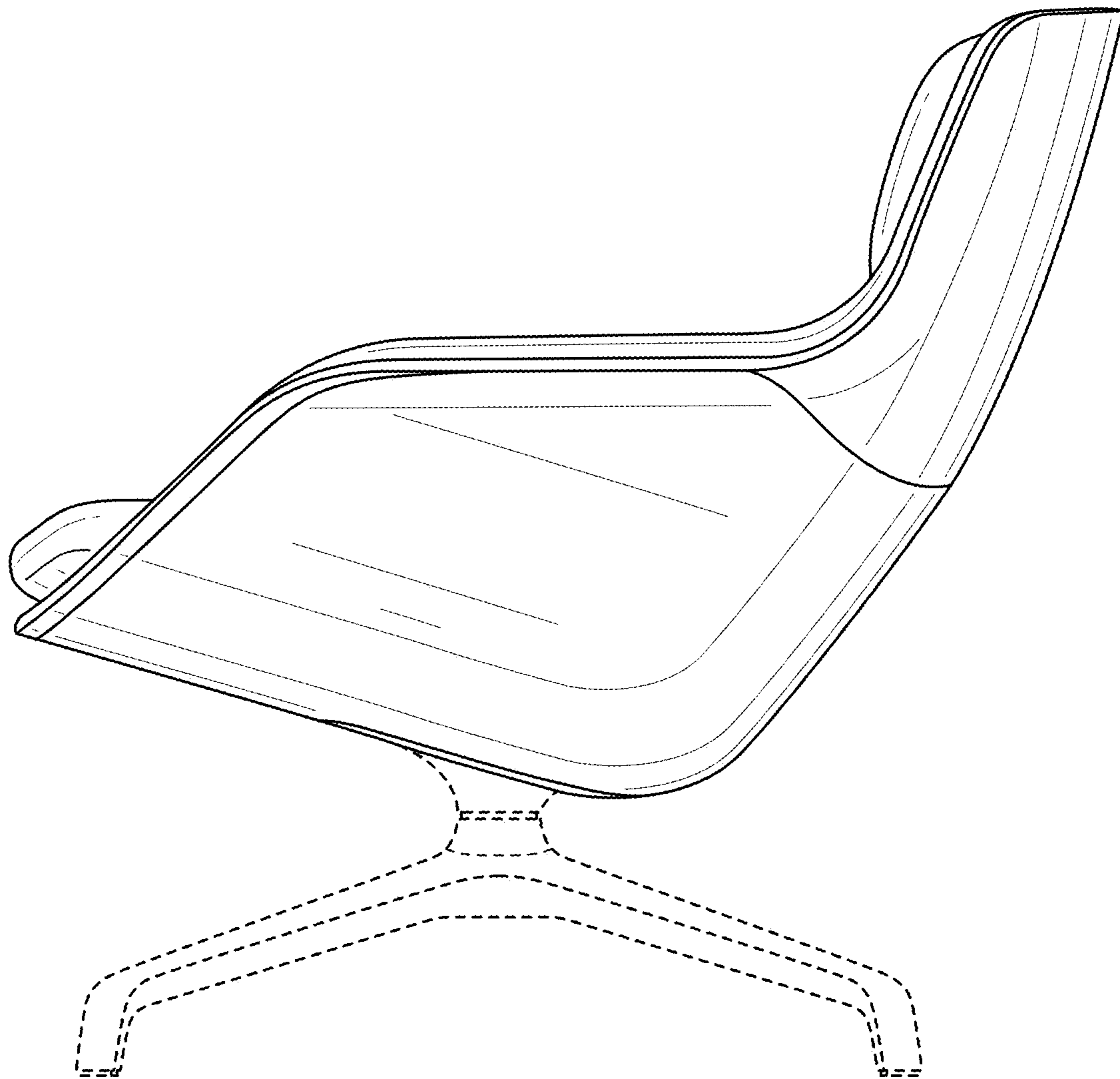


FIG. 12

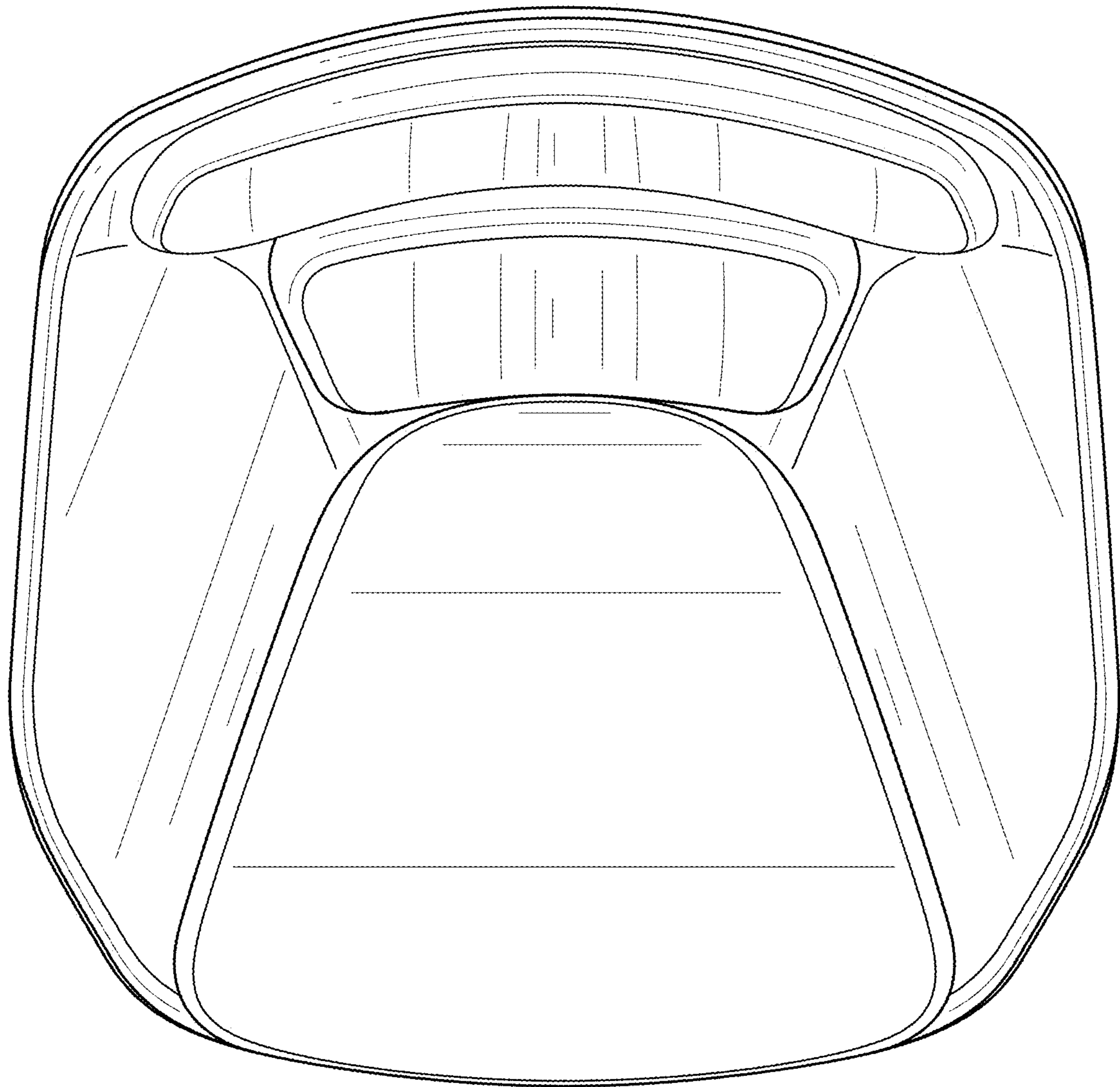


FIG. 13

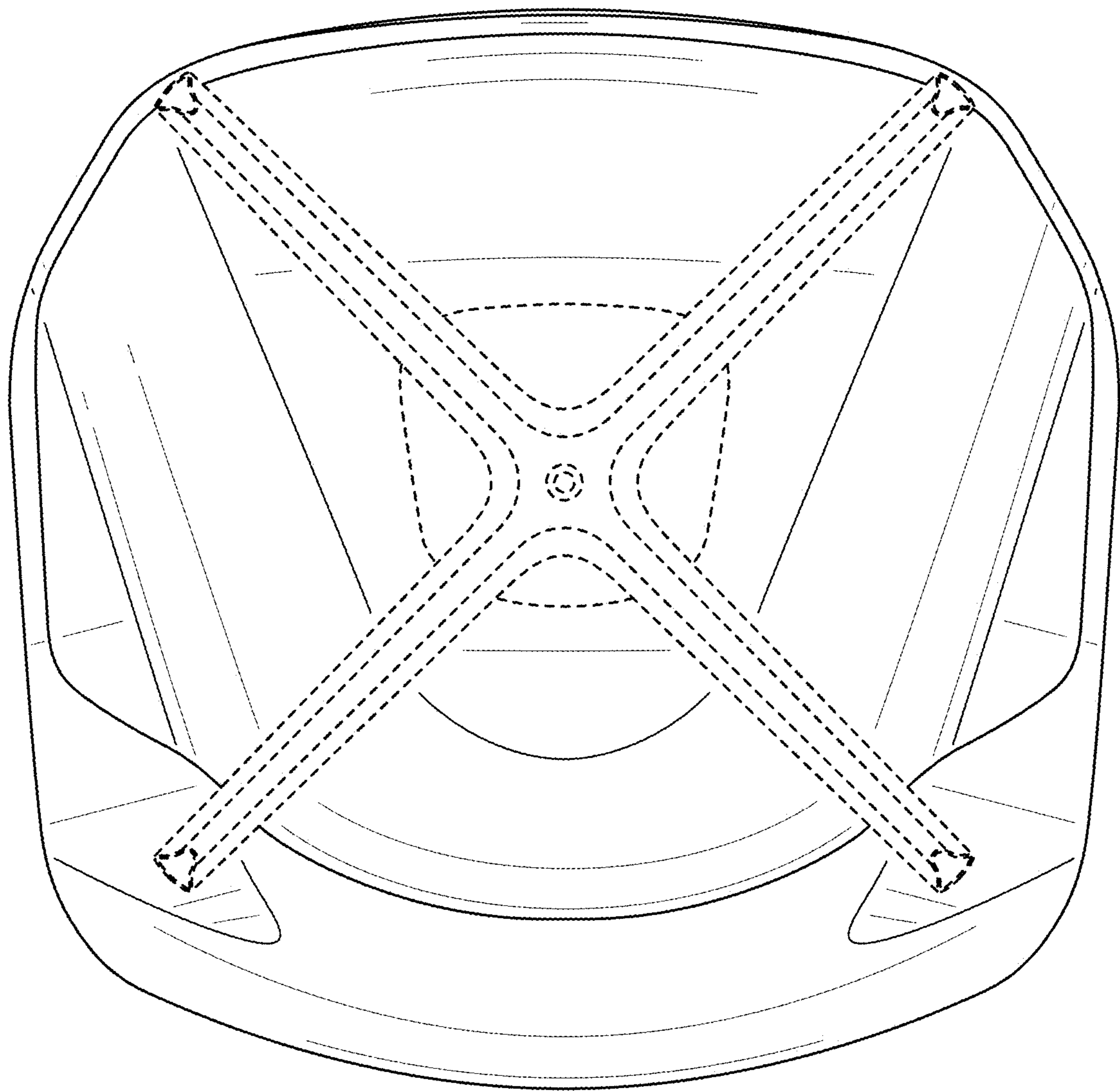


FIG. 14