



US00D880918S

(12) **United States Design Patent**
Velez et al.

(10) **Patent No.:** **US D880,918 S**

(45) **Date of Patent:** **** Apr. 14, 2020**

(54) **DINING CHAIR**

(71) Applicant: **Holly Hunt Enterprises, Inc.**, Chicago, IL (US)

(72) Inventors: **Alberto Velez**, Chicago, IL (US); **Holly Hunt**, Chicago, IL (US)

(73) Assignee: **HOLLY HUNT ENTERPRISES, INC.**, Chicago, IL (US)

(**) Term: **15 Years**

(21) Appl. No.: **29/624,815**

(22) Filed: **Nov. 3, 2017**

(51) **LOC (12) Cl.** **06-01**

(52) **U.S. Cl.**
USPC **D6/716; D6/380**

(58) **Field of Classification Search**
USPC D6/334-336, 374, 376, 379, 380, 716, D6/716.1, 716.2, 716.3, 716.4
CPC A47C 3/04; A47C 4/02; A47C 4/03; A47C 4/08; A47C 4/024; A47C 4/028; A47C 5/04; A47C 7/16
See application file for complete search history.

(56) **References Cited**

U.S. PATENT DOCUMENTS

D299,890 S * 2/1989 Wood D6/380
D502,331 S * 3/2005 Socha, Jr. D6/374

D673,788 S * 1/2013 Schoenhals D6/380
D800,474 S * 10/2017 Tran D6/380
D807,090 S * 1/2018 Martell D6/716
D815,450 S * 4/2018 Novak D6/374
D836,358 S * 12/2018 Starck D6/374
D843,751 S * 3/2019 Tran D6/380
D844,343 S * 4/2019 Tran D6/380
D844,344 S * 4/2019 Tran D6/380

* cited by examiner

Primary Examiner — Mimoso De

(74) *Attorney, Agent, or Firm* — The Belles Group, P.C.

(57) **CLAIM**

We claim the ornamental design for a dining chair, as shown and described.

DESCRIPTION

FIG. 1 is a perspective view of a dining chair of the present design.

FIG. 2 is a front elevation view of the dining chair of FIG. 1.

FIG. 3 is a rear elevation view of the dining chair of FIG. 1.

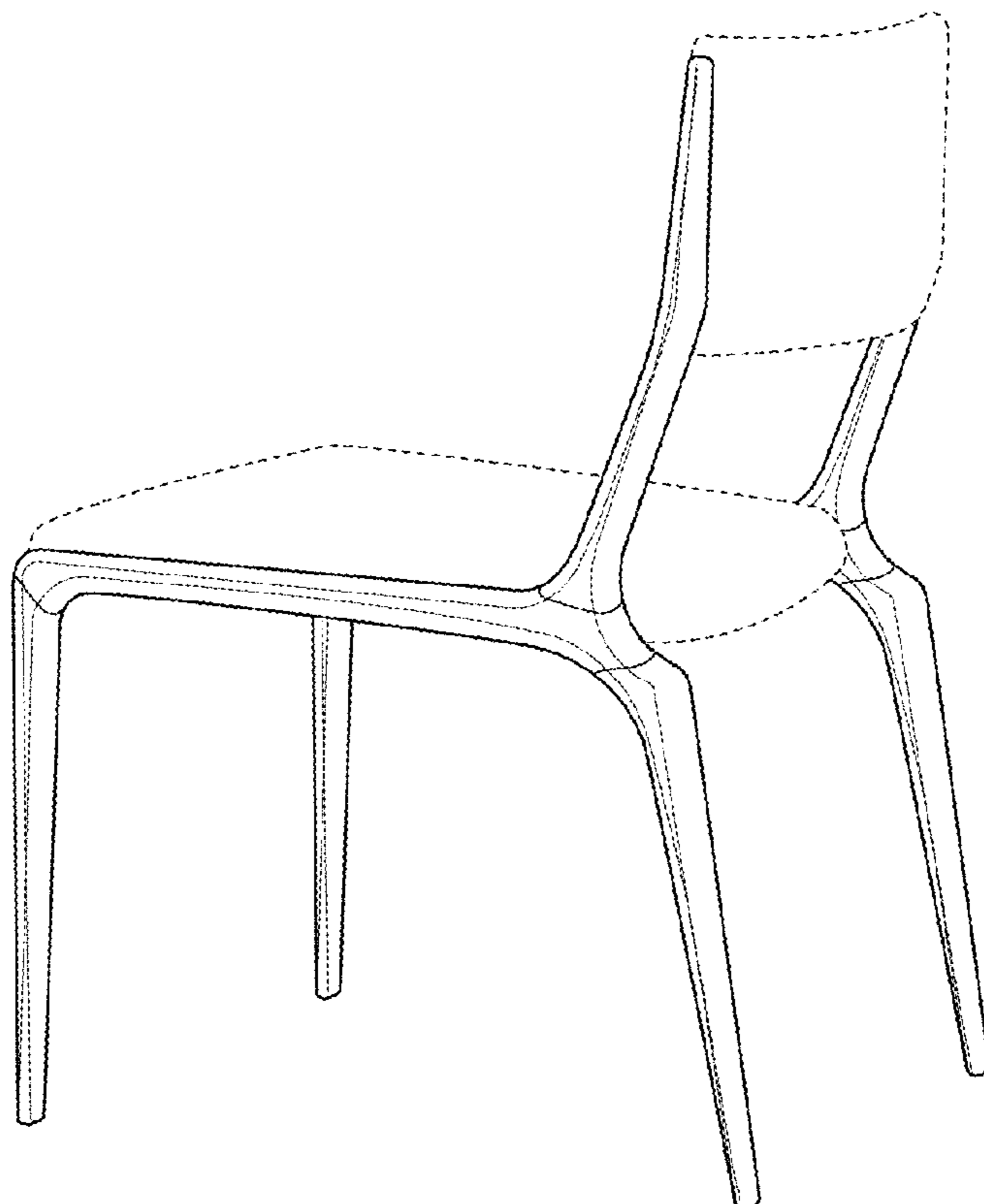
FIG. 4 is a left side elevation view of the dining chair of FIG. 1.

FIG. 5 is a right side elevation view of the dining chair of FIG. 1.

FIG. 6 is a top plan view of the dining chair of FIG. 1; and, FIG. 7 is a bottom plan view of the dining chair of FIG. 1.

The broken lines depicted represent environment only and form no part of the claimed design.

1 Claim, 7 Drawing Sheets



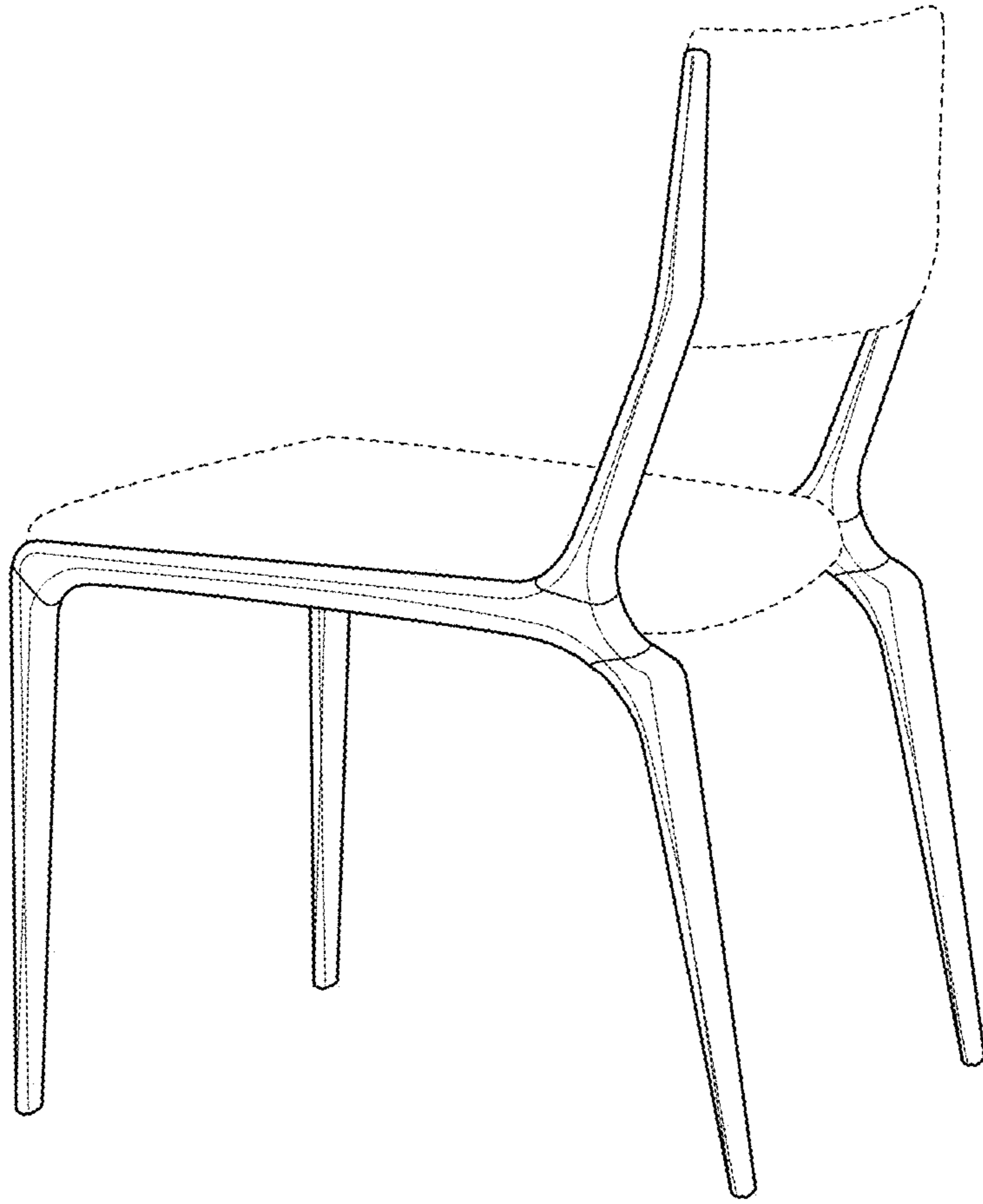


FIG. 1

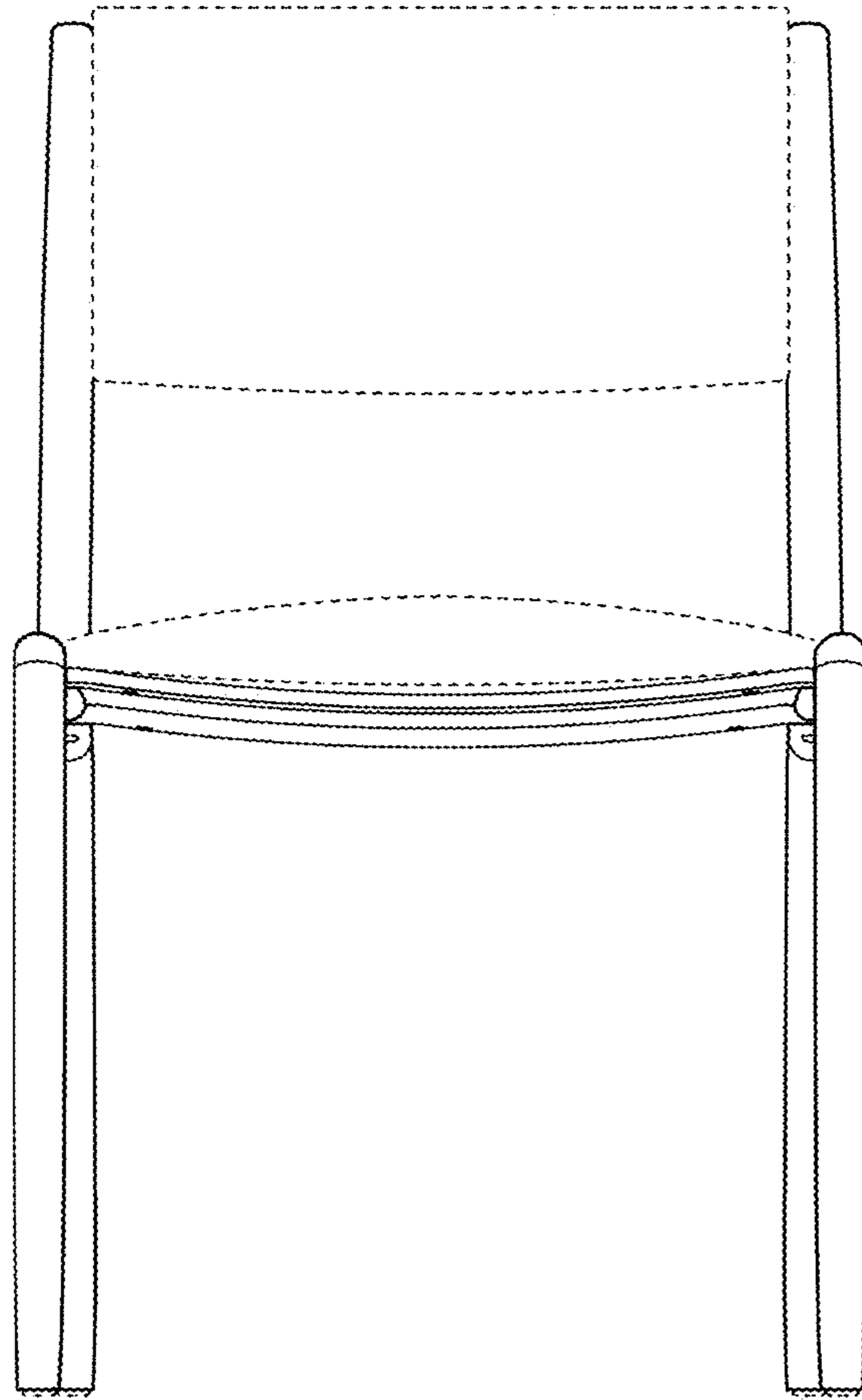


FIG. 2

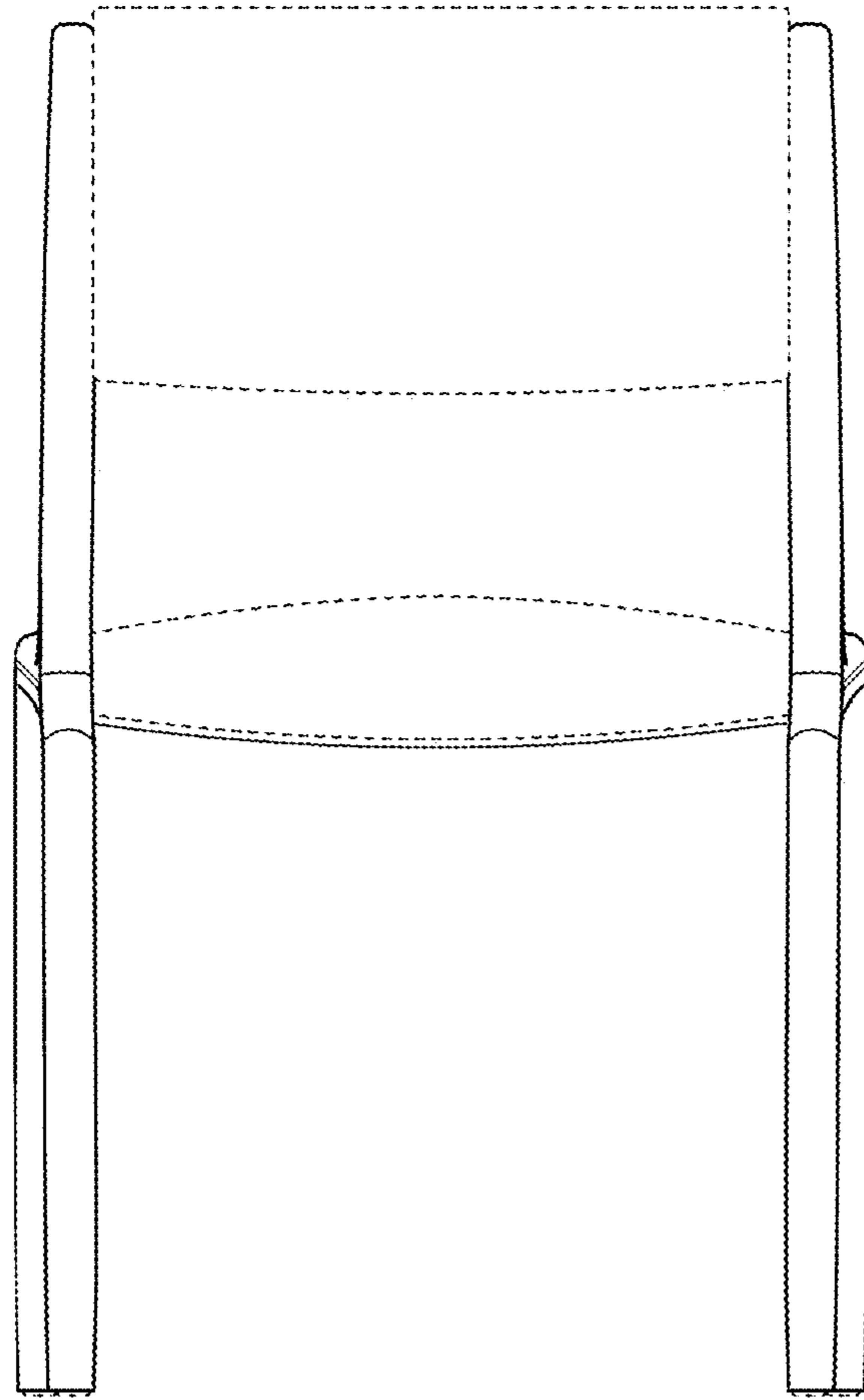


FIG. 3

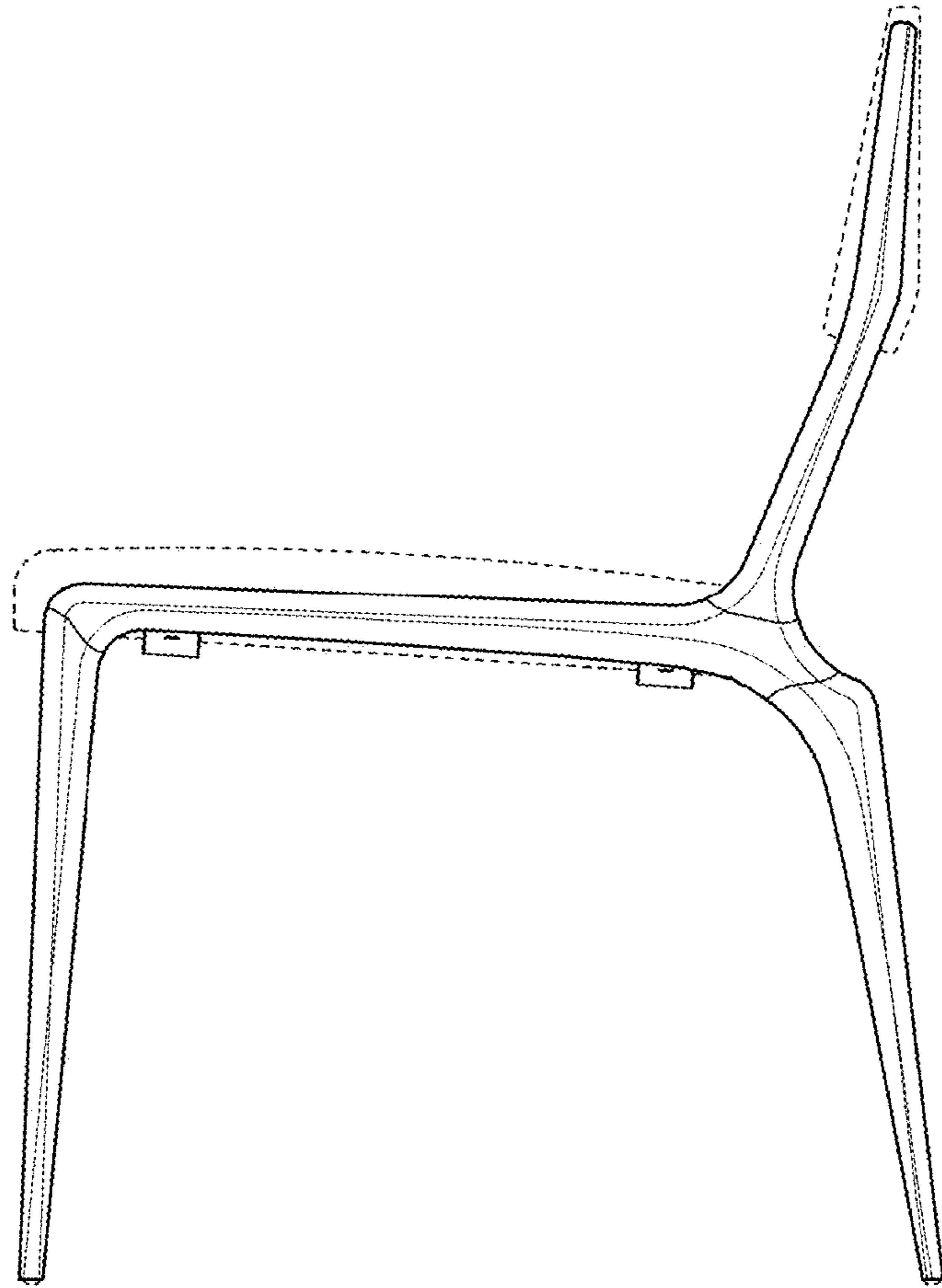


FIG. 4

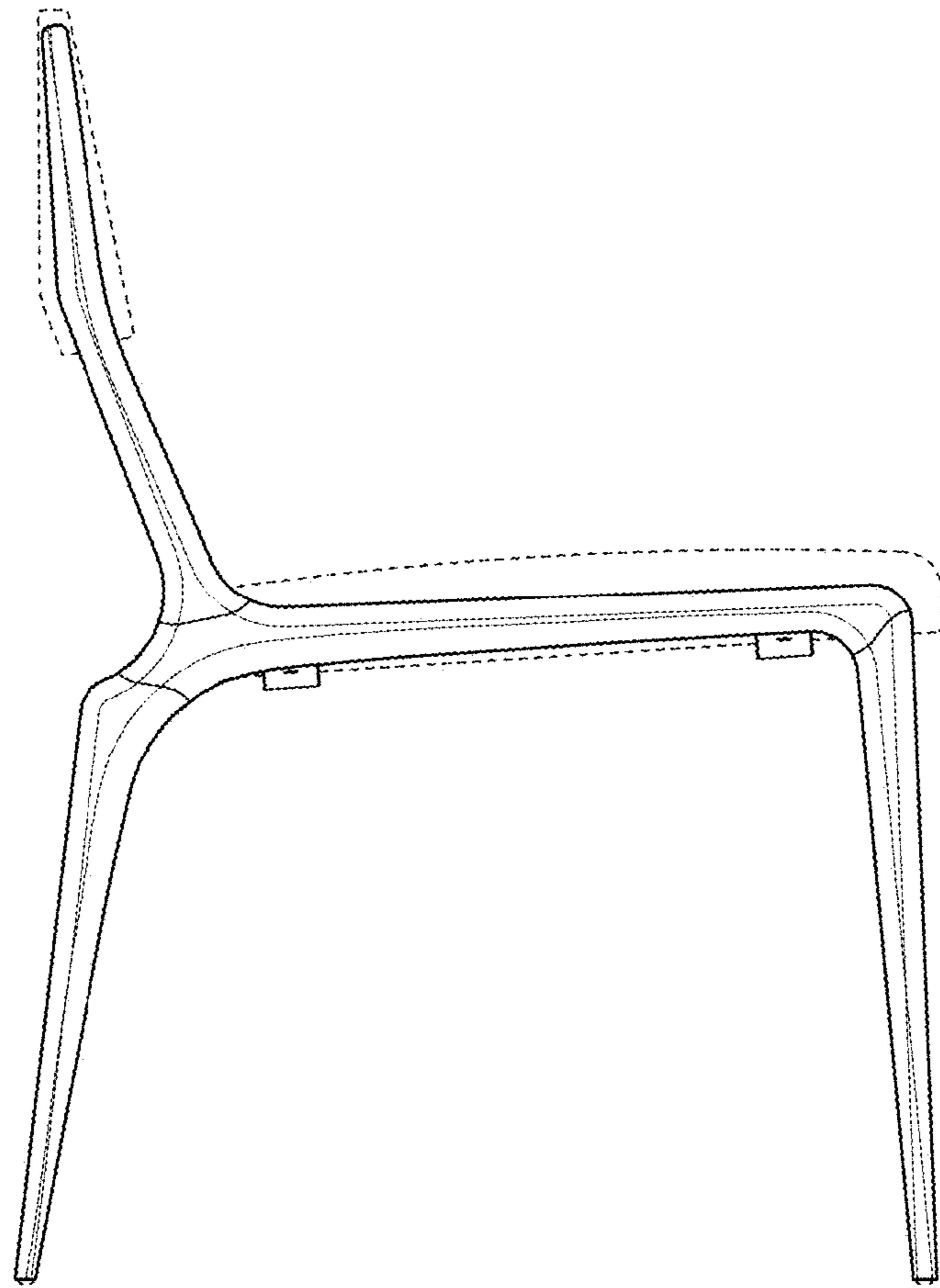


FIG. 5

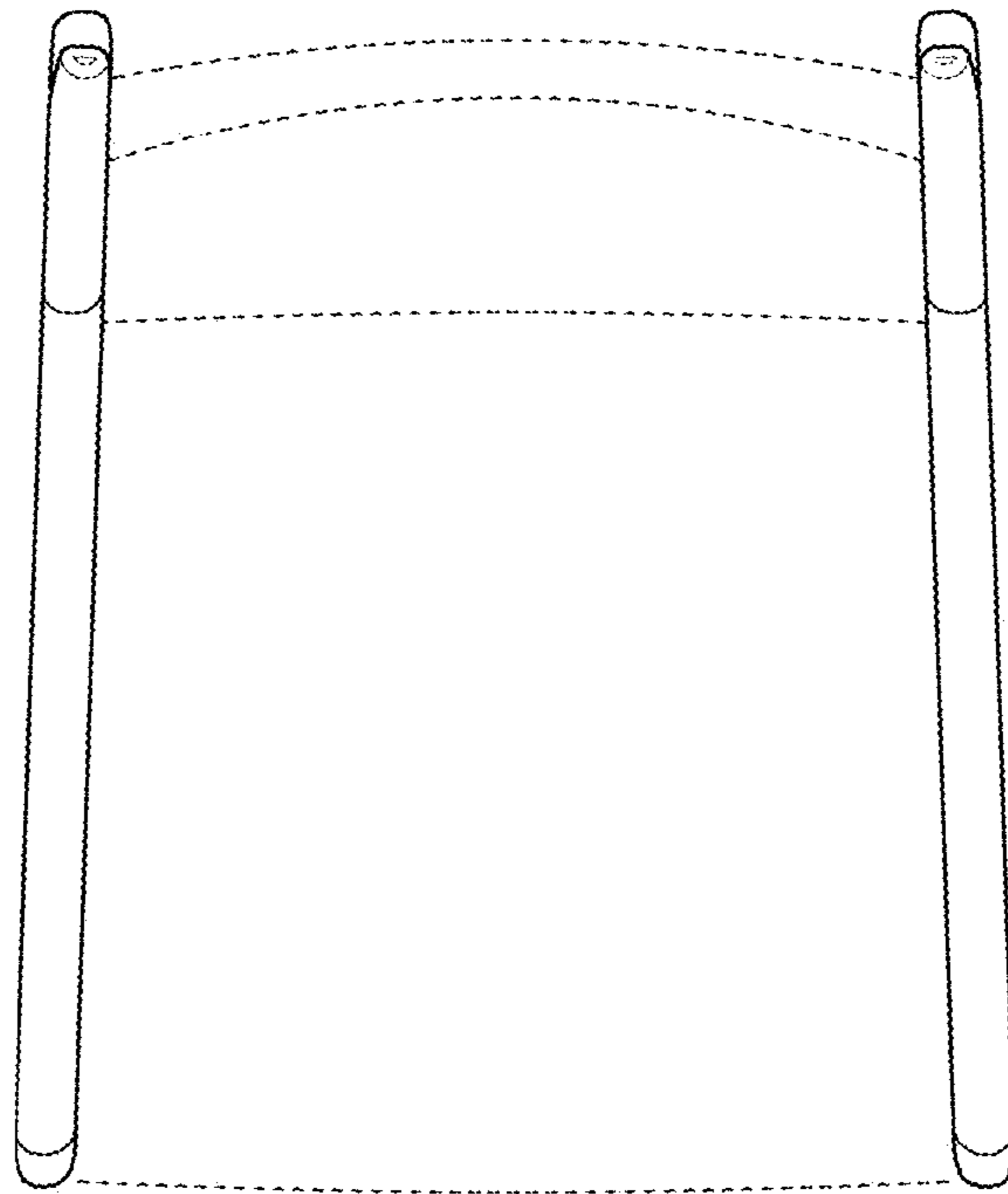


FIG. 6

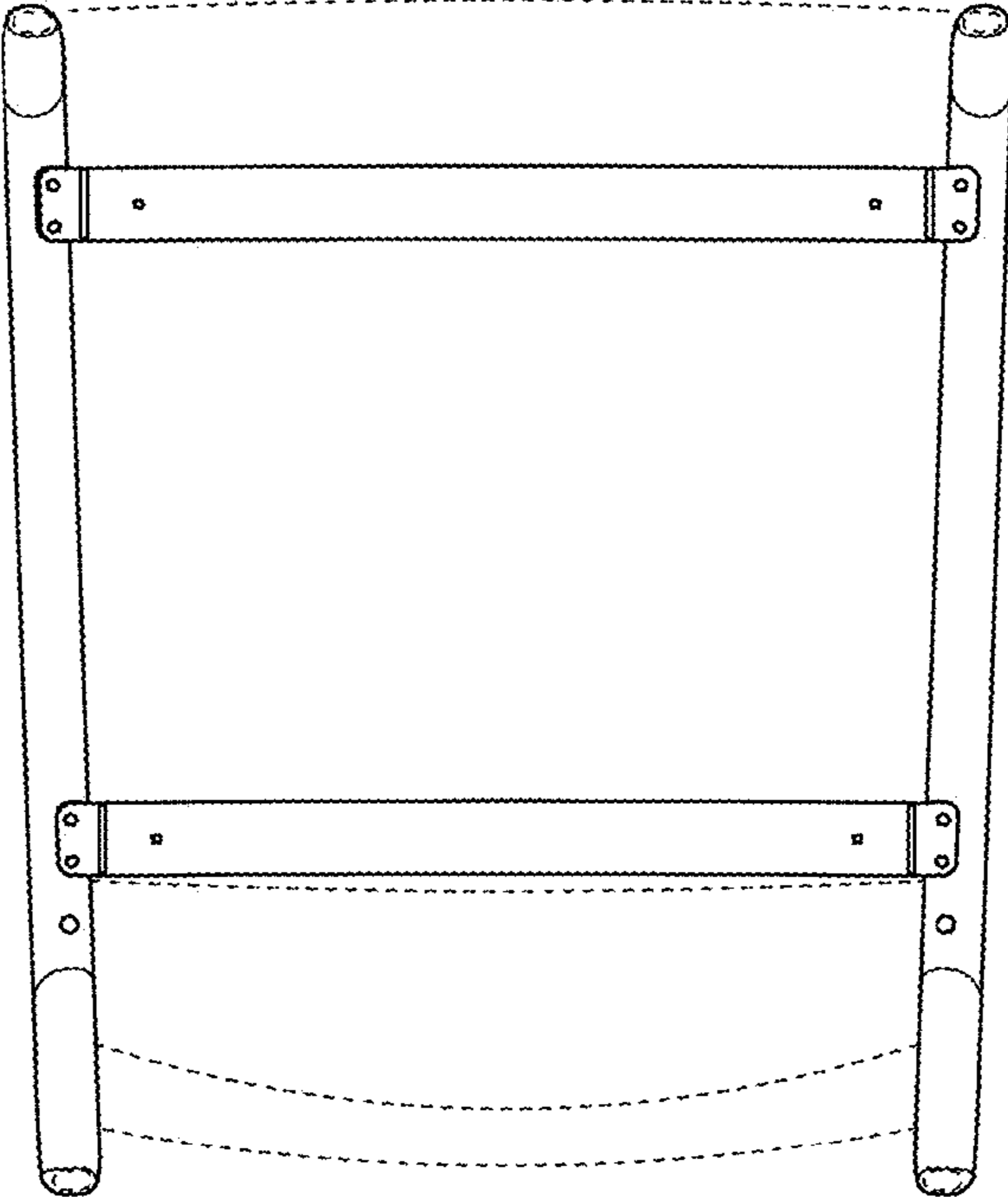


FIG. 7