



US00D880915S

(12) **United States Design Patent**
Oakley

(10) **Patent No.:** **US D880,915 S**

(45) **Date of Patent:** **** Apr. 14, 2020**

(54) **FURNITURE LEG**

(71) Applicant: **Regency Seating, Inc.**, Akron, OH
(US)

(72) Inventor: **William Oakley**, Akron, OH (US)

(73) Assignee: **Regency Seating Inc.**, Akron, OH (US)

(**) Term: **15 Years**

(21) Appl. No.: **29/649,819**

(22) Filed: **Jun. 1, 2018**

(51) **LOC (12) Cl.** **06-06**

(52) **U.S. Cl.**
USPC **D6/708**

(58) **Field of Classification Search**
USPC ... D6/641, 642, 695, 691, 691.1-691.9, 702,
D6/708, 708.17, 709
CPC A47B 7/00; A47B 13/00; A47B 13/02;
A47B 13/04; A47B 13/06; A47B 13/08;
A47B 21/00; A47B 91/00; A47B
2200/0001; A47B 2200/0011; A47B
2200/002; A47B 2200/0035; A47B
2200/005

See application file for complete search history.

(56) **References Cited**

U.S. PATENT DOCUMENTS

D225,712 S * 1/1973 McDonald D6/691
D225,950 S * 1/1973 Kienel D6/691.5

D655,952 S * 3/2012 McCurry D6/690
D668,893 S * 10/2012 Lehman-Smith D6/708
D817,052 S * 5/2018 Parisio D6/708

* cited by examiner

Primary Examiner — Mary Ann Calabrese

(74) *Attorney, Agent, or Firm* — Edwin A. Sisson,
Attorney at Law, LLC; Jeffrey J. Banyas

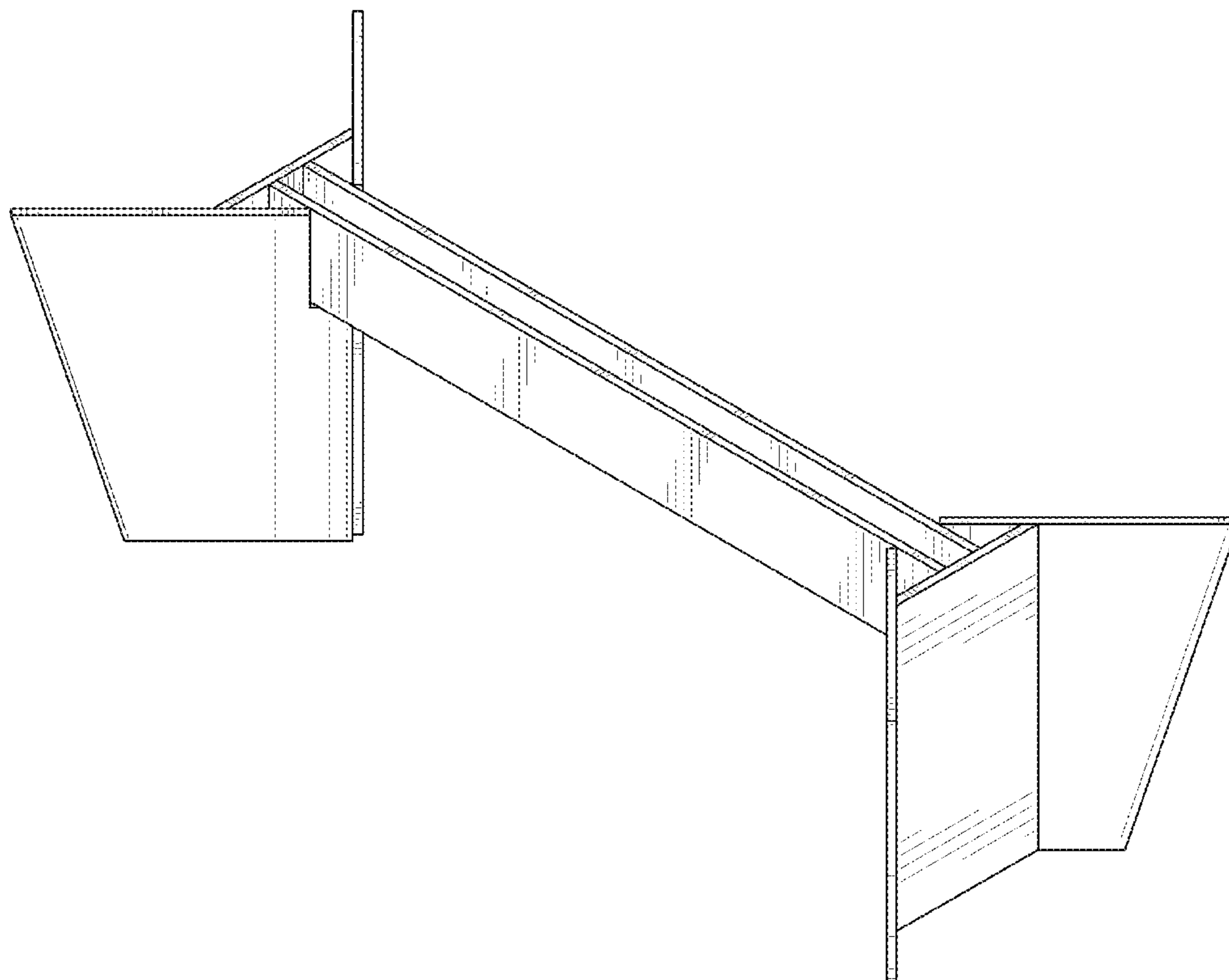
(57) **CLAIM**

The ornamental design for a furniture leg, as shown and described.

DESCRIPTION

FIG. 1 is a perspective front view of a furniture leg;
FIG. 2 is a front view of the furniture leg;
FIG. 3 is a rear view of the furniture leg;
FIG. 4 is a right side view of the furniture leg;
FIG. 5 is a left side view of the furniture leg;
FIG. 6 is a top view of the furniture leg;
FIG. 7 is a bottom view of the furniture leg;
FIG. 8 is a perspective view of the furniture leg attached to a rectangular table top;
FIG. 9 is a perspective view of the furniture leg attached to an arc end table top; and,
FIG. 10 is a perspective view of a second embodiment of the furniture leg attached to a credenza.
The broken lines form no part of the claimed design.

1 Claim, 10 Drawing Sheets



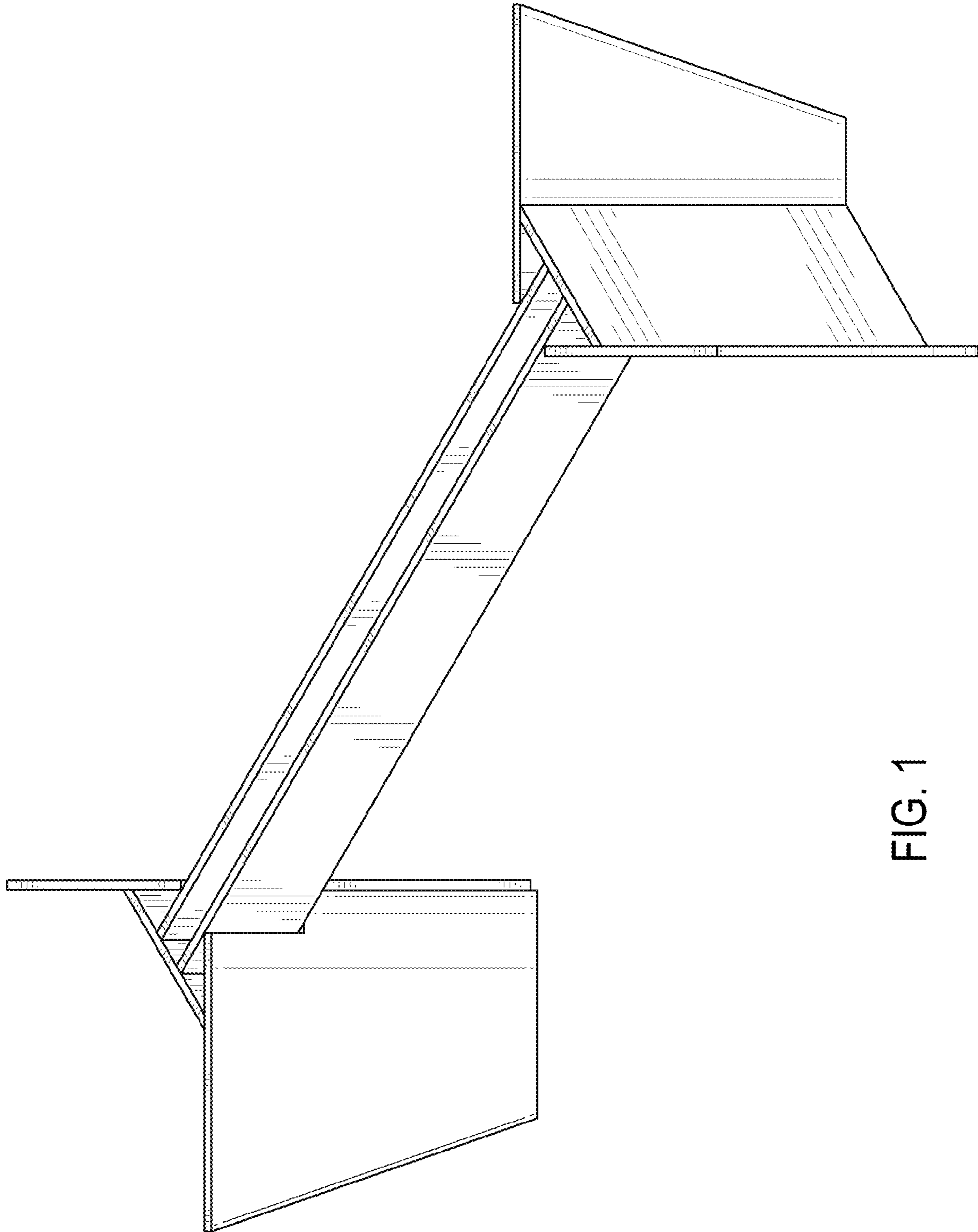


FIG. 1

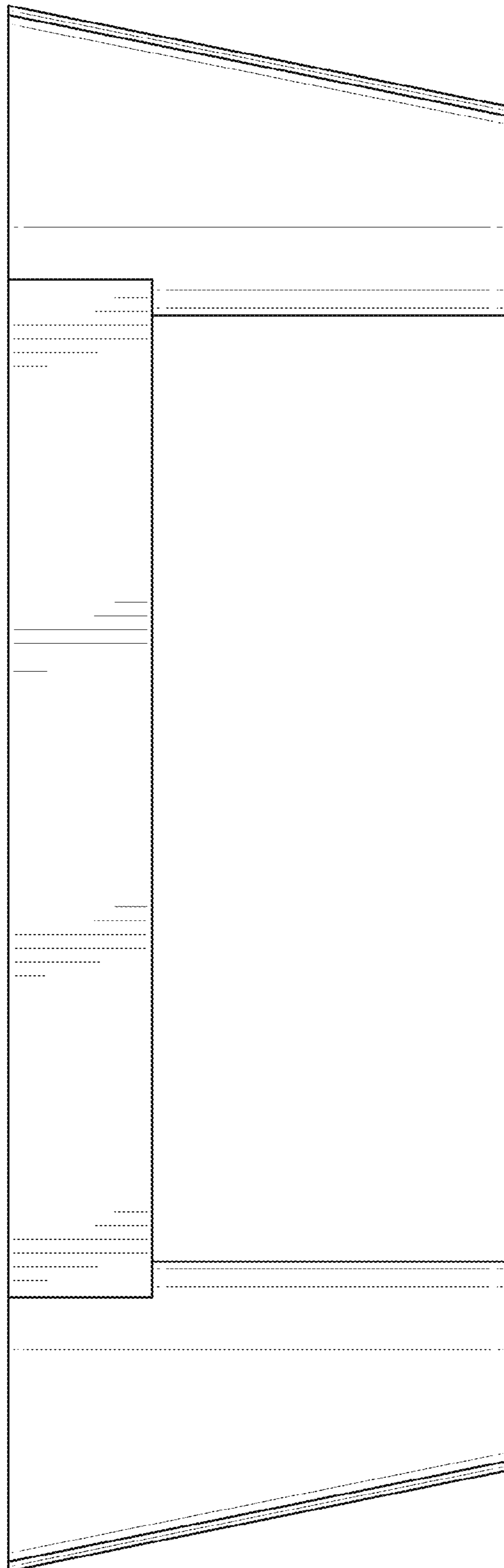


FIG. 2

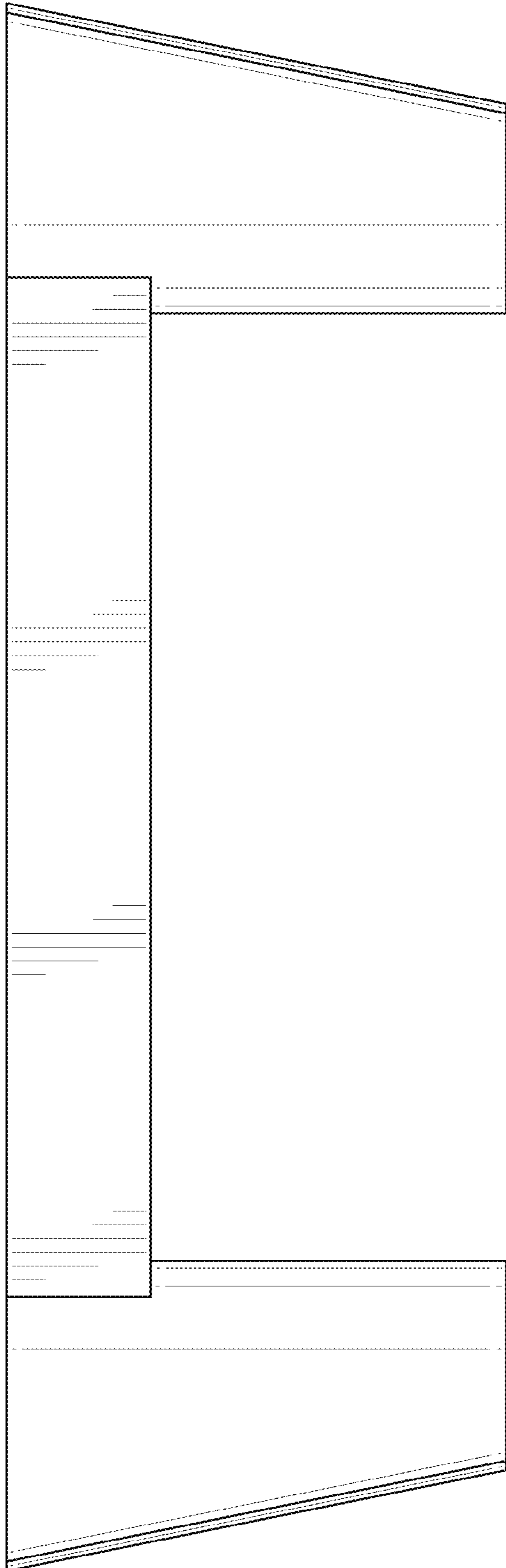


FIG. 3

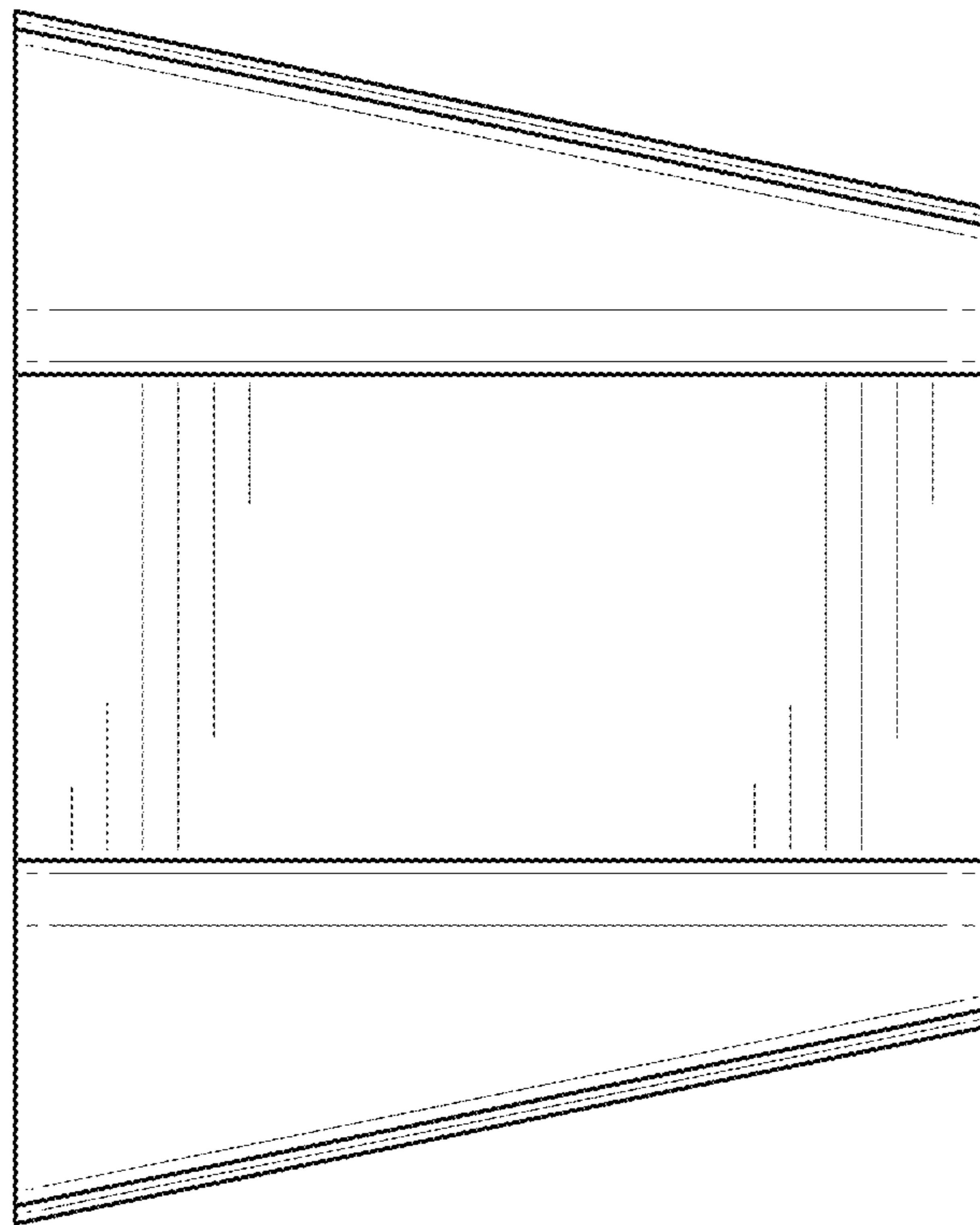


FIG. 4

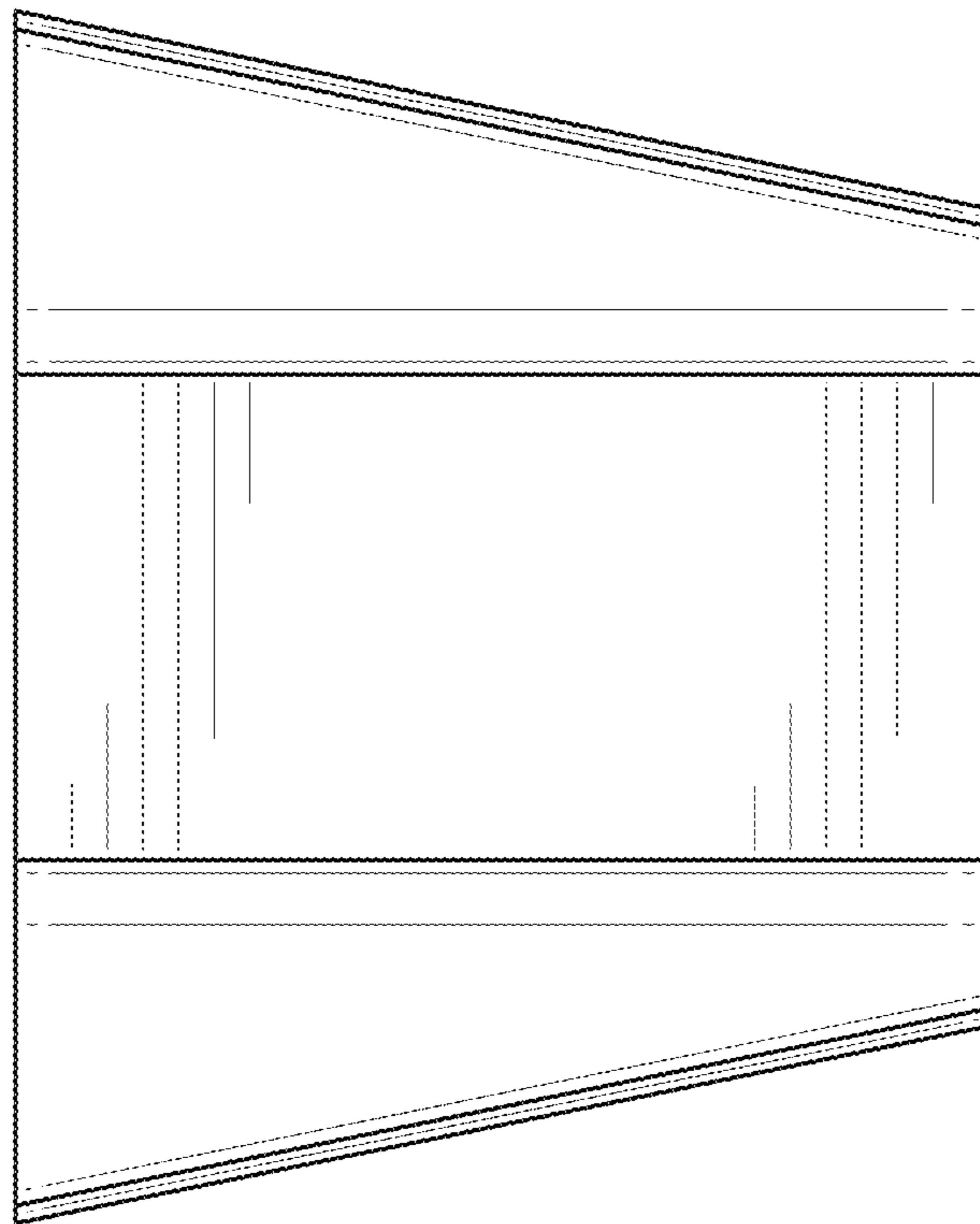


FIG. 5

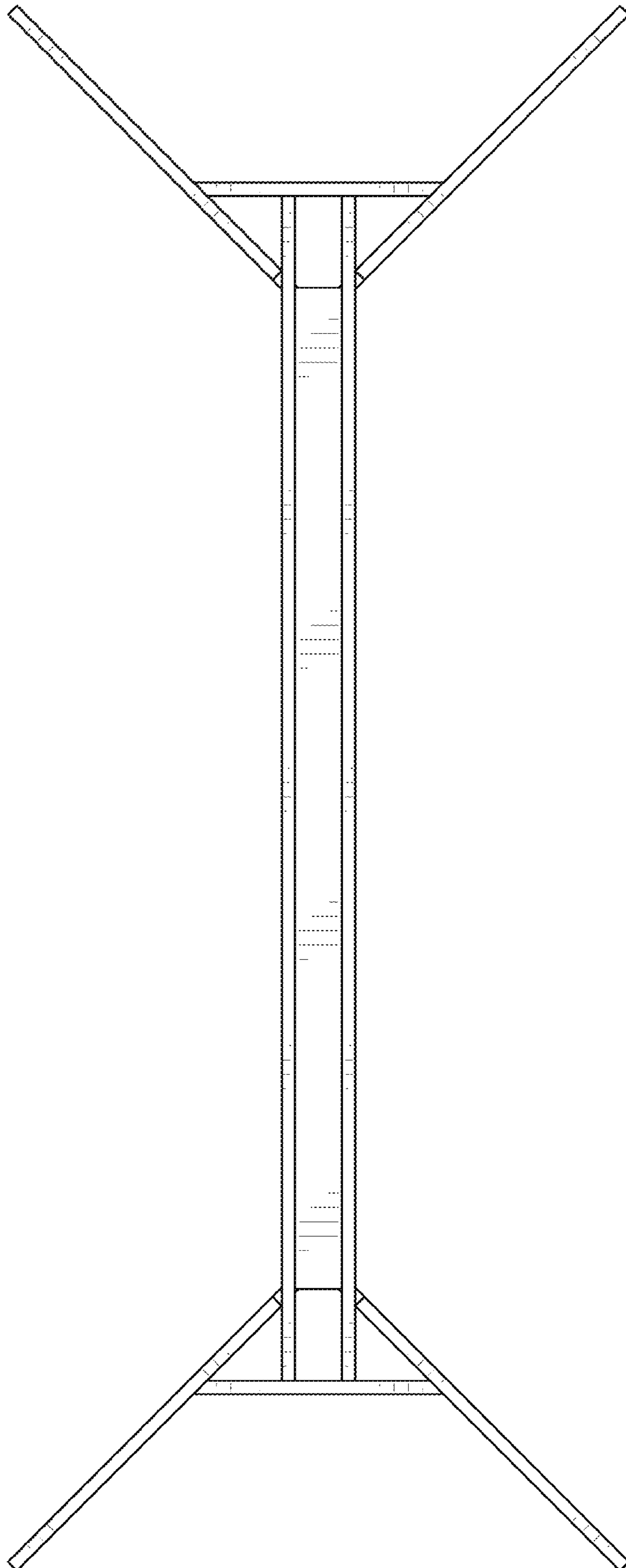


FIG. 6

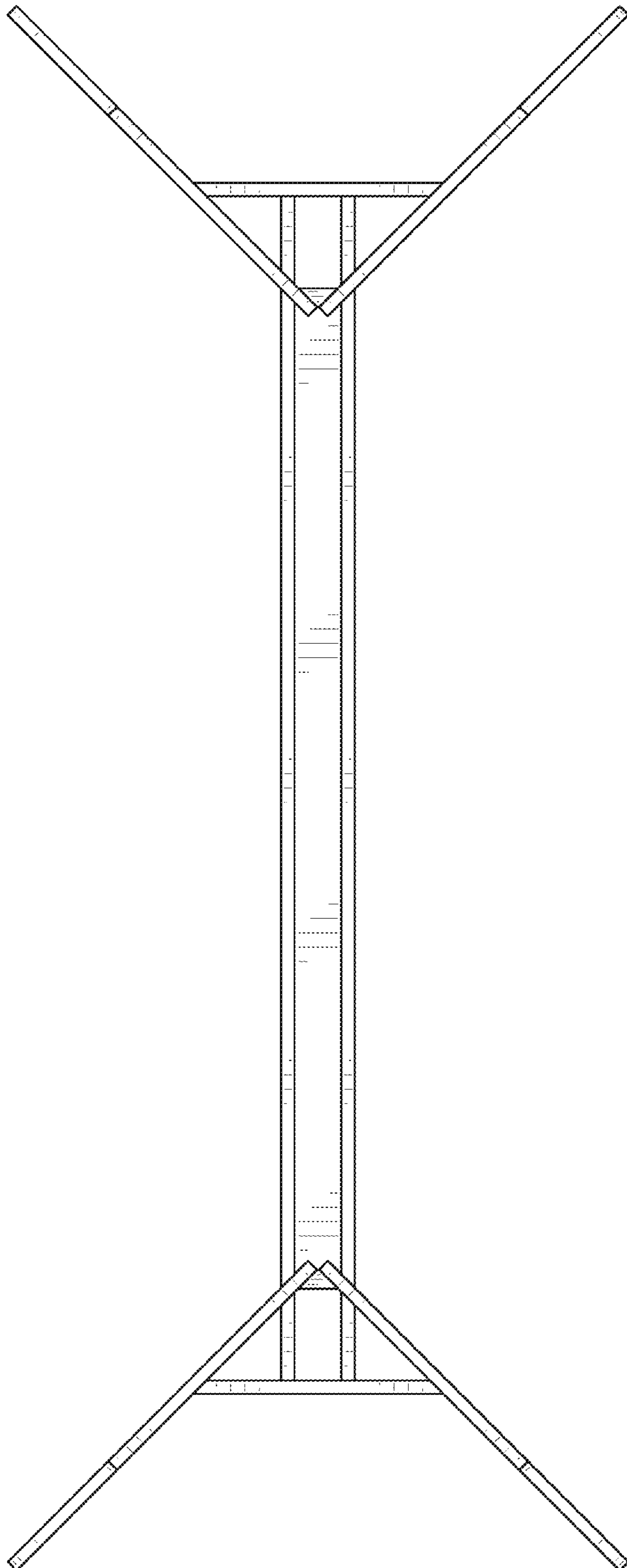


FIG. 7

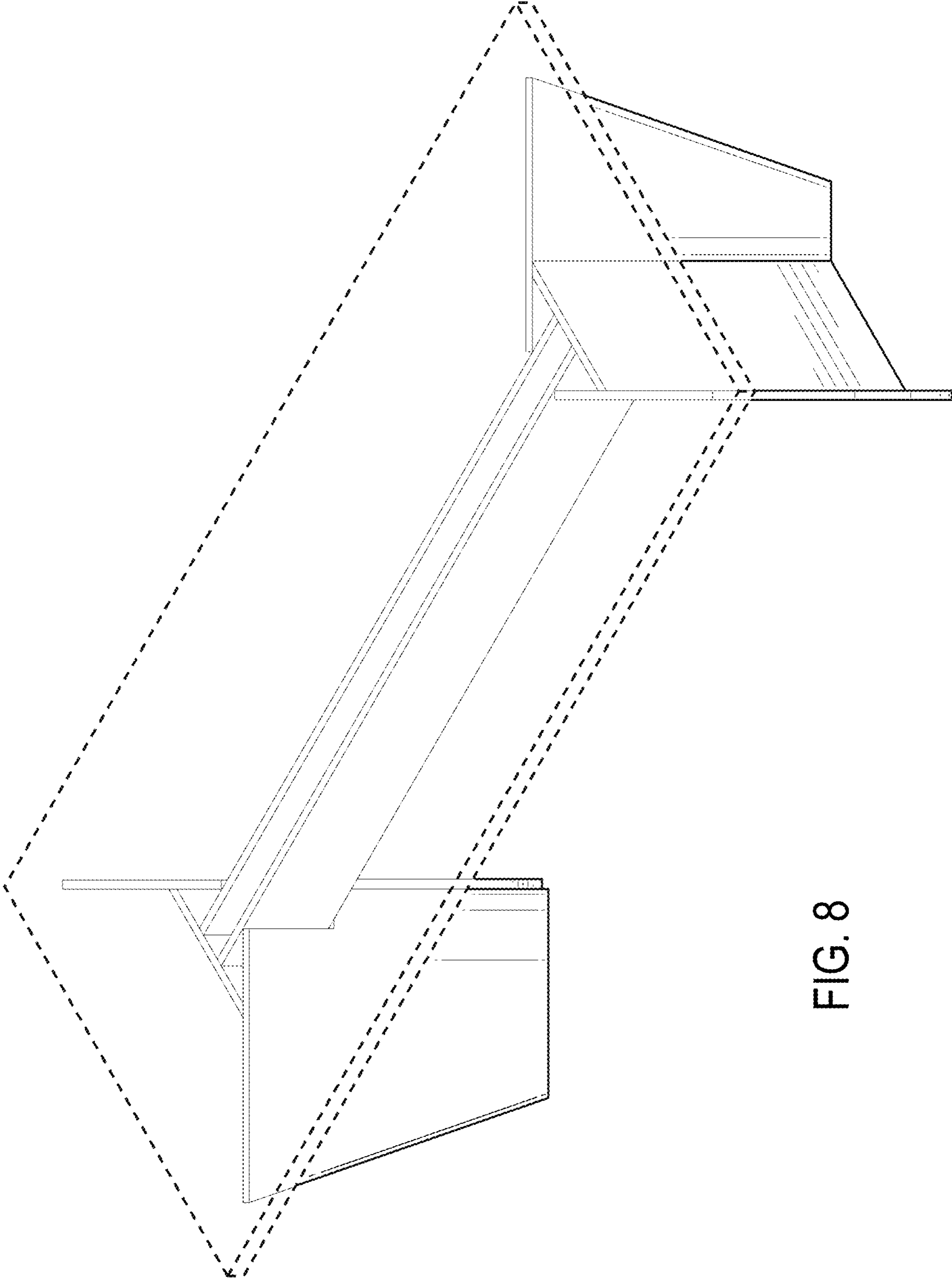


FIG. 8

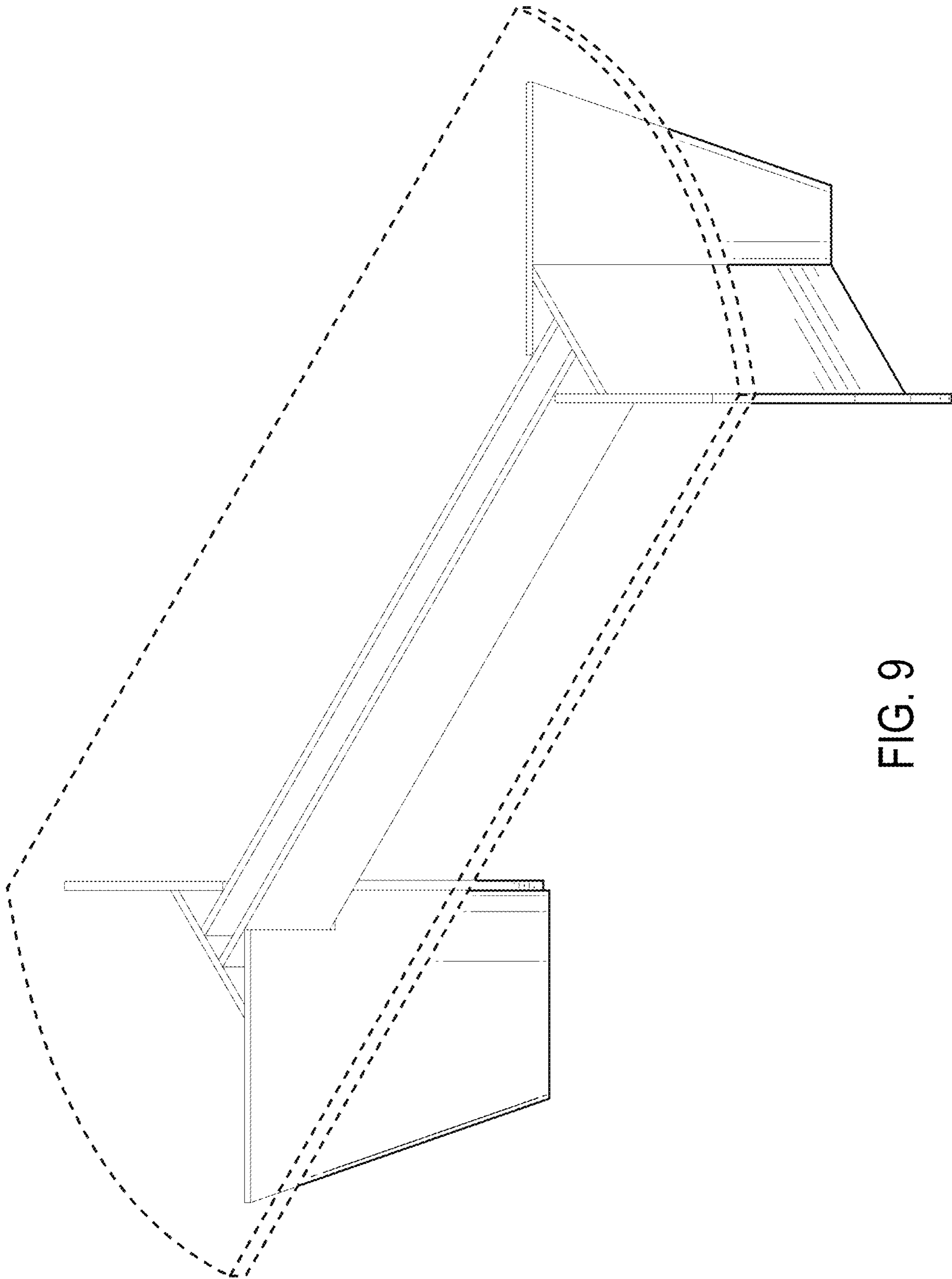


FIG. 9

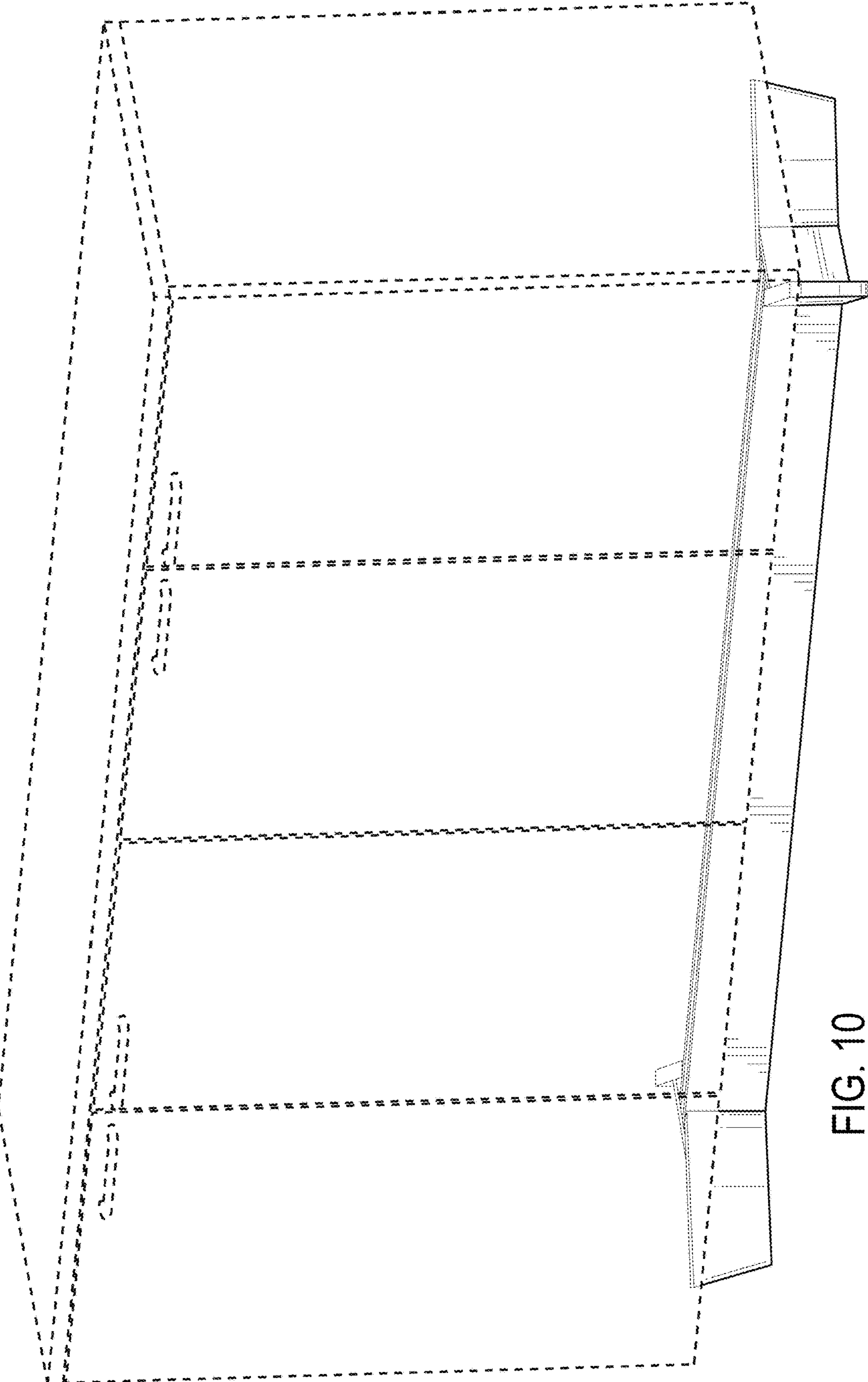


FIG. 10