



US00D880913S

(12) **United States Design Patent** (10) **Patent No.:** **US D880,913 S**
Kuo (45) **Date of Patent:** **** Apr. 14, 2020**

(54) **DESK STAND**
(71) Applicant: **EP Family Corp.**, Walnut, CA (US)
(72) Inventor: **Hung-Chih Kuo**, Walnut, CA (US)
(**) Term: **15 Years**
(21) Appl. No.: **29/637,084**
(22) Filed: **Feb. 13, 2018**
(51) **LOC (12) Cl.** **06-03**
(52) **U.S. Cl.**
USPC **D6/705**
(58) **Field of Classification Search**
USPC ... D6/641, 642, 656, 656.19, 685, 686, 691,
D6/691.1-691.9, 702, 703, 703.3-703.5,
D6/707, 707.19, 654
CPC A47B 7/00; A47B 13/00; A47B 13/003;
A47B 13/02; A47B 13/04; A47B 13/06;
A47B 13/08; A47B 13/10; A47B 21/00;
A47B 2200/0001; A47B 2200/0011;
A47B 2200/0012; A47B 87/00; A47B
37/04; H05K 9/0041
See application file for complete search history.

D846,307 S * 4/2019 Klobuchar H05K 9/0041
D6/595
2007/0297159 A1* 12/2007 Gilliland H05K 9/0041
361/818
2015/0060131 A1* 3/2015 Coppola H05K 9/0041
174/383
2016/0255956 A1* 9/2016 Dilmaghani A47B 87/002
2017/0049011 A1* 2/2017 Durant H05K 7/20727
2018/0030666 A1* 2/2018 Penland, Jr. E01C 9/086

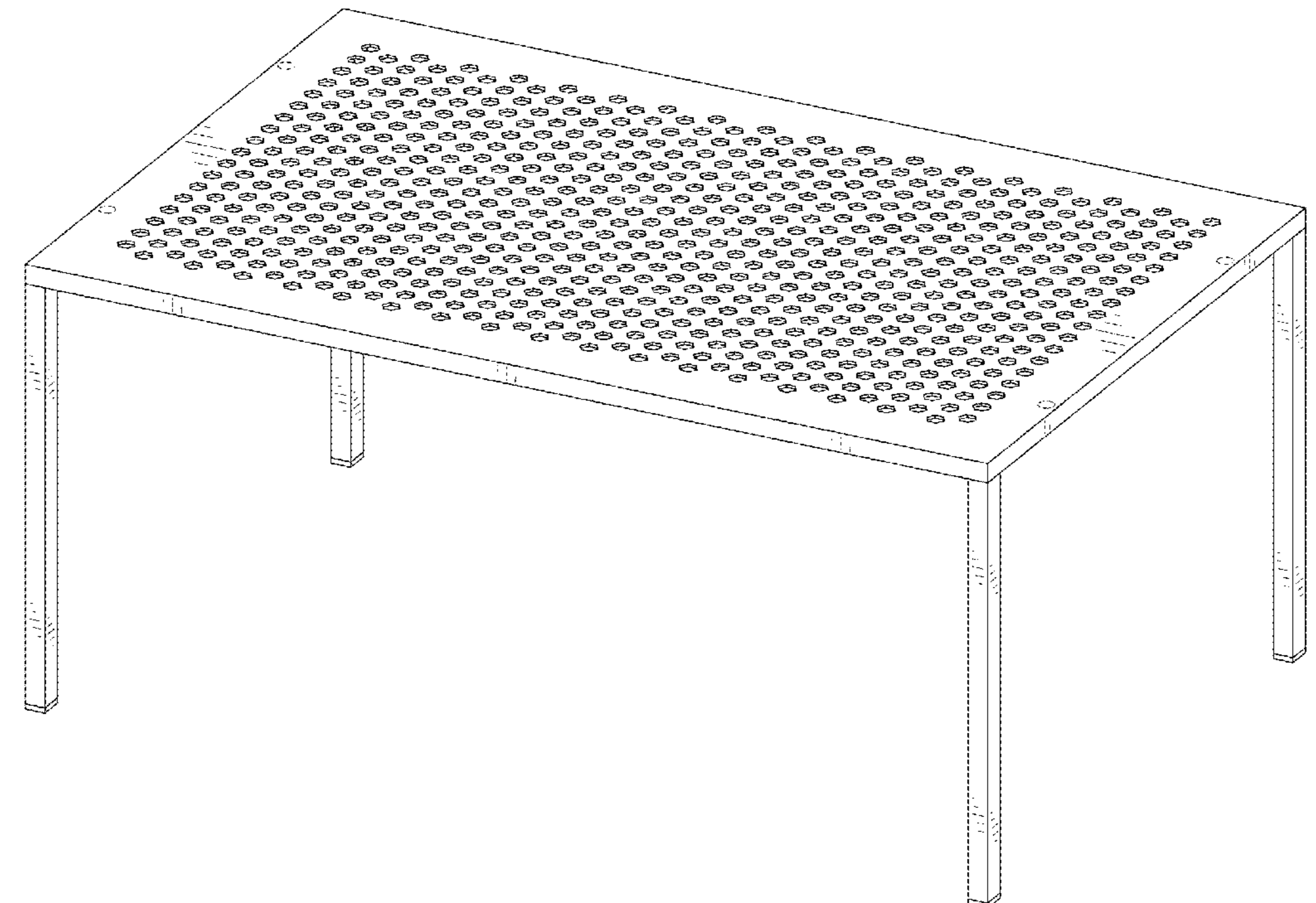
* cited by examiner
Primary Examiner — Mary Ann Calabrese
(74) *Attorney, Agent, or Firm* — Tommy S F Wang;
Wang IP Law Group, P.C.

(57) **CLAIM**
The ornamental design for a desk stand, as shown and described.

DESCRIPTION
FIG. 1 is a top perspective view of a desk stand showing my new design;
FIG. 2 is a bottom perspective view thereof;
FIG. 3 is a front view thereof;
FIG. 4 is a rear view thereof;
FIG. 5 is a left side view thereof;
FIG. 6 is a right side view thereof;
FIG. 7 is a top view thereof;
FIG. 8 is a bottom view thereof; and,
FIG. 9 is an enlarged view of an indicated portion of FIG. 7.
The dash-dash broken lines illustrate portions of the desk stand that form no part of the claimed design.

1 Claim, 9 Drawing Sheets

(56) **References Cited**
U.S. PATENT DOCUMENTS
D364,040 S * 11/1995 Suskind D5/1
D415,844 S * 10/1999 Lewis D25/100
D578,633 S * 10/2008 Schluter D23/370
D597,653 S * 8/2009 Calkins E01C 9/086
D23/388
D760,884 S * 7/2016 Green D23/365
10,240,615 B1 * 3/2019 Kho F04D 29/703



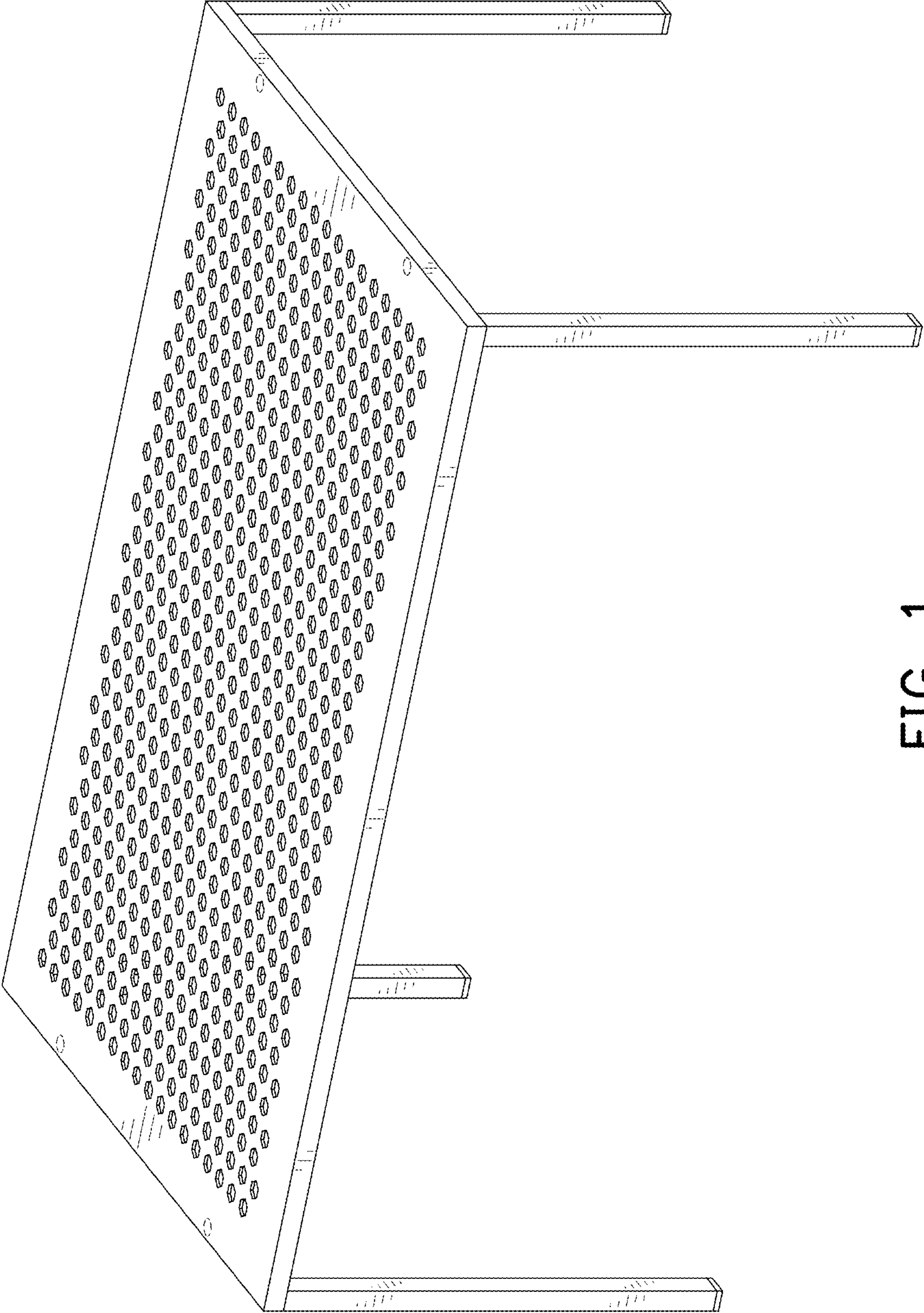


FIG. 1

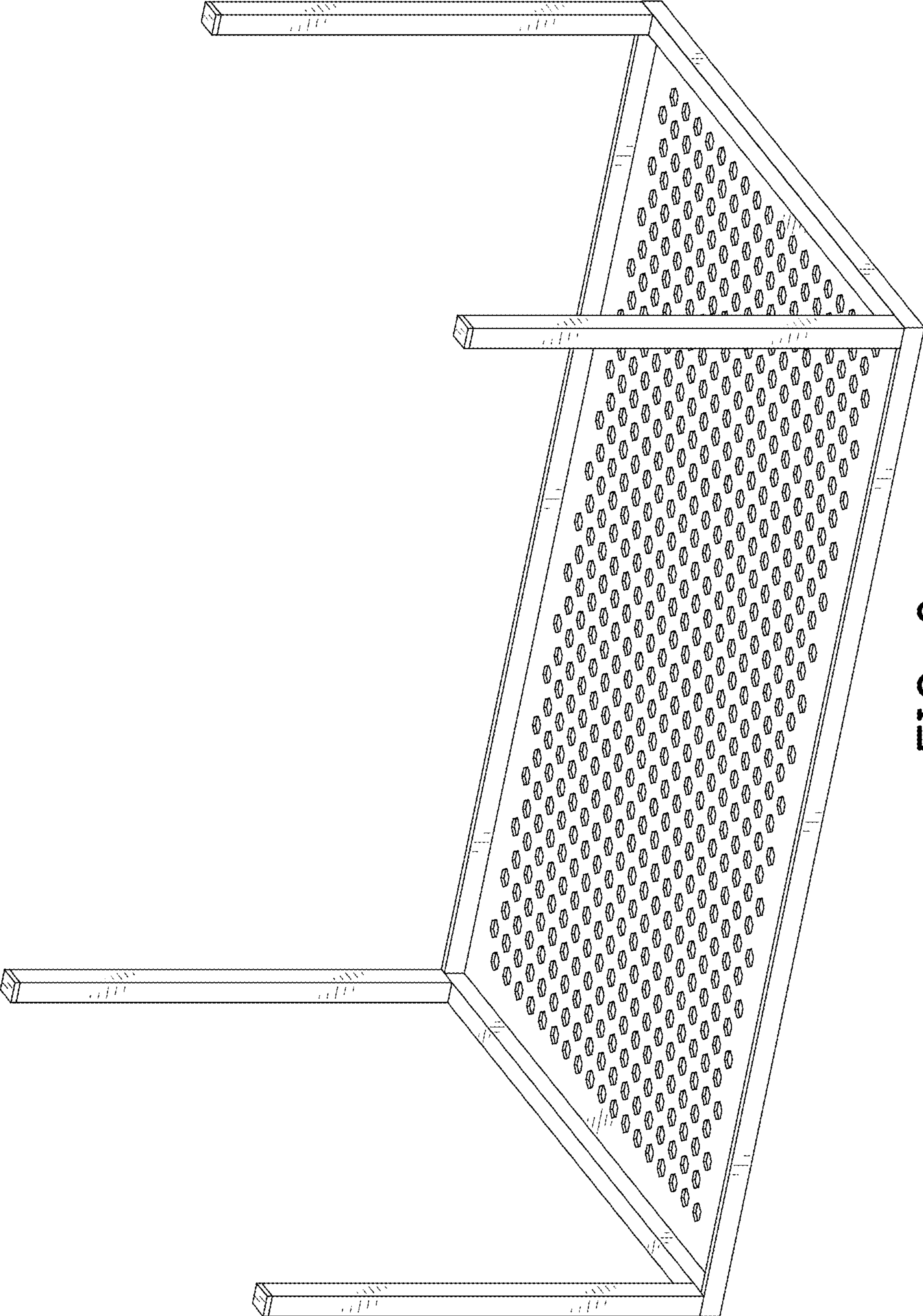


FIG. 2



FIG. 3

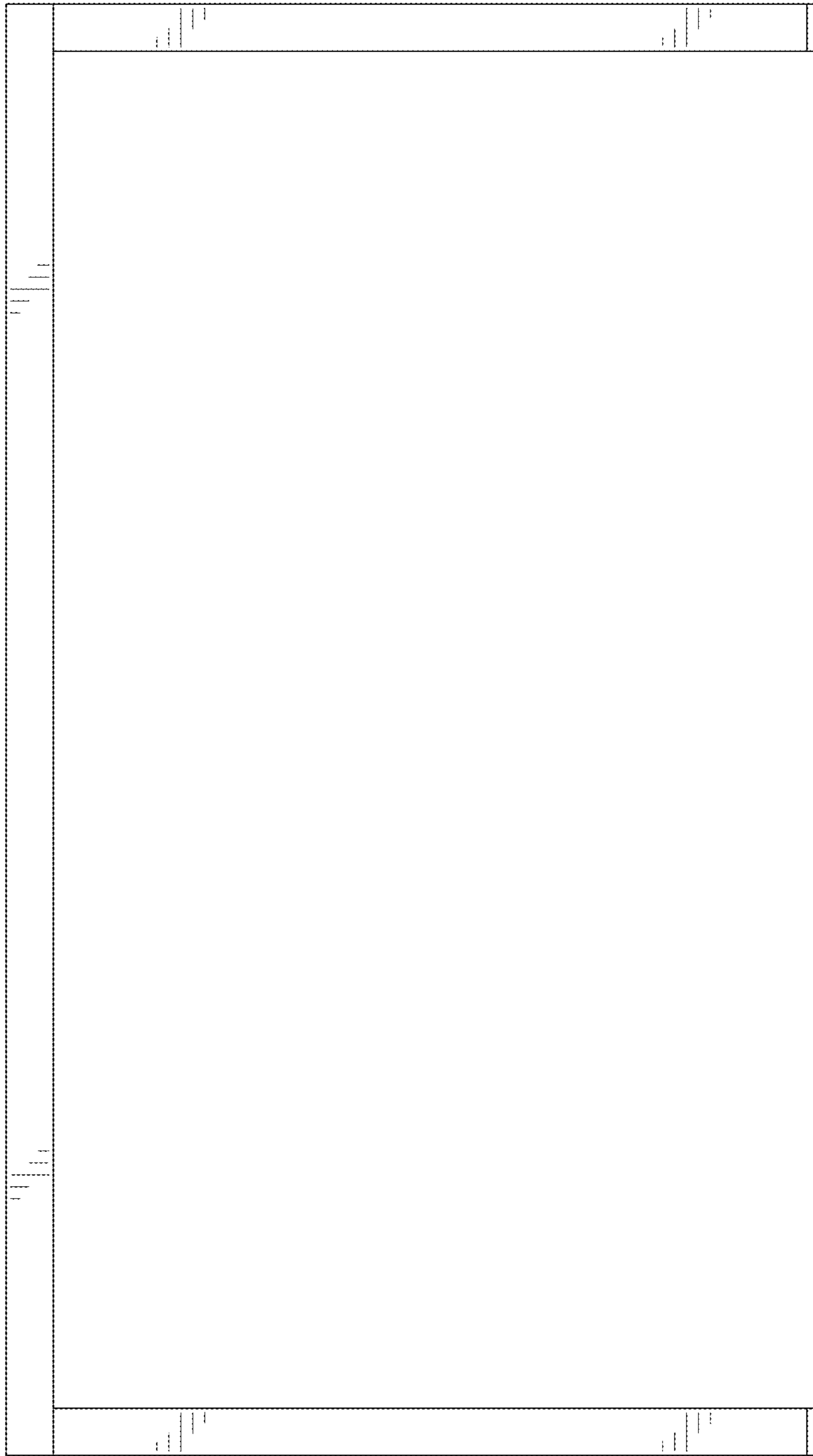


FIG. 4

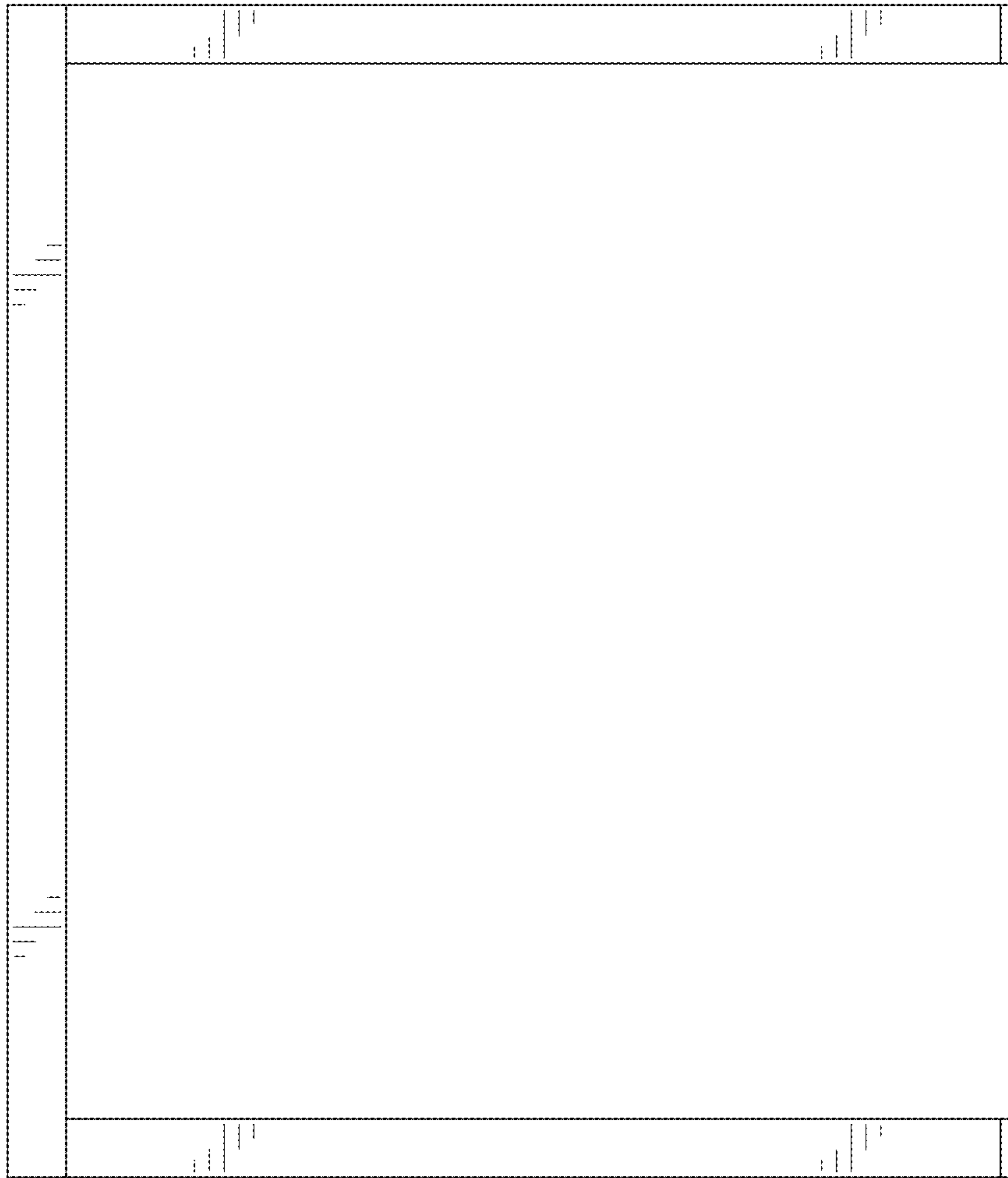


FIG. 5

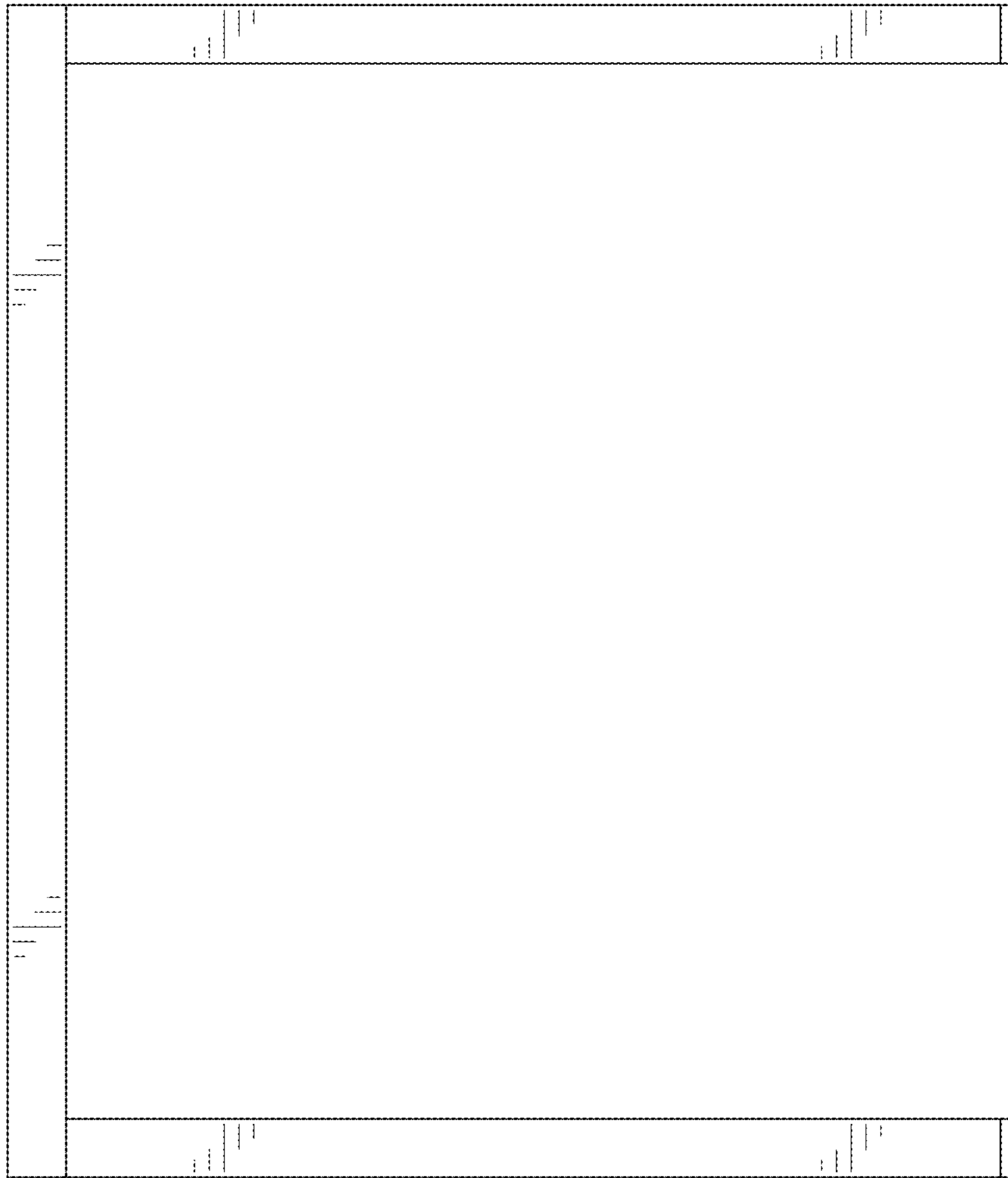


FIG. 6

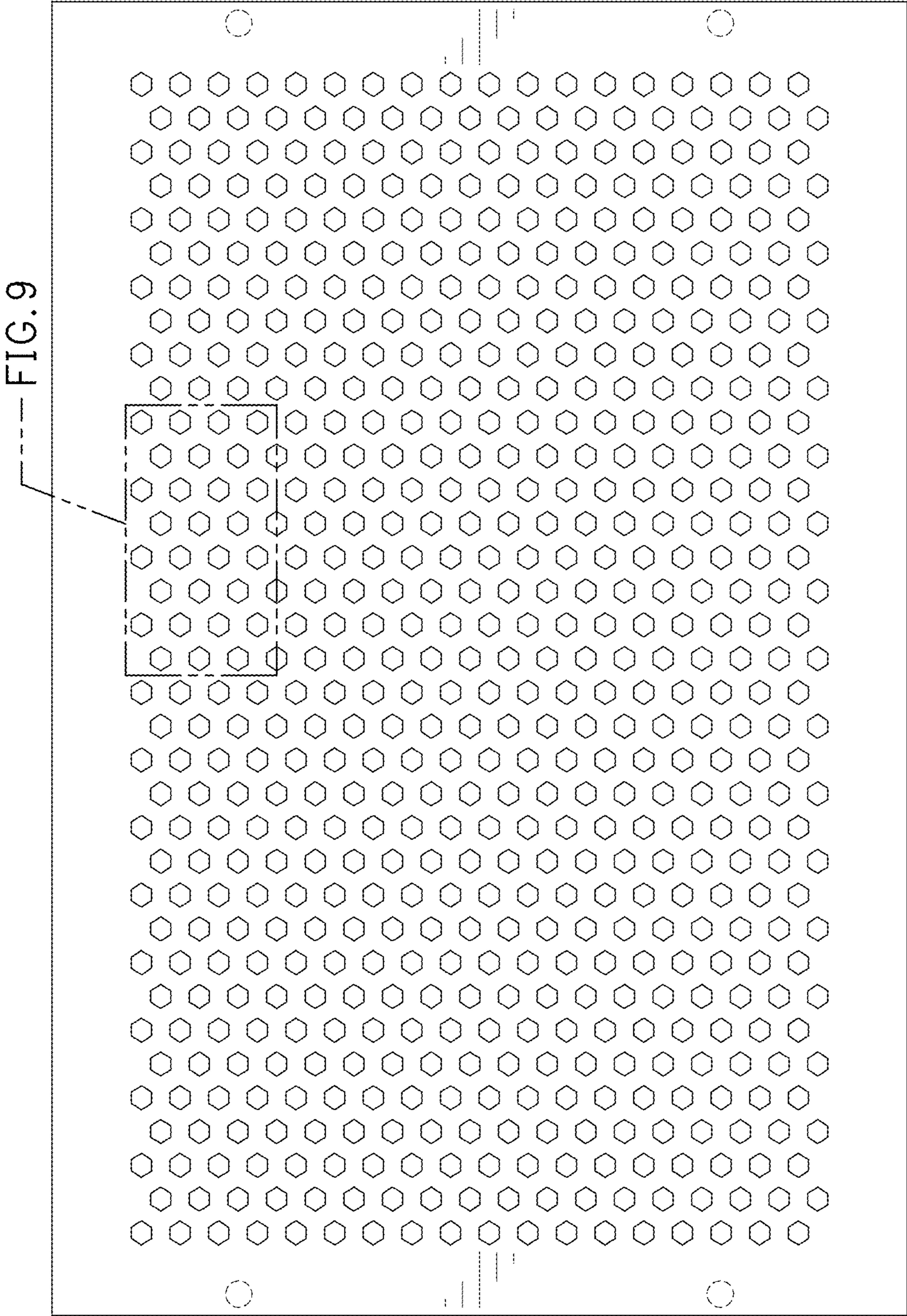


FIG. 7

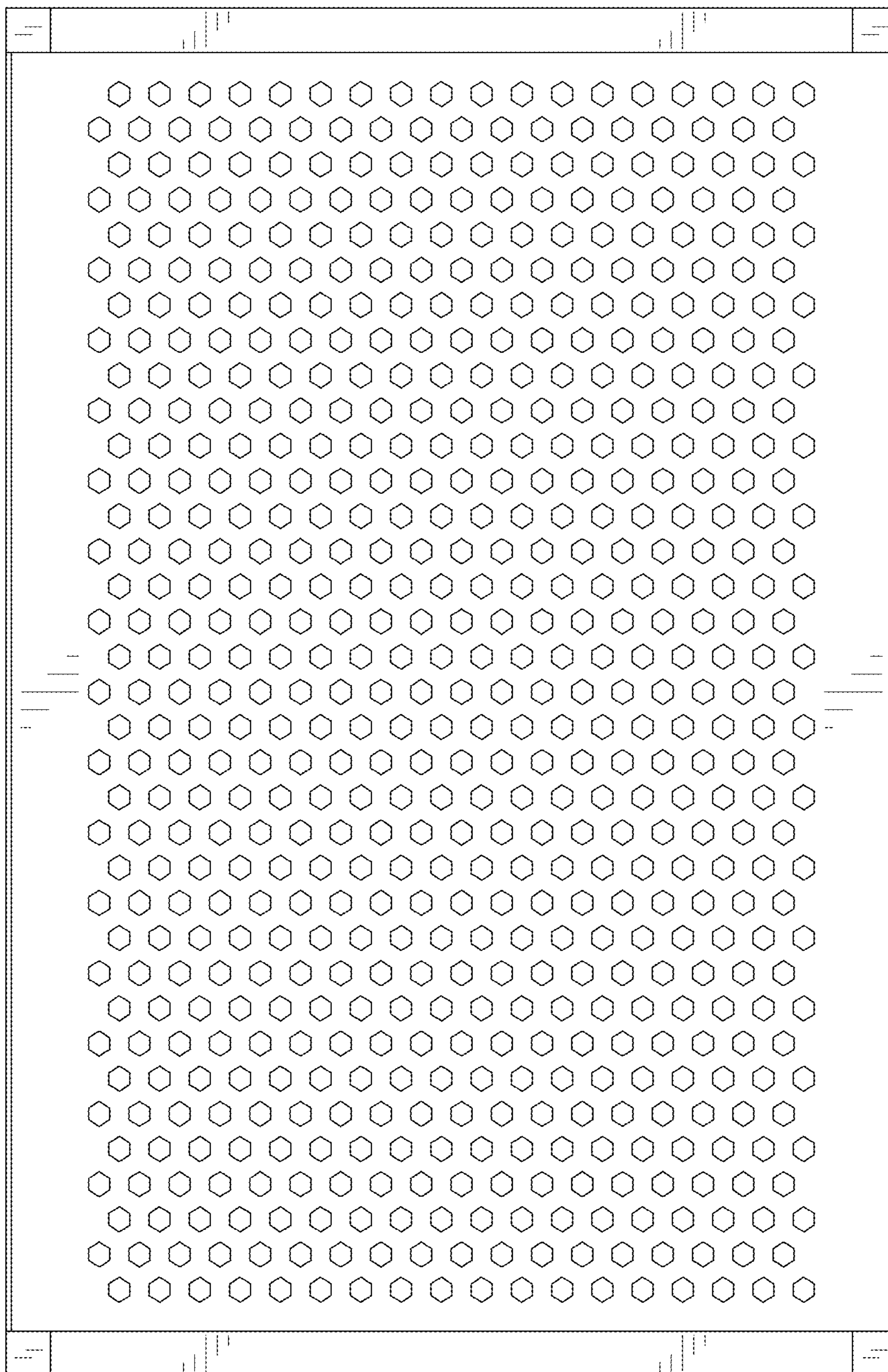


FIG. 8

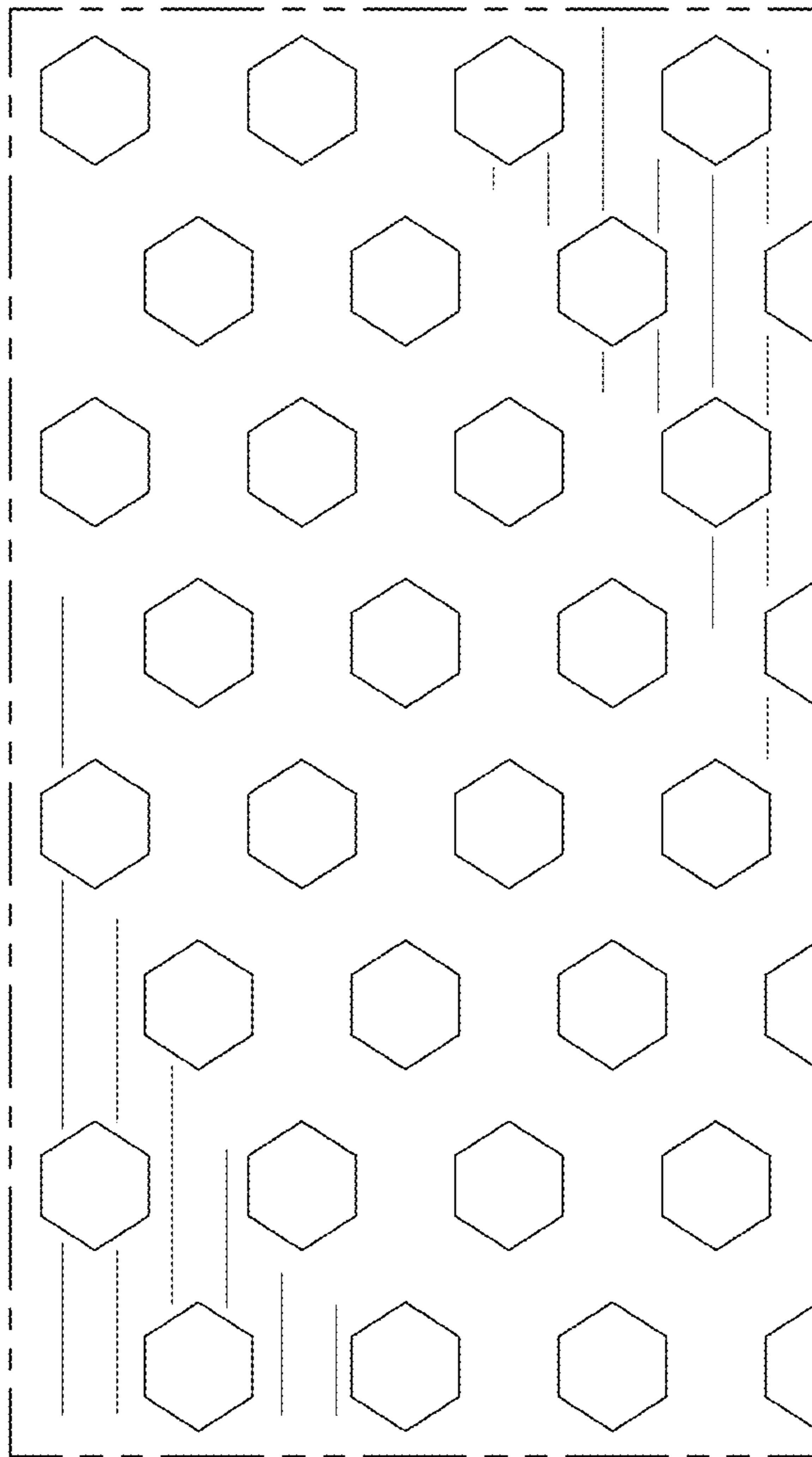


FIG. 9