



US00D880911S

(12) **United States Design Patent**
Maxwell

(10) **Patent No.:** **US D880,911 S**
(45) **Date of Patent:** **** Apr. 14, 2020**

(54) **TABLE**

(71) Applicant: **Doran J. Maxwell**, Sun City West, AZ
(US)

(72) Inventor: **Doran J. Maxwell**, Sun City West, AZ
(US)

(**) Term: **15 Years**

(21) Appl. No.: **29/712,325**

(22) Filed: **Nov. 7, 2019**

(51) **LOC (12) Cl.** **06-03**

(52) **U.S. Cl.**
USPC **D6/688**

(58) **Field of Classification Search**
USPC D6/685, 686, 688, 688.27, 690, 691,
D6/691.1–691.9

CPC A47B 7/00; A47B 13/00; A47B 13/02;
A47B 13/04; A47B 13/06; A47B 13/08;
A47B 13/10; A47B 21/00; A47B 31/00;
A47B 2200/0001; A47B 2200/0011;
A47B 2200/002

See application file for complete search history.

(56) **References Cited**

U.S. PATENT DOCUMENTS

2,981,549	A *	4/1961	Hotton	A47B 31/00 280/47.35
3,413,663	A *	12/1968	Swann	A47B 31/00 5/613
D239,677	S *	4/1976	Shaw	A47B 57/36 D6/404
4,690,417	A *	9/1987	Betts	B62B 3/02 280/42
5,566,961	A *	10/1996	Snell	A47B 31/00 220/4.31
D693,159	S *	11/2013	Lidwell	B62B 3/02 D21/425
10,390,614	B1 *	8/2019	Olivier	A47B 57/36
2009/0200902	A1 *	8/2009	McKay	A47B 31/00 312/249.12

OTHER PUBLICATIONS

Industrial End Table with Wheels—Bed Bath & Beyond <https://www.bedbathandbeyond.com/store/product/industrial-end-table-with-wheels/5017953?keyword=industrial-end-table-with-wheels> retrieved from the internet on Jan. 24, 2020.*
Coffee table with wheels—Momentum Furniture and Deco <http://www.momentum.be/en/coffee-tables/1347-11273-coffee-table-with-wheels.html> retrieved from the internet on Jan. 24, 2020.*

* cited by examiner

Primary Examiner — Mary Ann Calabrese

(74) *Attorney, Agent, or Firm* — Thomas W. Galvani,
P.C.; Thomas W. Galvani

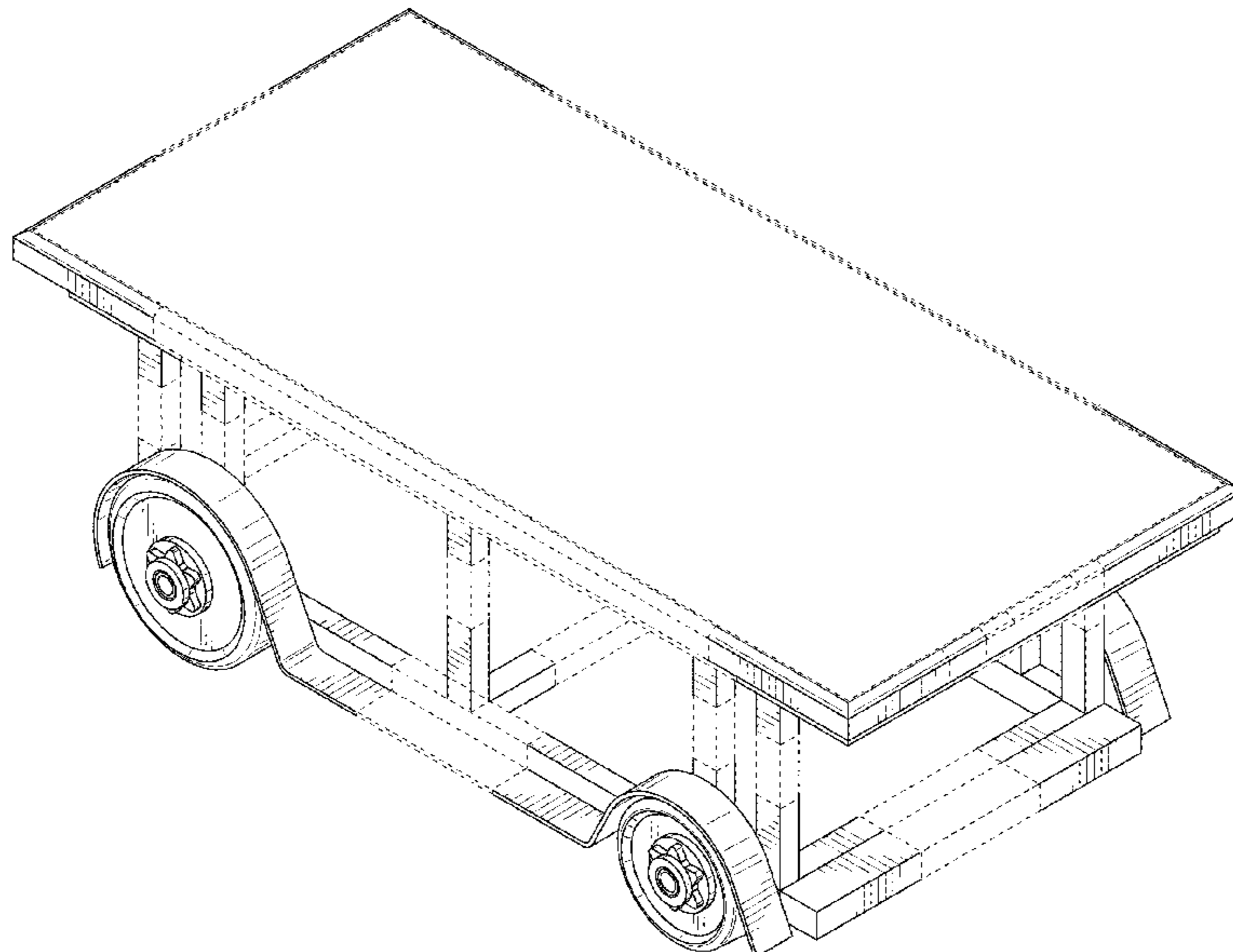
(57) **CLAIM**

The ornamental design for a table, as shown and described.

DESCRIPTION

FIG. 1 is a top perspective view of a table shown in accordance with my new design;
FIG. 2 is a bottom perspective view of the table shown in FIG. 1;
FIG. 3 is a right side elevation view of the table shown in FIG. 1;
FIG. 4 is a left side elevation view of the table shown in FIG. 1;
FIG. 5 is a front elevation view of the table shown in FIG. 1;
FIG. 6 is a rear elevation view of the table shown in FIG. 1;
FIG. 7 is a top plan view of the table shown in FIG. 1; and,
FIG. 8 is a bottom plan view of the table shown in FIG. 1.
The features shown in broken lines are for the purposes of showing portions of the article which form no part of the claimed design and of showing boundaries between claimed and unclaimed portions.

1 Claim, 8 Drawing Sheets



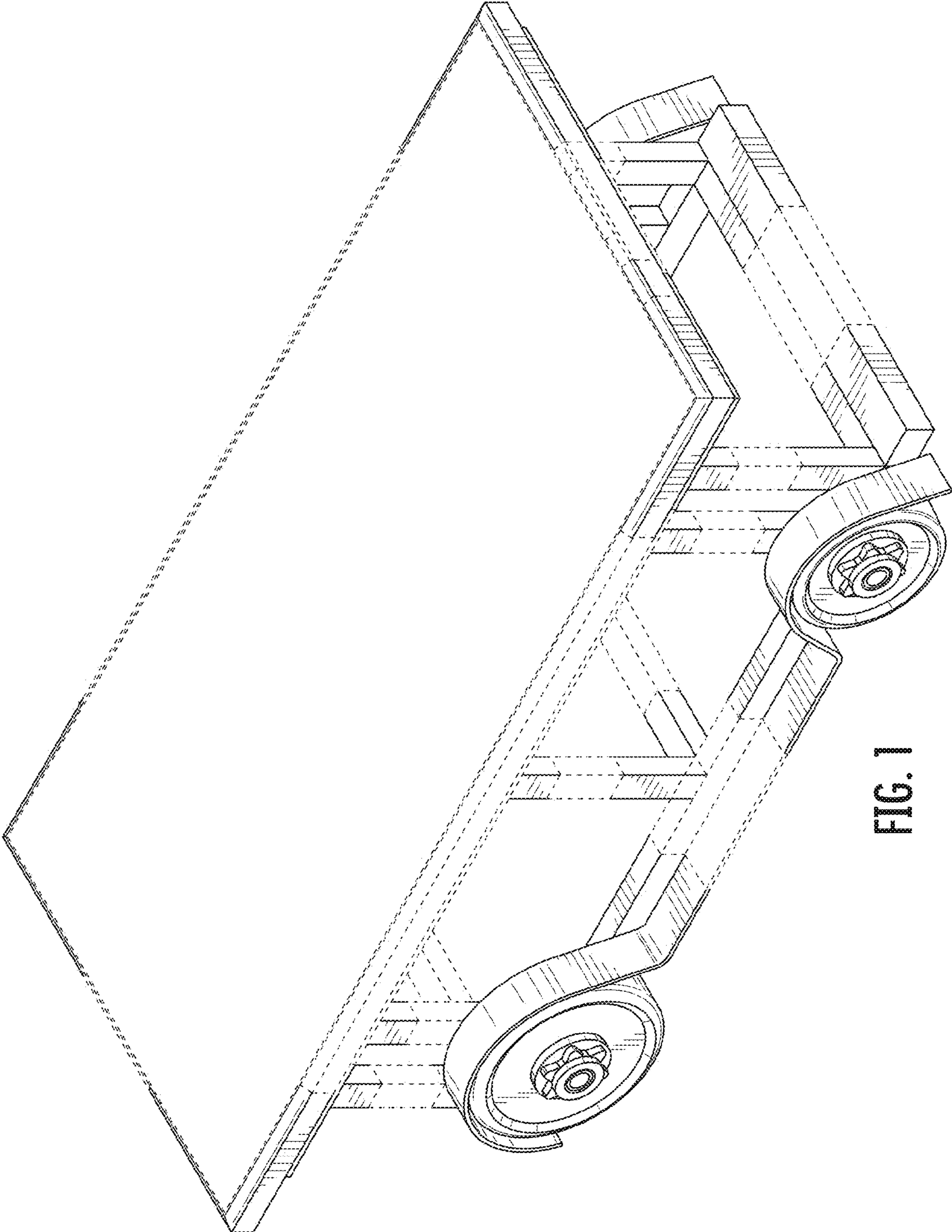


FIG. 1

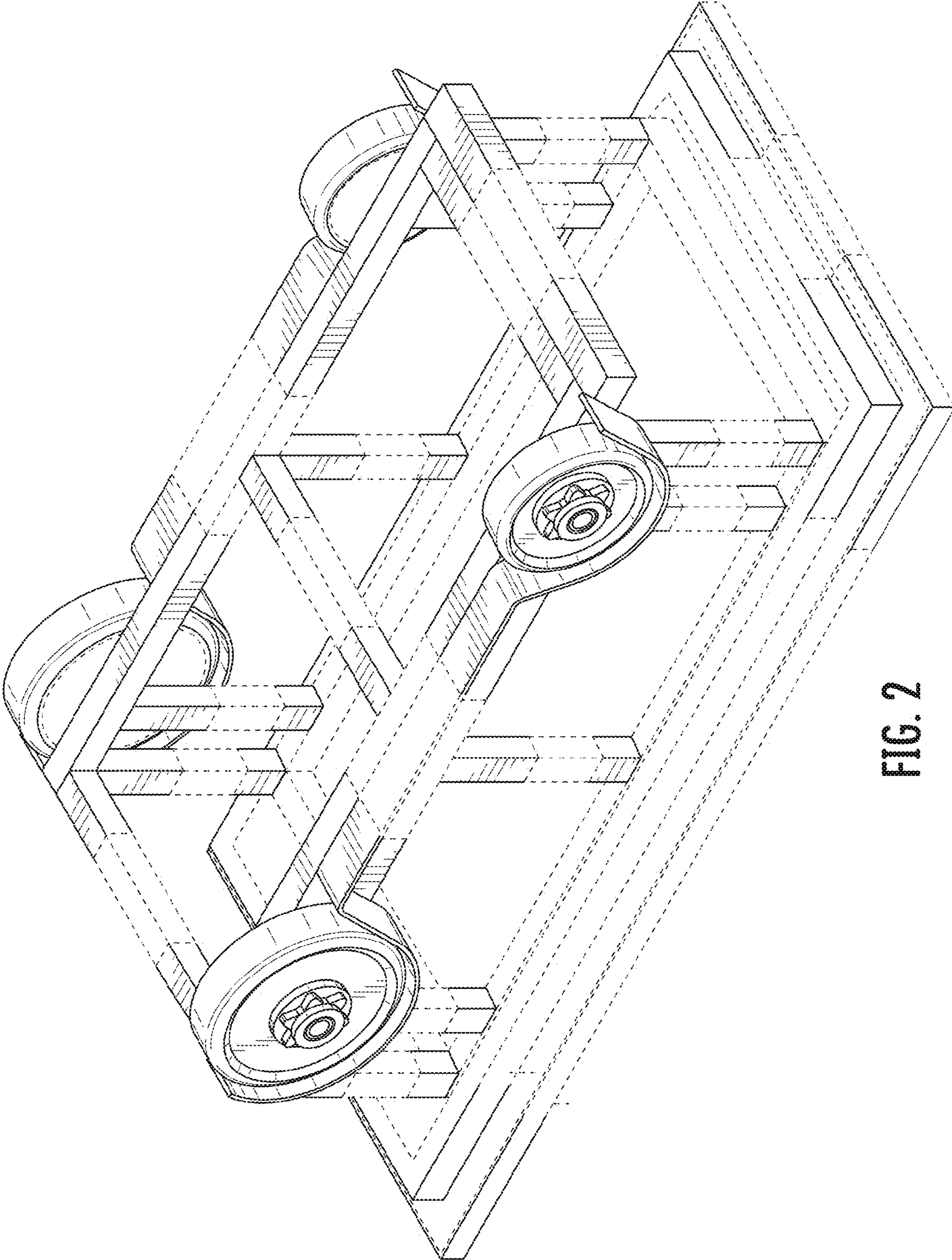


FIG. 2

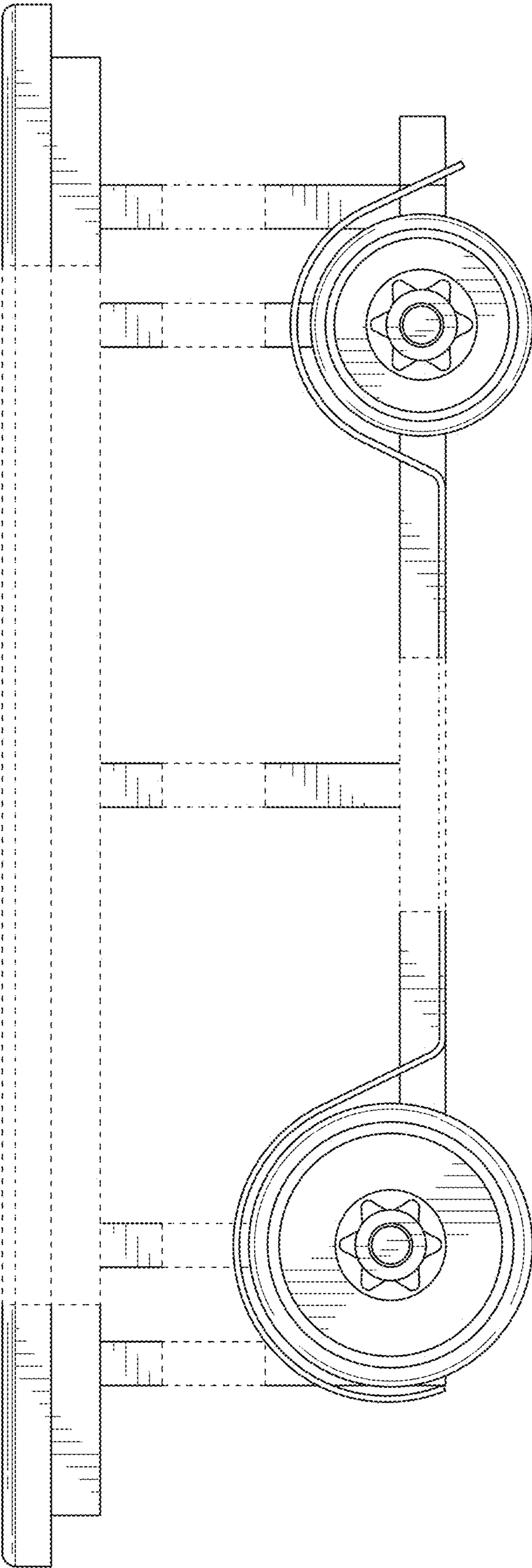


FIG. 3

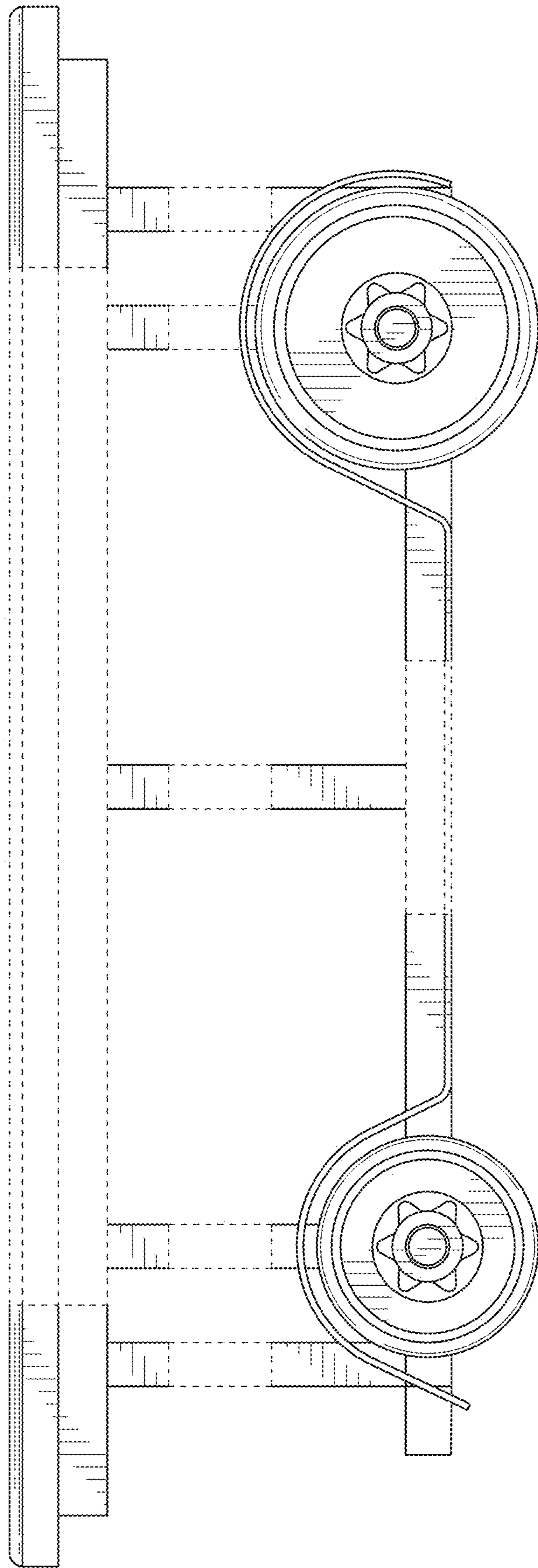


FIG. 4

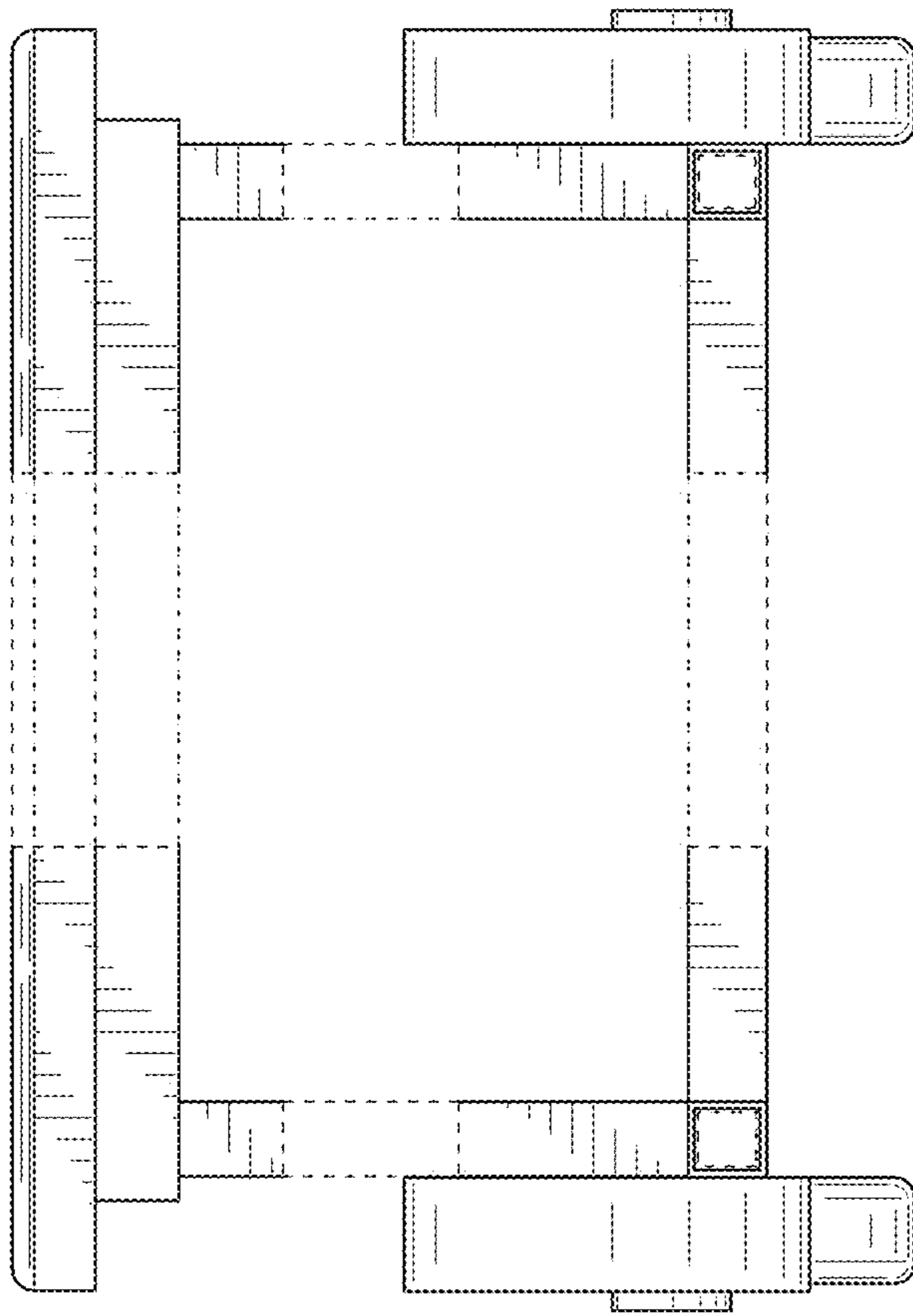


FIG. 5

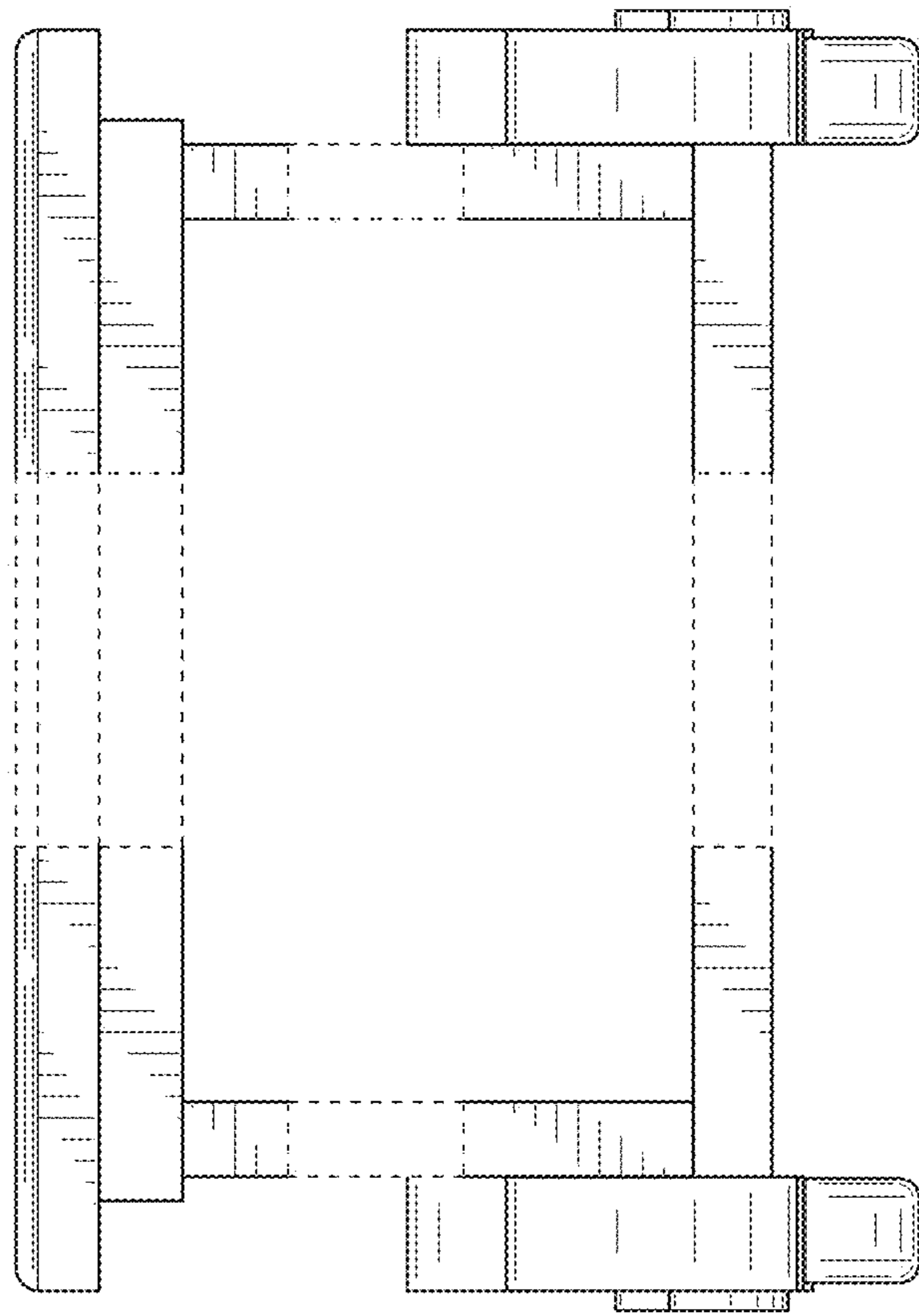


FIG. 6

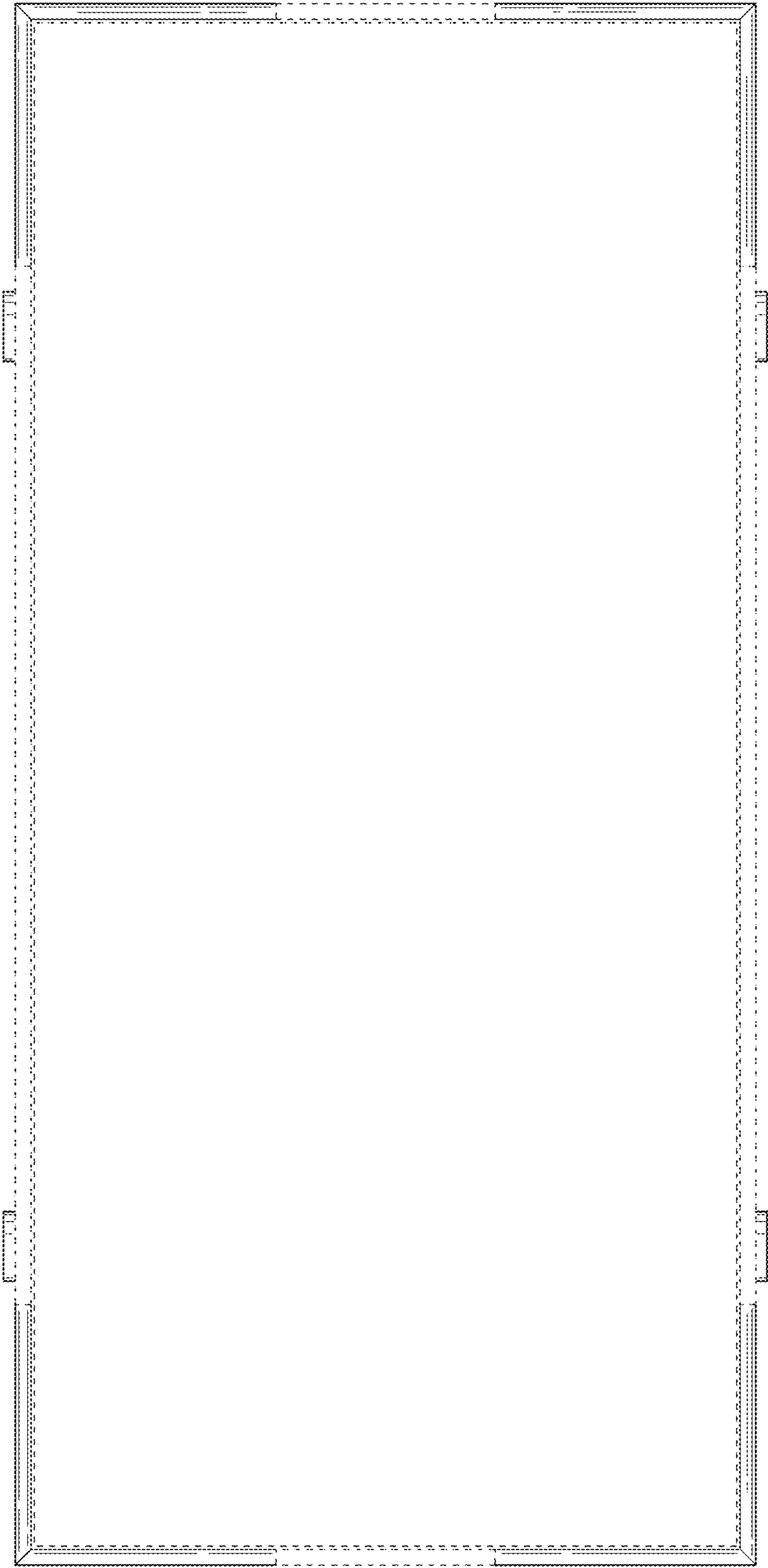


FIG. 7

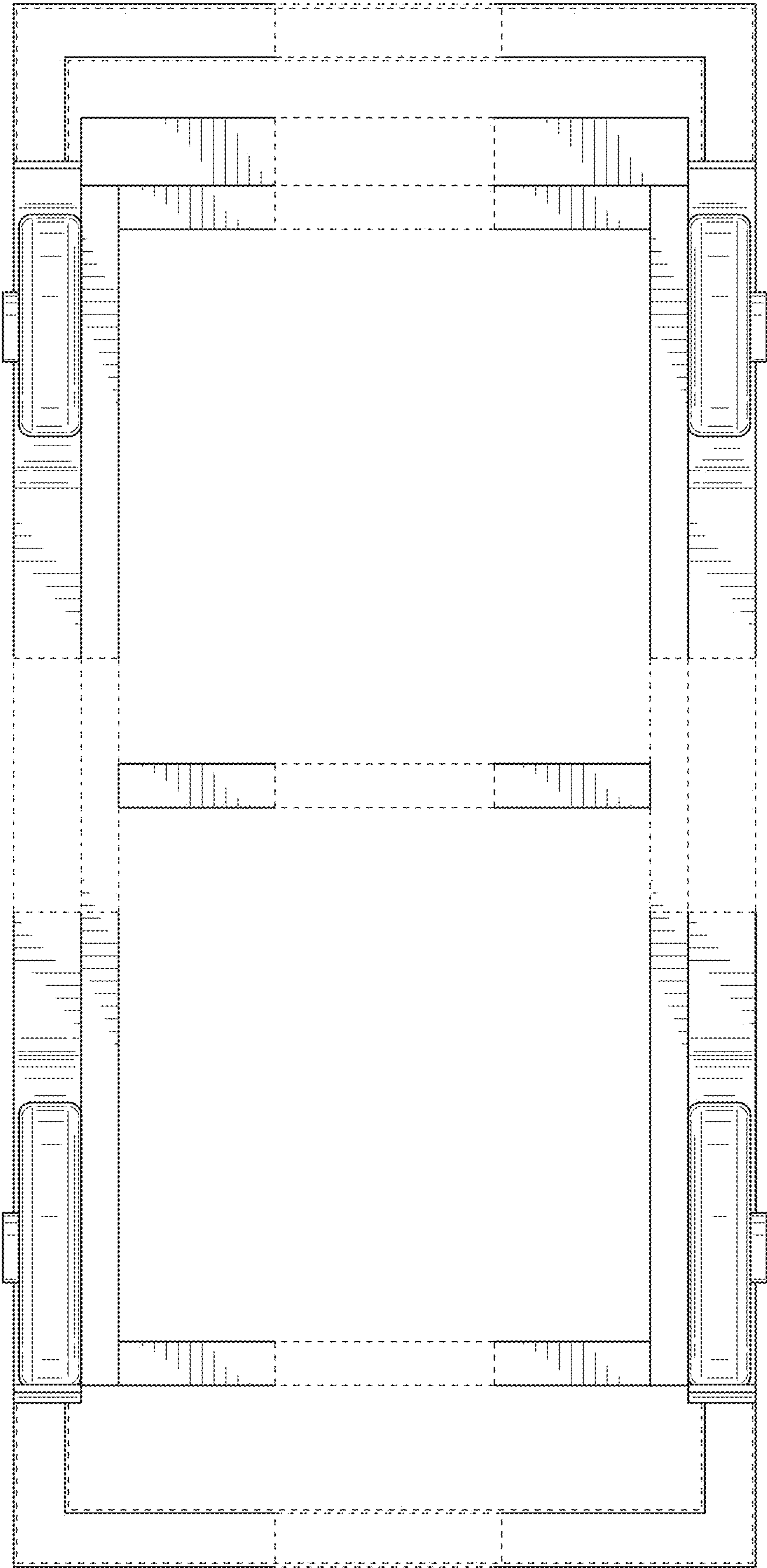


FIG. 8