



US00D880910S

(12) **United States Design Patent**  
**Goodman et al.**

(10) **Patent No.:** **US D880,910 S**

(45) **Date of Patent:** **\*\* Apr. 14, 2020**

(54) **ORGANIZER**

(71) Applicant: **Spectrum Diversified Designs, LLC**,  
Streetsboro, OH (US)

(72) Inventors: **Aaron Goodman**, Beachwood, OH  
(US); **Megan Dittrich**, Twinsburg, OH  
(US)

(73) Assignee: **SPECTRUM DIVERSIFIED  
DESIGNS, LLC**, Streetsboro, OH (US)

(\*\*) Term: **15 Years**

(21) Appl. No.: **29/632,417**

(22) Filed: **Jan. 8, 2018**

(51) **LOC (12) Cl.** ..... **06-06**

(52) **U.S. Cl.**  
USPC ..... **D6/675.5**

(58) **Field of Classification Search**  
USPC ..... D3/304, 306, 312, 314, 315, 328;  
D9/414, 432; D6/672, 675, 675.5, 705.6;  
D7/600.1, 601-602  
CPC ..... B65D 1/22; B65D 1/38; B65D 21/0209;  
B65D 21/0211; A47F 5/01; A47F 7/00;  
A47F 5/0823

See application file for complete search history.

(56) **References Cited**

**U.S. PATENT DOCUMENTS**

D296,600 S \* 7/1988 Singerman ..... D3/306  
5,191,985 A \* 3/1993 Licari ..... A47B 87/0207  
211/126.2

D362,567 S \* 9/1995 Licari ..... D6/657  
D383,283 S \* 9/1997 Hankins, III ..... D3/306  
D484,666 S \* 12/2003 Caya ..... D3/304  
D590,634 S \* 4/2009 Nigro ..... D6/675.5  
D653,876 S \* 2/2012 Snider ..... D6/675.5  
D692,666 S \* 11/2013 Goodman ..... D3/304  
D721,904 S \* 2/2015 Tsai ..... D6/675.5  
D784,698 S \* 4/2017 Goodman ..... D3/306  
D828,706 S \* 9/2018 Velez ..... D6/675.5  
D851,958 S \* 6/2019 Goodman ..... D6/566

**OTHER PUBLICATIONS**

<https://www.birchlane.com/living/pdp/scout-wire-wall-mounted-coat-rack-sgbh5607.html>.

\* cited by examiner

*Primary Examiner* — Kelley A Donnelly

(74) *Attorney, Agent, or Firm* — Tucker Ellis LLP

(57) **CLAIM**

The ornamental design for an organizer, as shown and described.

**DESCRIPTION**

FIG. 1 is a perspective view of an organizer showing our new design.

FIG. 2 is a front view thereof.

FIG. 3 is a rear view thereof.

FIG. 4 is a right side view thereof.

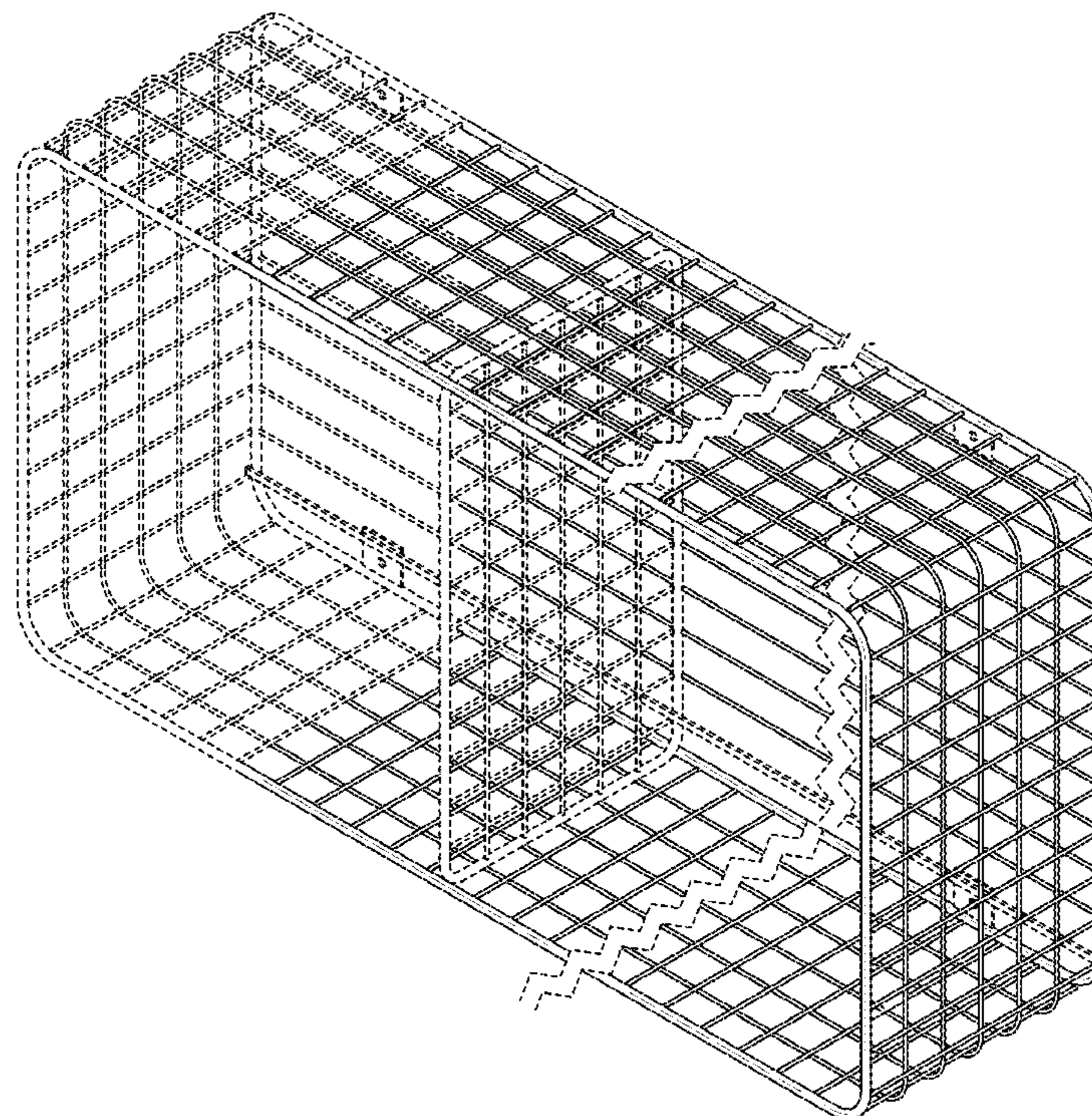
FIG. 5 is a left side view thereof.

FIG. 6 is a top view thereof; and,

FIG. 7 is a bottom view thereof.

The broken lines that define the bounds of the claimed design form no part thereof.

**1 Claim, 4 Drawing Sheets**



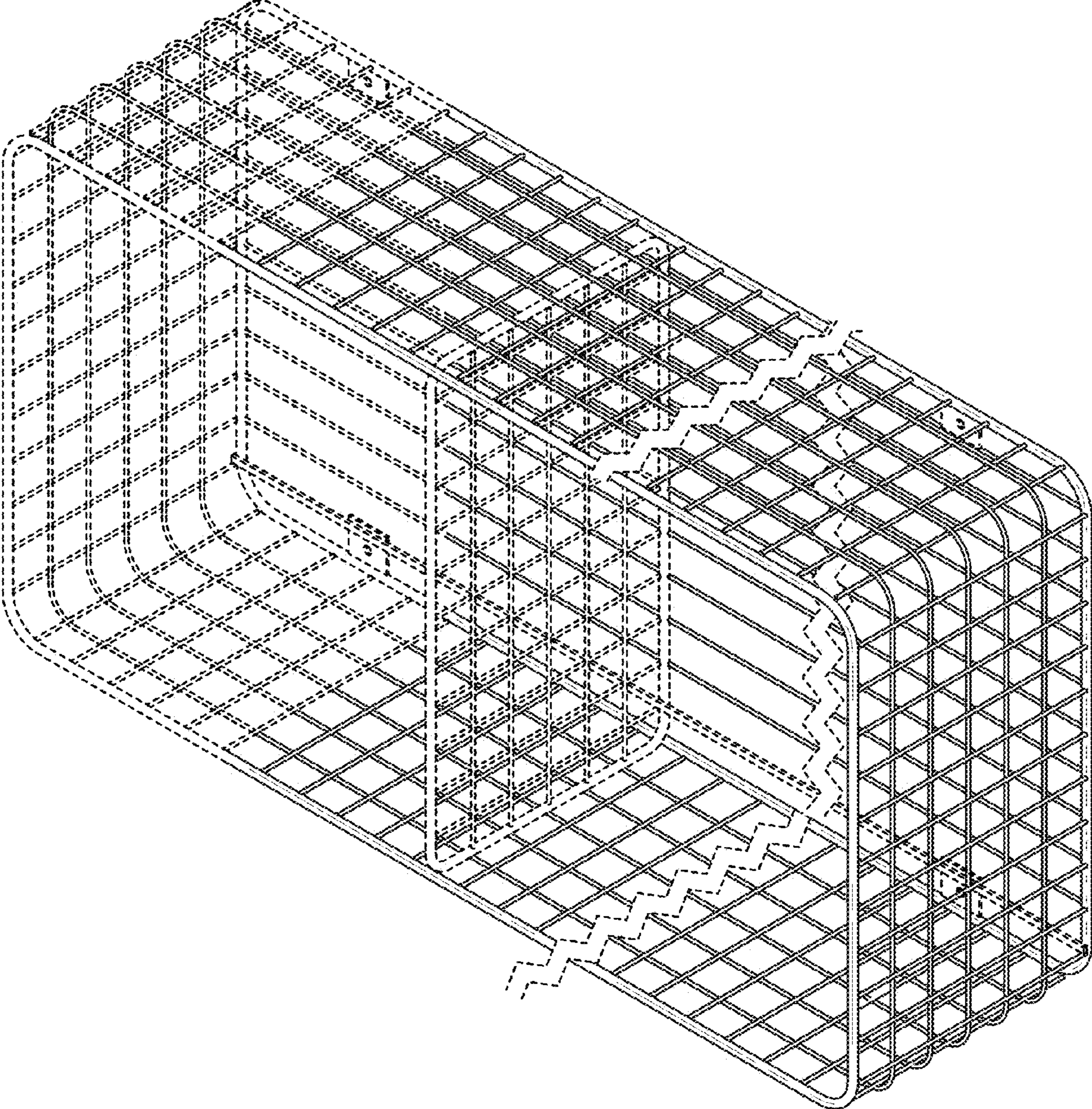


FIG. 1

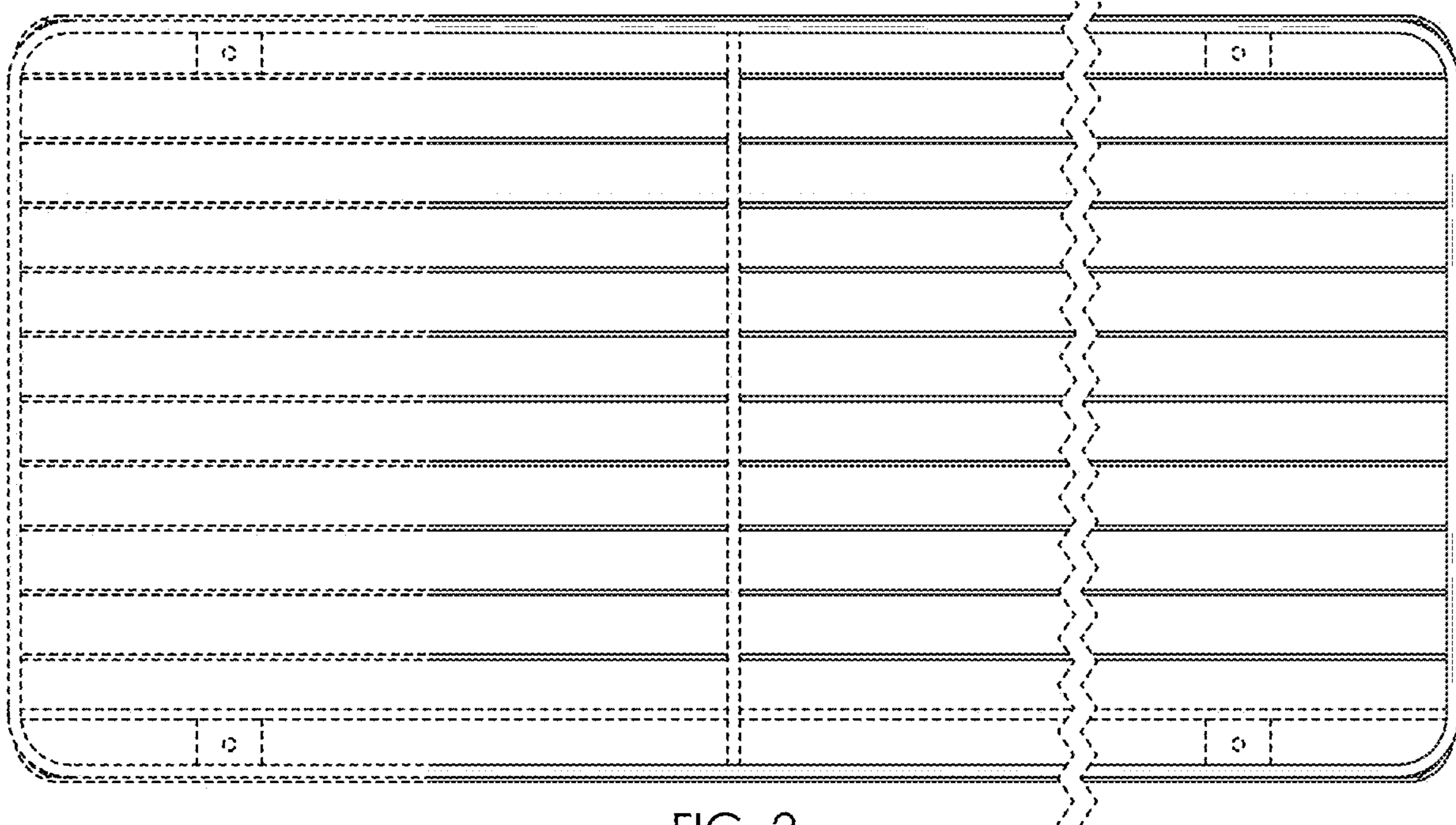


FIG. 2

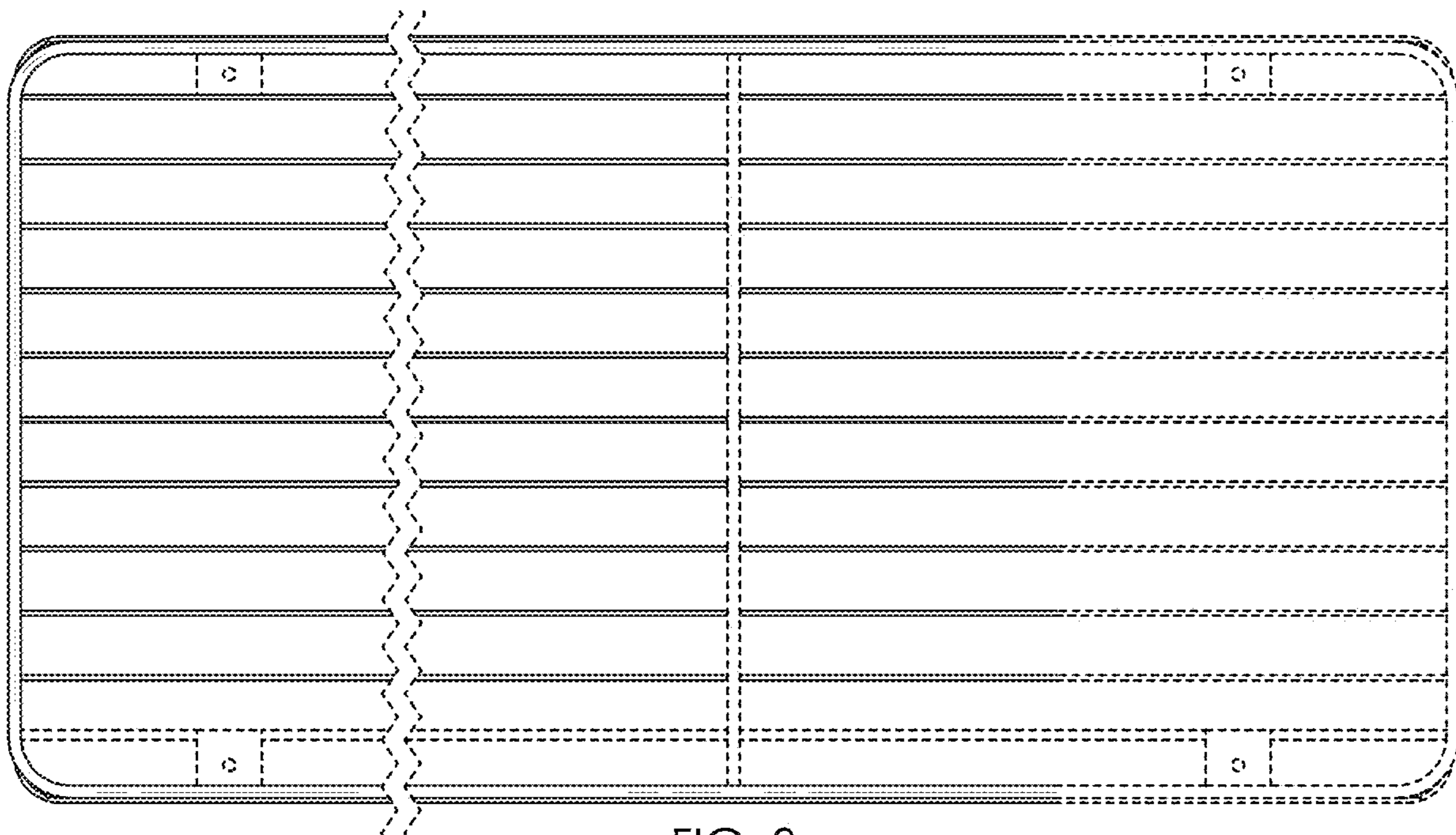


FIG. 3

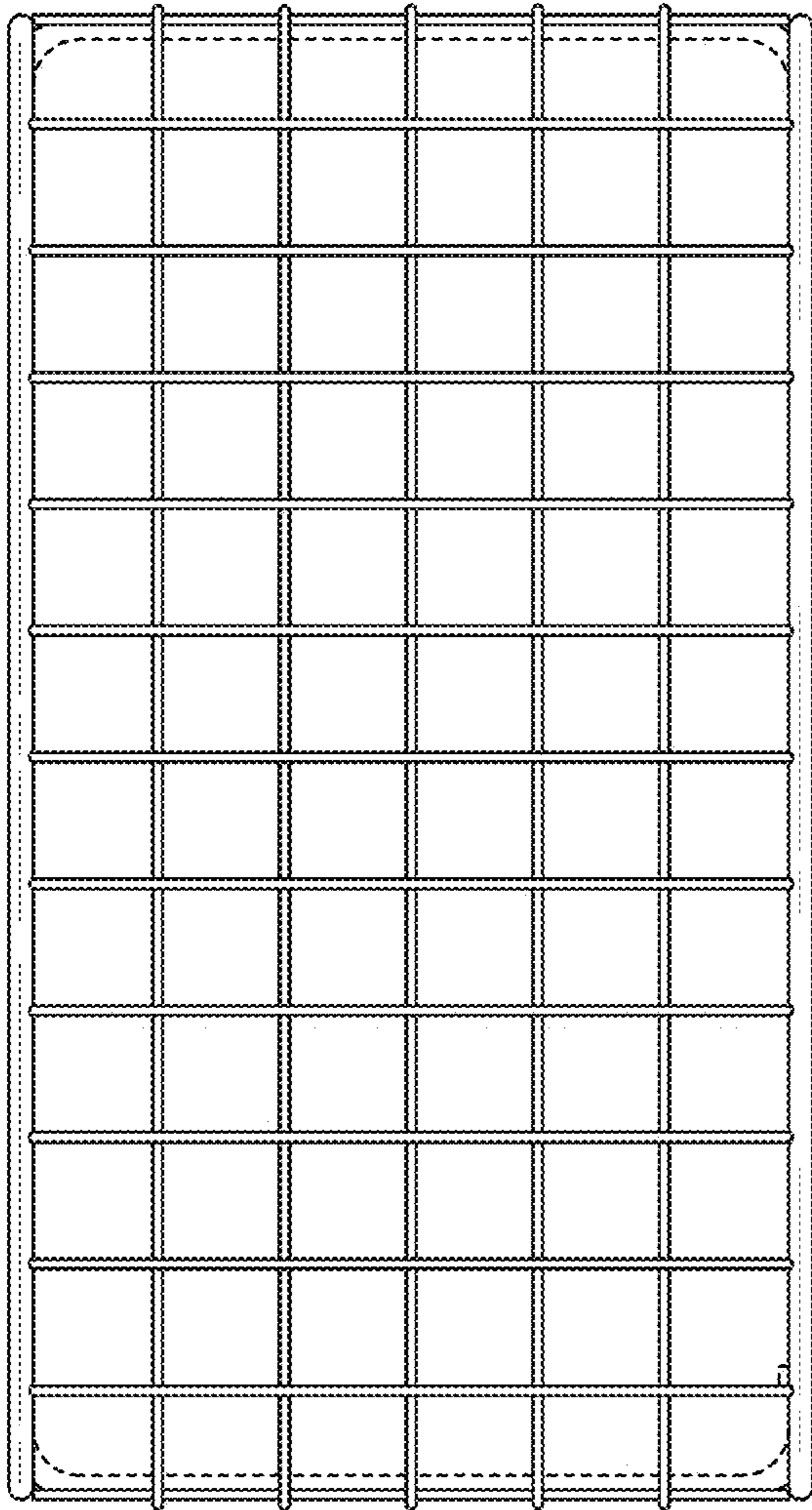


FIG. 4

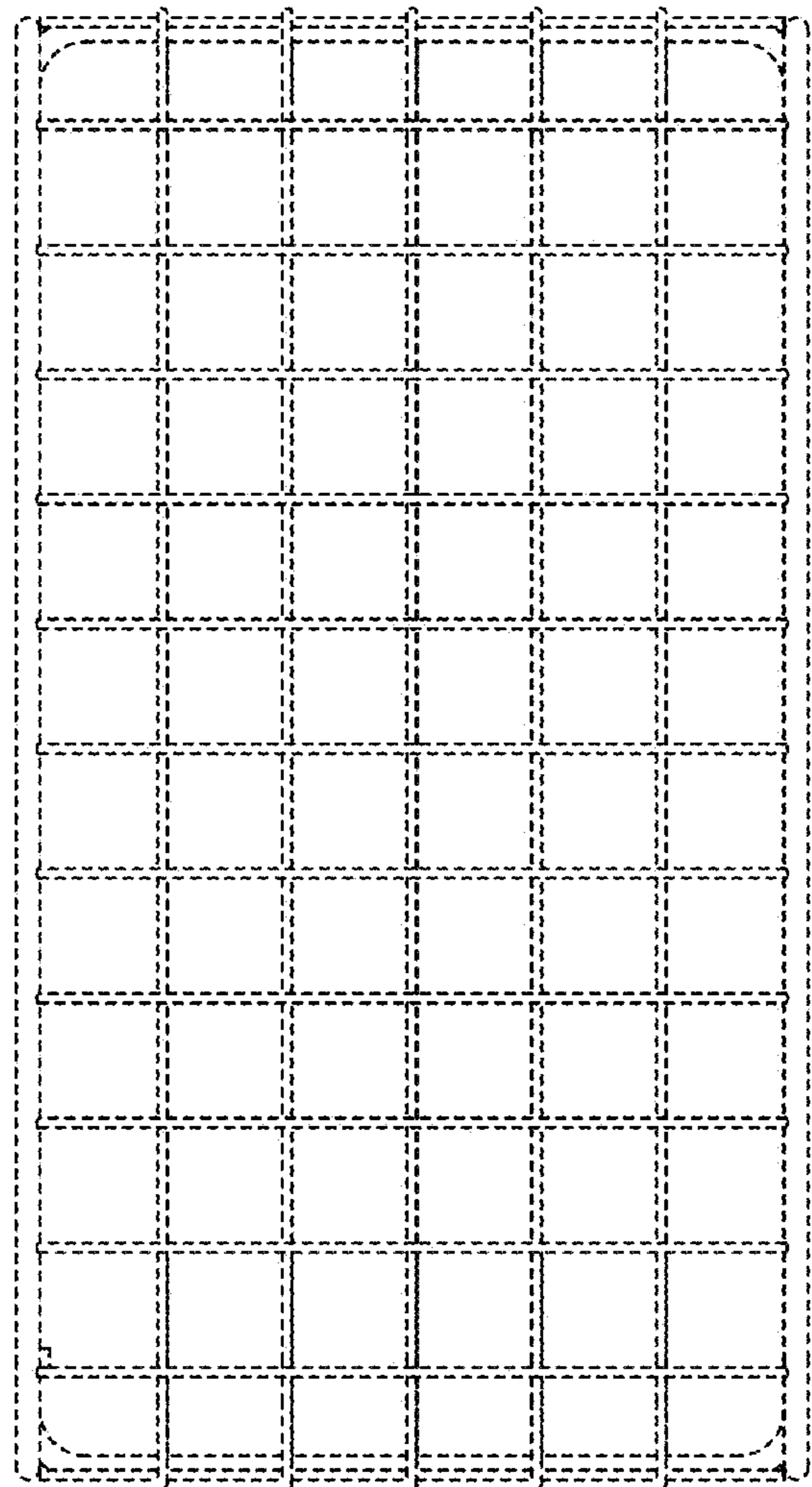


FIG. 5

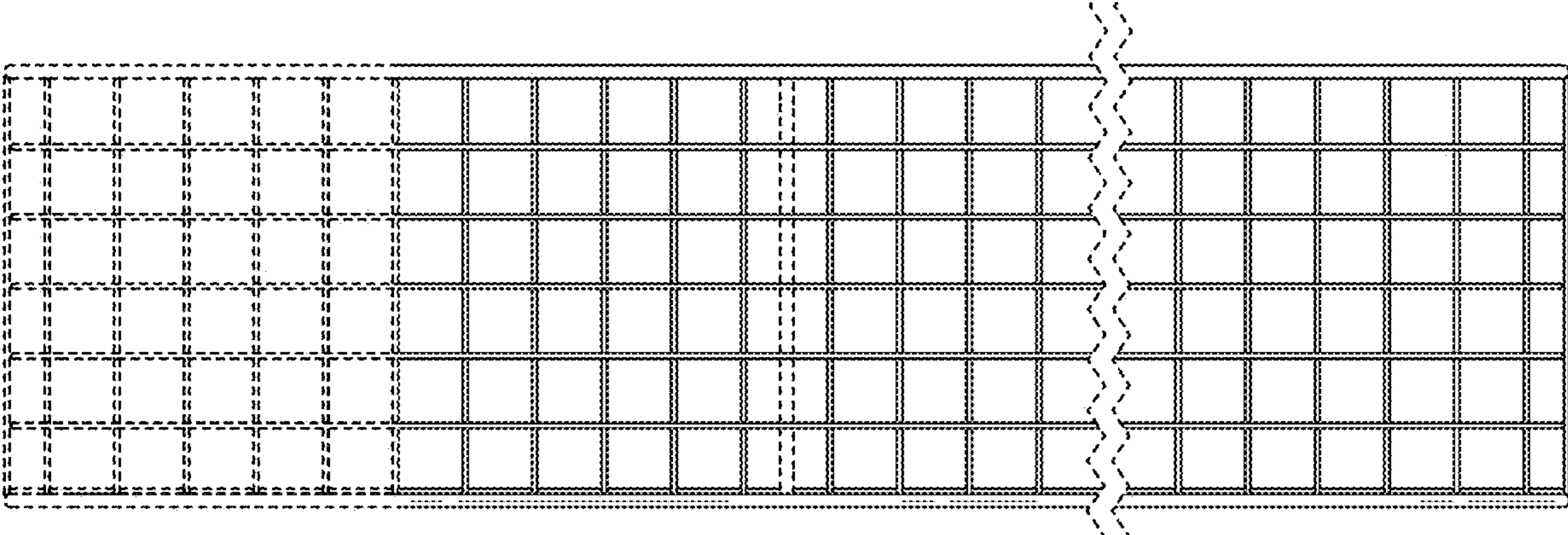


FIG. 6

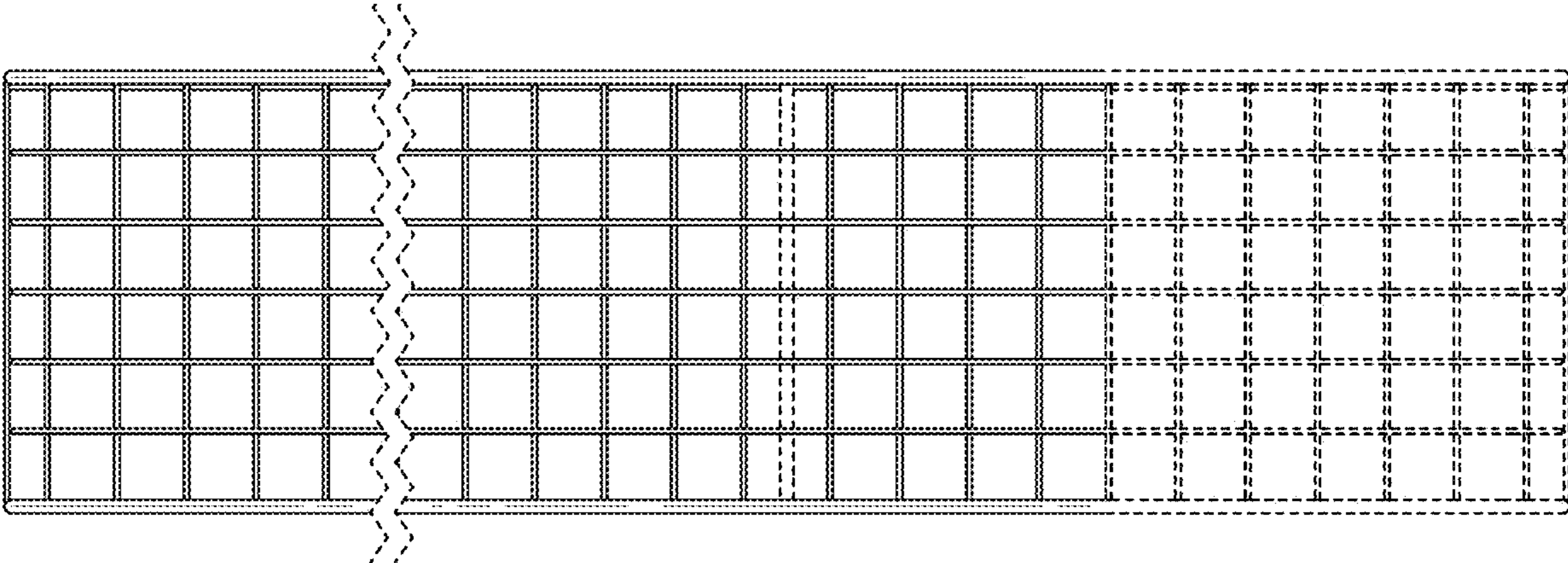


FIG. 7