



US00D880909S

(12) **United States Design Patent**
Chowdhury

(10) **Patent No.:** **US D880,909 S**

(45) **Date of Patent:** **** Apr. 14, 2020**

(54) **SHOE RACK**

(71) Applicant: **Fuad Chowdhury**, London (GB)

(72) Inventor: **Fuad Chowdhury**, London (GB)

(**) Term: **15 Years**

(21) Appl. No.: **29/634,669**

(22) Filed: **Jan. 24, 2018**

(51) **LOC (12) Cl.** **06-06**

(52) **U.S. Cl.**

USPC **D6/675.4**

(58) **Field of Classification Search**

USPC ... D6/315-328, 552, 672, 675, 675.1, 675.3,
D6/675.4, 677.1, 677.3, 678, 678.1, 681,
D6/681.1, 681.2, 681.3, 682, 682.3, 682.4

CPC A47F 5/02; A47F 7/08; A47F 5/116; A47F
5/118; A47F 5/12; A47F 5/005; A47F
5/0807; A47F 5/0846

See application file for complete search history.

(56) **References Cited**

U.S. PATENT DOCUMENTS

D228,110 S * 8/1973 Kerman D6/675.4
D264,025 S * 4/1982 Franklin D6/675.4

D266,466 S * 10/1982 Winter D6/675.4
D586,582 S * 2/2009 Alexander D6/675.4
D614,421 S * 4/2010 Sexton D6/675.1
D706,559 S * 6/2014 Muller D6/578.1
D707,913 S * 6/2014 Gonzalez D34/21
D718,958 S * 12/2014 Boorazanes D6/675
D722,243 S * 2/2015 Kehoe D6/675.3
D722,795 S * 2/2015 Wehner D6/675.1
D760,503 S * 7/2016 Arguelles D6/315
9,782,996 B1 * 10/2017 Kuo B42F 7/12
D833,782 S * 11/2018 Amacher, Jr. D6/675.4
D839,029 S * 1/2019 Nilsson D6/675.4
D841,374 S * 2/2019 Felsenthal D6/681

* cited by examiner

Primary Examiner — Lauren R Calve

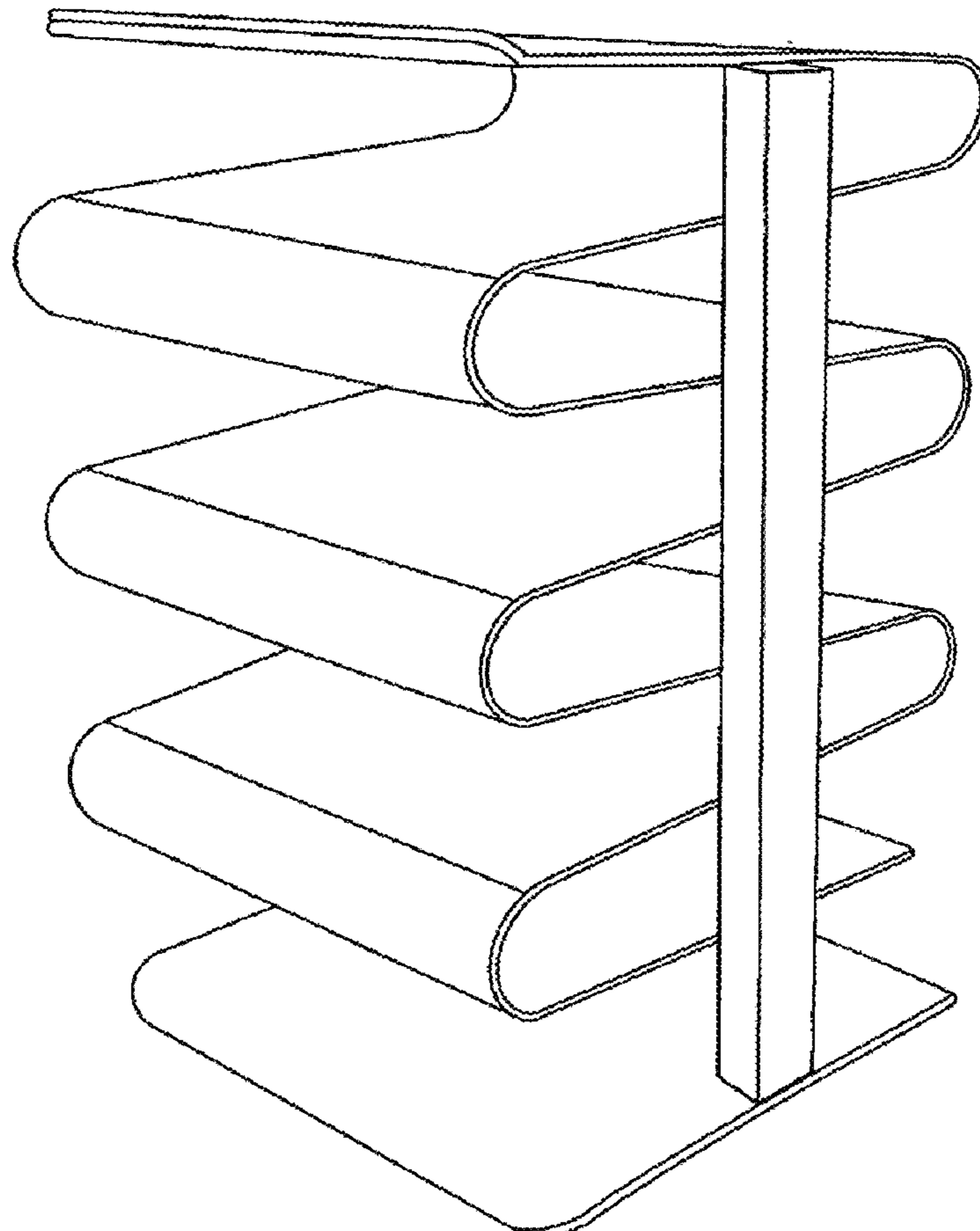
(57) **CLAIM**

The ornamental design for a shoe rack, as shown.

DESCRIPTION

FIG. 1 is a front perspective view of a shoe rack, showing my new design;
FIG. 2 is a back perspective view thereof;
FIG. 3 is a right perspective view thereof;
FIG. 4 is a left perspective view thereof;
FIG. 5 is a top view thereof;
FIG. 6 is a bottom view thereof; and,
FIG. 7 is a top perspective view thereof.

1 Claim, 7 Drawing Sheets



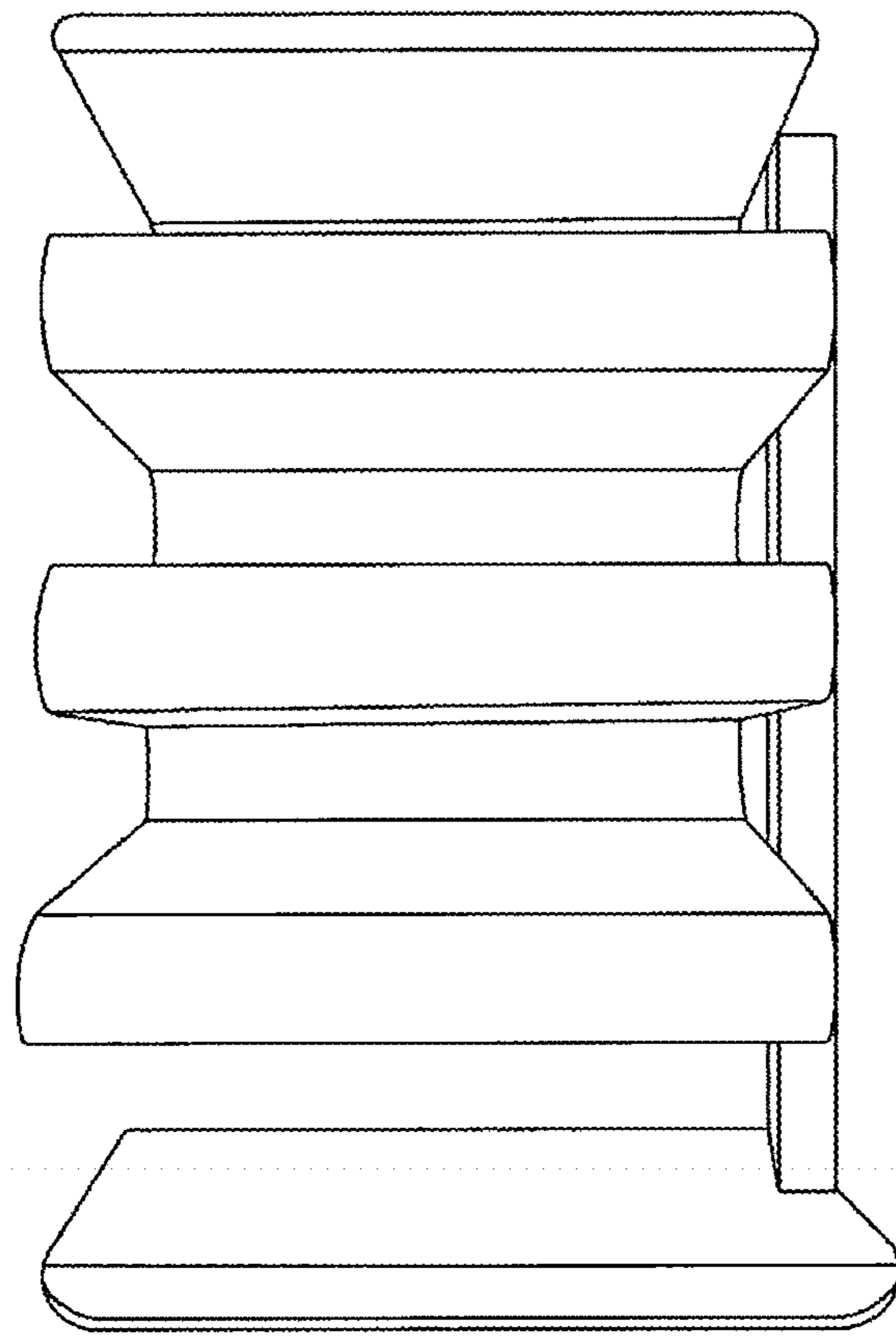


FIG. 1

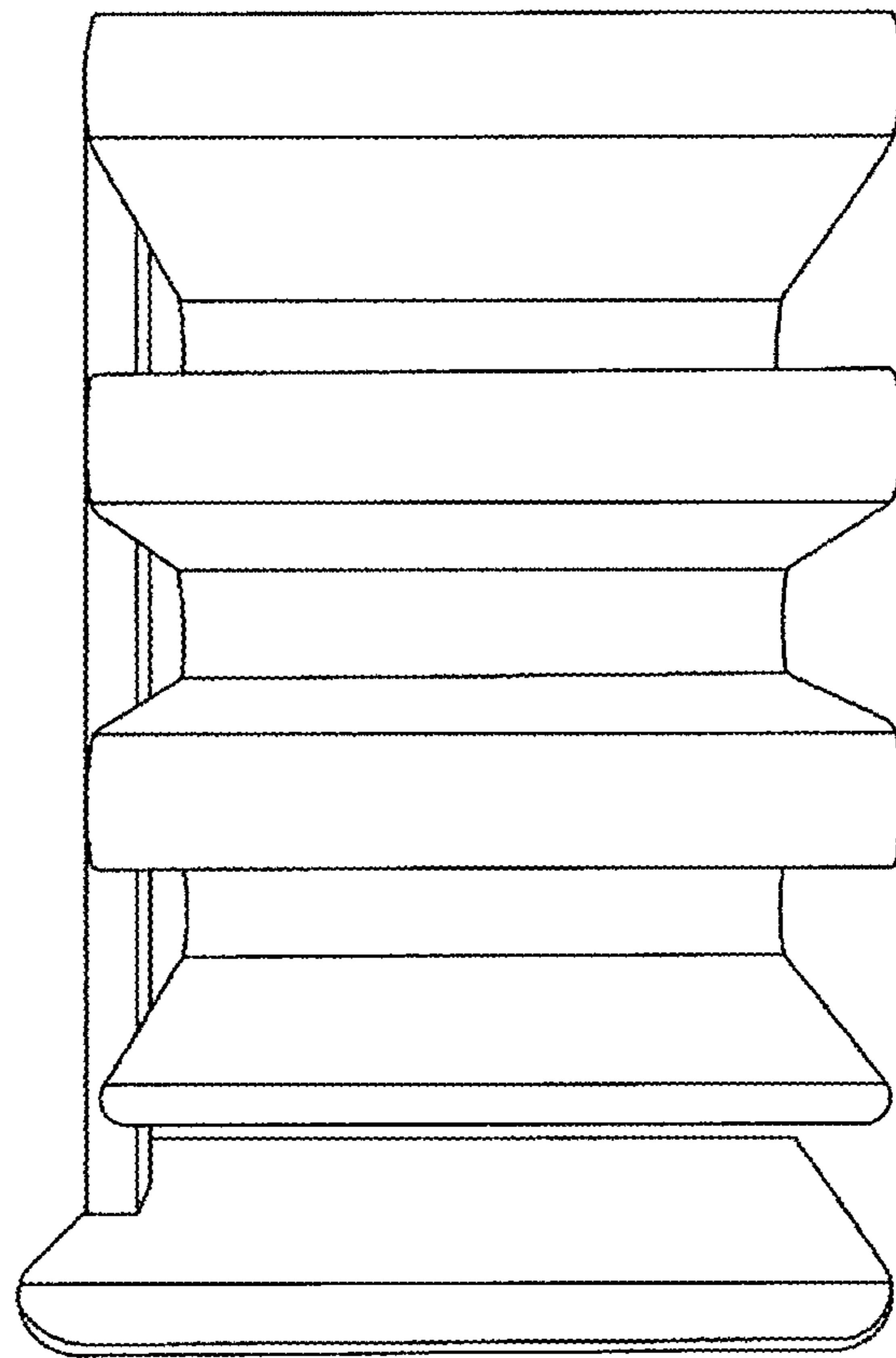


FIG. 2

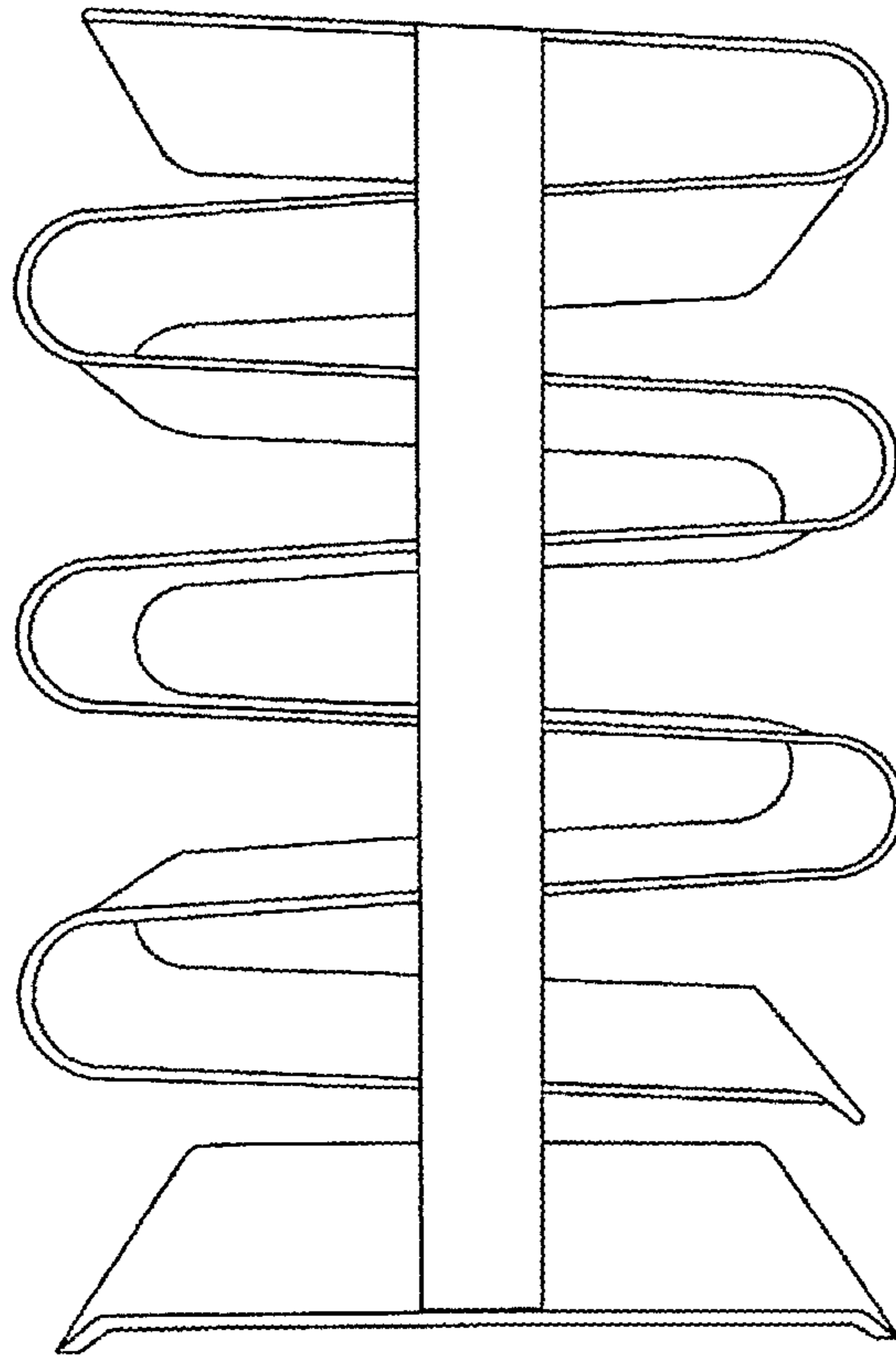


FIG. 3

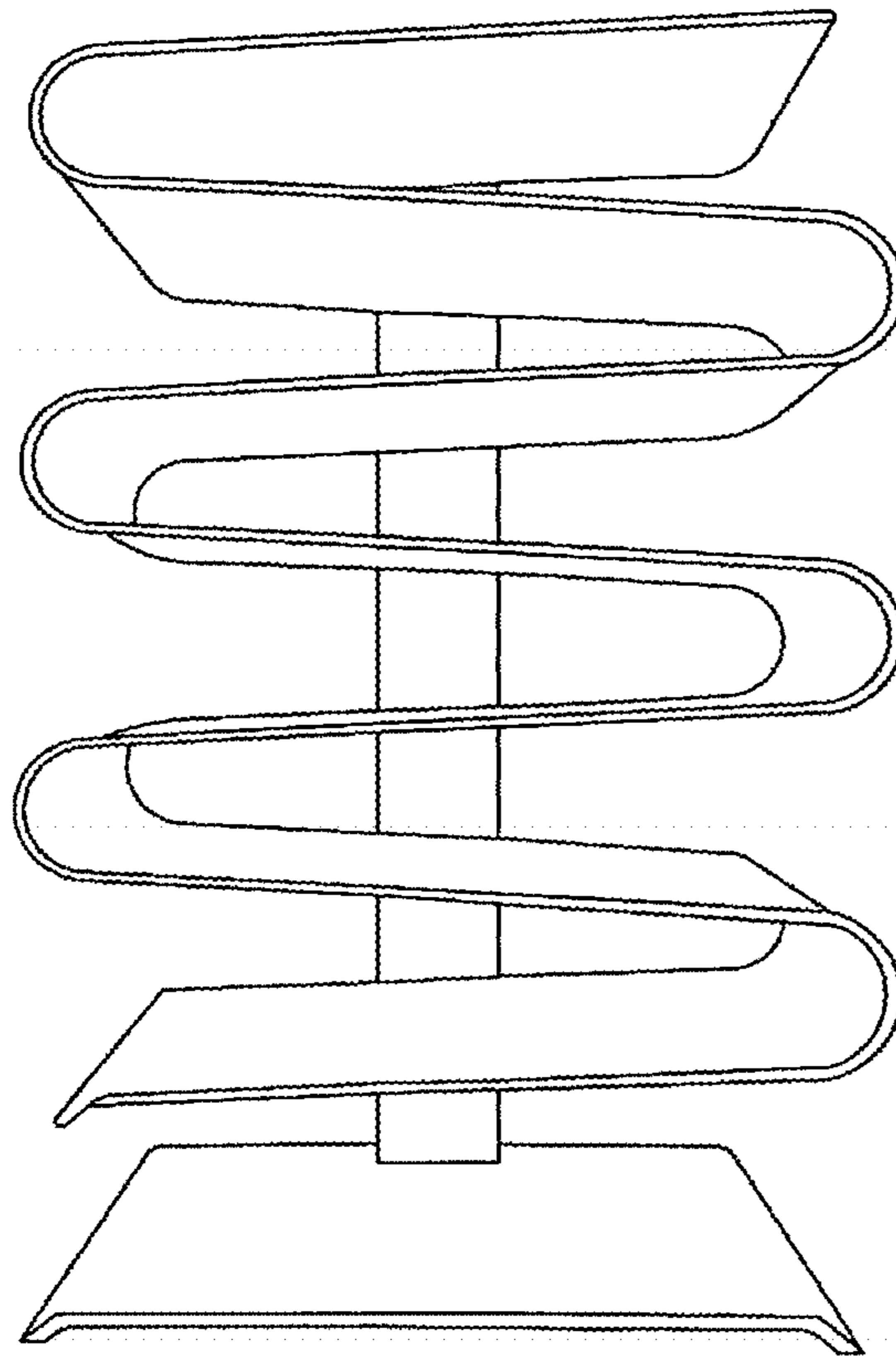


FIG. 4

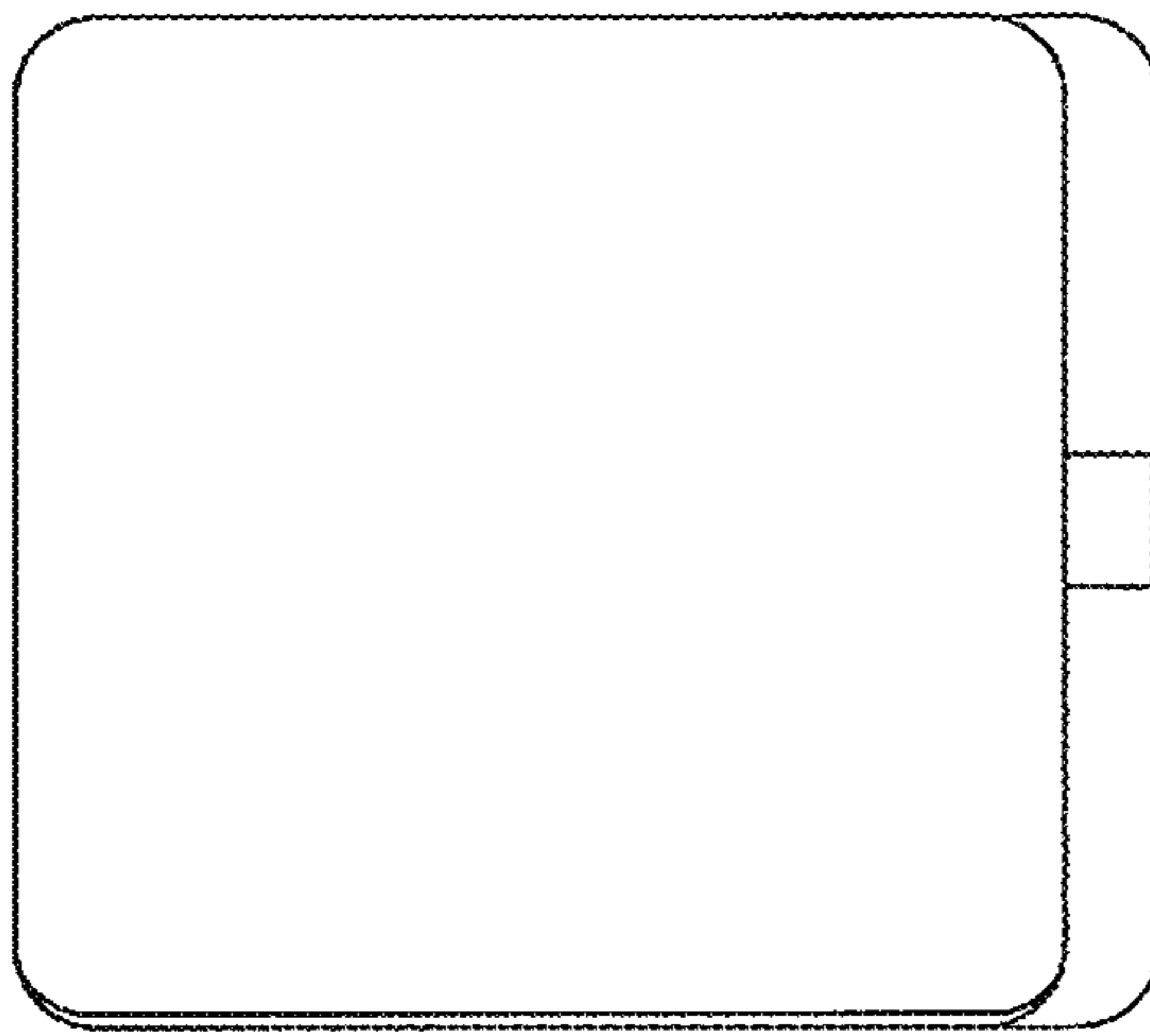


FIG. 5

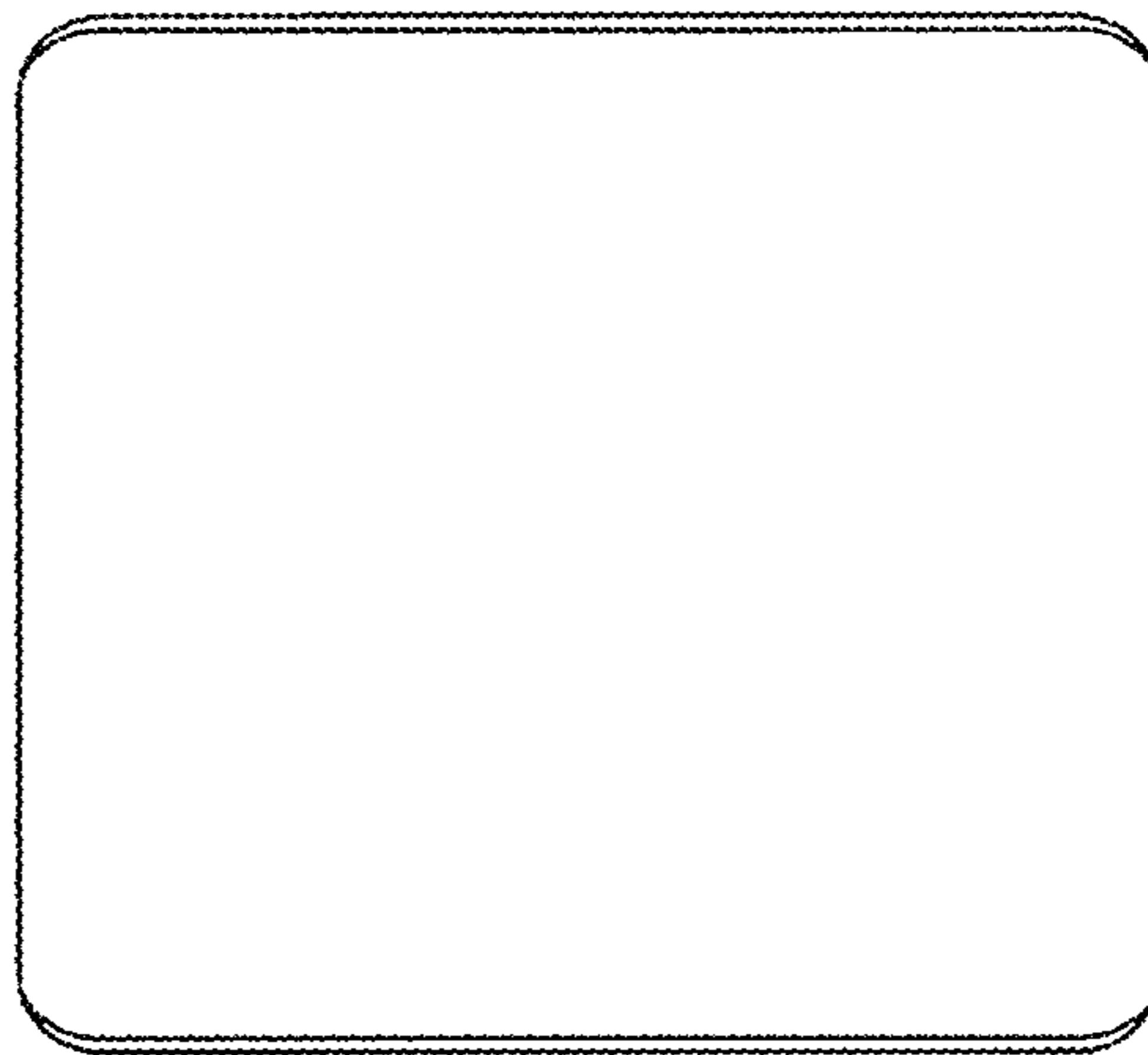


FIG. 6

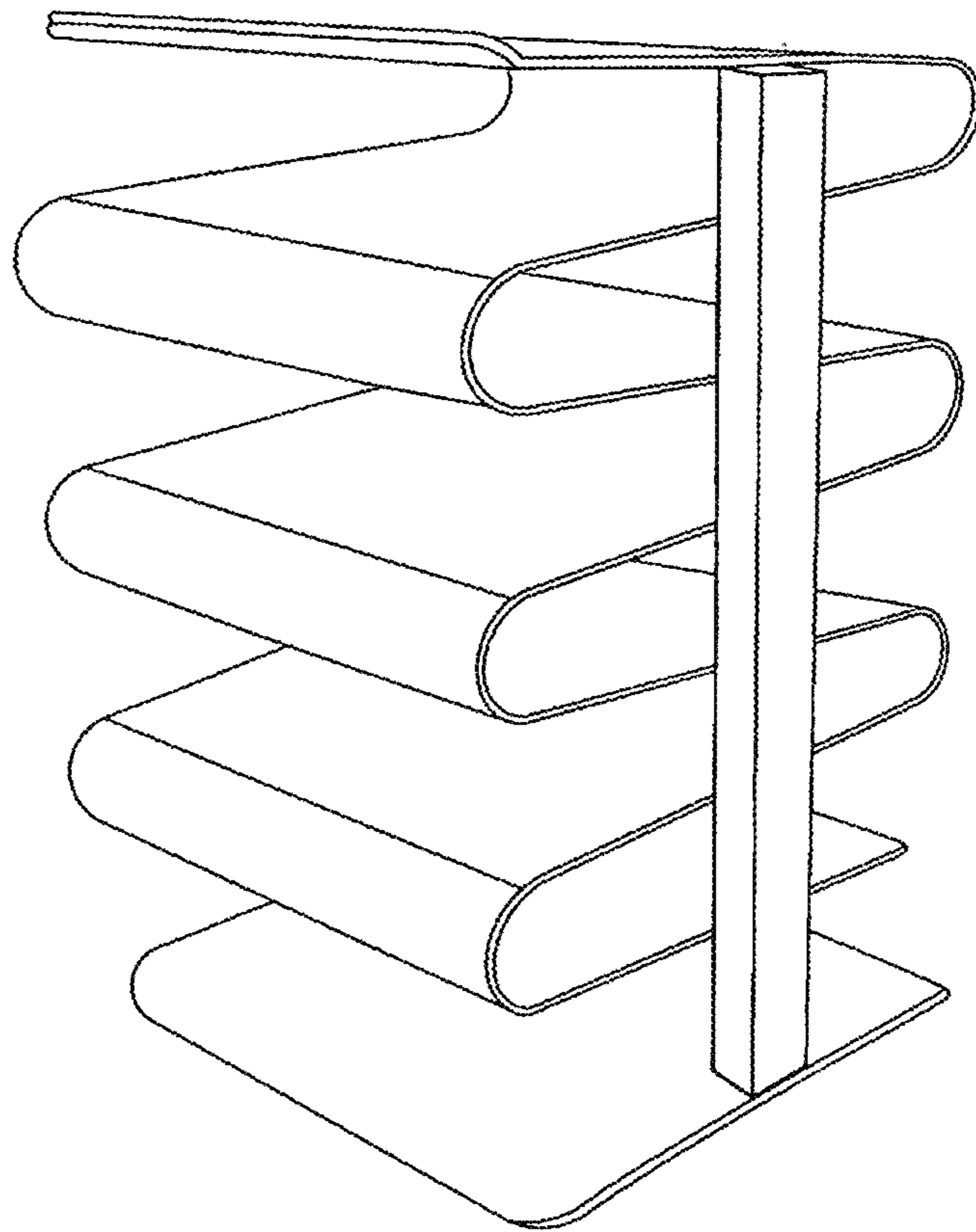


FIG. 7