



US00D880906S

(12) **United States Design Patent** (10) **Patent No.:** **US D880,906 S**
Leng (45) **Date of Patent:** **** Apr. 14, 2020**

(54) **CABINET**

H02B 1/013; H02B 1/013014; H02B 1/013308; Y10T 428/4694

(71) Applicant: **NEW-TEC INTEGRATION (XIAMEN) CO., LTD.**, Xiamen, Fujian (CN)

See application file for complete search history.

(72) Inventor: **Luhao Leng**, Fujian (CN)

(56) **References Cited**

(73) Assignee: **NEW-TEC INTEGRATION (XIAMEN) CO., LTD.**, Xiamen (CN)

U.S. PATENT DOCUMENTS

(**) Term: **15 Years**

- D176,404 S * 12/1955 Carr D6/671.1
- 2,730,423 A * 1/1956 Mock A47B 88/57
16/82
- D286,714 S * 11/1986 Verholt D6/671.1
- D393,762 S * 4/1998 Khajavi D6/671.1
- D413,030 S * 8/1999 Wanek D6/671.1
- D441,221 S * 5/2001 O'Hare D6/671.1
- D448,586 S * 10/2001 O'Hare D6/668.2
- D451,700 S * 12/2001 Vaaler D6/671.1

(21) Appl. No.: **29/639,910**

(22) Filed: **Mar. 9, 2018**

(Continued)

(30) **Foreign Application Priority Data**

FOREIGN PATENT DOCUMENTS

Sep. 29, 2017 (CN) 2017 3 0469887

WO WO-2008089598 A1 * 7/2008 A47B 47/042

(51) **LOC (12) Cl.** **06-04**

Primary Examiner — Kevin K Rudzinski

(52) **U.S. Cl.**

Assistant Examiner — Paul D Bohannon

USPC **D6/663**

(74) *Attorney, Agent, or Firm* — Cooper Legal Group, LLC

(58) **Field of Classification Search**

USPC D6/574, 657, 659, 660, 661, 662, 662.1, D6/663, 671, 671.1–671.4, 672, 675, D6/675.1, 675.2, 675.5, 678, 678.1, D6/678.4, 679, 680.2, 683, 683.1, 703, D6/705.5

(57) **CLAIM**

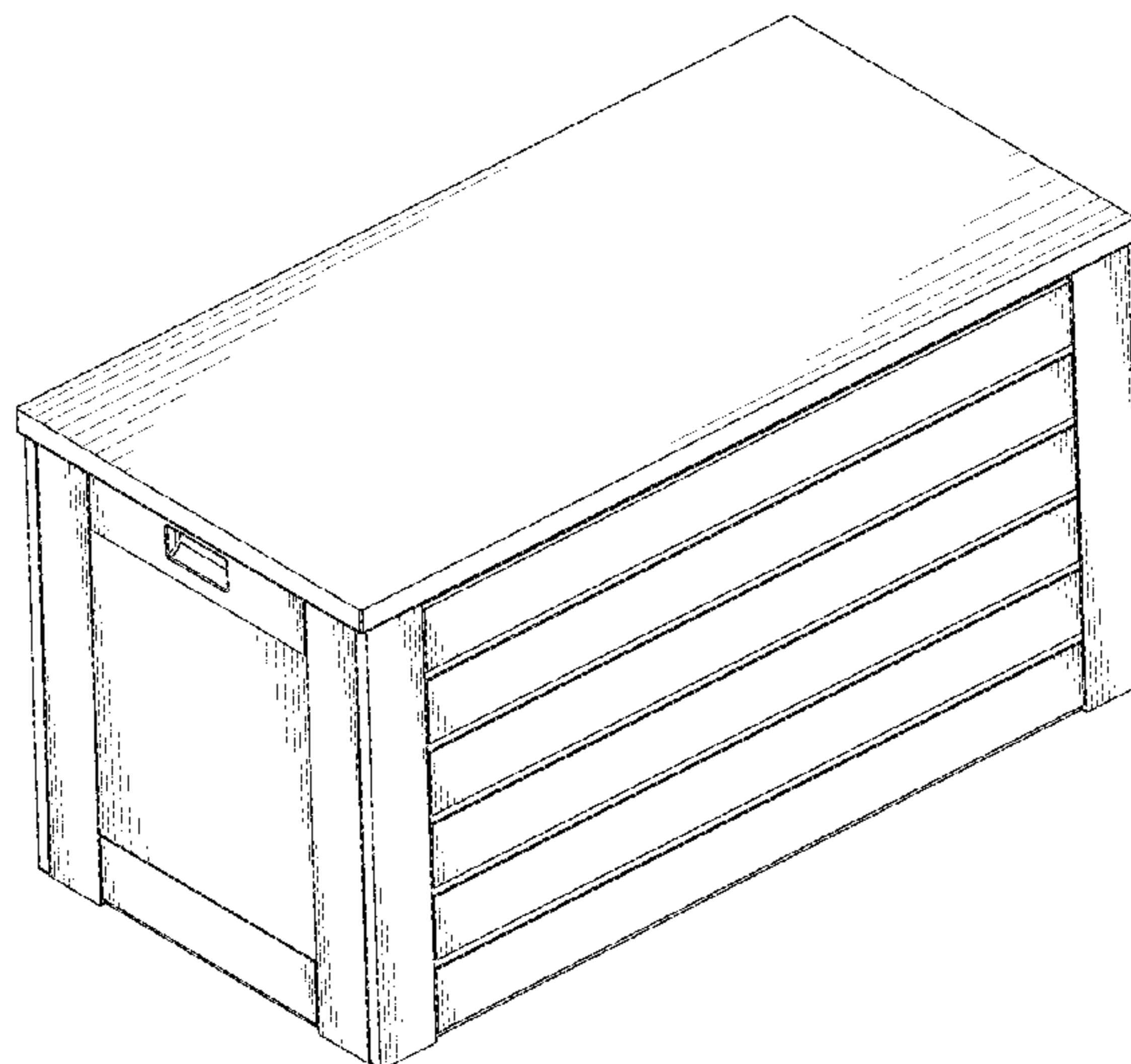
The ornamental design for a cabinet, as shown.

CPC A47B 43/00; A47B 46/00; A47B 47/04; A47B 47/05; A47B 47/024; A47B 47/042; A47B 49/006; A47B 67/04; A47B 81/002; A47B 87/00; A47B 87/002; A47B 87/008; A47B 87/0215; A47B 88/00; A47B 88/48; A47B 88/57; A47B 88/75; A47B 88/90; A47B 88/427; A47B 88/941; A47B 96/02; A47B 96/022; A47B 2210/19; A24F 25/02; A47F 3/0413; A47F 5/116; A47F 5/0018; A47F 7/02; A47F 9/00; B22F 3/1055; A01K 15/025; A47K 3/281; E05B 17/2034; E05B 65/463; E06B 3/7001; F25D 21/14; F25D 23/069; F25D 2400/10; G09B 25/00;

DESCRIPTION

FIG. 1. is a front view of a cabinet showing my new design thereof;
FIG. 2. is a rear view thereof;
FIG. 3. is a left side view thereof;
FIG. 4. is a right side view thereof;
FIG. 5. is a top plan view thereof;
FIG. 6. is a bottom plan view thereof; and,
FIG. 7. is a perspective view thereof.
The broken lines shown in the drawings are for the purpose of illustrating portions of the article and form no part of the claimed design.

1 Claim, 7 Drawing Sheets



(56)

References Cited

U.S. PATENT DOCUMENTS

D534,738	S	*	1/2007	Domack	D6/671.1
D574,629	S	*	8/2008	Kalkwarf	D6/671.1
D588,834	S	*	3/2009	Holt	D6/671.1
D649,376	S	*	11/2011	Borgonovo	D6/671.1
D665,596	S	*	8/2012	Shawcross	D6/663
9,068,378	B2	*	6/2015	Milani	E05B 43/00
D733,470	S	*	7/2015	Troyner	D6/671.1
D741,624	S	*	10/2015	Freimuth	D6/671.1
D770,815	S	*	11/2016	Jackson	D6/671.1
D792,132	S	*	7/2017	Peota	D6/675
D807,084	S	*	1/2018	Waldner	D6/671.1
D807,670	S	*	1/2018	Dawson, Jr.	D6/671.1
2015/0376917	A1	*	12/2015	Brunner	E05B 65/463 312/108

* cited by examiner

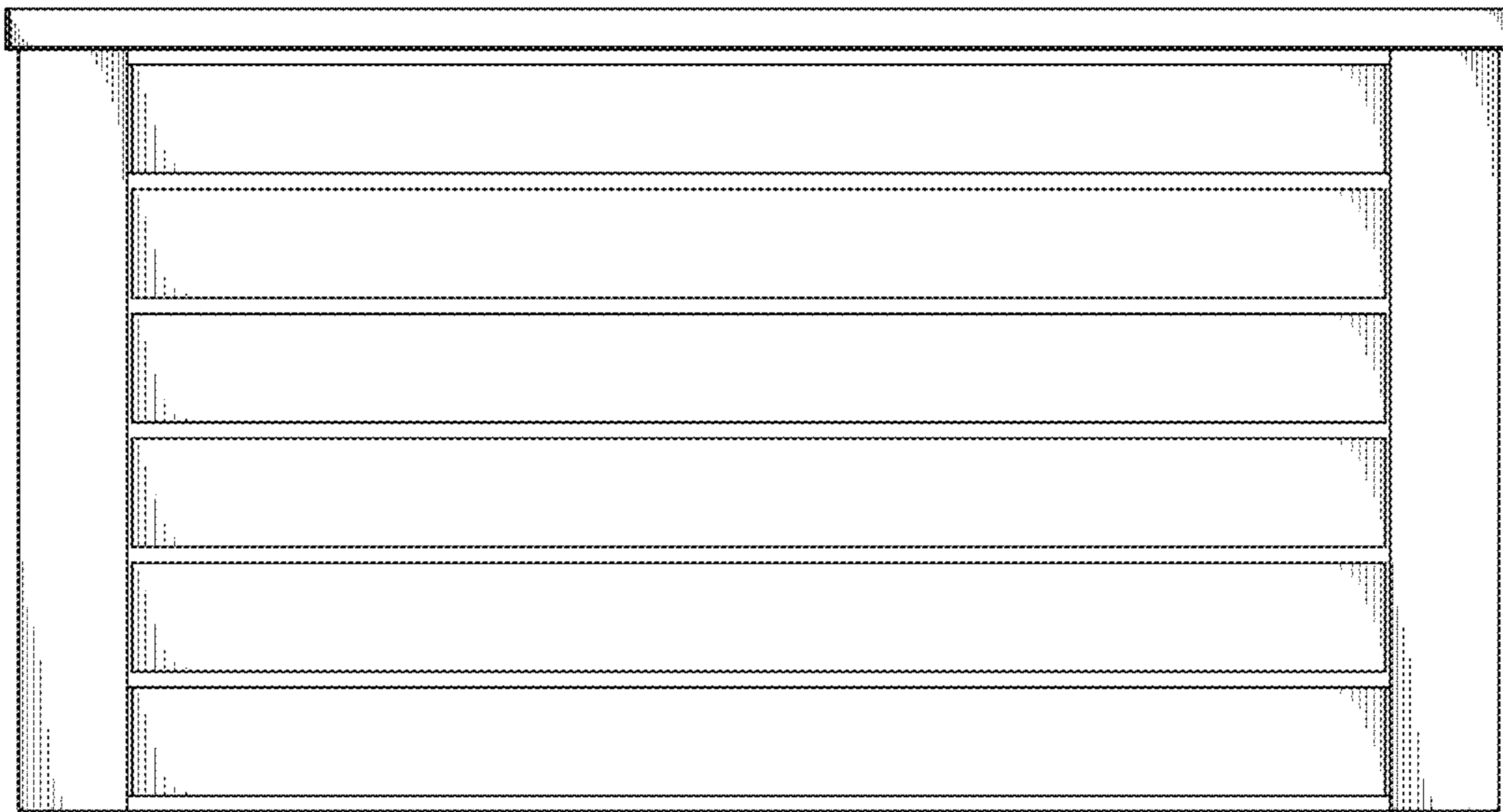


Fig. 1

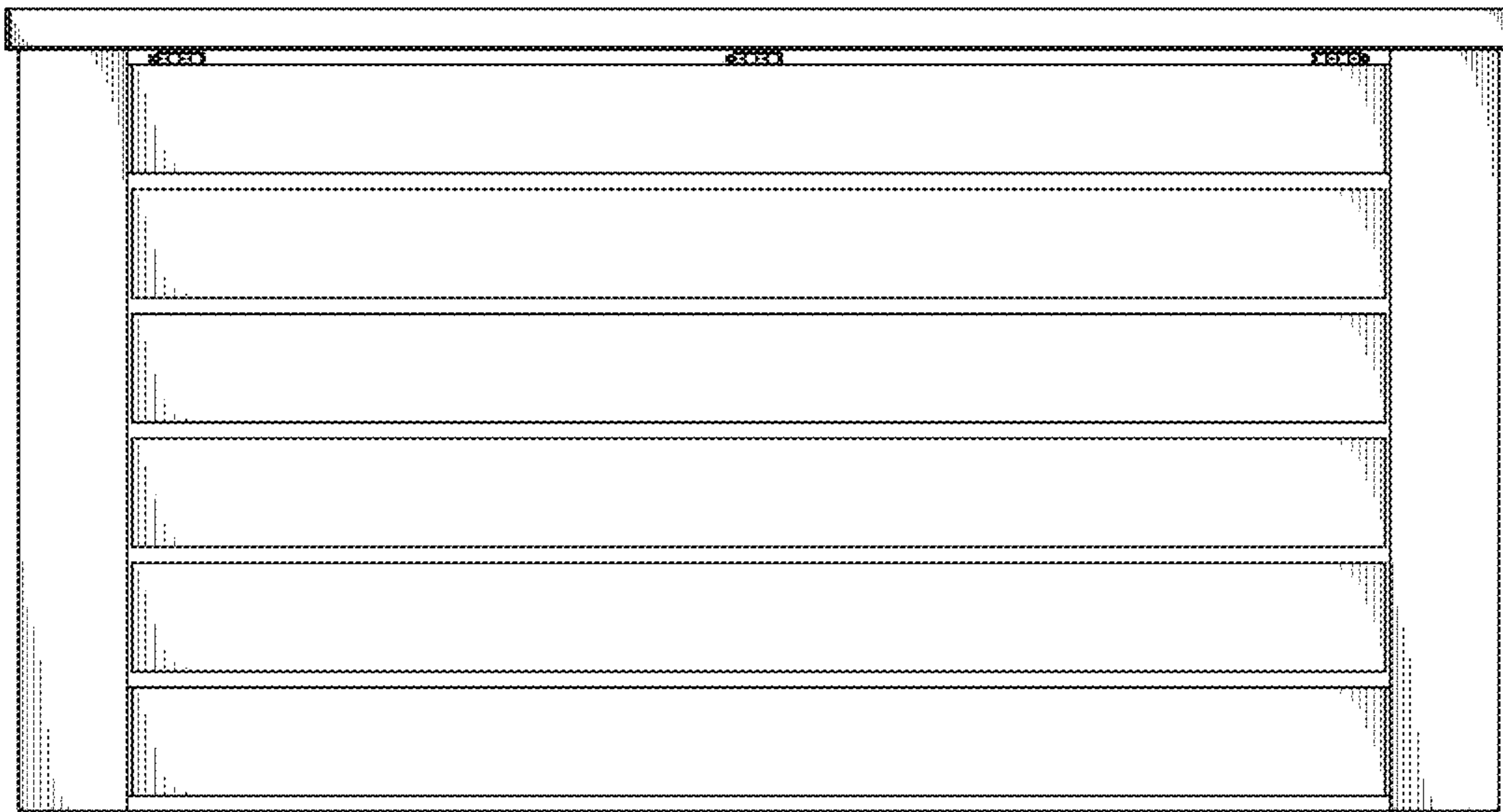


Fig. 2

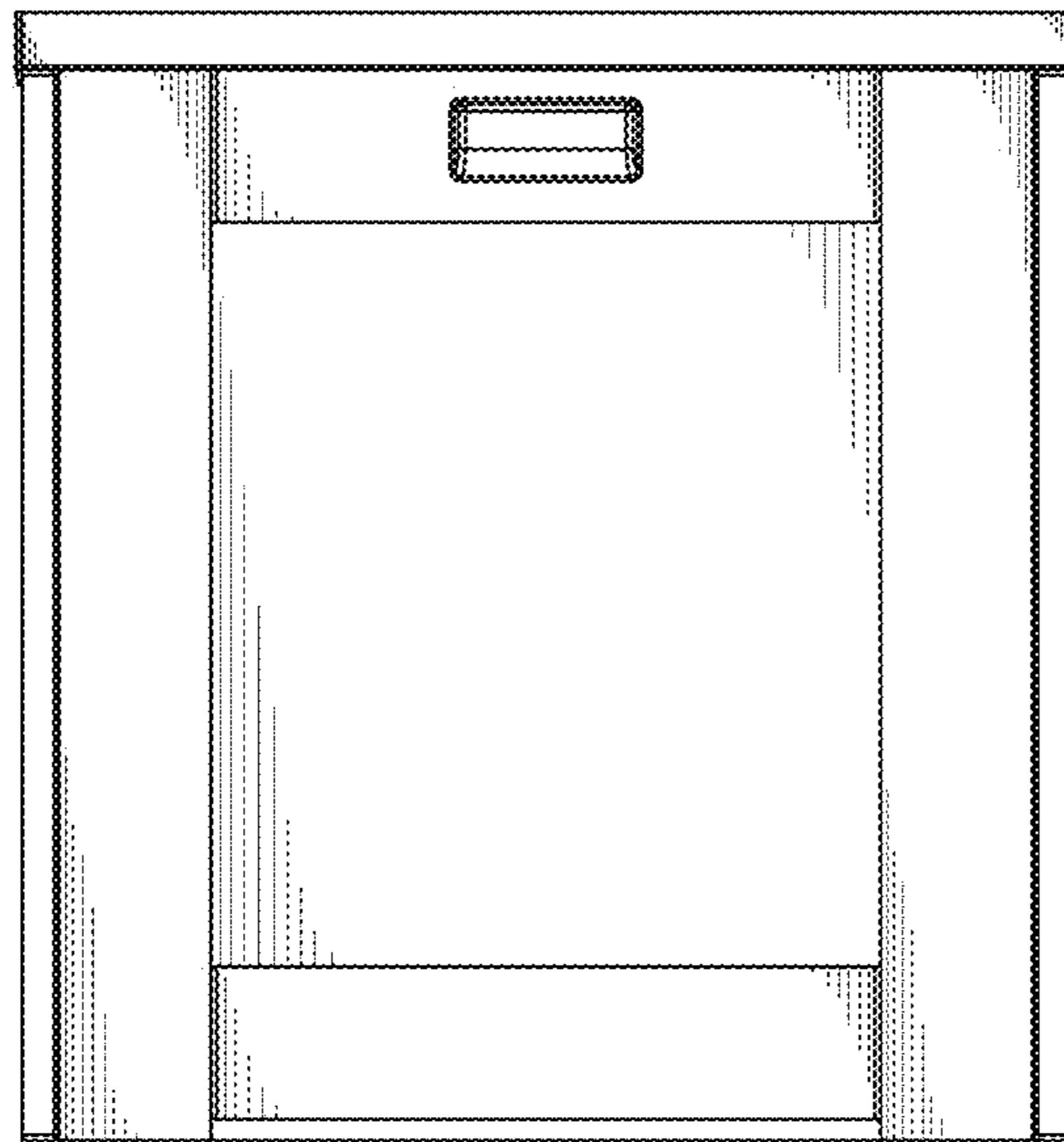


Fig. 3

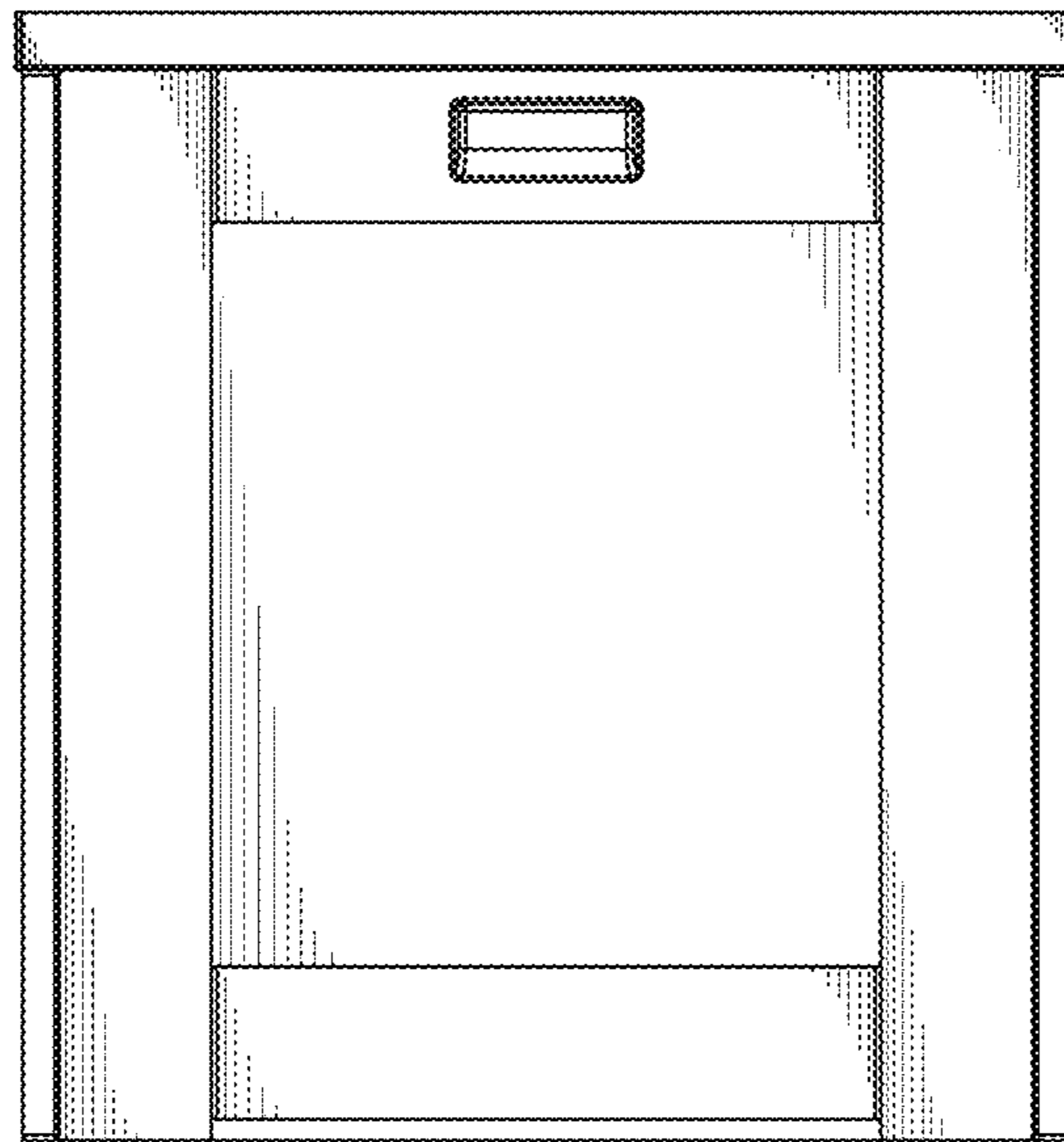


Fig. 4

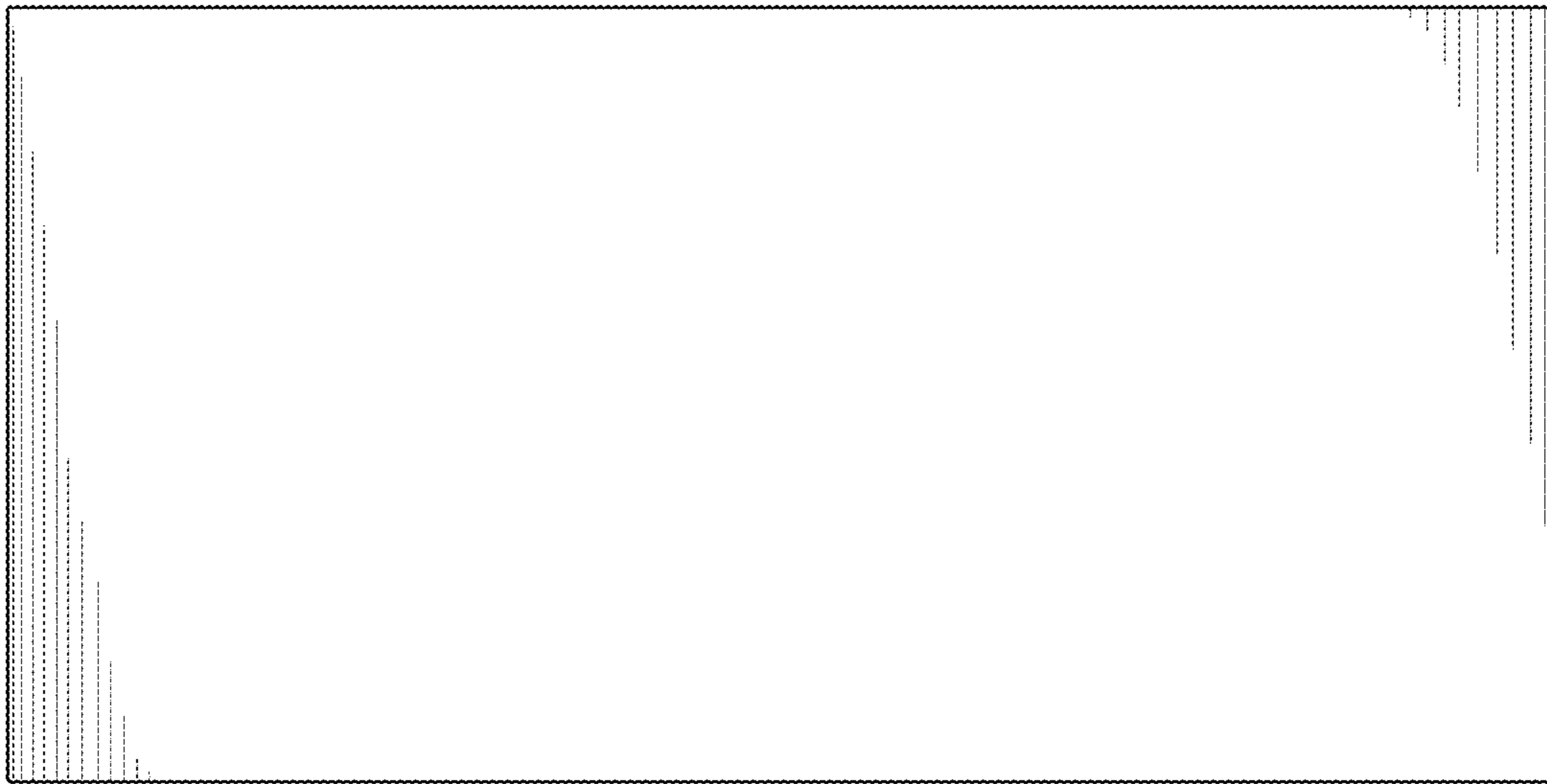


Fig. 5

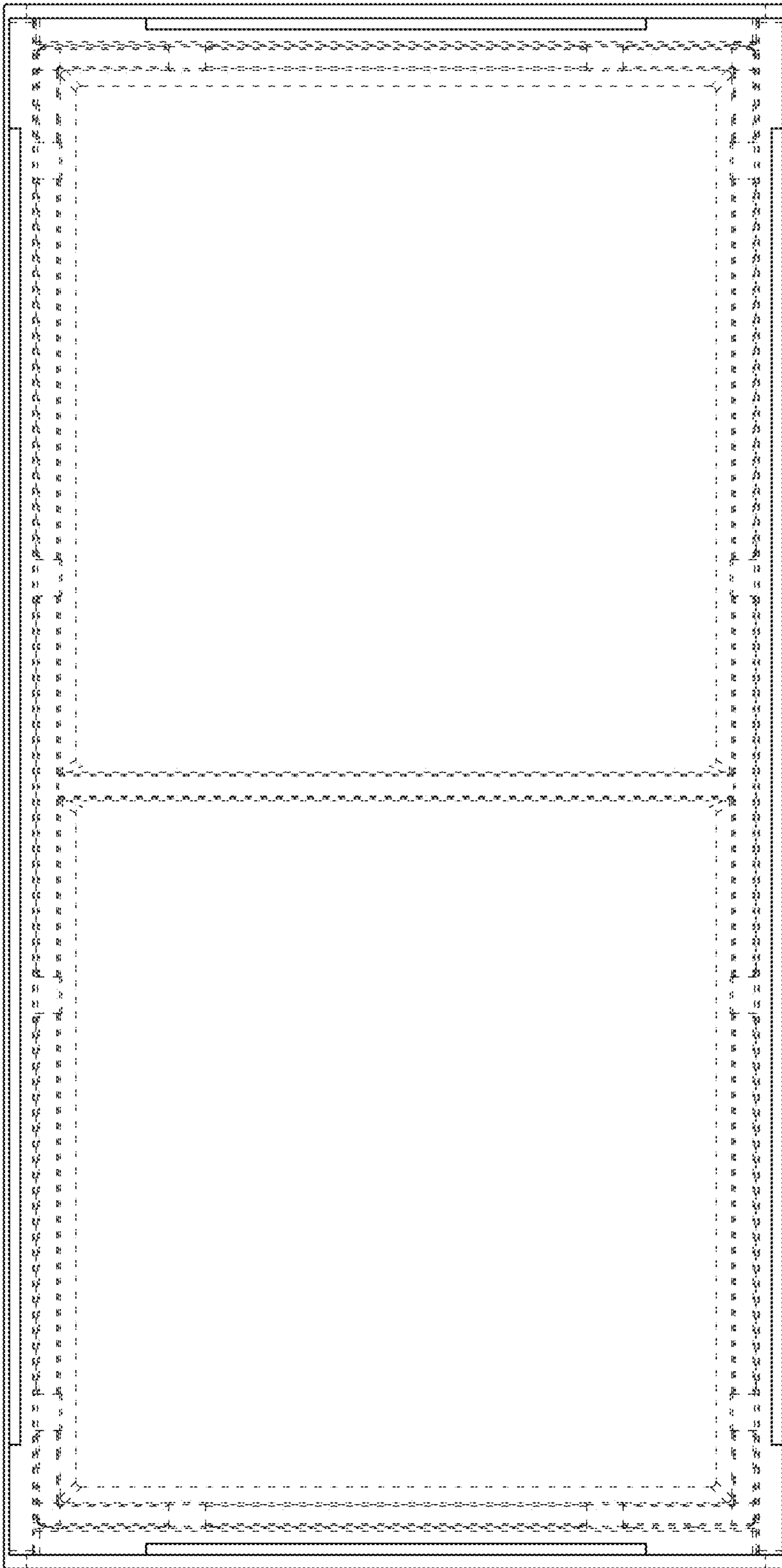


FIG. 6

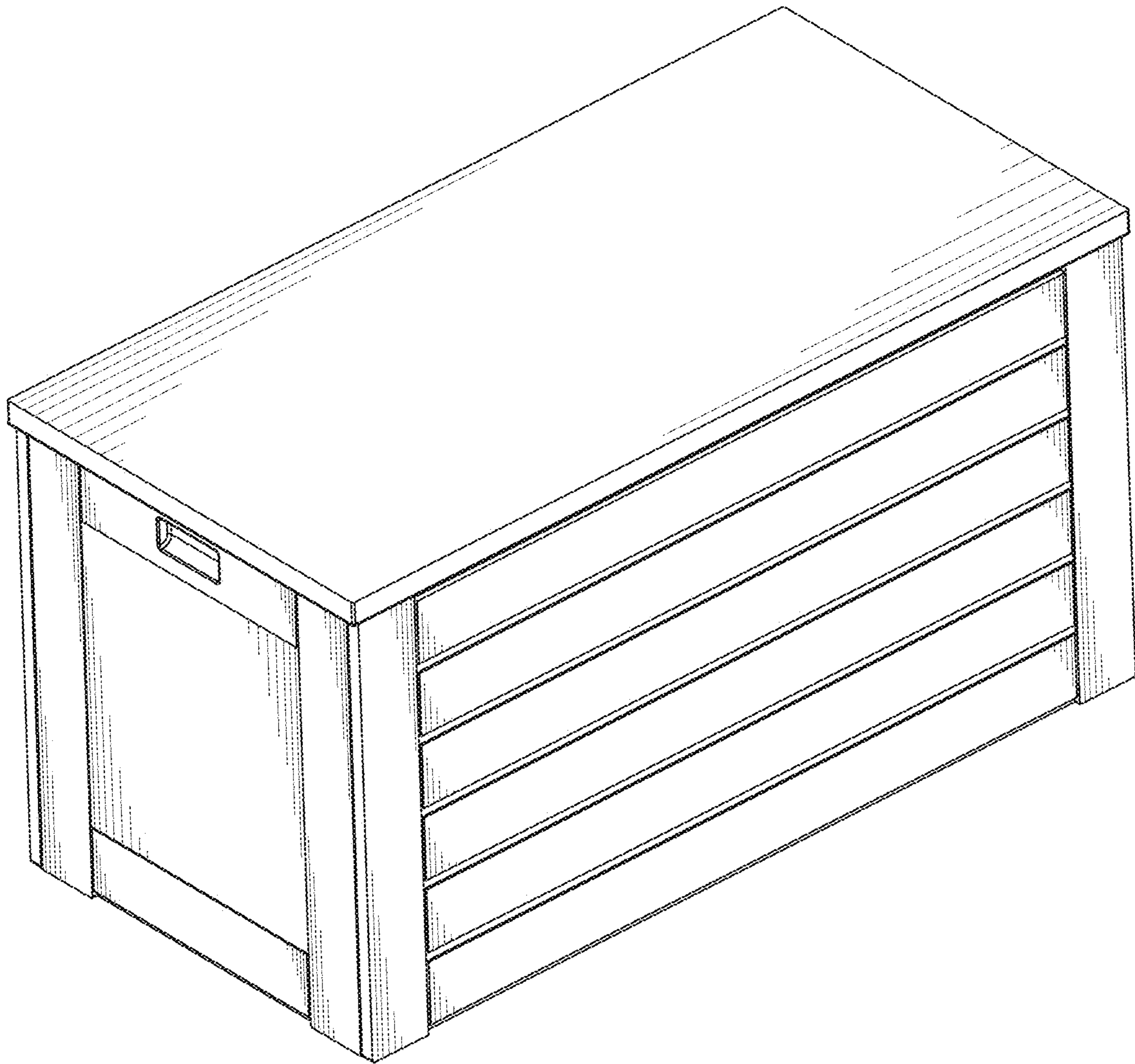


Fig. 7