



US00D880899S

(12) **United States Design Patent**
Lopez

(10) **Patent No.:** **US D880,899 S**

(45) **Date of Patent:** **** Apr. 14, 2020**

- (54) **SHOWER MAT**
- (71) Applicant: **Vive Health LLC**, Naples, FL (US)
- (72) Inventor: **Juan Lopez**, Naples, FL (US)
- (73) Assignee: **VIVE HEALTH LLC**, Naples, FL (US)
- (**) Term: **15 Years**

D605,449 S *	12/2009	Solomon	D6/582
D713,654 S *	9/2014	Robbins, III	D6/582
D799,759 S *	10/2017	Elliott	D30/161
D811,773 S *	3/2018	Yang	D6/582
D813,480 S *	3/2018	Burazin	D21J 1/00
			D32/40
D840,554 S *	2/2019	Mendes Silva Castro ..	D25/163
D844,119 S *	3/2019	Morales	D23/305
D857,253 S *	8/2019	Mussini	D25/163
2002/0114926 A1 *	8/2002	Malpass	A47G 27/0412
			428/156
2018/0125277 A1 *	5/2018	Sustar	A47G 27/0225

- (21) Appl. No.: **29/661,291**
- (22) Filed: **Aug. 27, 2018**
- (51) **LOC (12) Cl.** **06-11**
- (52) **U.S. Cl.**
USPC **D6/583**
- (58) **Field of Classification Search**
USPC D6/331, 333, 341, 342, 582-585, 588,
D6/589, 592, 596-598, 601, 604-606,
D6/707.18, 707.19, 718.27; D21/808;
D23/261; D24/200, 212-215; D25/163;
D32/40, 57
CPC A47D 13/063; A47D 15/003; A47D 5/006;
A47G 27/0212; A47G 27/0225; A47G
27/0231; A47G 27/0237; A47L 23/26;
A47L 23/266; A47K 7/026; A63B
21/4037; A63B 6/00
See application file for complete search history.

OTHER PUBLICATIONS

Non Slip Large Square Bath Mat for Bathtub sold on Amazon.com. Apr. 6, 2016. Accessed on Sep. 29, 2019.*
 U.S. Appl. No. 29/661,290, filed Aug. 27, 2018, Lopez.
 U.S. Appl. No. 29/704,386, filed Sep. 4, 2019, Lopez.
 U.S. Appl. No. 29/661,290, dated Oct. 4, 2019, Office Action.
 U.S. Appl. No. 29/704,386, dated Oct. 4, 2019, Office Action.

* cited by examiner

Primary Examiner — Kevin K Rudzinski
Assistant Examiner — Clare Ann Gannon
 (74) *Attorney, Agent, or Firm* — Workman Nydegger

(57) **CLAIM**

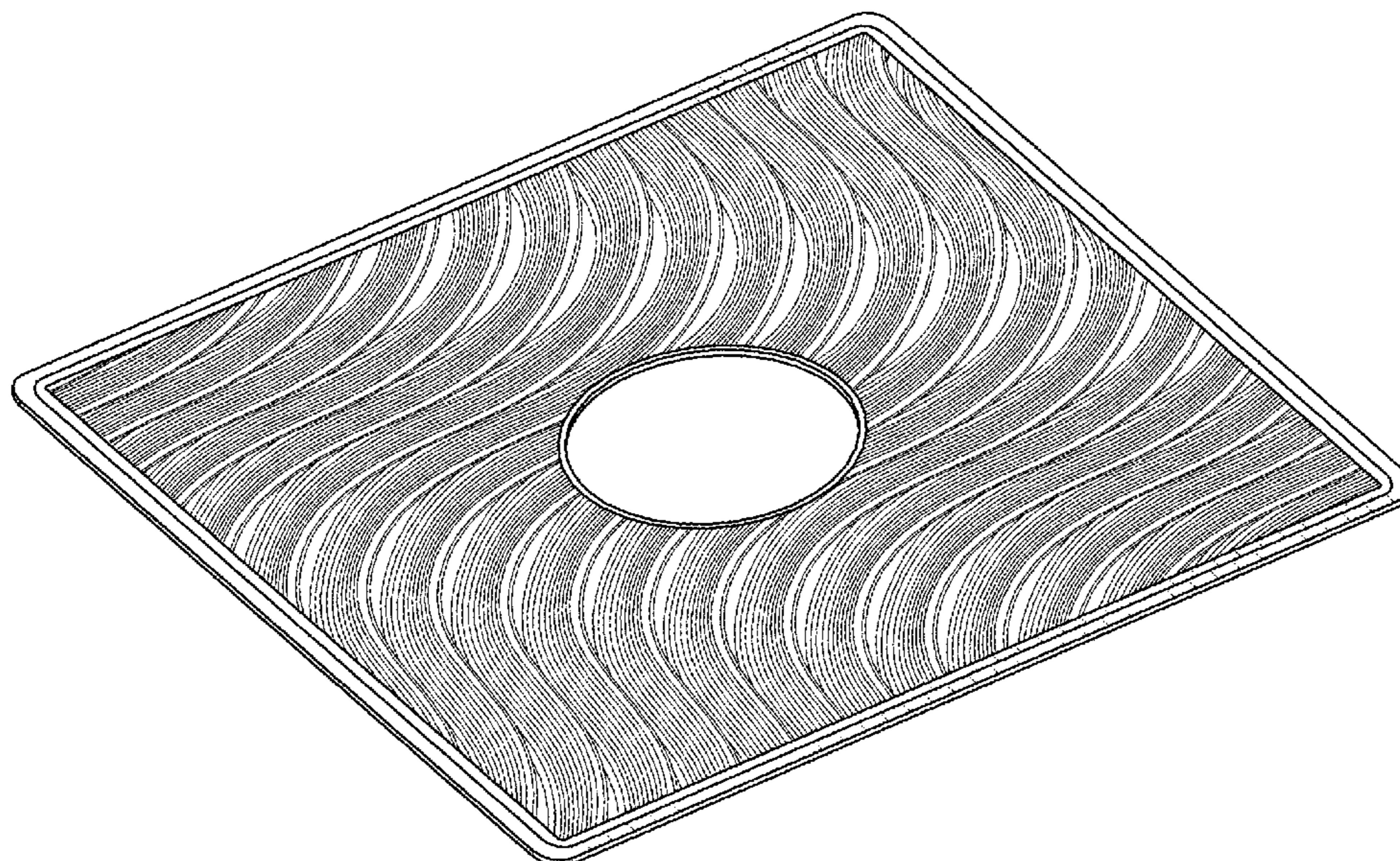
The ornamental design for a shower mat, as shown and described.

DESCRIPTION

FIG. 1 is a perspective view of a shower mat;
 FIG. 2 is a front view thereof;
 FIG. 3 is a rear view thereof;
 FIG. 4 is a top view thereof;
 FIG. 5 is a bottom view thereof;
 FIG. 6 is a right-side view thereof; and,
 FIG. 7 is a left side view thereof.

1 Claim, 4 Drawing Sheets

- (56) **References Cited**
U.S. PATENT DOCUMENTS
- 2,248,233 A * 7/1941 Heritage D21J 1/00
428/165
- D363,577 S * 10/1995 Brightbill D32/55
- D517,759 S * 3/2006 Dretzka A47G 27/0225
D32/57
- D531,326 S * 10/2006 Folliard A47G 27/0412
D25/163
- D579,128 S * 10/2008 Kaump D25/163



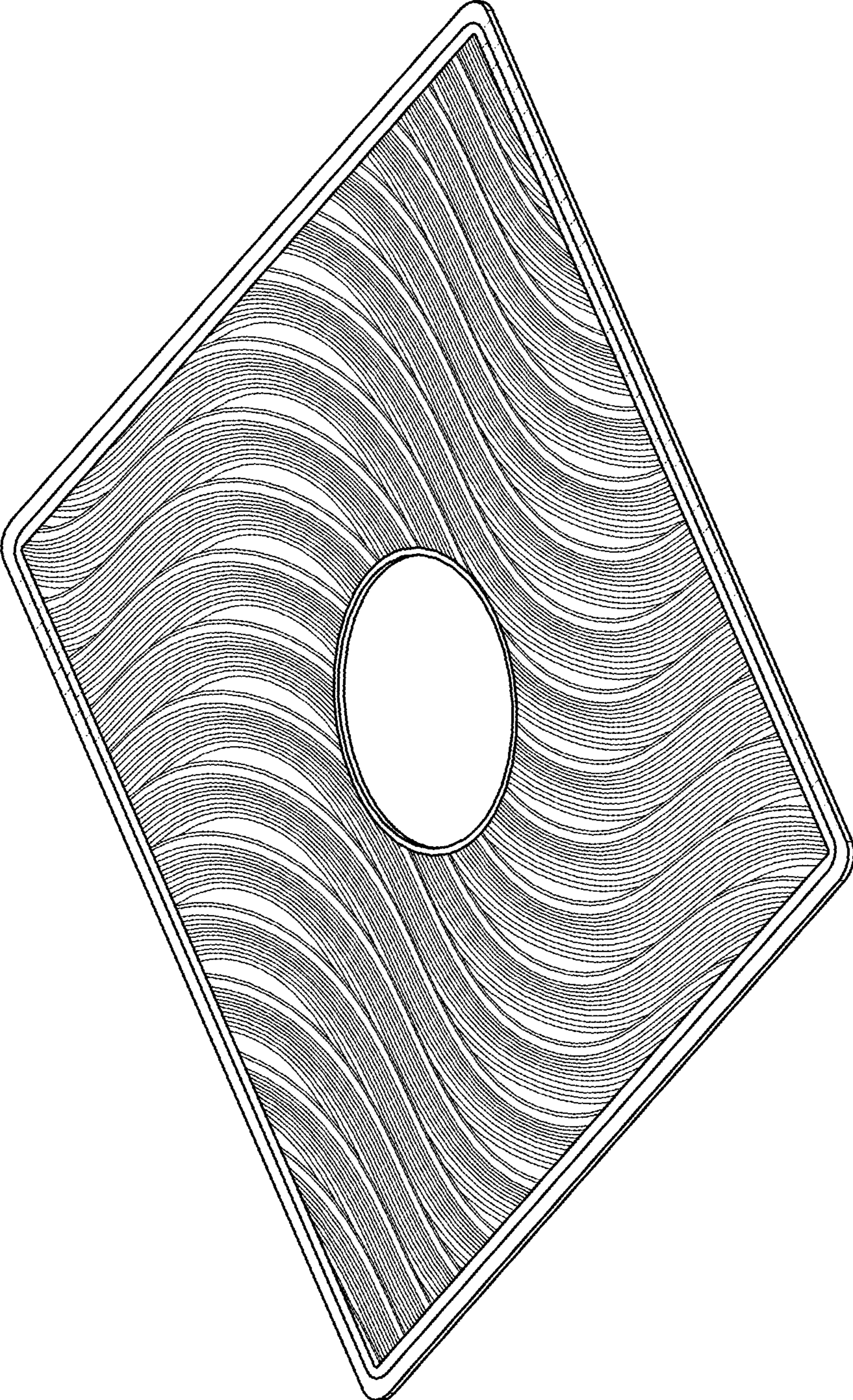


FIG. 1

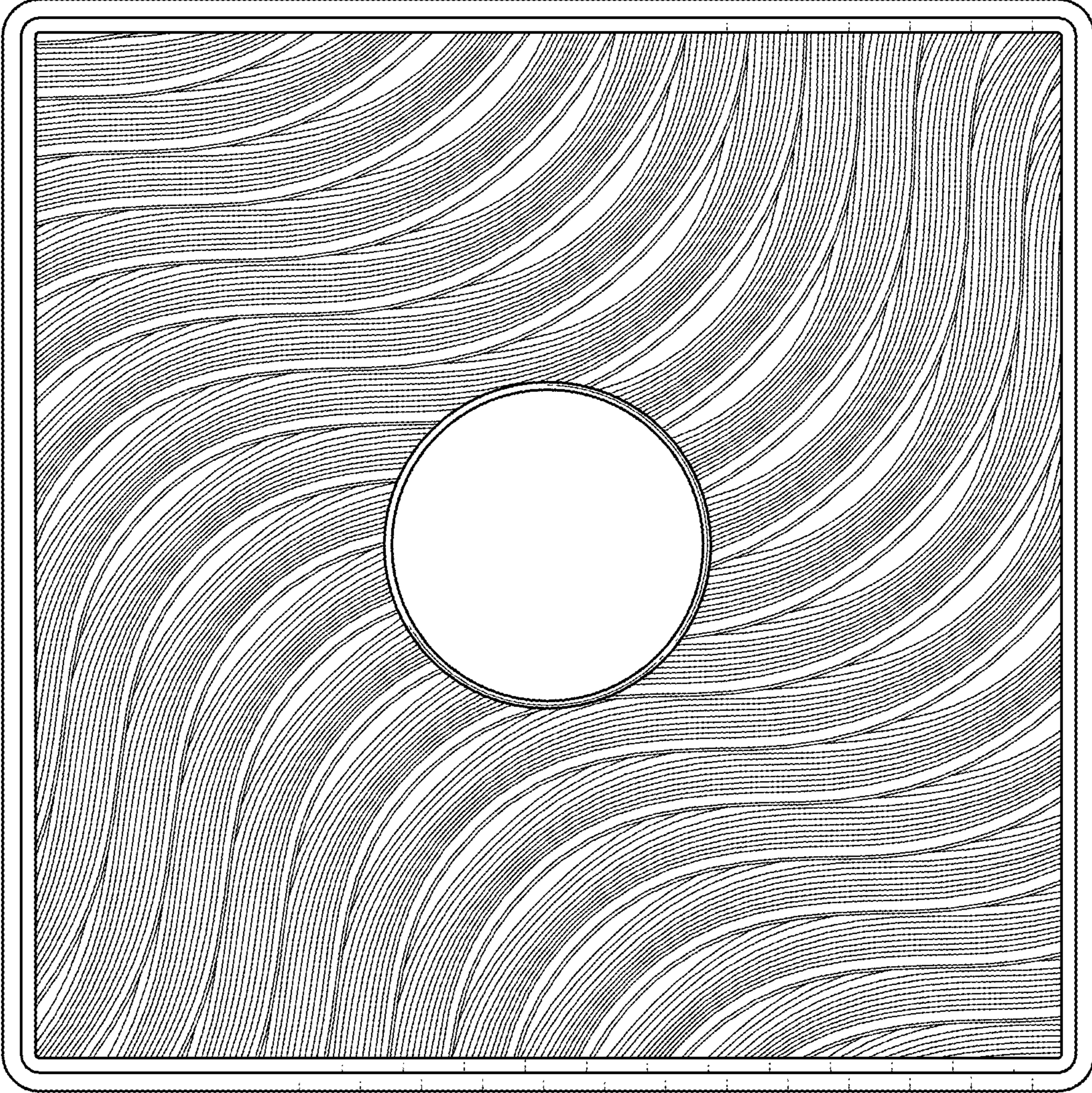


FIG. 2

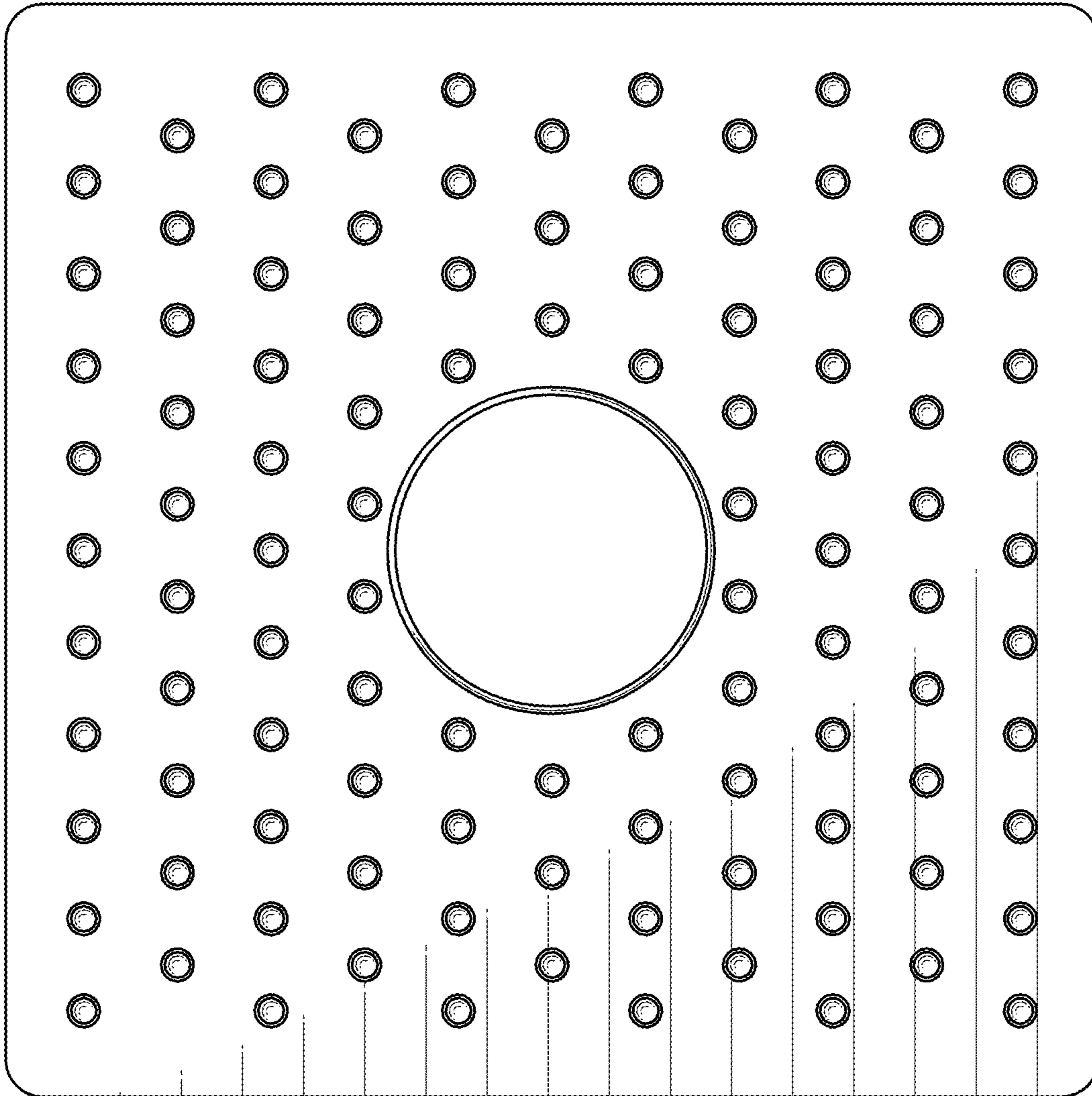


FIG. 3



FIG. 4



FIG. 5



FIG. 6



FIG. 7

UNITED STATES PATENT AND TRADEMARK OFFICE
CERTIFICATE OF CORRECTION

PATENT NO. : D880,899 S
APPLICATION NO. : 29/661291
DATED : April 14, 2020
INVENTOR(S) : Juan Lopez

Page 1 of 1

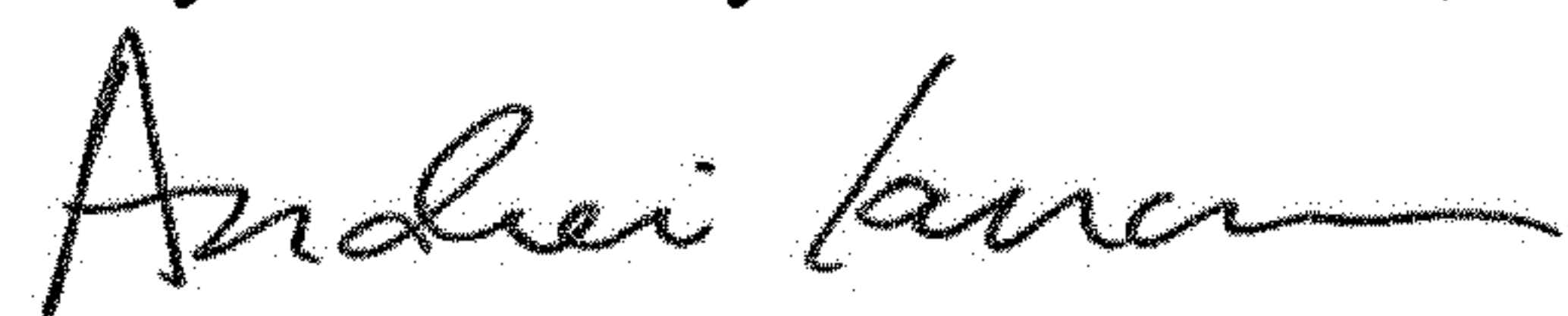
It is certified that error appears in the above-identified patent and that said Letters Patent is hereby corrected as shown below:

On the Title Page

Item (56), References Cited, Other Publications, add –U.S. Appl. No. 29/661,290, dated February 4, 2020, Notice of Allowance–

Item (56), References Cited, Other Publications, add –U.S. Appl. No 29/704,386, dated February 20, 2020, Notice of Allowance–

Signed and Sealed this
Twenty-fourth Day of November, 2020



Andrei Iancu
Director of the United States Patent and Trademark Office