



US00D880896S

(12) **United States Design Patent**
Wilson

(10) **Patent No.:** **US D880,896 S**
(45) **Date of Patent:** **** Apr. 14, 2020**

(54) **BASKET**

- (71) Applicant: **Spectrum Diversified Designs, LLC**, Streetsboro, OH (US)
- (72) Inventor: **Courtney K. Wilson**, Chardon, OH (US)
- (73) Assignee: **SPECTRUM DIVERSIFIED DESIGNS, LLC**, Streetsboro, OH (US)
- (**) Term: **15 Years**

(21) Appl. No.: **29/675,524**

(22) Filed: **Jan. 3, 2019**

(51) **LOC (12) Cl.** **06-04**

(52) **U.S. Cl.**
USPC **D6/566**

(58) **Field of Classification Search**
 USPC D6/525, 553, 524, 536, 540, 566;
 211/13.1, 74, 71.01, 86.01, 75, 126.1,
 211/133.5, 181.1, 134
 CPC A47K 17/00; A47K 3/281; A47K 3/001;
 B23P 17/04; A47B 57/265; A47B 57/565;
 A47B 57/26
 See application file for complete search history.

(56) **References Cited**

U.S. PATENT DOCUMENTS

D464,516 S	*	10/2002	Snell	D6/525
D612,648 S	*	3/2010	Guindi	D6/525
D637,850 S	*	5/2011	Ghiorghie	D3/306
D784,721 S	*	4/2017	Goodman	D6/525

OTHER PUBLICATIONS

Pegboard Basket With Paper Towel Holder | Spectrum Diversified web page, <https://www.spectrumdiversified.com/products/pegboard-basket-with-paper-towel-holder>, dated Jan. 7, 2019, 1 page.

* cited by examiner

Primary Examiner — Wan Laymon
Assistant Examiner — Mark Booker

(74) *Attorney, Agent, or Firm* — Tucker Ellis LLP

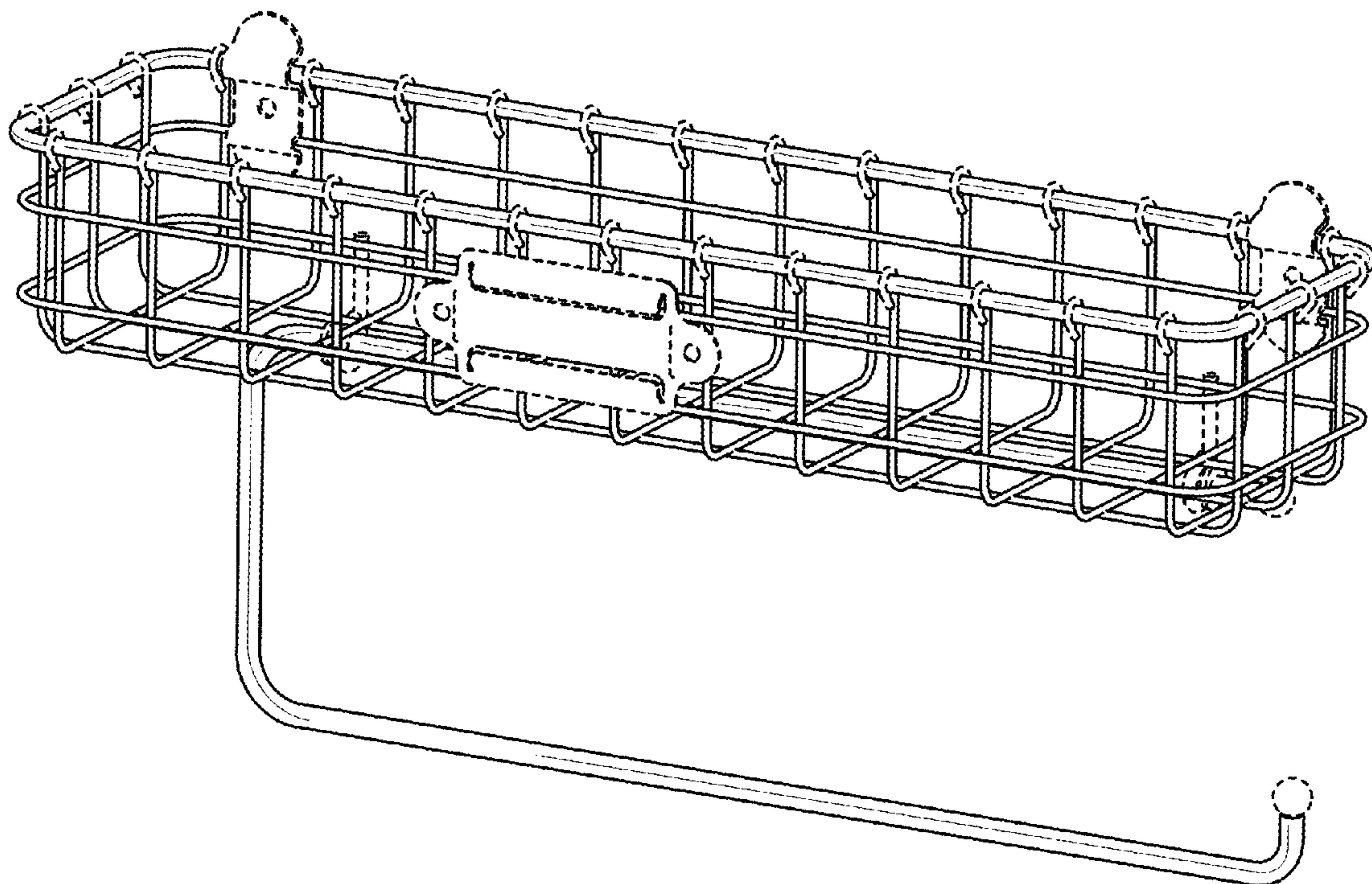
(57) **CLAIM**

The ornamental design for a basket, as shown and described.

DESCRIPTION

FIG. 1 is a perspective view of a basket showing my new design.
 FIG. 2 is a front view thereof.
 FIG. 3 is a rear view thereof.
 FIG. 4 is a left side view thereof.
 FIG. 5 is a right side view thereof.
 FIG. 6 is a top view thereof; and,
 FIG. 7 is a bottom view thereof.
 The broken lines show portions of the design that form no part of the claimed design.

1 Claim, 4 Drawing Sheets



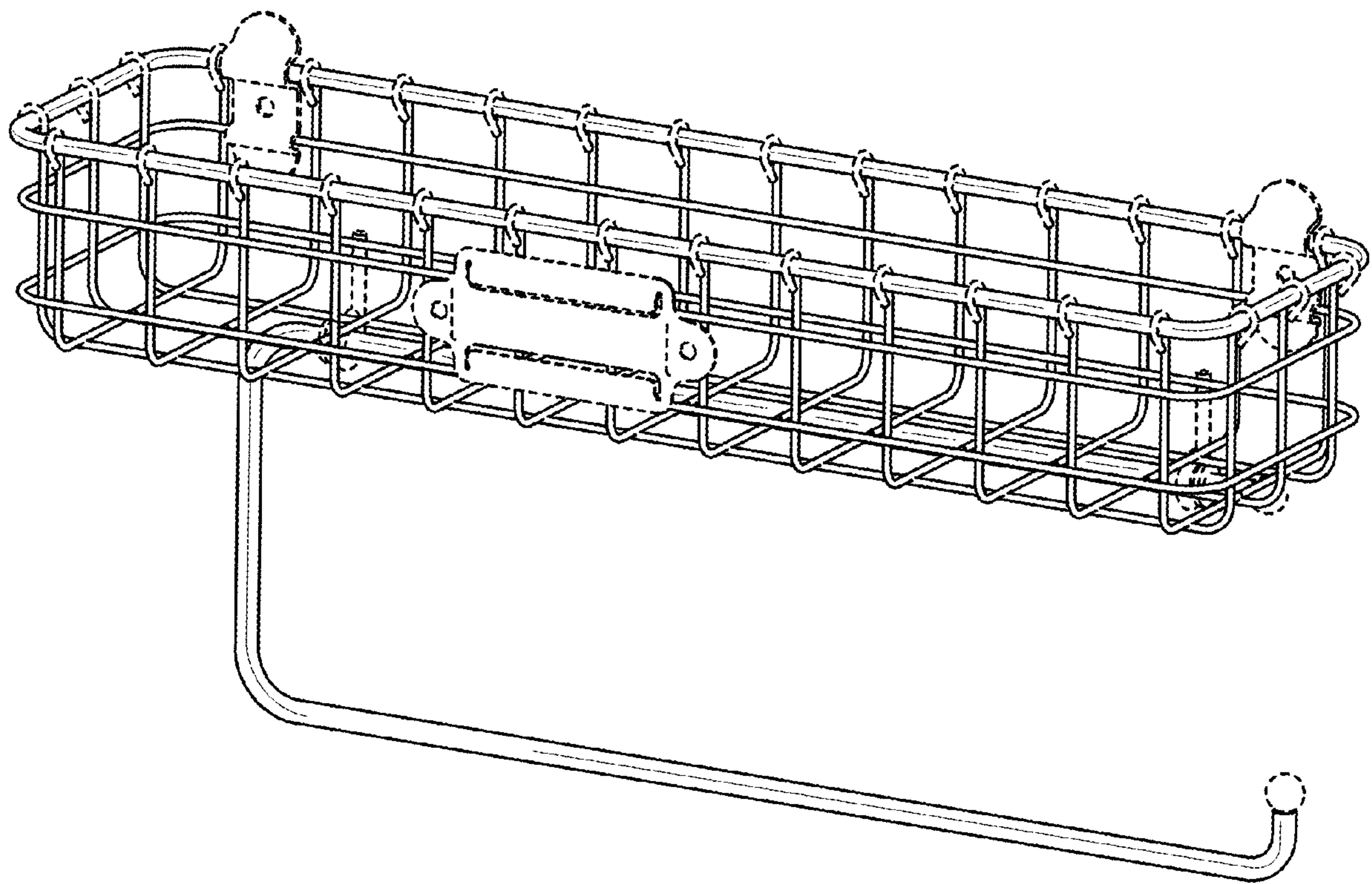


FIG. 1

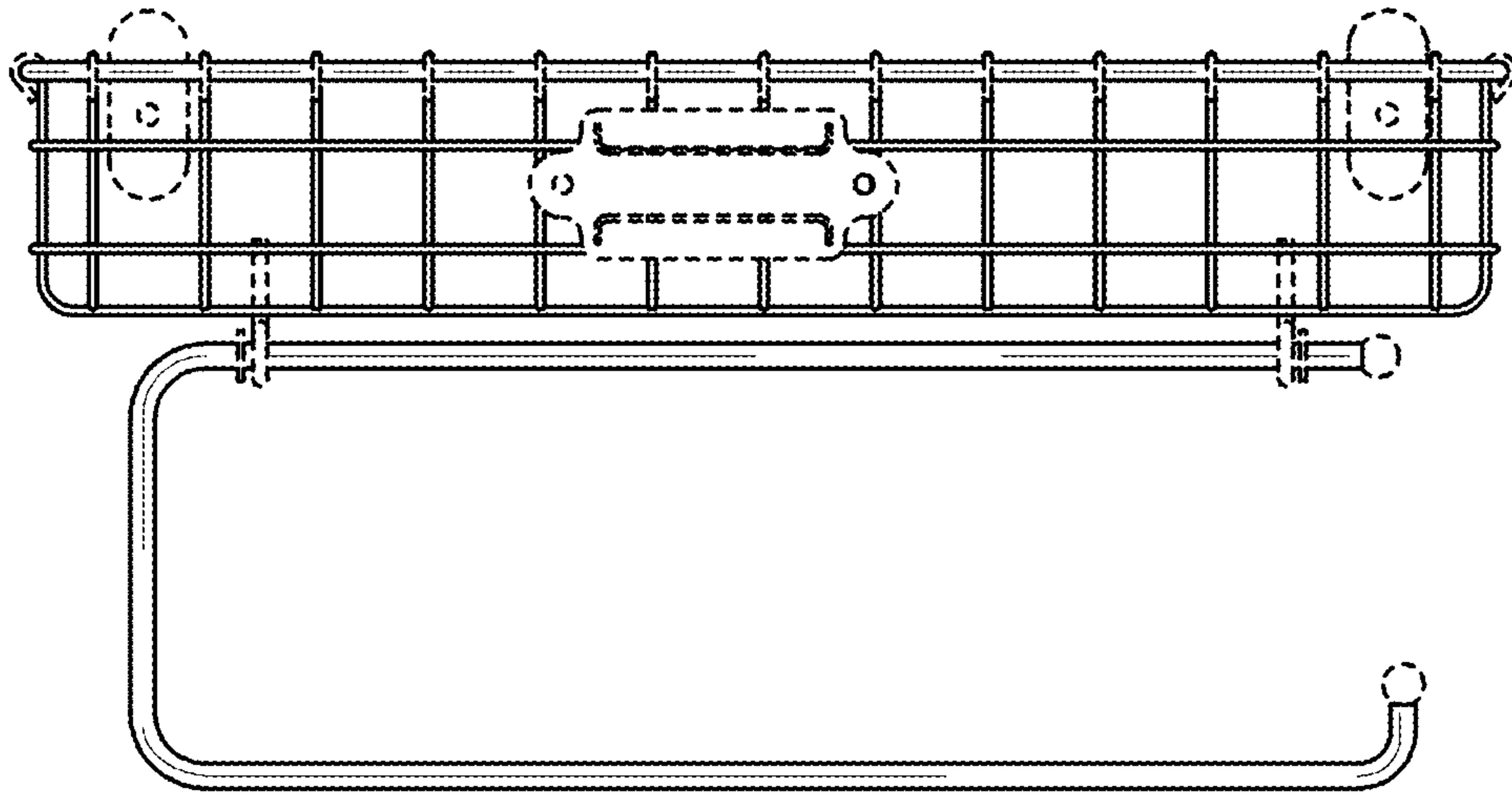


FIG. 2

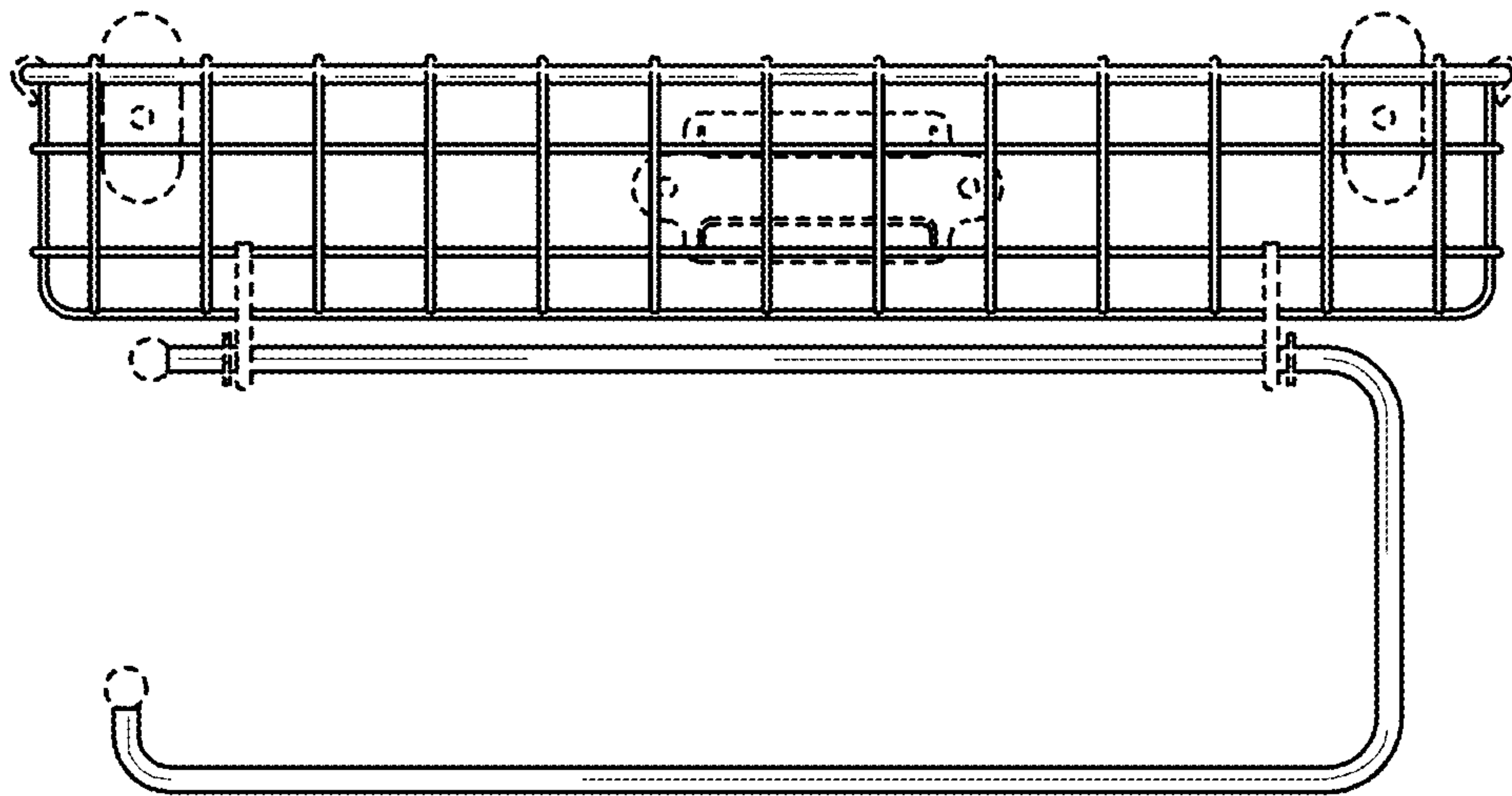


FIG. 3

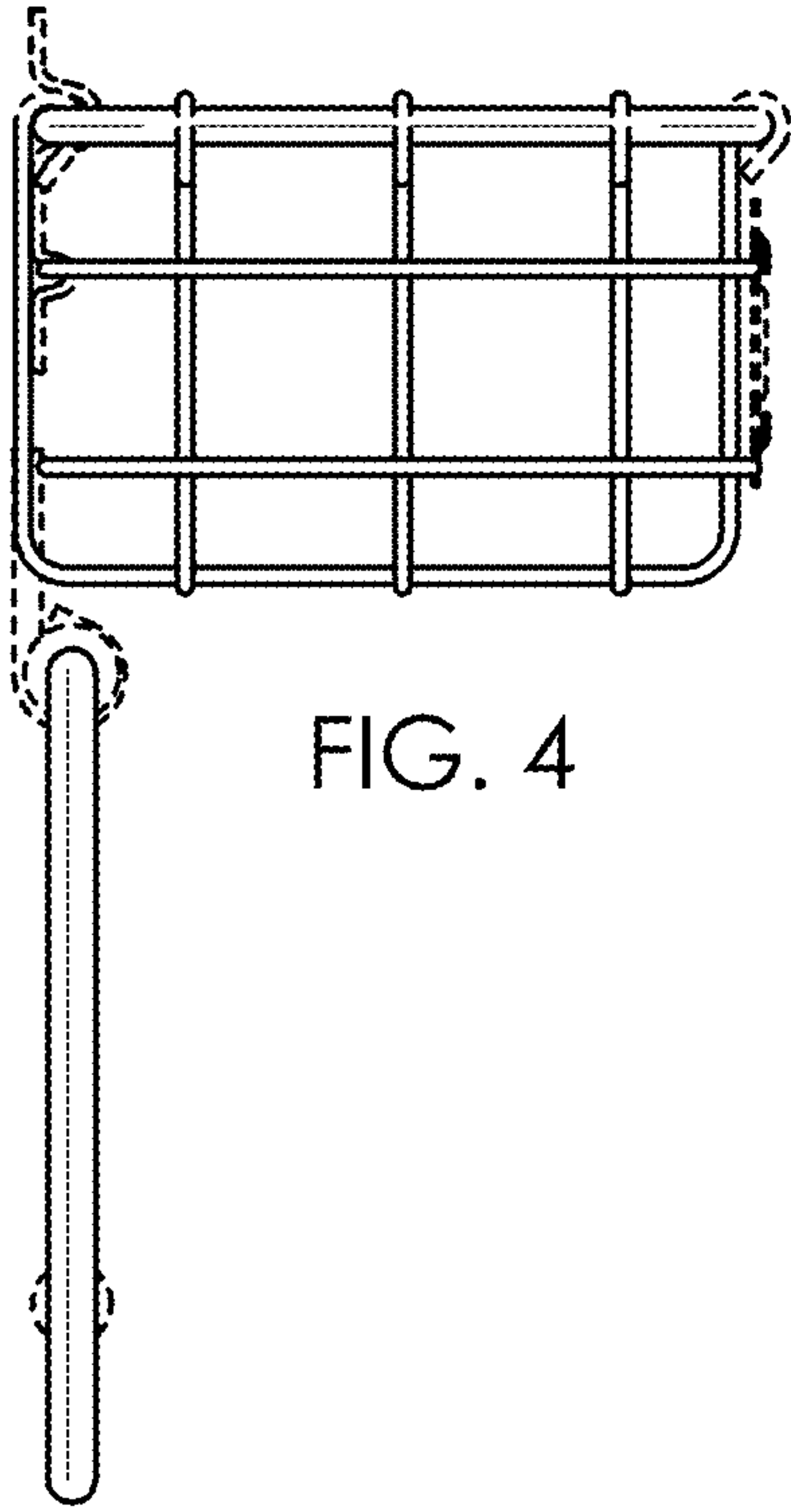


FIG. 4

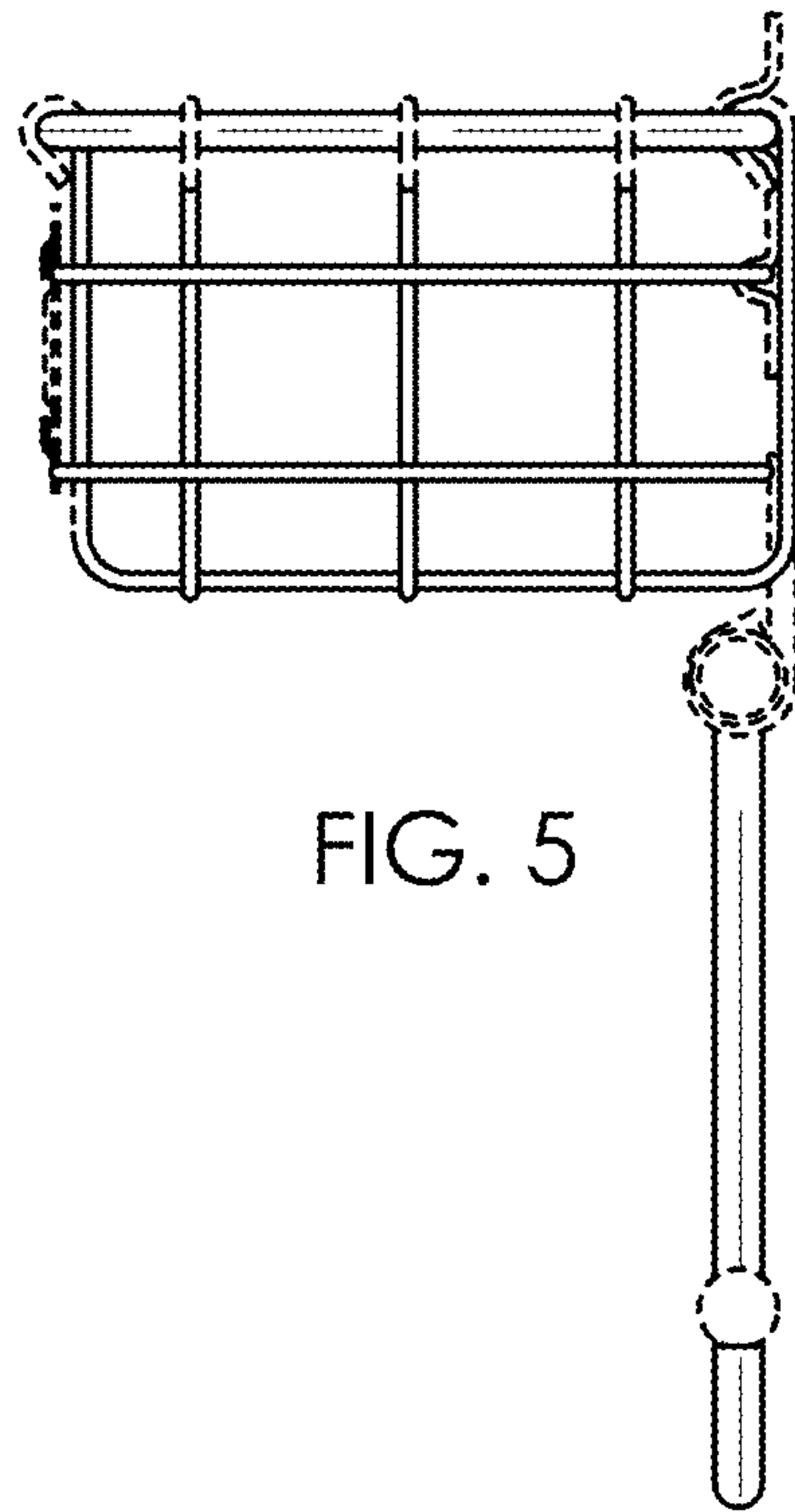


FIG. 5

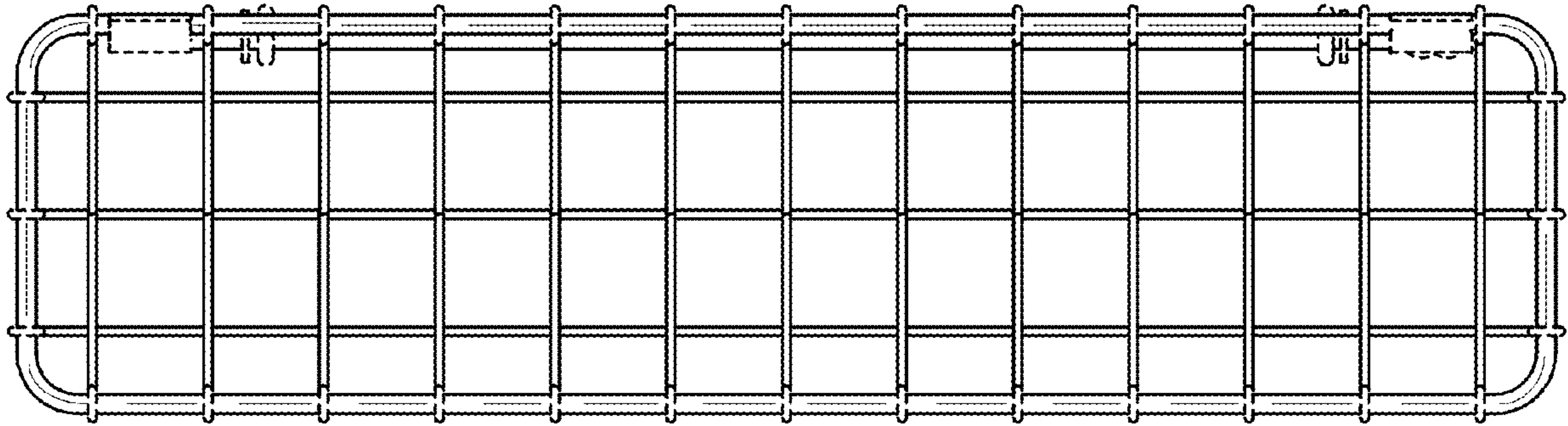


FIG. 6

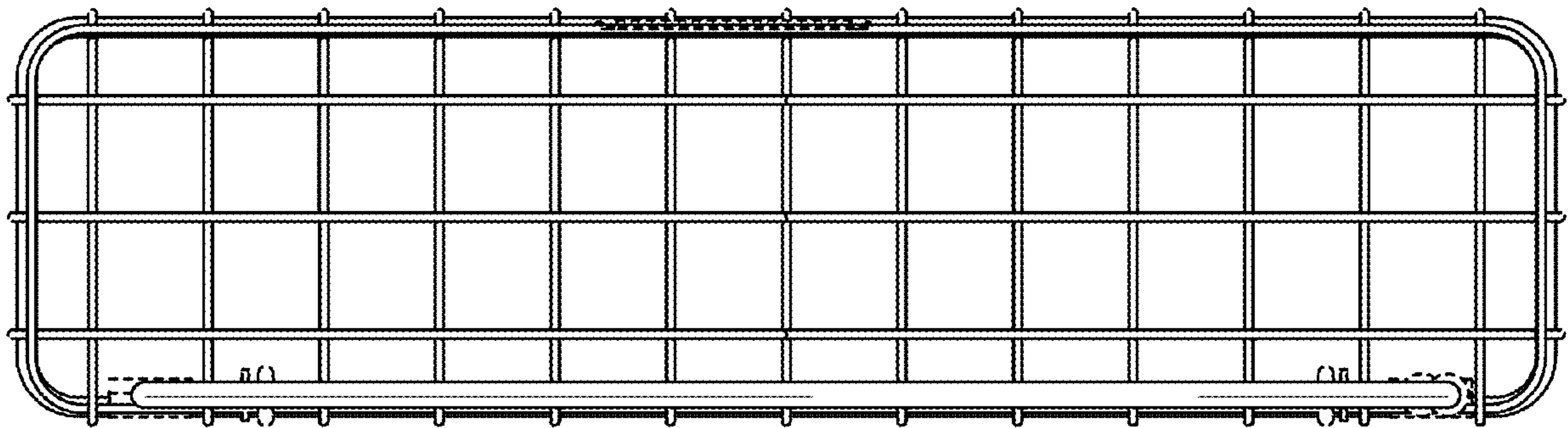


FIG. 7