



US00D880895S

(12) **United States Design Patent**
Wang

(10) **Patent No.:** **US D880,895 S**

(45) **Date of Patent:** **** Apr. 14, 2020**

(54) **SPIRAL HANGING RACK**

(71) Applicant: **Wei-Cheng Wang**, Taipei (TW)

(72) Inventor: **Wei-Cheng Wang**, Taipei (TW)

(**) Term: **15 Years**

(21) Appl. No.: **29/676,288**

(22) Filed: **Jan. 10, 2019**

(51) **LOC (12) Cl.** **06-04**

(52) **U.S. Cl.**
USPC **D6/553**

(58) **Field of Classification Search**
USPC D6/553, 512-514, 566, 315, 320, 327,
D6/567, 569; D8/349, 354, 372,
D8/367-370; 211/13.1, 30, 32, 70.6,
211/56.01, 87.01, 181.1; 248/301-304,
248/309.1, 309.2; D11/117, 121, 131,
D11/157, 158; D25/63; 193/3, 12;
D34/28, 29; D21/821; D23/201

See application file for complete search history.

(56) **References Cited**

U.S. PATENT DOCUMENTS

D292,938 S * 11/1987 Tarlton D34/29
D296,489 S * 6/1988 Nair D34/28

D327,759 S * 7/1992 Tarlton D34/29
D335,517 S * 5/1993 Vatterot D21/821
D378,120 S * 2/1997 Wood D23/201
D498,963 S * 11/2004 Sung-Feng D6/553
D723,242 S * 3/2015 Walker D1/125

* cited by examiner

Primary Examiner — Wan Laymon

Assistant Examiner — Mark Booker

(74) *Attorney, Agent, or Firm* — Leong C. Lei

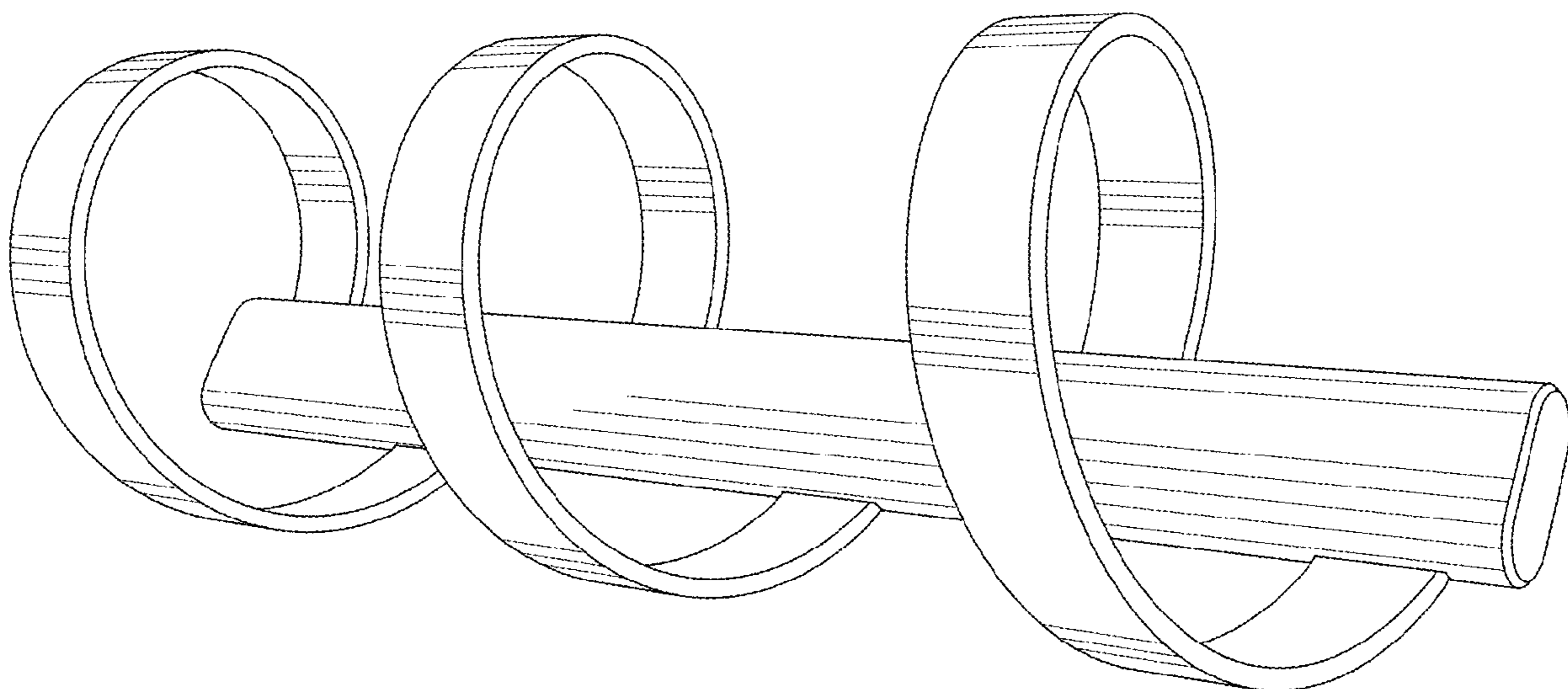
(57) **CLAIM**

The ornamental design for a spiral hanging rack, as shown and described.

DESCRIPTION

FIG. 1 is a perspective view of a spiral hanging rack showing my new design;
FIG. 2 is a front elevational view thereof;
FIG. 3 is a rear elevational view thereof;
FIG. 4 is a left side elevational view thereof;
FIG. 5 is a right side elevational view thereof;
FIG. 6 is a top plan view thereof; and,
FIG. 7 is a bottom plan view thereof.

1 Claim, 6 Drawing Sheets



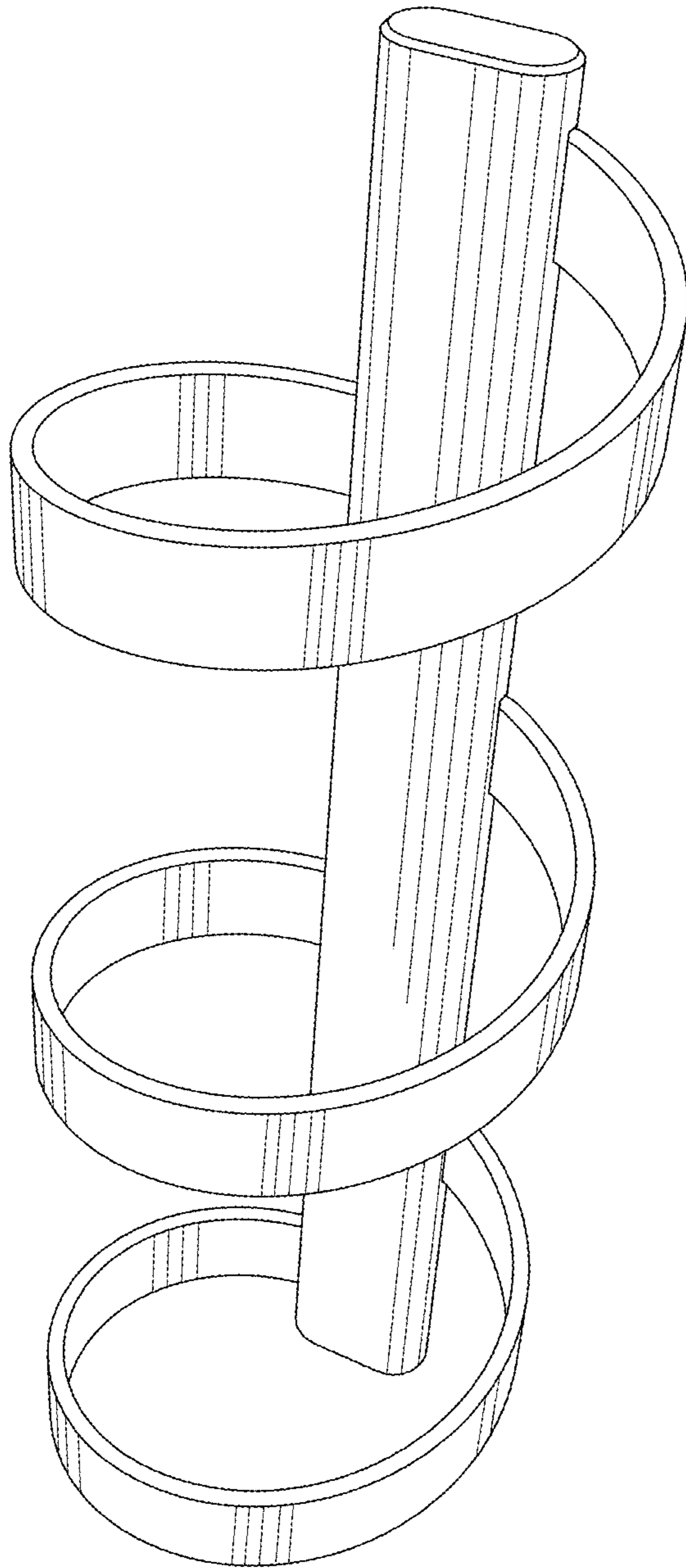


FIG. 1

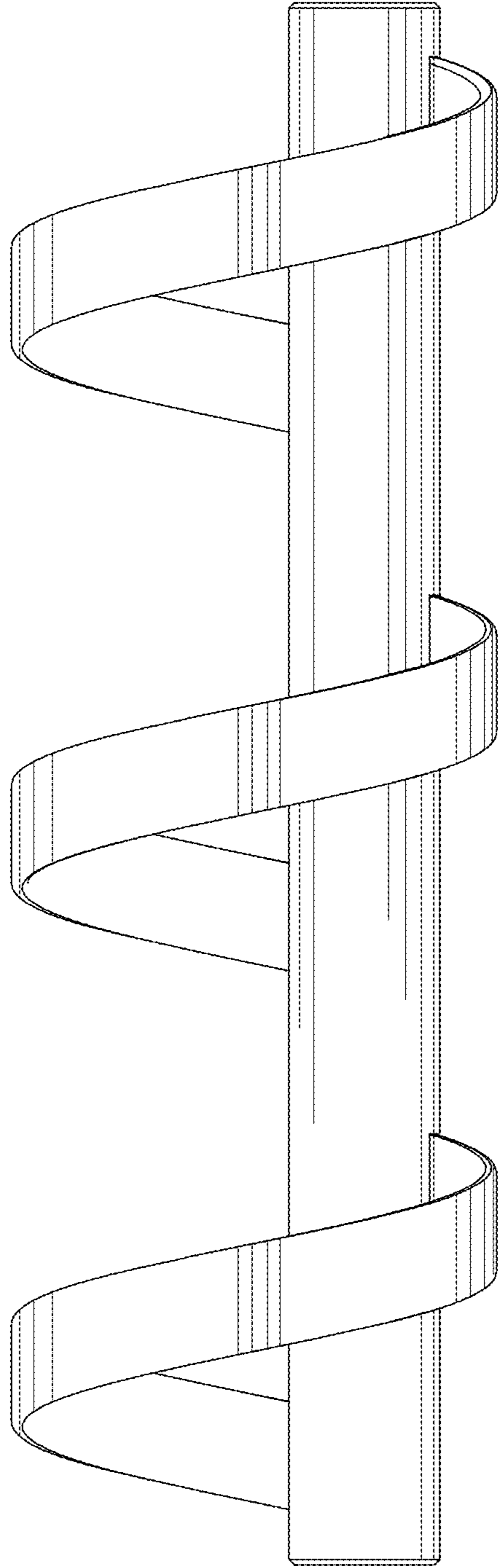


FIG. 2

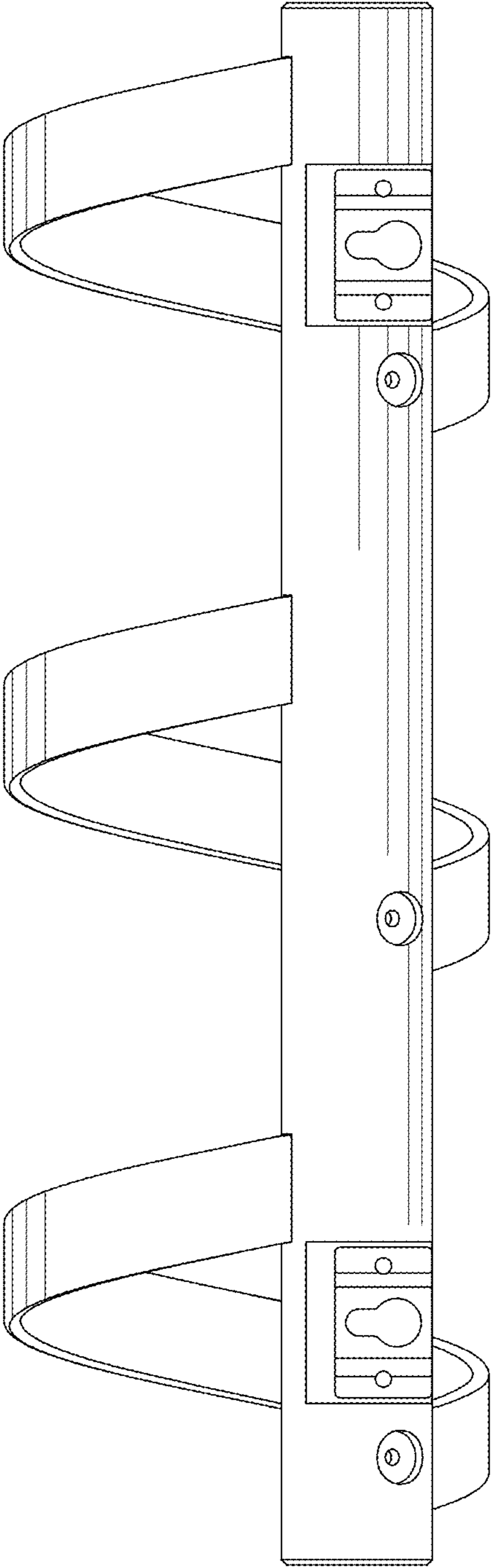


FIG. 3

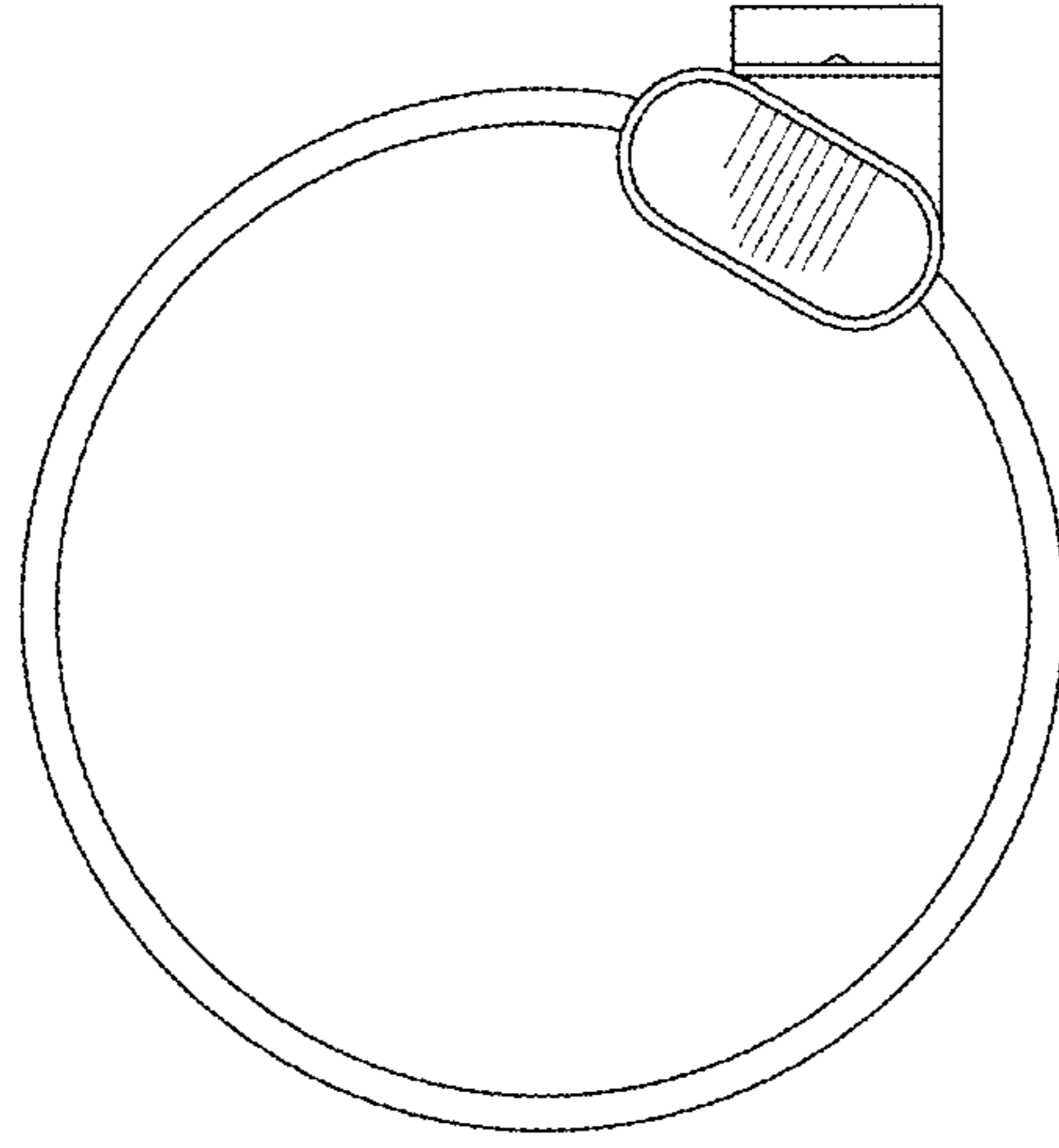


FIG. 5

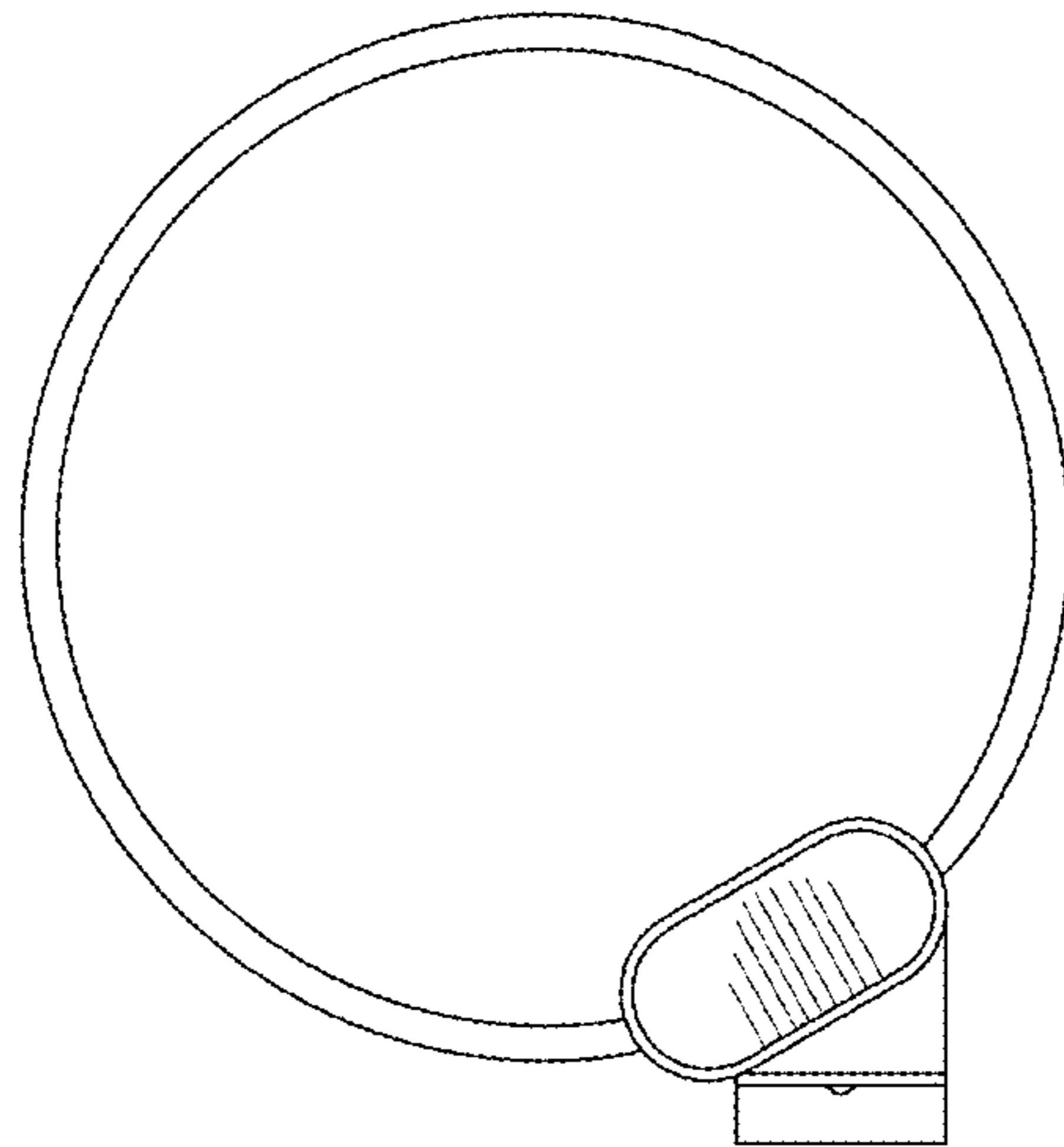


FIG. 4

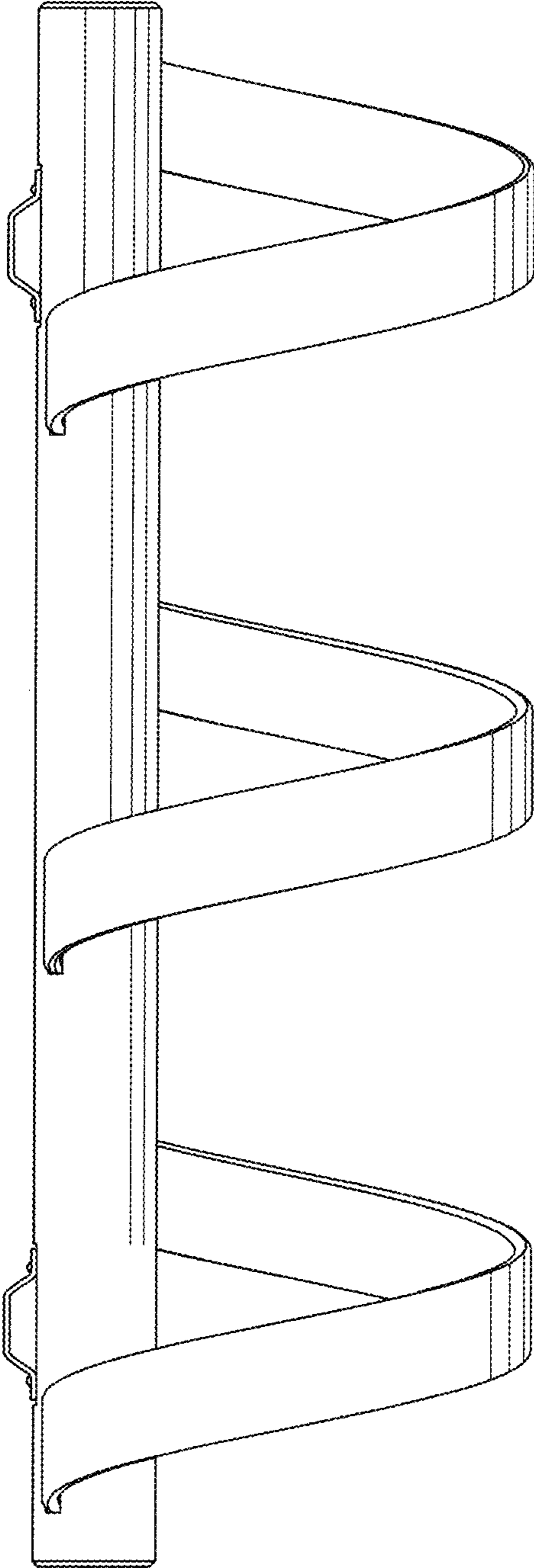


FIG. 6

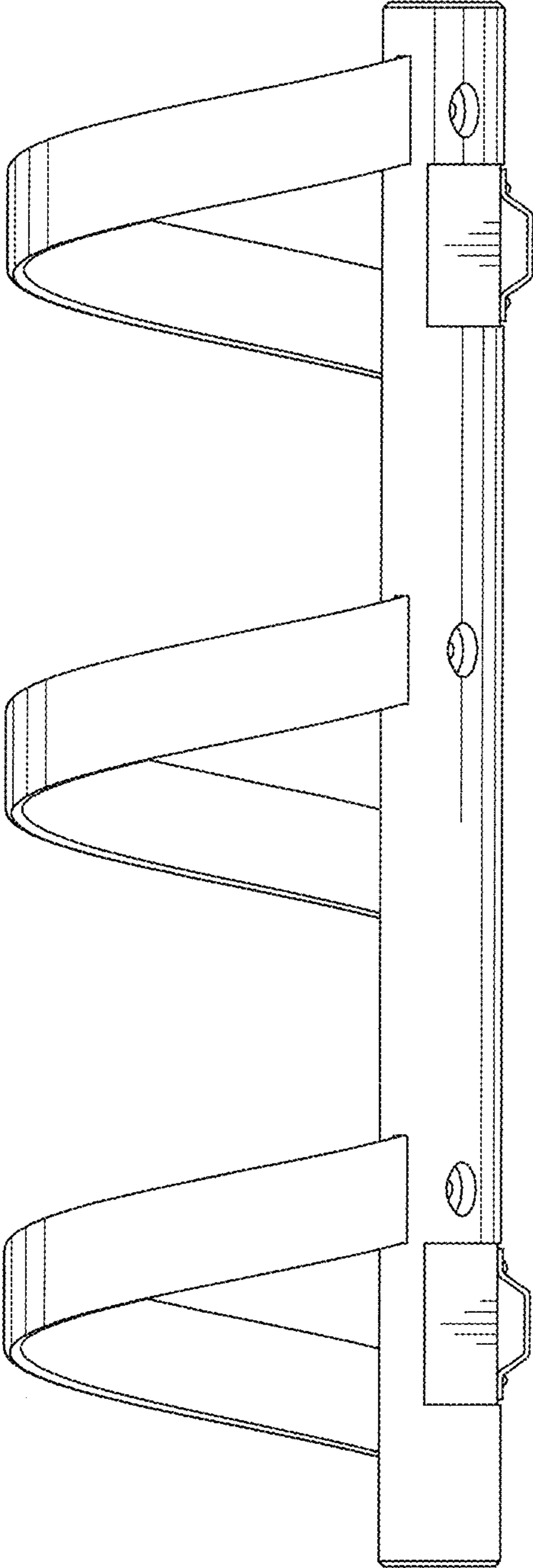


FIG. 7