



US00D880894S

(12) **United States Design Patent** (10) **Patent No.:** **US D880,894 S**
Liu (45) **Date of Patent:** **** Apr. 14, 2020**

(54) **RACK**
(71) Applicant: **Jinzhen Liu**, Shenzhen (CN)
(72) Inventor: **Jinzhen Liu**, Shenzhen (CN)
(**) Term: **15 Years**

D493,056 S * 7/2004 Shornak D6/552
D573,827 S * 7/2008 Taggart
D597,776 S * 8/2009 Taggart D6/552
D604,547 S * 11/2009 Chang D6/552
D688,490 S * 8/2013 Pepe
D699,477 S * 2/2014 Allen D6/552
D706,558 S * 6/2014 Yates D6/675.3
D852,538 S * 7/2019 Lawrence D6/552

(21) Appl. No.: **29/715,174**
(22) Filed: **Nov. 27, 2019**
(51) **LOC (12) Cl.** **08-08**
(52) **U.S. Cl.**
USPC **D6/552**
(58) **Field of Classification Search**
USPC D6/552, 553, 567, 572, 675.3; D8/380;
D22/109, 147, 148; D25/68; 43/21,
43/21.2; 211/13.1, 60.1, 64, 70.2, 70.6,
211/70.8, 70.08, 65, 68, 69, 69.8, 89,
211/89.01, 94; 248/512, 520, 538, 316.7;
D7/708
CPC A01K 97/10; A01K 97/12; A01K 97/125;
A01K 99/00; A01K 97/08; A47F 7/0021;
A47F 7/0035; Y10T 70/5009; Y10S
224/922; A47B 81/005
See application file for complete search history.

* cited by examiner

Primary Examiner — Wan Laymon
Assistant Examiner — Mark Booker

(57) **CLAIM**

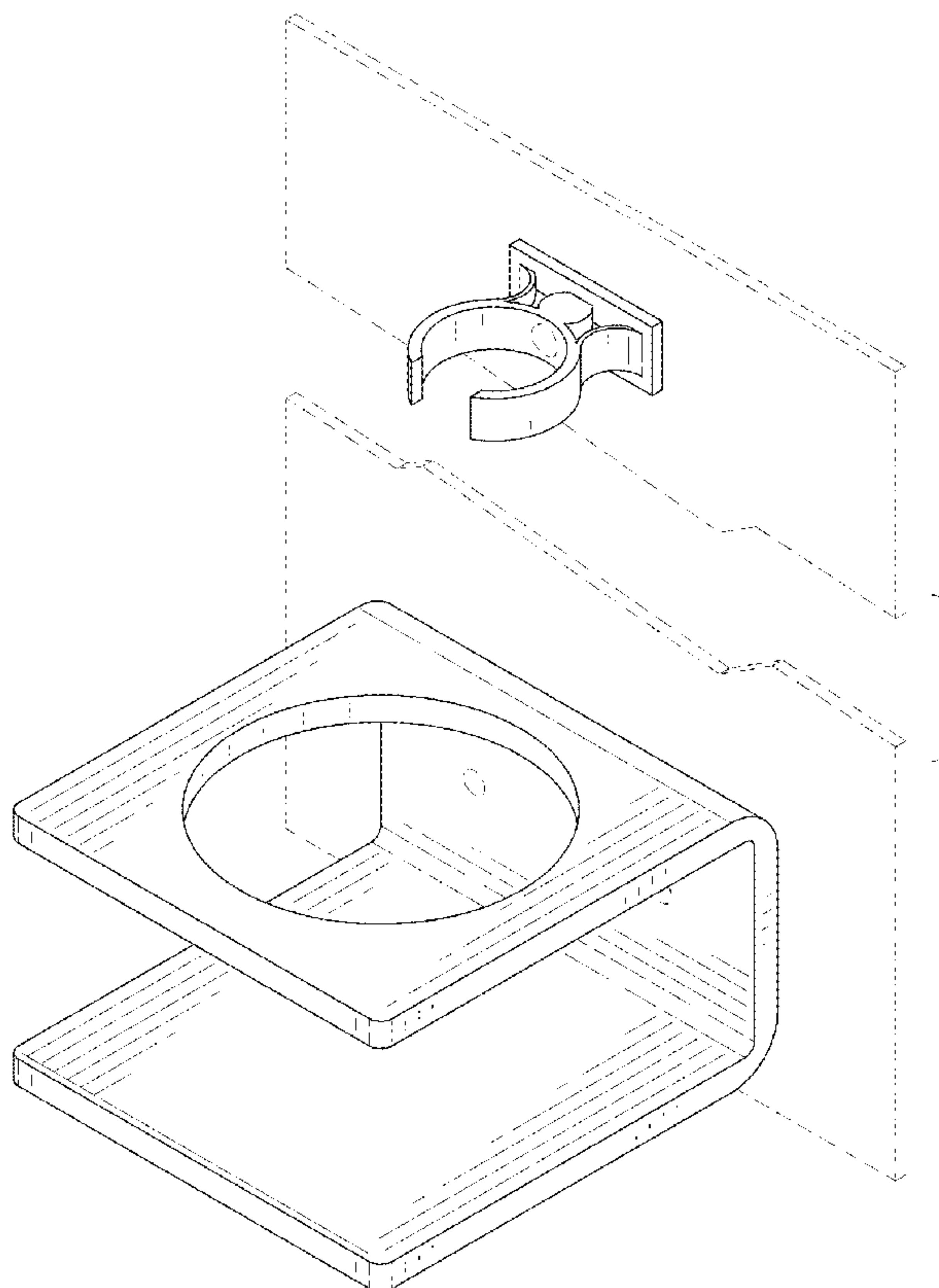
The ornamental design for a rack, as shown and described.

DESCRIPTION

FIG. 1 is a perspective view of a rack showing my new design;
FIG. 2 is a front elevational view thereof;
FIG. 3 is a left side elevational view thereof;
FIG. 4 is a right side elevational view thereof;
FIG. 5 is a top plan view thereof; and,
FIG. 6 is a bottom plan view thereof.
The broken lines in the drawings depict portions of the rack that form no part of the claimed design.

(56) **References Cited**
U.S. PATENT DOCUMENTS
D301,511 S 6/1989 Rainsberger
D391,107 S 2/1998 Zimmer

1 Claim, 6 Drawing Sheets



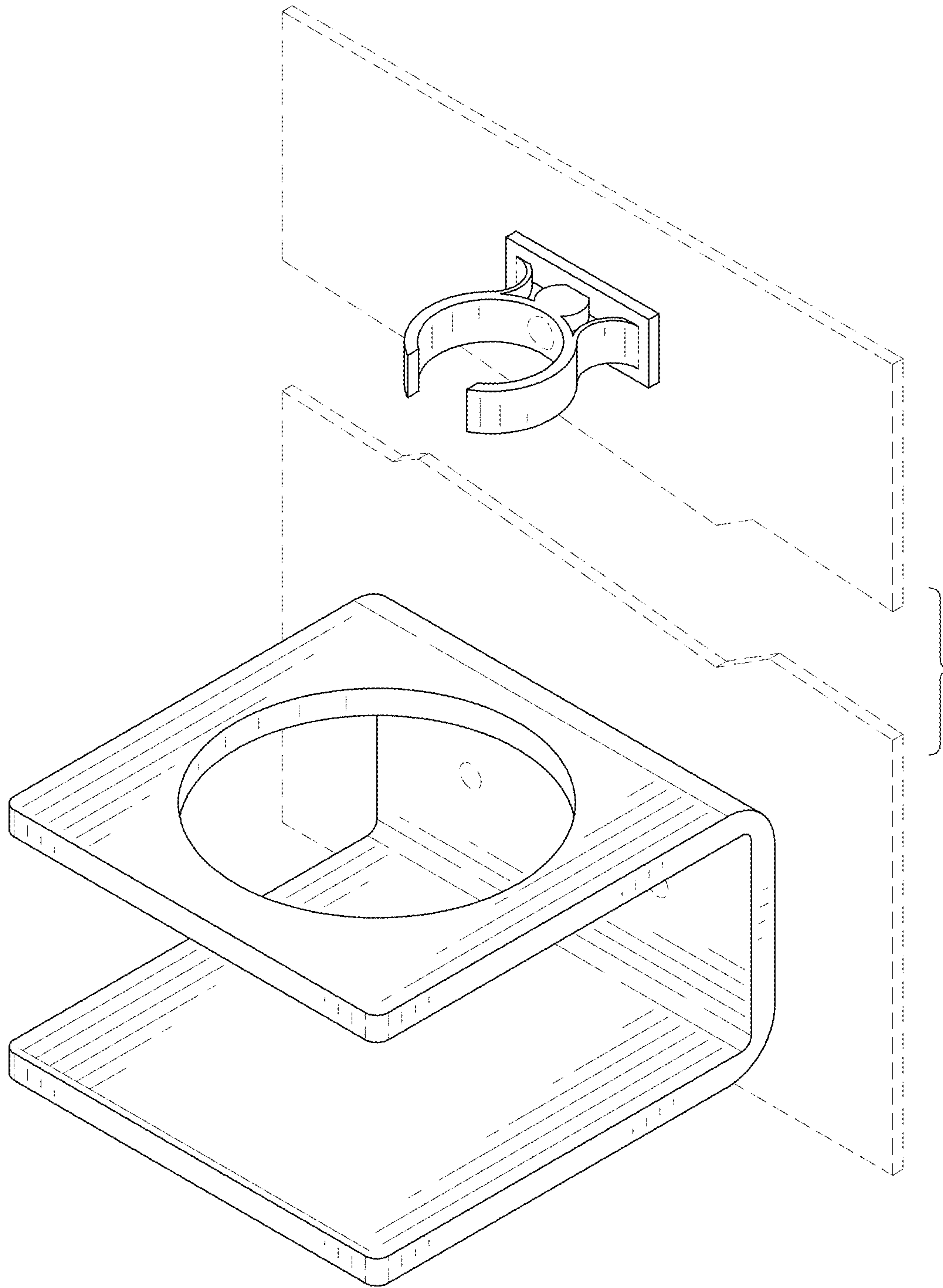


FIG. 1

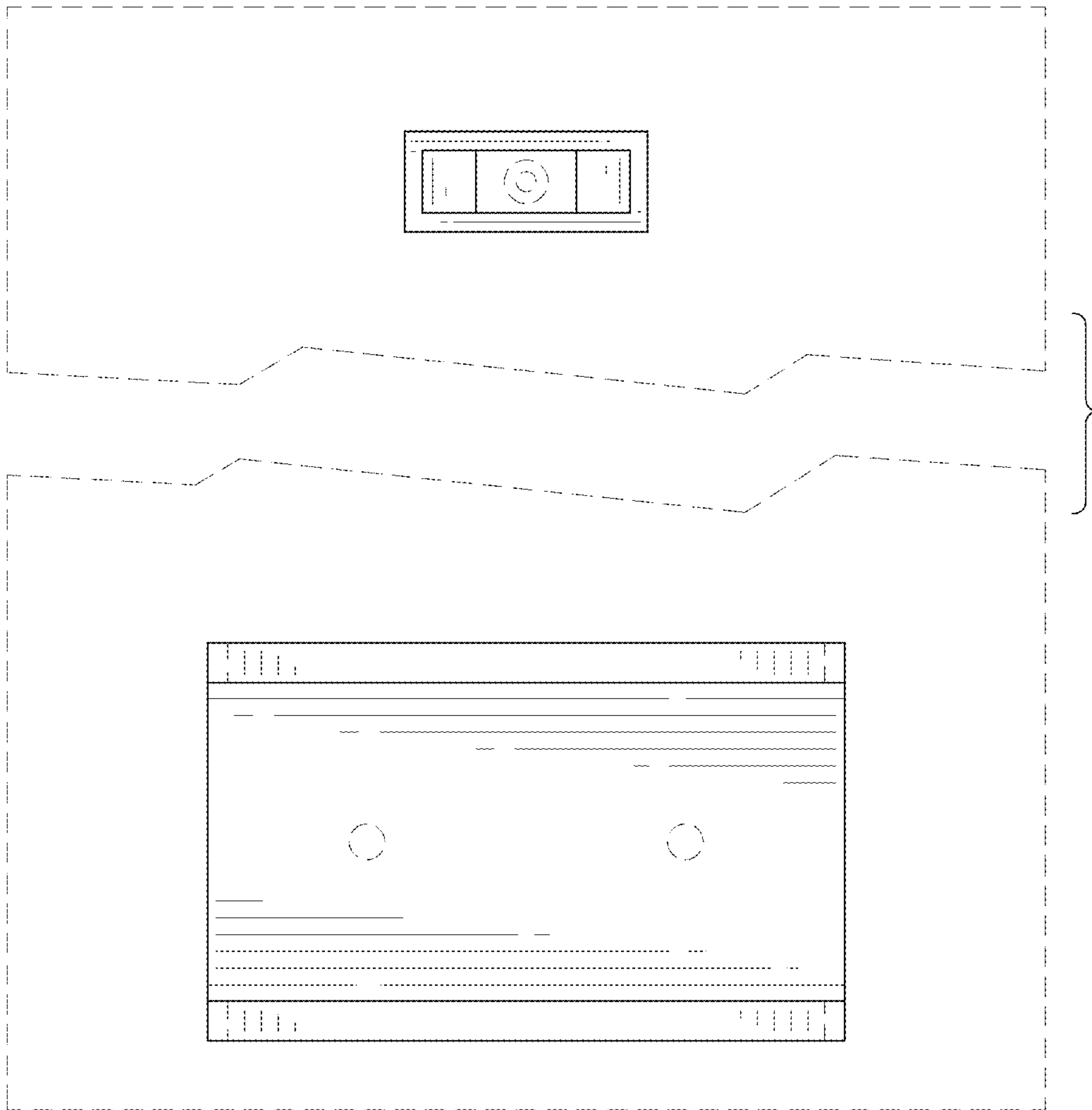


FIG. 2

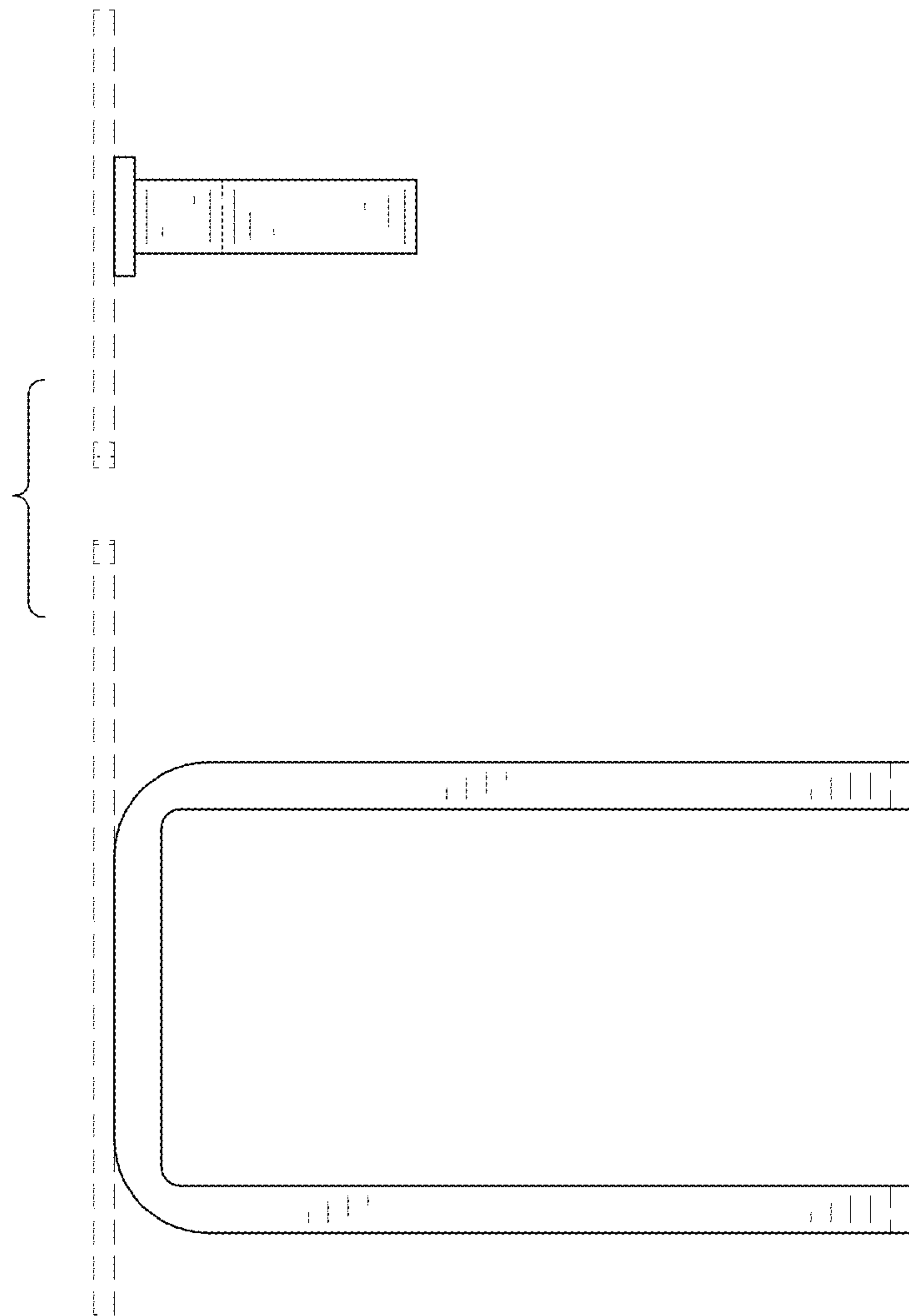


FIG. 3

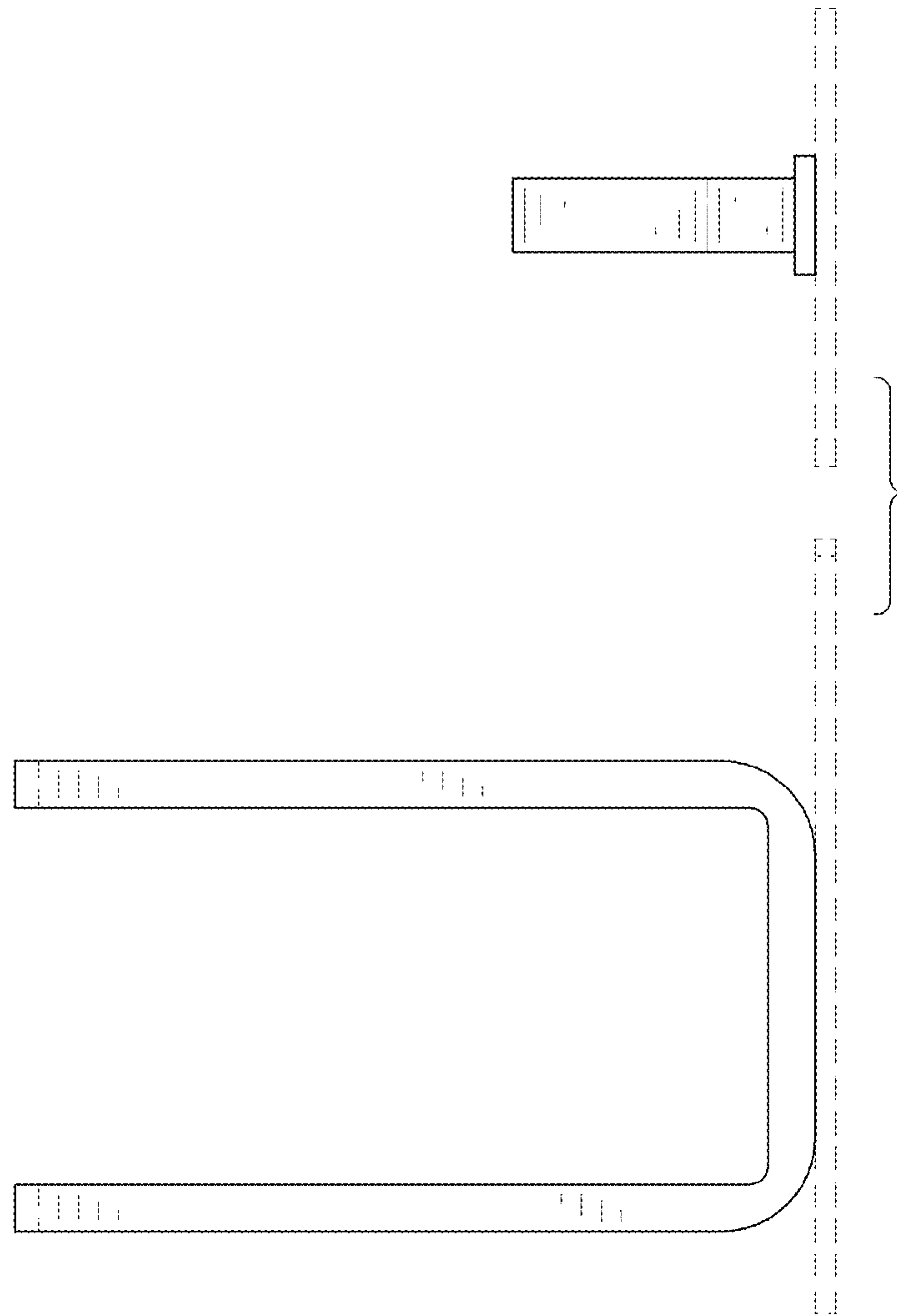


FIG. 4

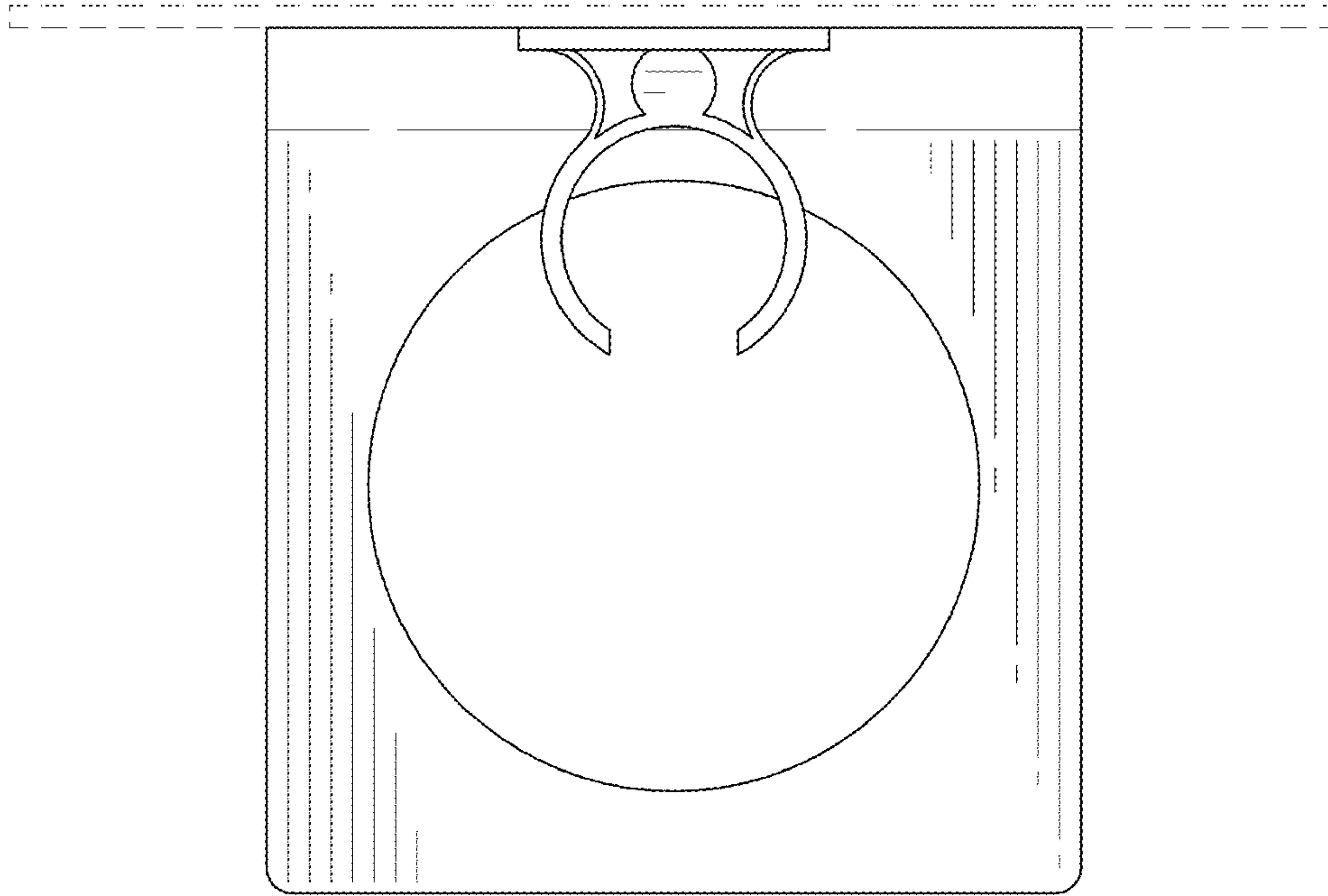


FIG. 5

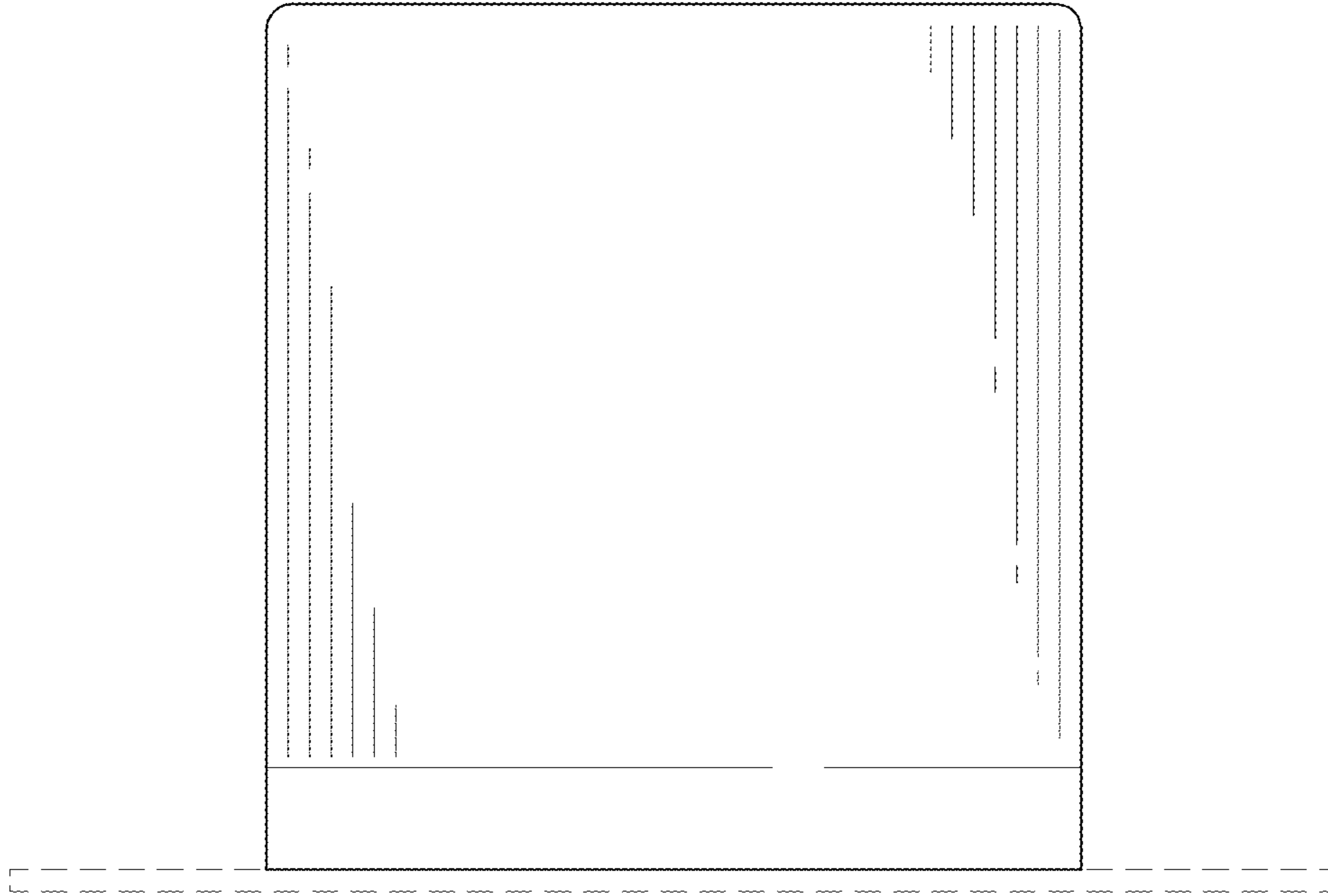


FIG. 6