



US00D880893S

(12) **United States Design Patent** (10) **Patent No.:** **US D880,893 S**
Wollmer (45) **Date of Patent:** **** Apr. 14, 2020**

(54) **SOAP CONTAINER**
(71) Applicant: **Bradley Fixtures Corporation**,
Menomonee Falls, WI (US)
(72) Inventor: **James A. Wollmer**, Menomonee Falls,
WI (US)
(73) Assignee: **Bradley Fixtures Corporation**,
Menomonee Falls, WI (US)
(**) Term: **15 Years**

D443,783 S * 6/2001 Kauzlarich D6/545
D491,799 S * 6/2004 Palomino, Jr. D9/520
D650,285 S * 12/2011 Smith D9/516
D736,088 S * 8/2015 Siu D6/542
D802,961 S * 11/2017 Okuno-Jones D6/542
D816,503 S * 5/2018 Gerig D9/523

* cited by examiner

Primary Examiner — Wan Laymon
Assistant Examiner — Mark Booker

(74) *Attorney, Agent, or Firm* — Boyle Fredrickson, S.C.

(21) Appl. No.: **29/669,278**
(22) Filed: **Nov. 7, 2018**
(51) **LOC (12) Cl.** **06-04**
(52) **U.S. Cl.**
USPC **D6/542**
(58) **Field of Classification Search**
USPC D6/542, 512, 515, 524, 540, 545;
D7/300, 304, 305, 312, 313, 589;
D9/414, 417, 430, 432, 434, 435, 436,
D9/447, 448, 516, 523, 525, 547, 682,
D9/683, 684, 520, 542, 724; D24/216,
D24/224; 215/379–385, 396, 398, 400;
220/660, 662, 665, 669; 222/251, 490
CPC ... A47K 5/02; A47K 5/12; A47K 5/14; A47K
5/00; A45D 40/0081; B65D 5/10
See application file for complete search history.

(57) **CLAIM**

The ornamental design for a soap container, as shown and described.

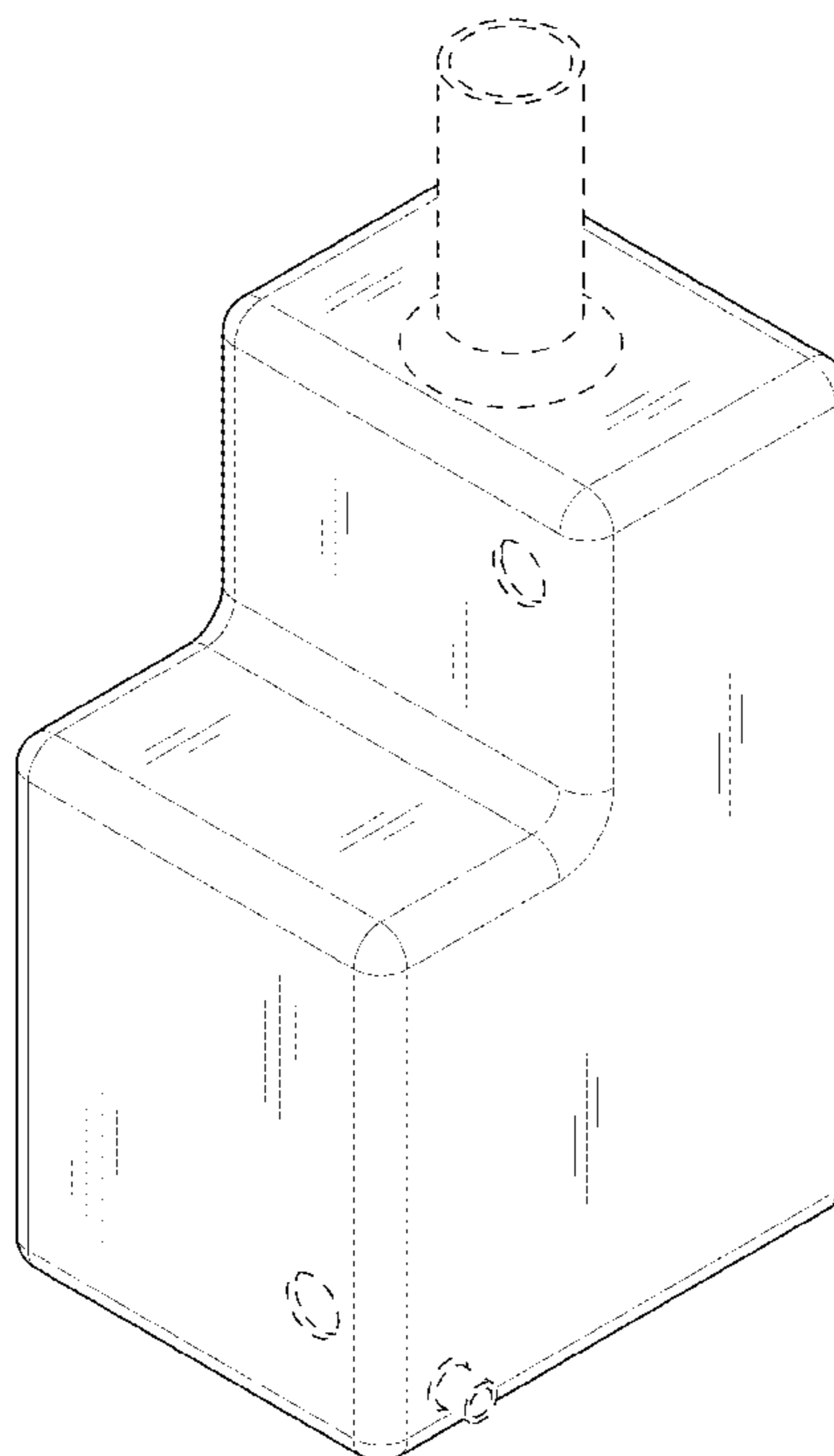
DESCRIPTION

FIG. 1 is a raised perspective view of a soap container;
FIG. 2 is a front view of the soap container shown in FIG. 1;
FIG. 3 is a rear view of the soap container shown in FIG. 1;
FIG. 4 is a right-side view of the soap container shown in FIG. 1;
FIG. 5 is a left-side view of the soap container shown in FIG. 1;
FIG. 6 is a top view of the soap container shown in FIG. 1;
and,
FIG. 7 is a bottom view of the soap container shown in FIG. 1.
The broken lines shown in the figures represent portions of the soap container that form no part of the claimed design.

(56) **References Cited**
U.S. PATENT DOCUMENTS

D282,528 S * 2/1986 Steiner D9/520
D341,775 S * 11/1993 Wolde D9/724

1 Claim, 7 Drawing Sheets



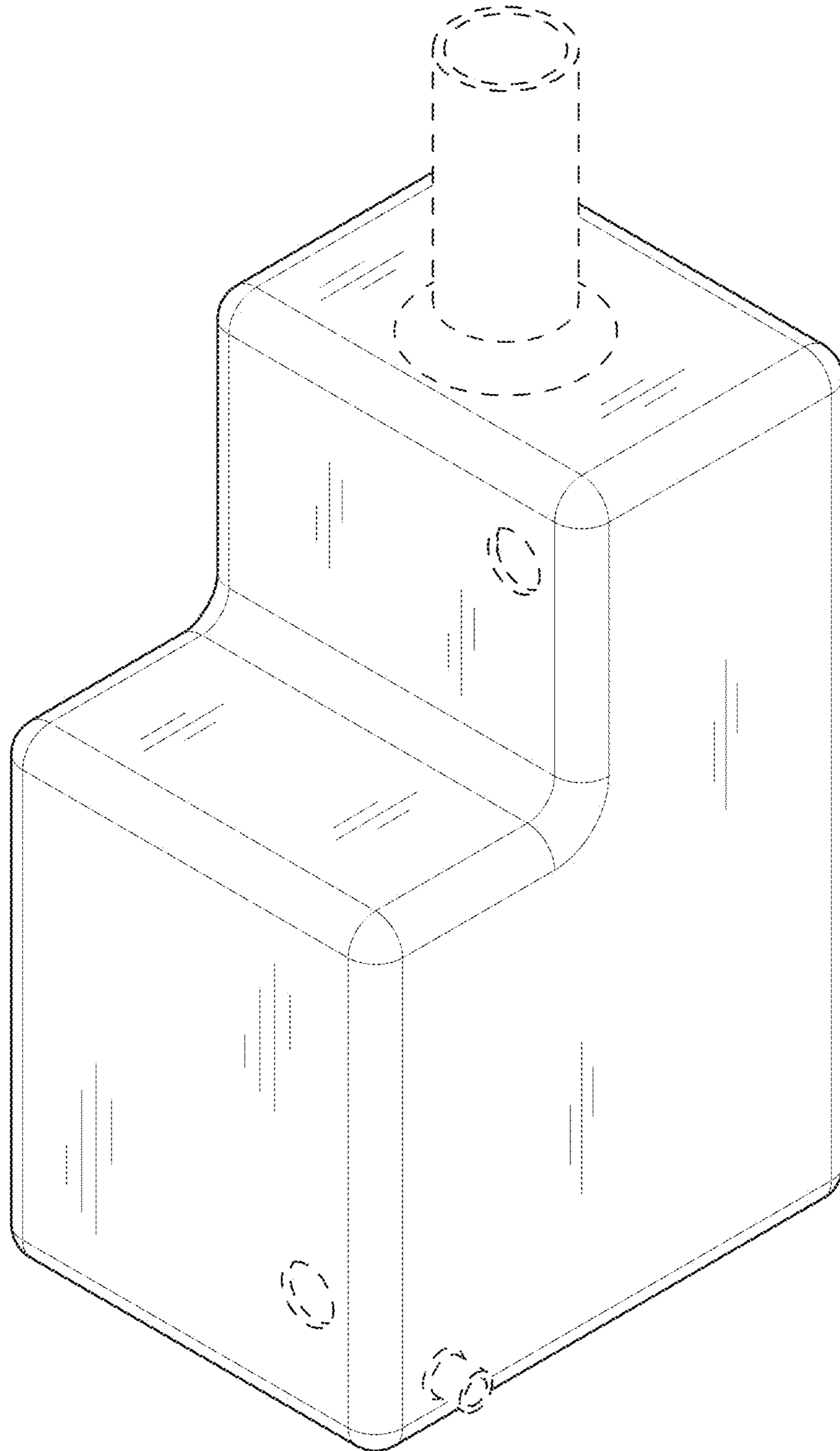


FIG. 1

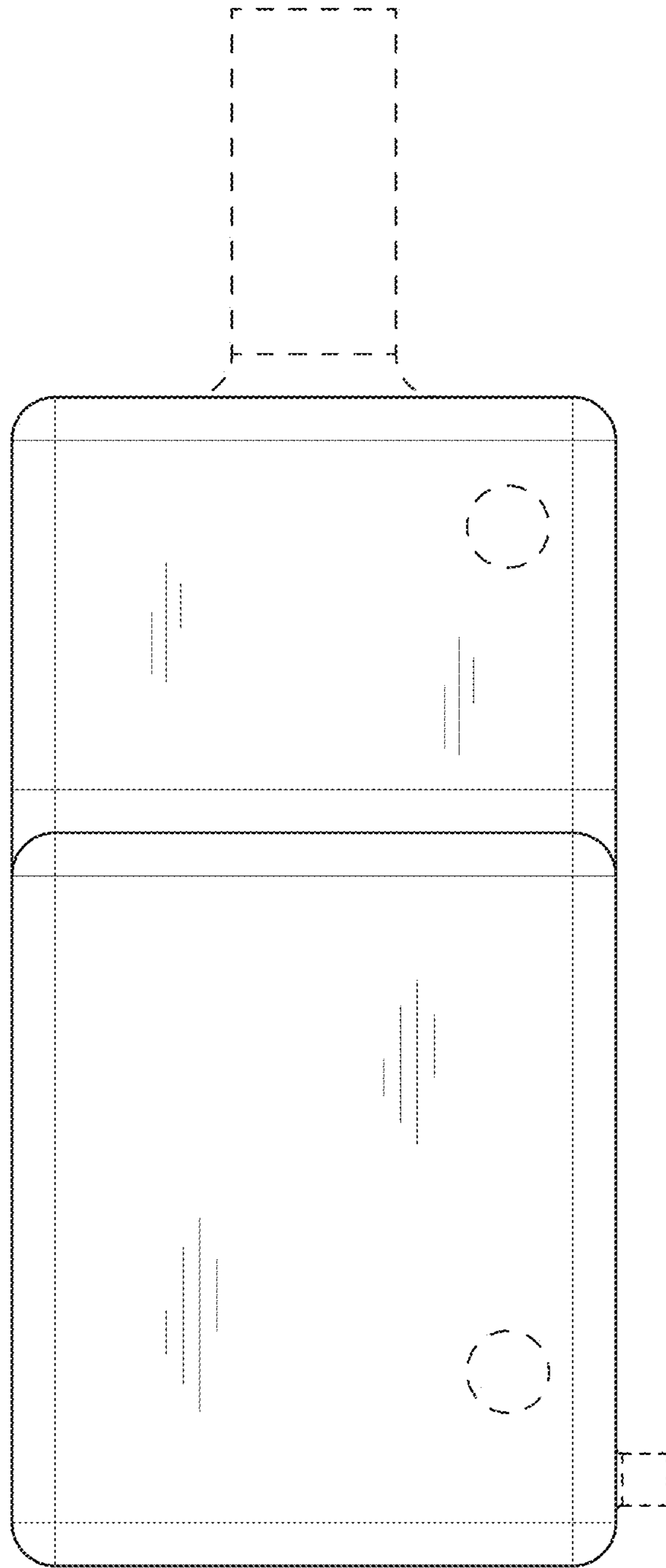


FIG. 2

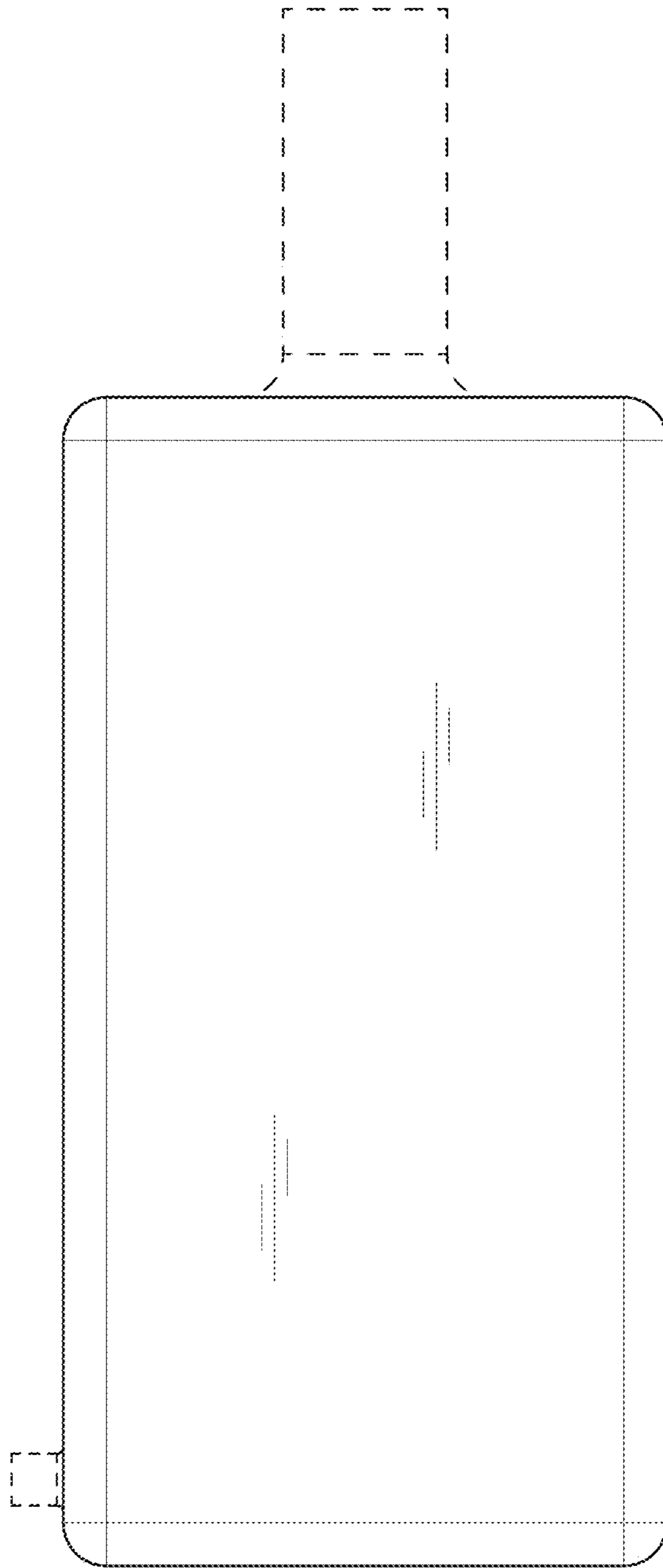


FIG. 3

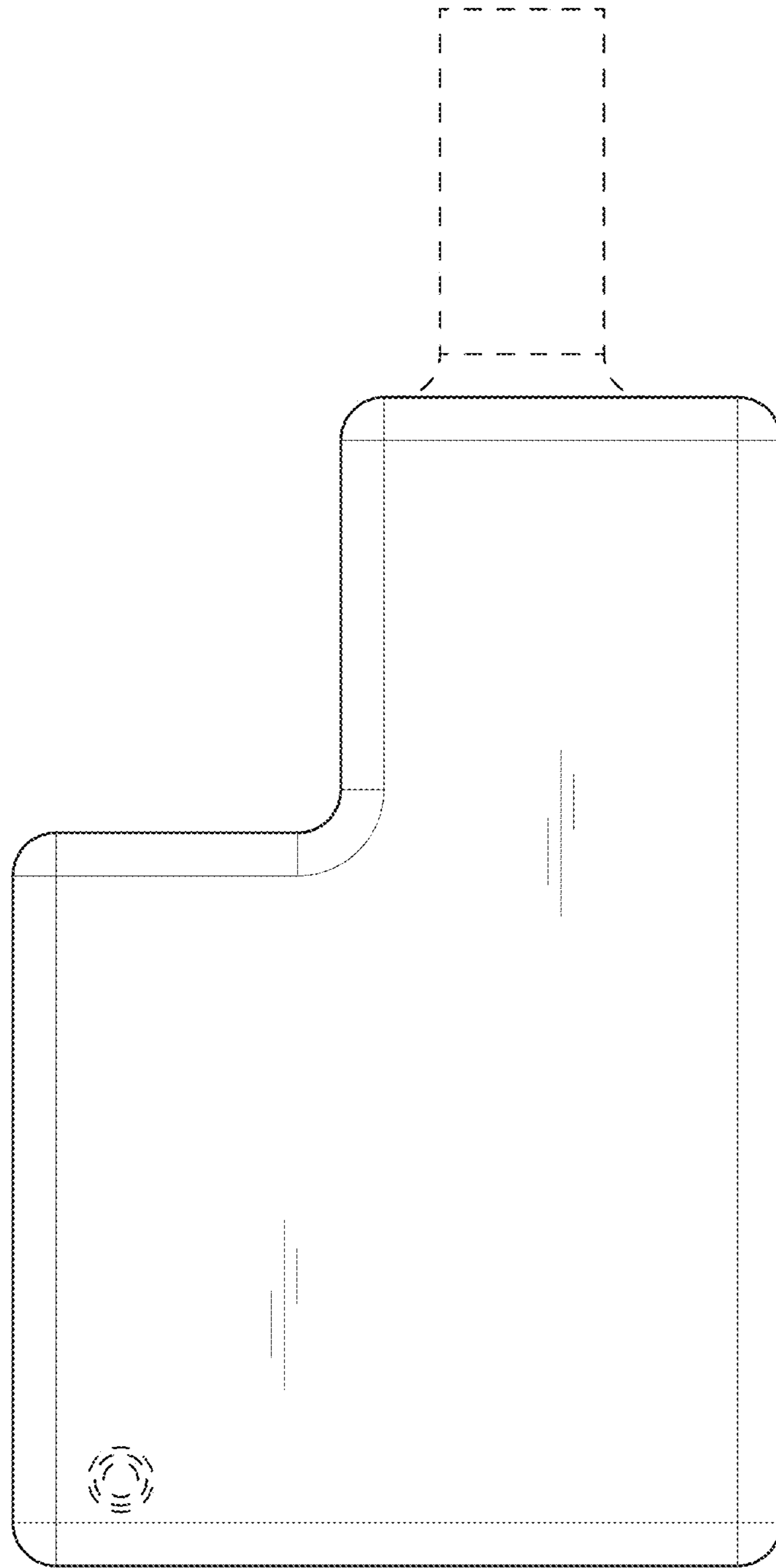


FIG. 4

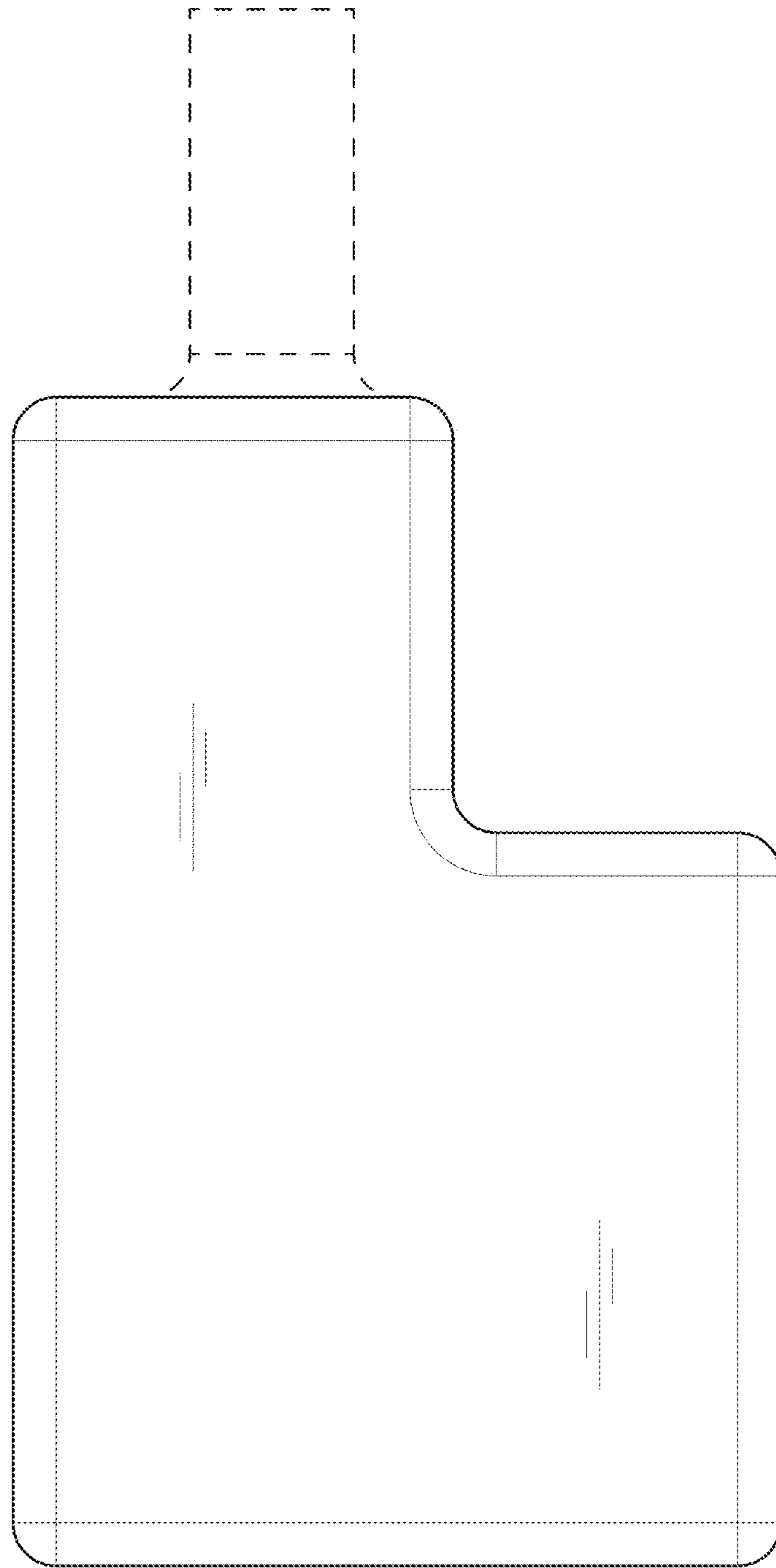


FIG. 5

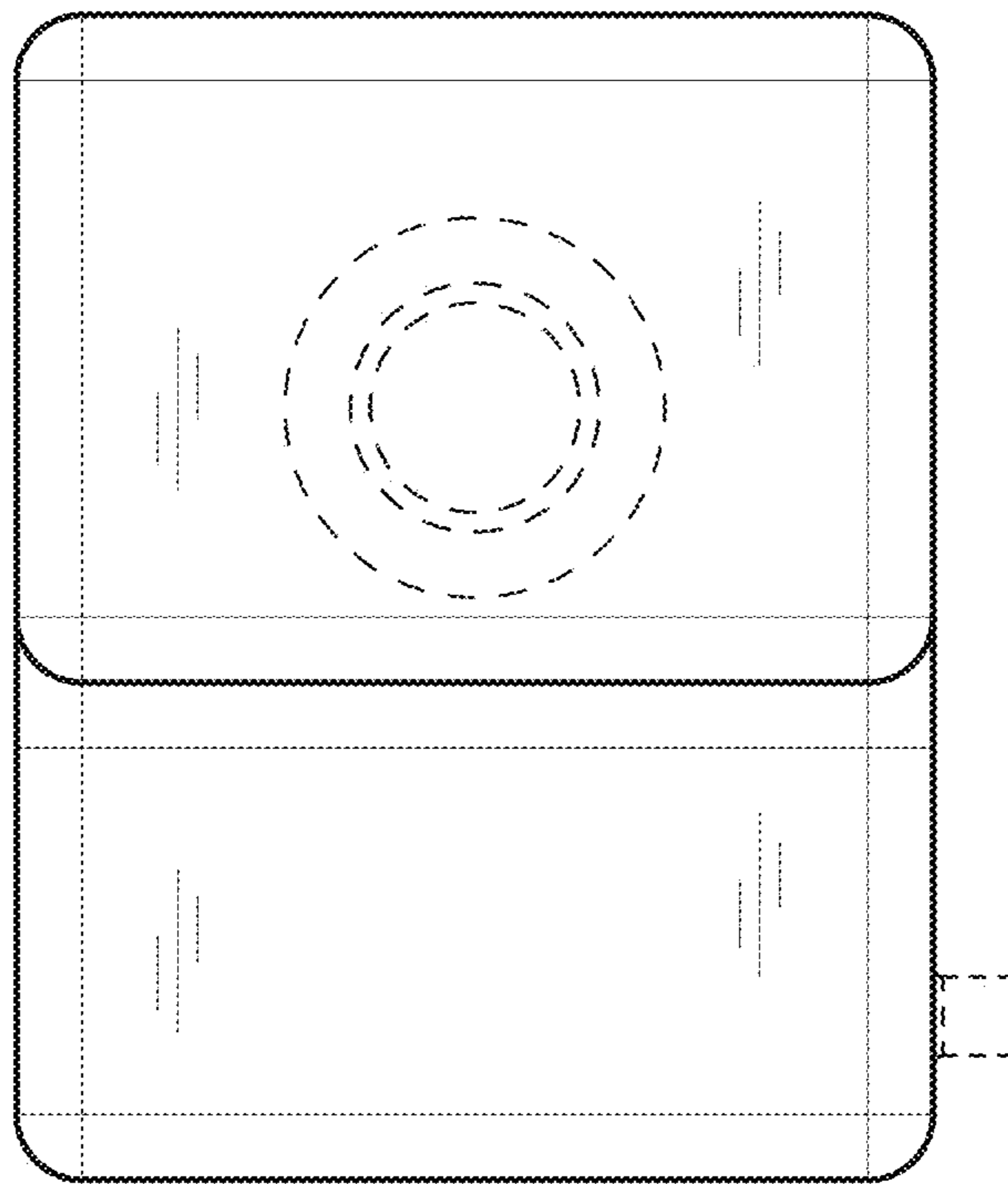


FIG. 6

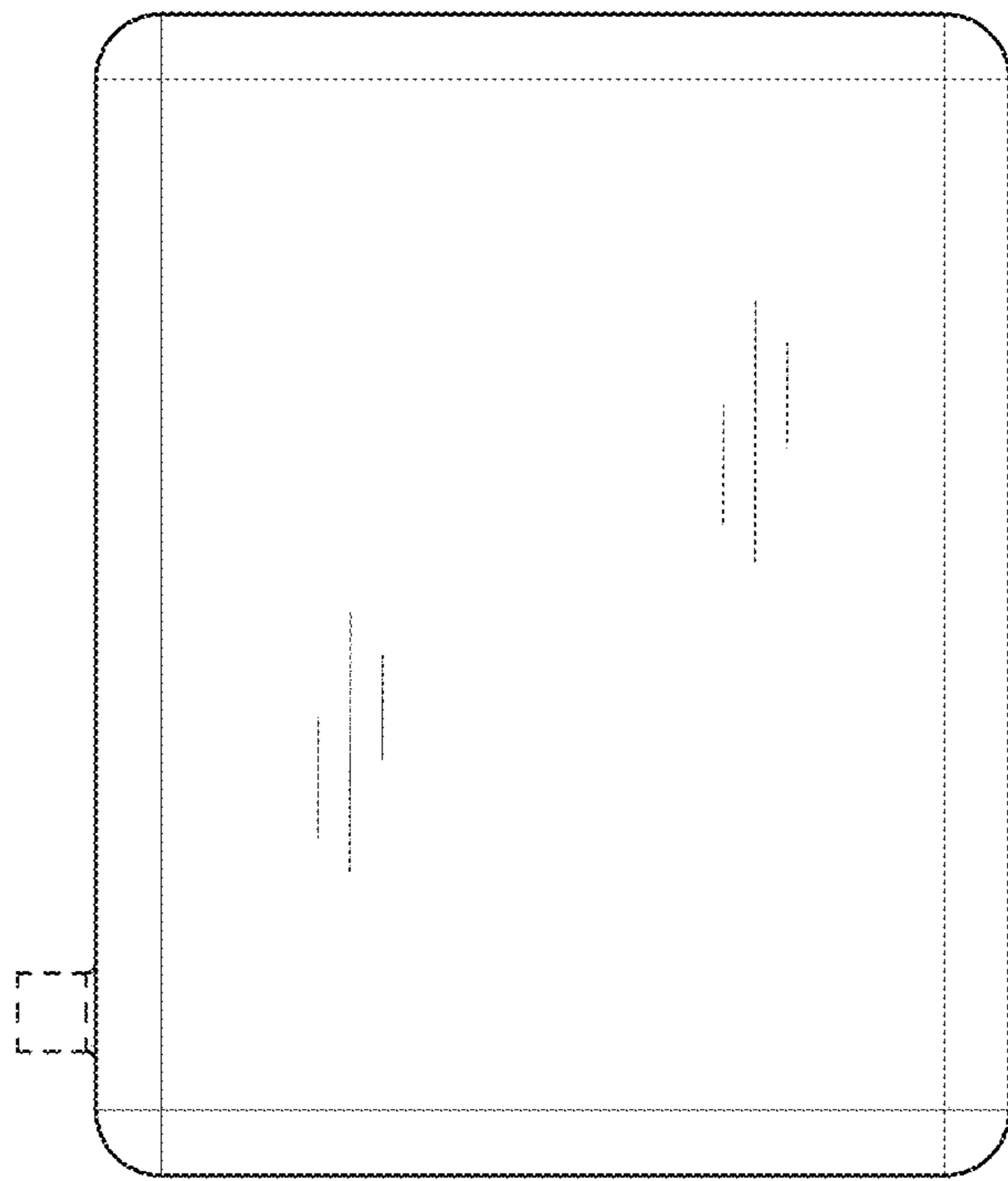


FIG. 7