



US00D880892S

(12) **United States Design Patent**
Chen

(10) **Patent No.:** **US D880,892 S**

(45) **Date of Patent:** **** Apr. 14, 2020**

(54) **JUMBO ROLL TOILET PAPER DISPENSER**

D727,058 S * 4/2015 Morand D6/523
D829,018 S * 9/2018 Meyerhoffer D6/523

(71) Applicant: **Chongliang Chen**, Guangdong (CN)

* cited by examiner

(72) Inventor: **Chongliang Chen**, Guangdong (CN)

Primary Examiner — Wan Laymon

(**) Term: **15 Years**

Assistant Examiner — Mark Booker

(21) Appl. No.: **29/653,438**

(74) *Attorney, Agent, or Firm* — Justin Lampel

(22) Filed: **Jun. 15, 2018**

(51) **LOC (12) Cl.** **23-02**

(57) **CLAIM**

(52) **U.S. Cl.**

The ornamental design for a jumbo roll toilet paper dispenser, as shown and described.

USPC **D6/523**

(58) **Field of Classification Search**

USPC D6/523, 515, 518–522; D3/201;
206/389, 391, 407, 409; 211/16, 85.5,
211/59.2; 312/34.1, 34.8; 221/92, 97,
221/185, 282, 284; 242/59, 159, 160.2,
242/550, 560, 590, 588, 589, 589.3, 594,
242/598.65

DESCRIPTION

CPC A47K 10/3836; A47K 2010/3253; A47K
10/38; Y10T 225/282; Y10T 225/237

FIG. 1 is a top perspective view of a jumbo roll toilet paper dispenser showing my new design;
FIG. 2 is a bottom perspective view thereof;
FIG. 3 is a front side view thereof;
FIG. 4 is a rear side view thereof;
FIG. 5 is a right side view thereof;
FIG. 6 is a left side view thereof;
FIG. 7 is a bottom plan view thereof; and,
FIG. 8 is a top plan view thereof.

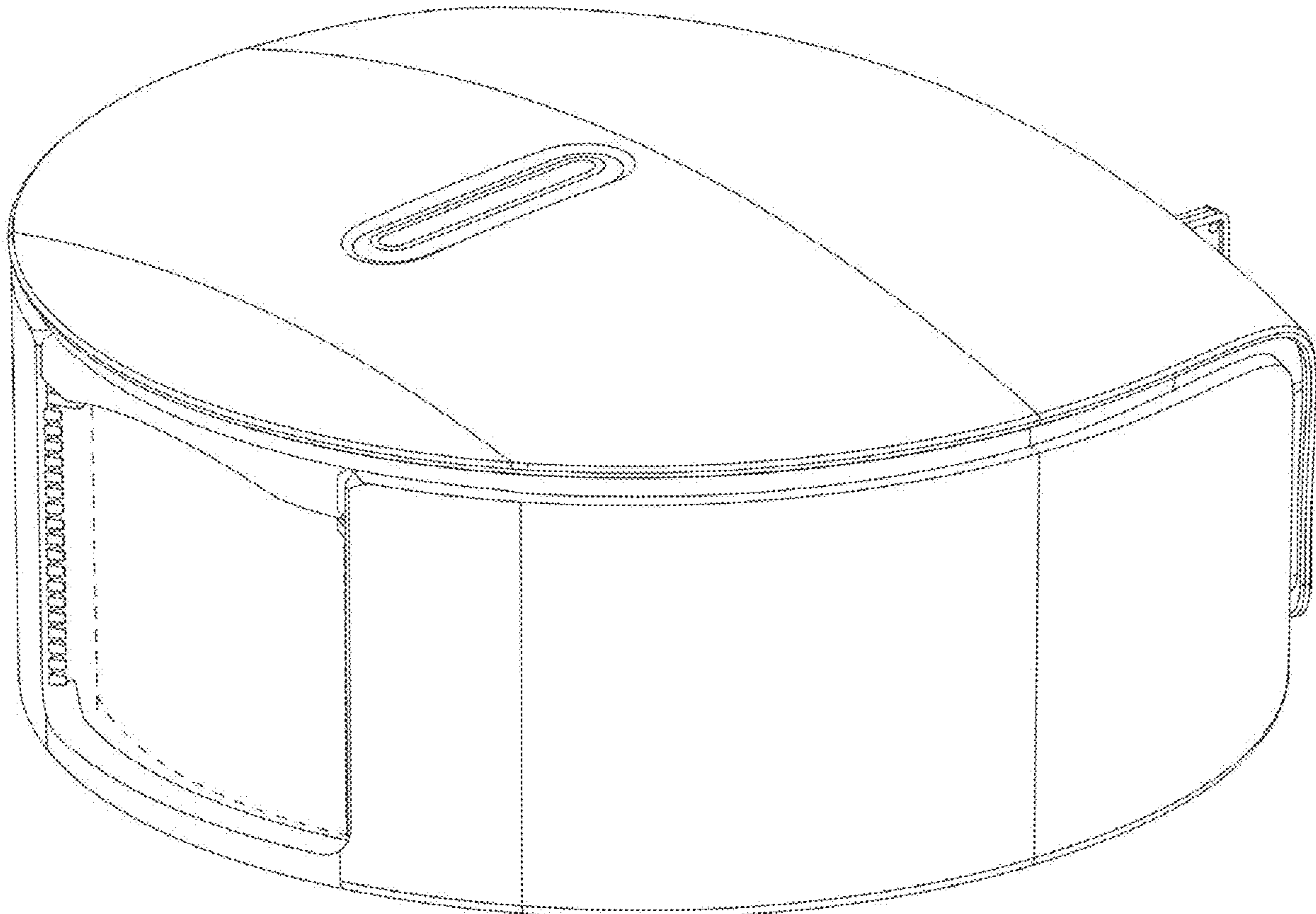
See application file for complete search history.

(56) **References Cited**

U.S. PATENT DOCUMENTS

1 Claim, 8 Drawing Sheets

D326,973 S * 6/1992 Froidevaux D6/523
D615,331 S * 5/2010 Meyerhoffer D6/523



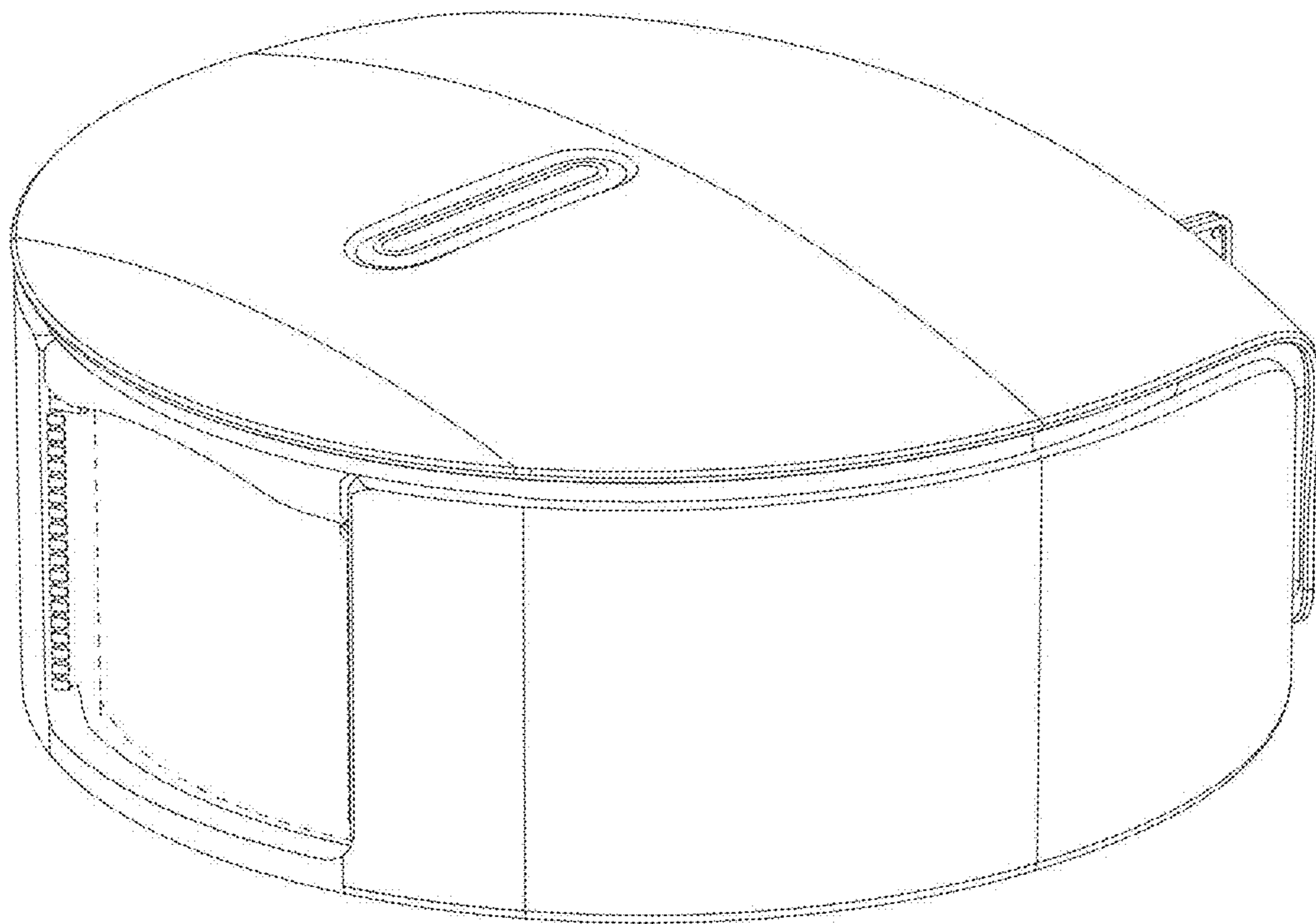


FIG. 1

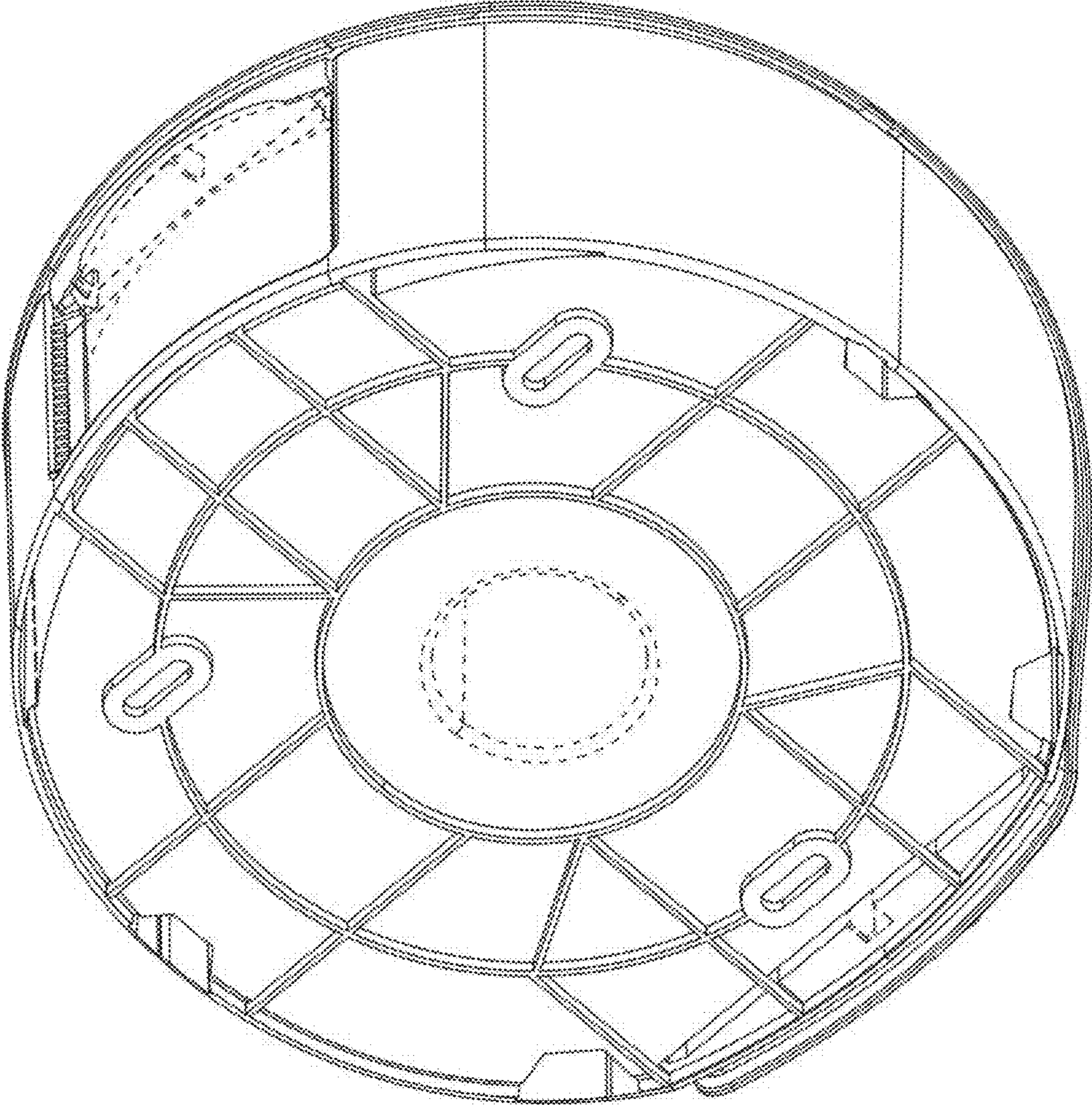


FIG. 2

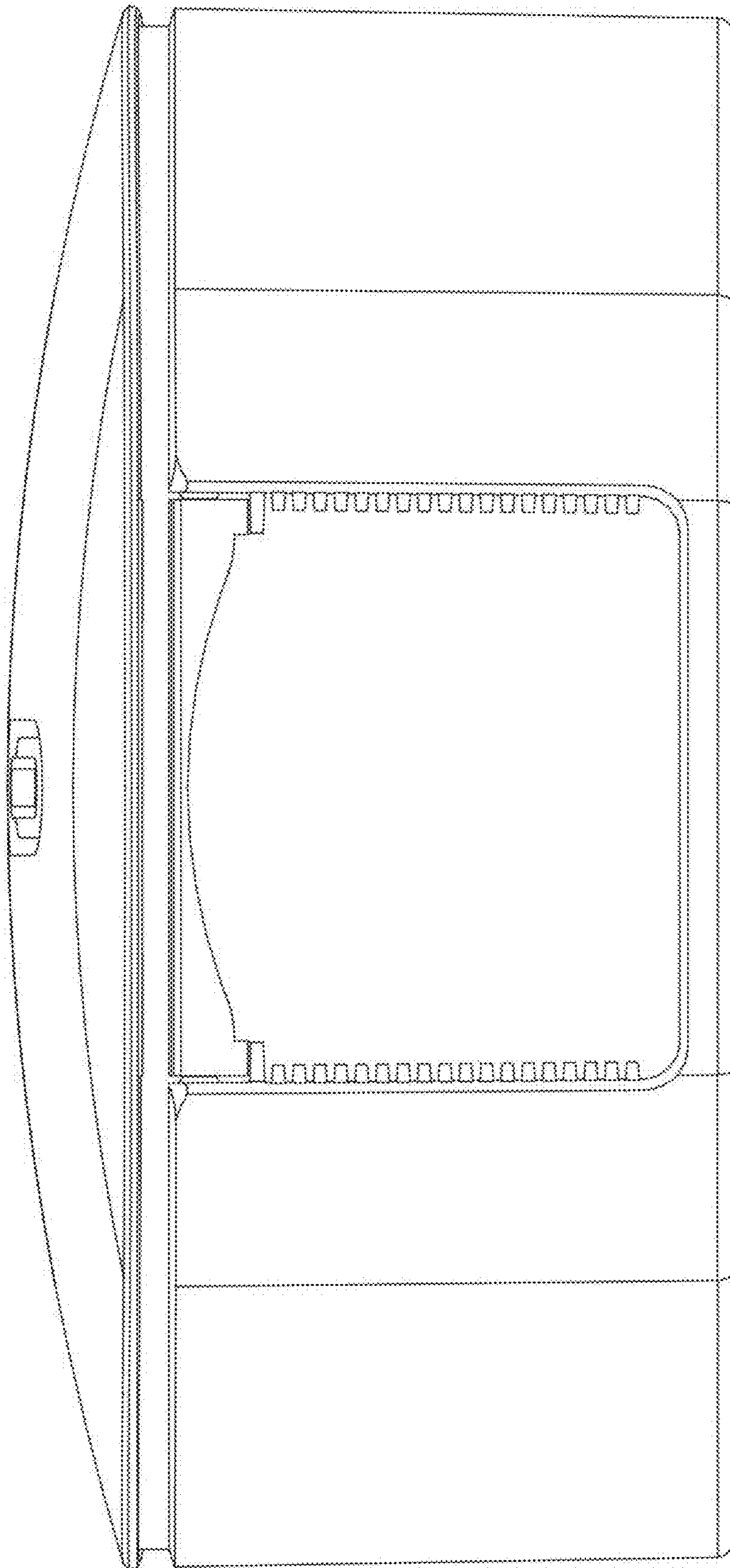


FIG. 3

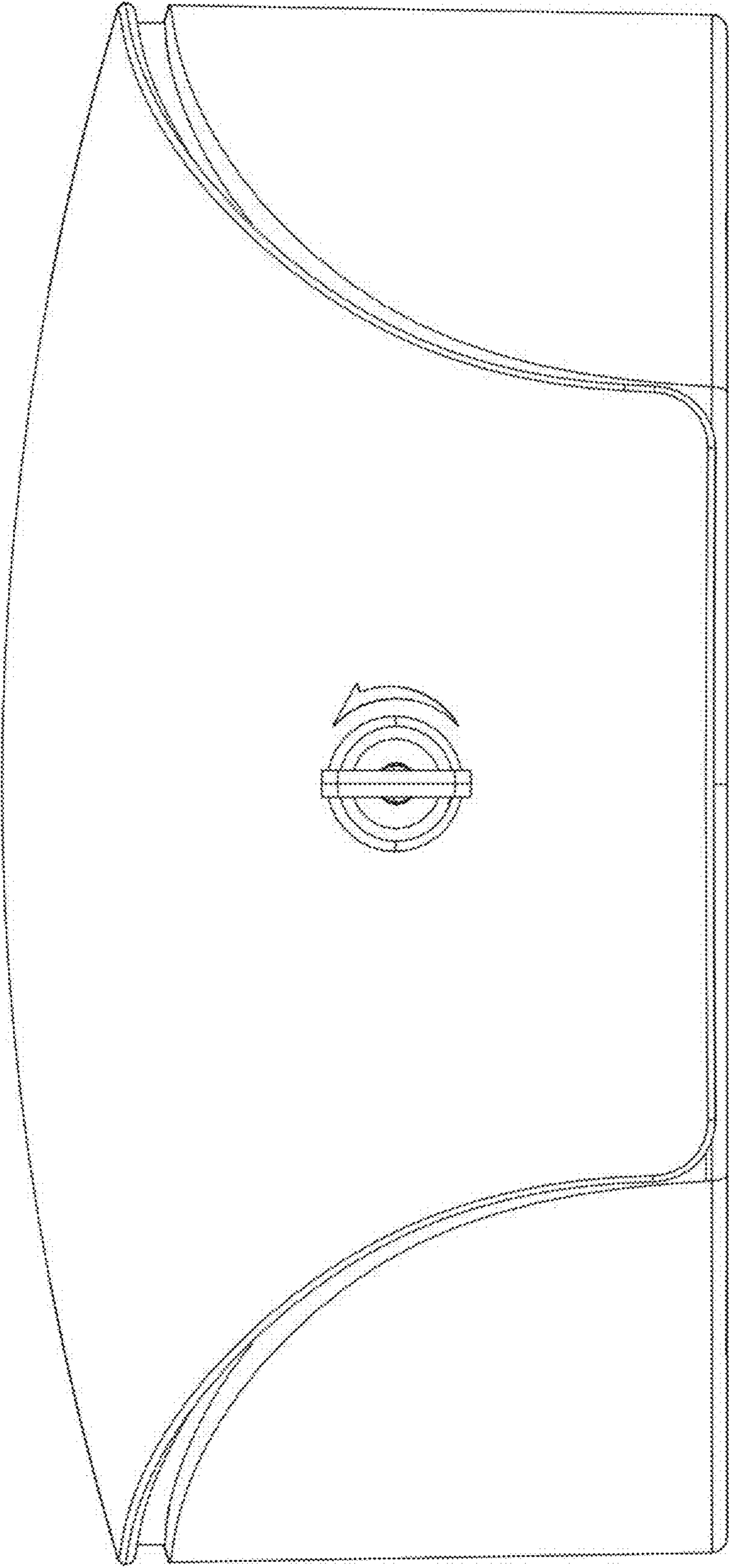


FIG. 4

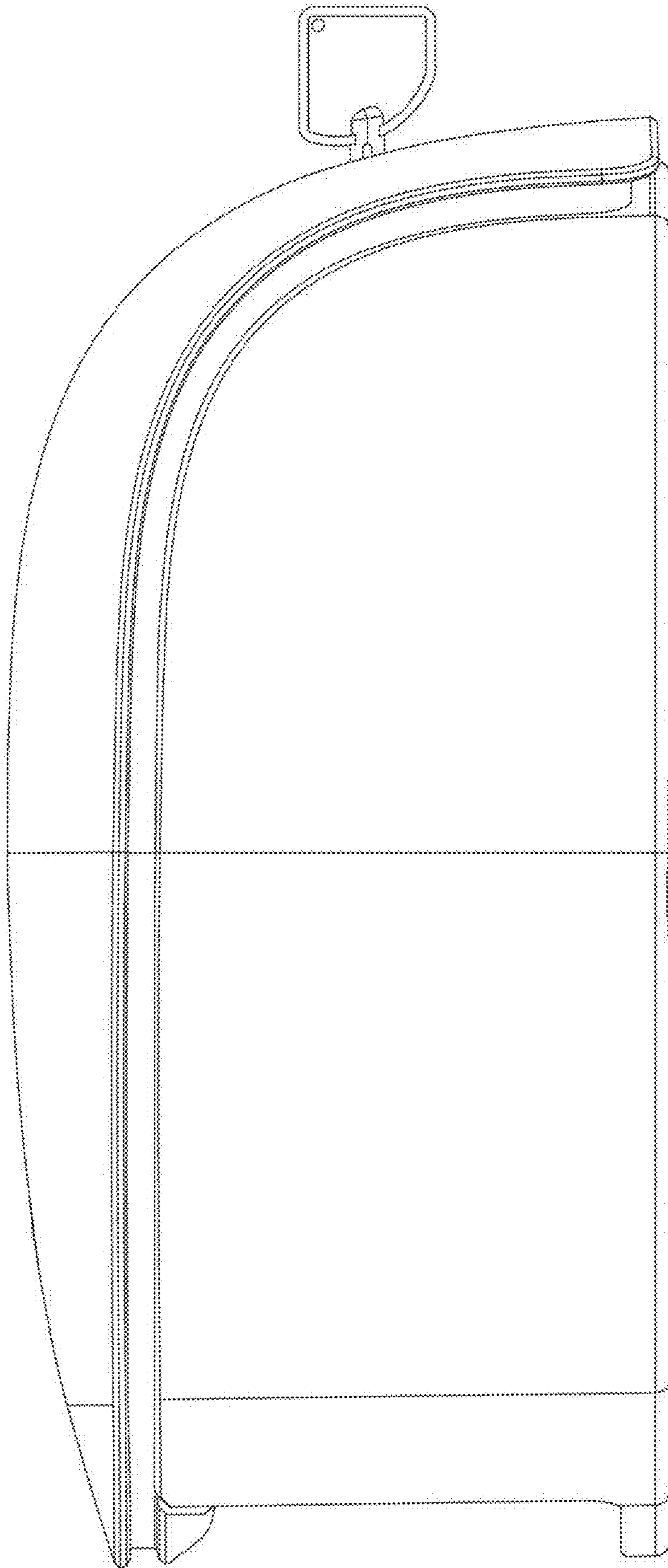


FIG. 5

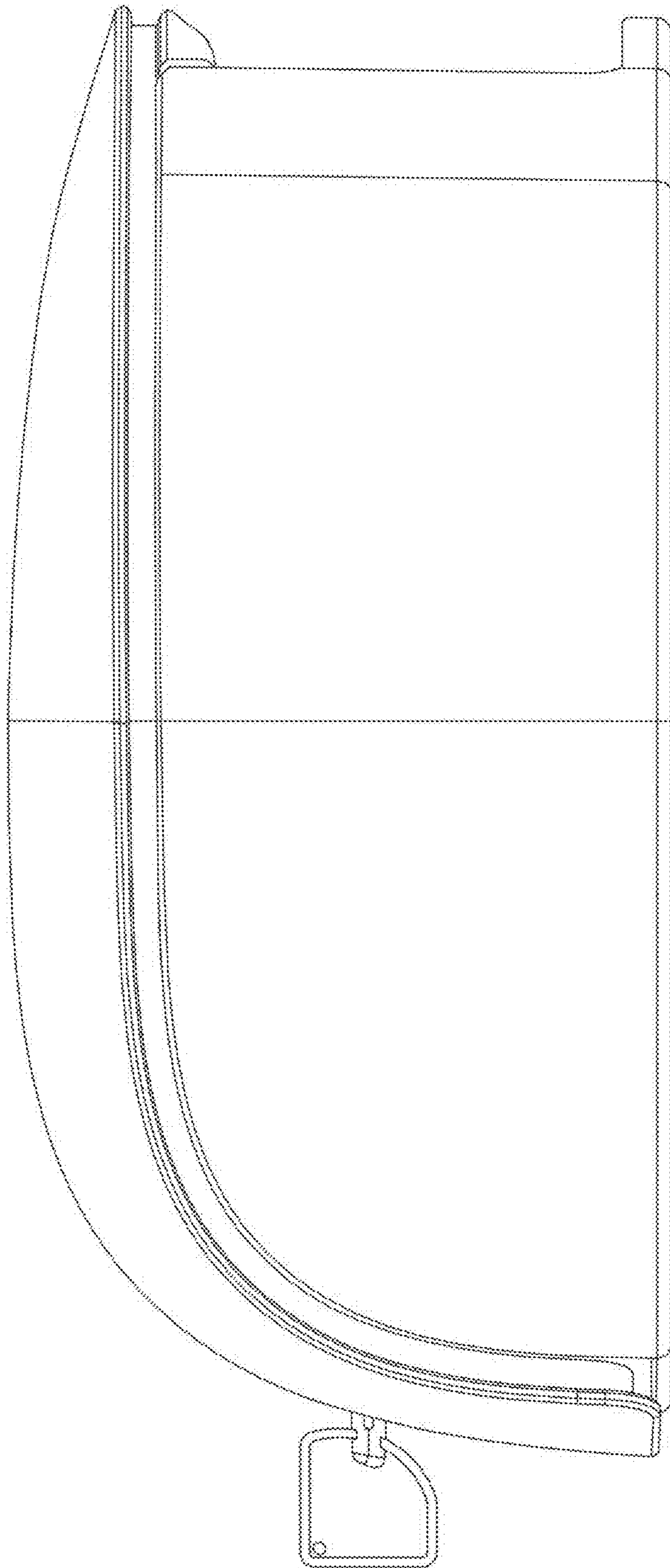


FIG. 6

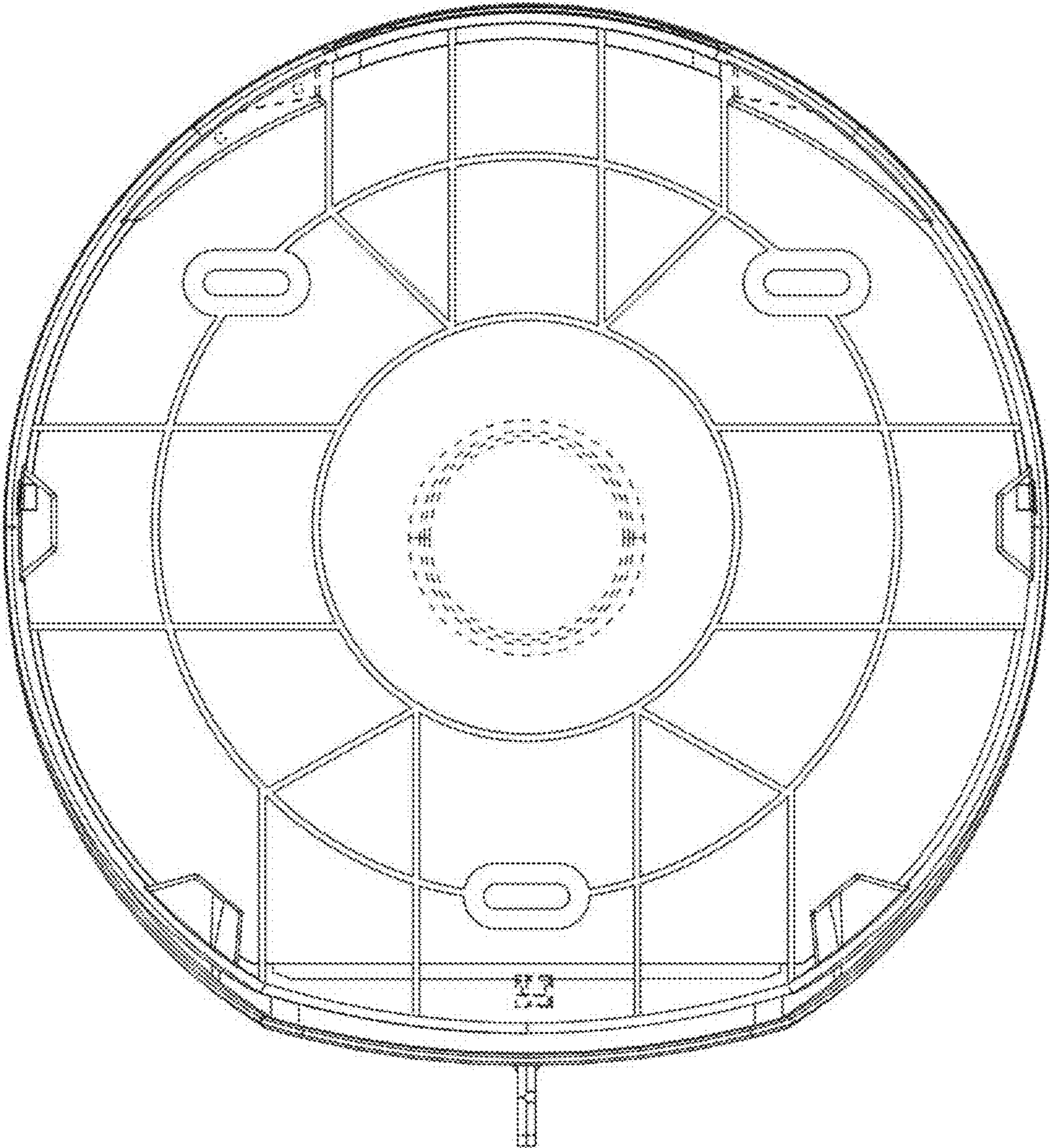


FIG. 7

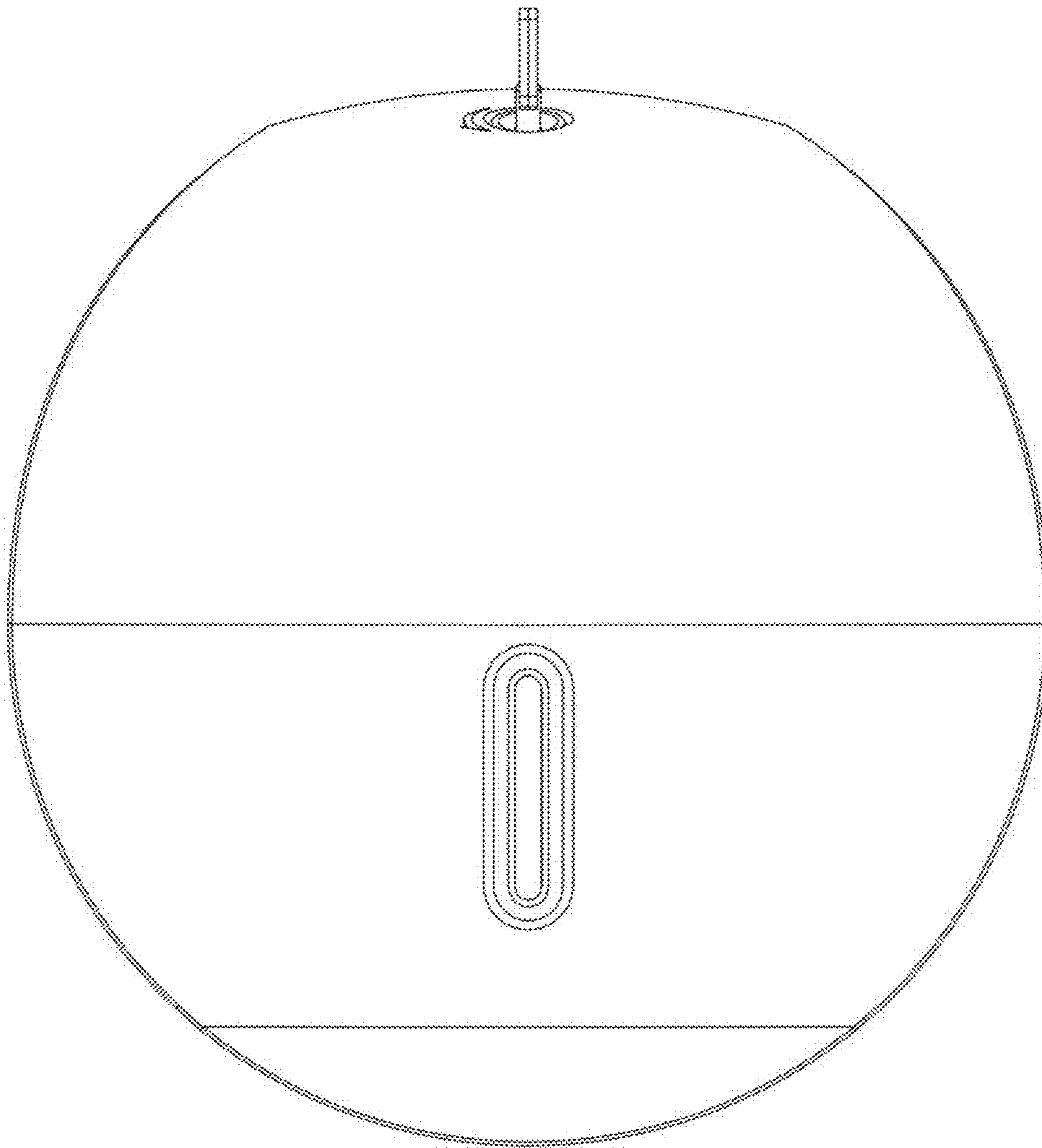


FIG. 8