



US00D880891S

(12) **United States Design Patent**
Zhou

(10) **Patent No.:** **US D880,891 S**

(45) **Date of Patent:** **** Apr. 14, 2020**

- (54) **NAPKIN HOLDER**
- (71) Applicant: **Suzhou Ewayt Network Technology Co., Ltd., Suzhou (CN)**
- (72) Inventor: **Min Zhou, Suzhou (CN)**
- (73) Assignee: **Suzhou Ewayt Network Technology Co., Ltd., Suzhou (CN)**
- (**) Term: **15 Years**
- (21) Appl. No.: **29/714,584**
- (22) Filed: **Nov. 25, 2019**
- (51) **LOC (12) Cl.** **20-02**
- (52) **U.S. Cl.**
USPC **D6/521**
- (58) **Field of Classification Search**
USPC D6/518-523; 206/389, 391; 211/13.1, 211/59.1, 45, 890.1; 242/570, 590, 242/597.7; 248/309.1, 309.2
CPC A47K 10/04; A47K 10/02; A47K 10/10; A47K 10/3836; A47K 2010/324; A47K 2010/389; B08B 1/006
See application file for complete search history.

- D522,293 S 6/2006 Yang et al.
- D523,672 S 6/2006 Yang et al.
- D528,836 S * 9/2006 Petersen-Rutten D6/521
- D530,549 S 10/2006 Yang et al.
- D550,488 S * 9/2007 Nip D6/521
- D555,953 S * 11/2007 Vordenberg D6/521
- D563,130 S 3/2008 Griffith
- D577,527 S 9/2008 Yu
- D713,166 S * 9/2014 Miller D6/521
- D720,153 S * 12/2014 Murphy D6/521

* cited by examiner

Primary Examiner — Wan Laymon
Assistant Examiner — Mark Booker
(74) *Attorney, Agent, or Firm* — ScienBiziP, P.C.

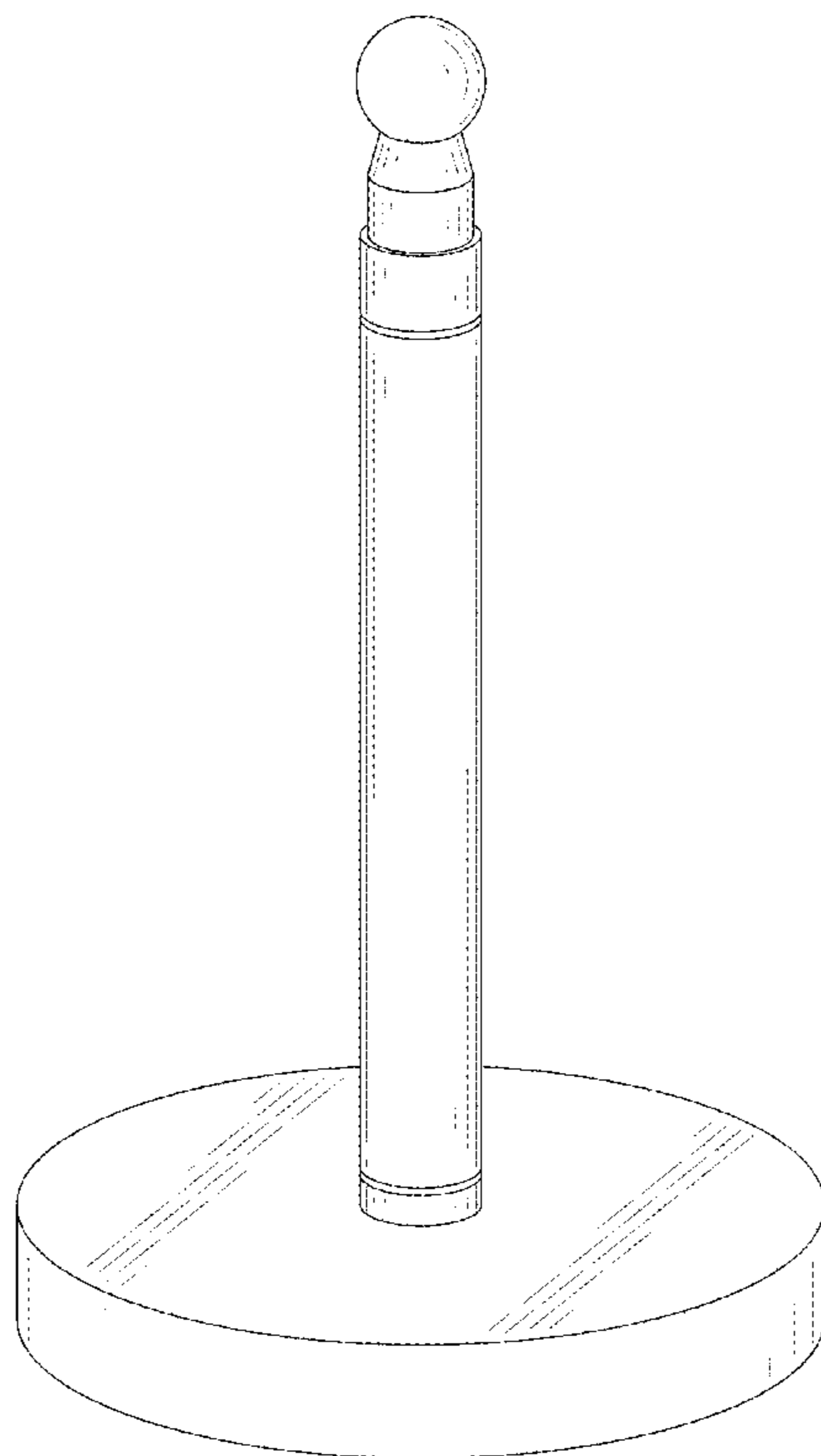
(57) **CLAIM**
The ornamental design for a napkin holder, as shown and described.

DESCRIPTION

FIG. 1 is a front perspective view of a napkin holder, showing my design.
FIG. 2 is a front elevation view thereof.
FIG. 3 is a rear elevation view thereof.
FIG. 4 is a left side elevation view thereof.
FIG. 5 is a right side elevation view thereof.
FIG. 6 is a top plan view thereof.
FIG. 7 is a bottom plan view thereof; and,
FIG. 8 is a perspective view, shown in an unfolded state of the napkin holder.
The broken lines shown in the figures represent portions of the napkin holder that form no part of the claimed design.

1 Claim, 8 Drawing Sheets

- (56) **References Cited**
U.S. PATENT DOCUMENTS
D298,597 S * 11/1988 Bell D6/521
D479,072 S 9/2003 Duncan et al.
D489,558 S * 5/2004 Snell D6/521
D499,916 S 12/2004 Yang et al.



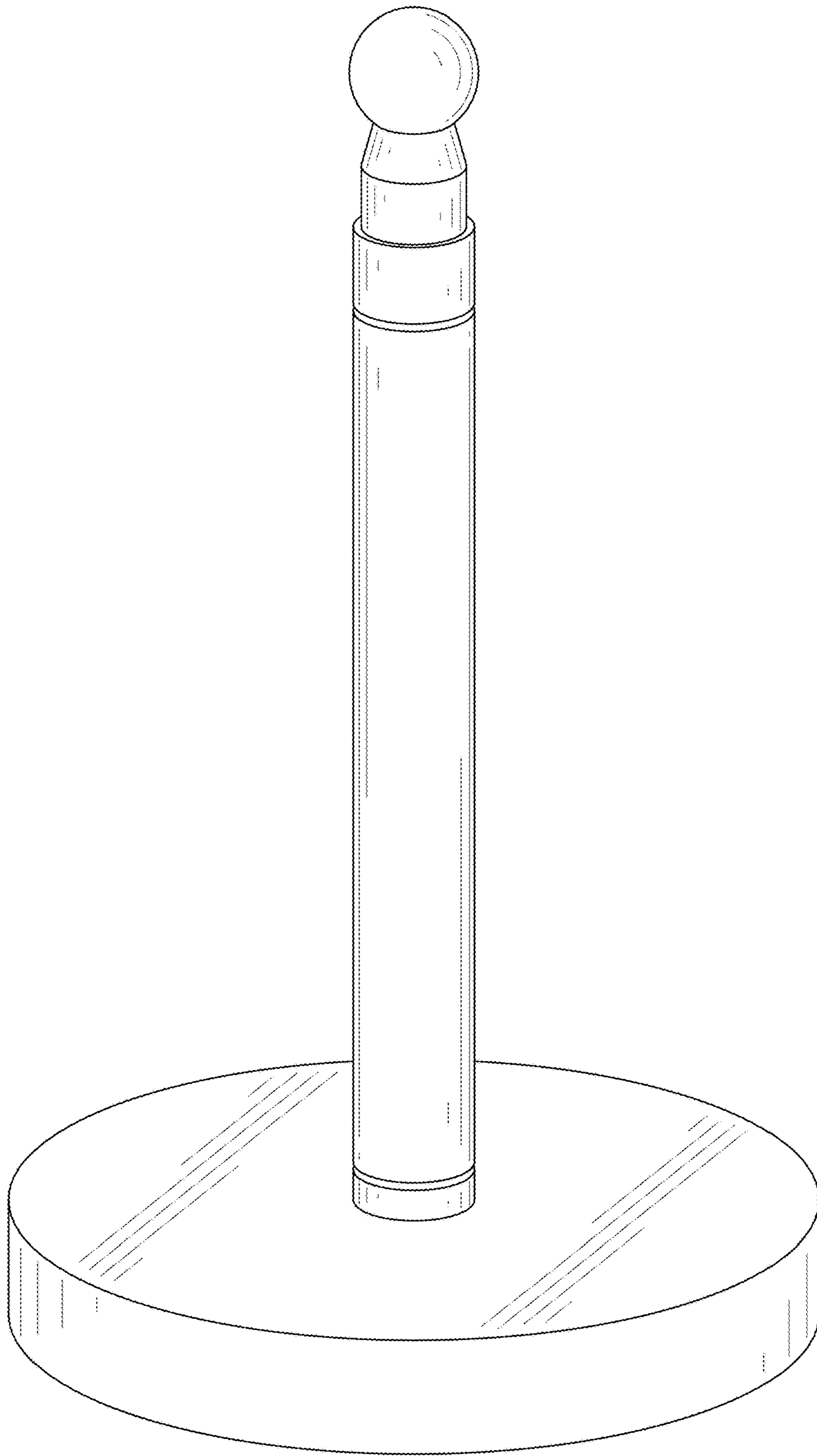


FIG. 1

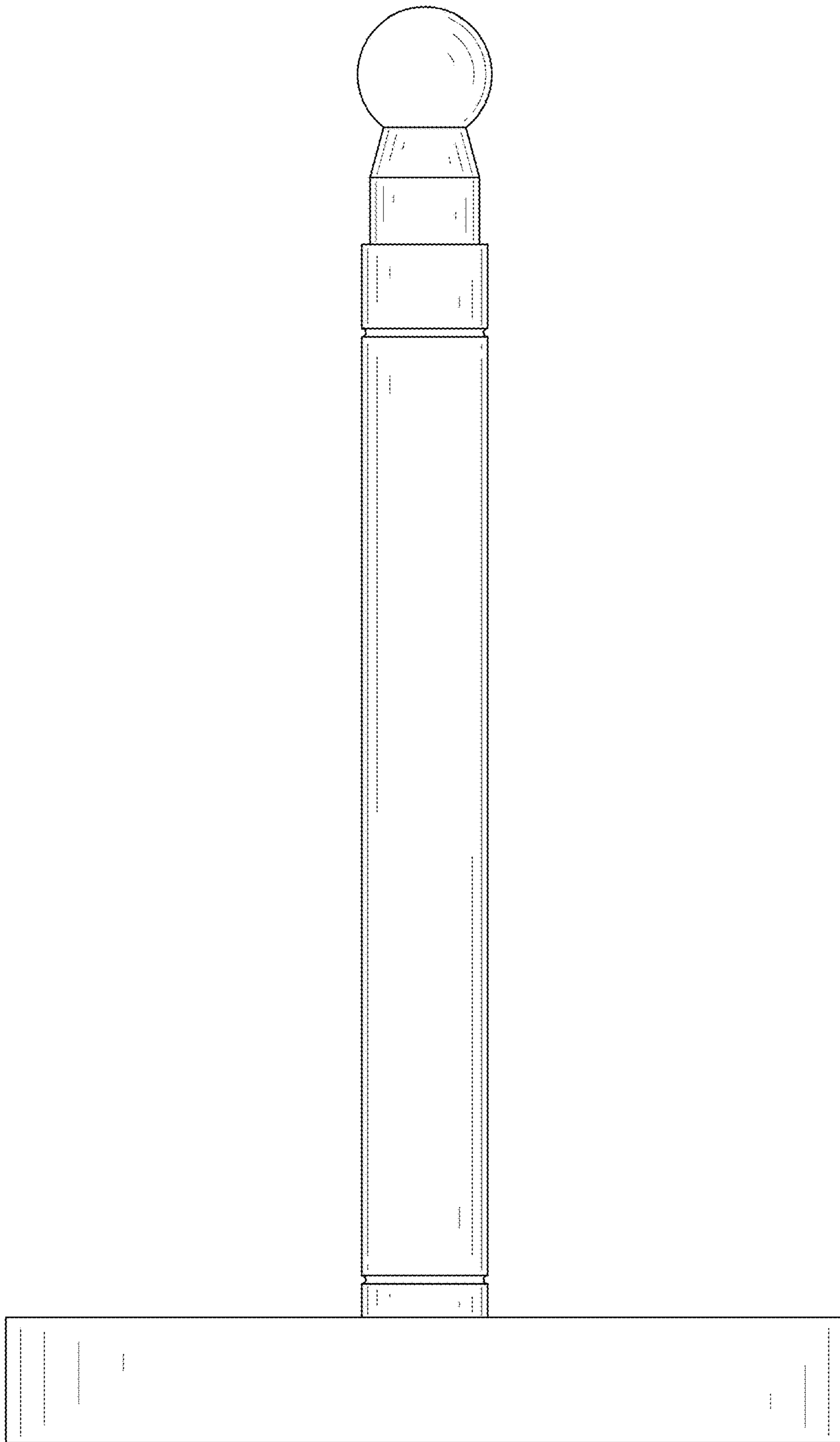


FIG. 2

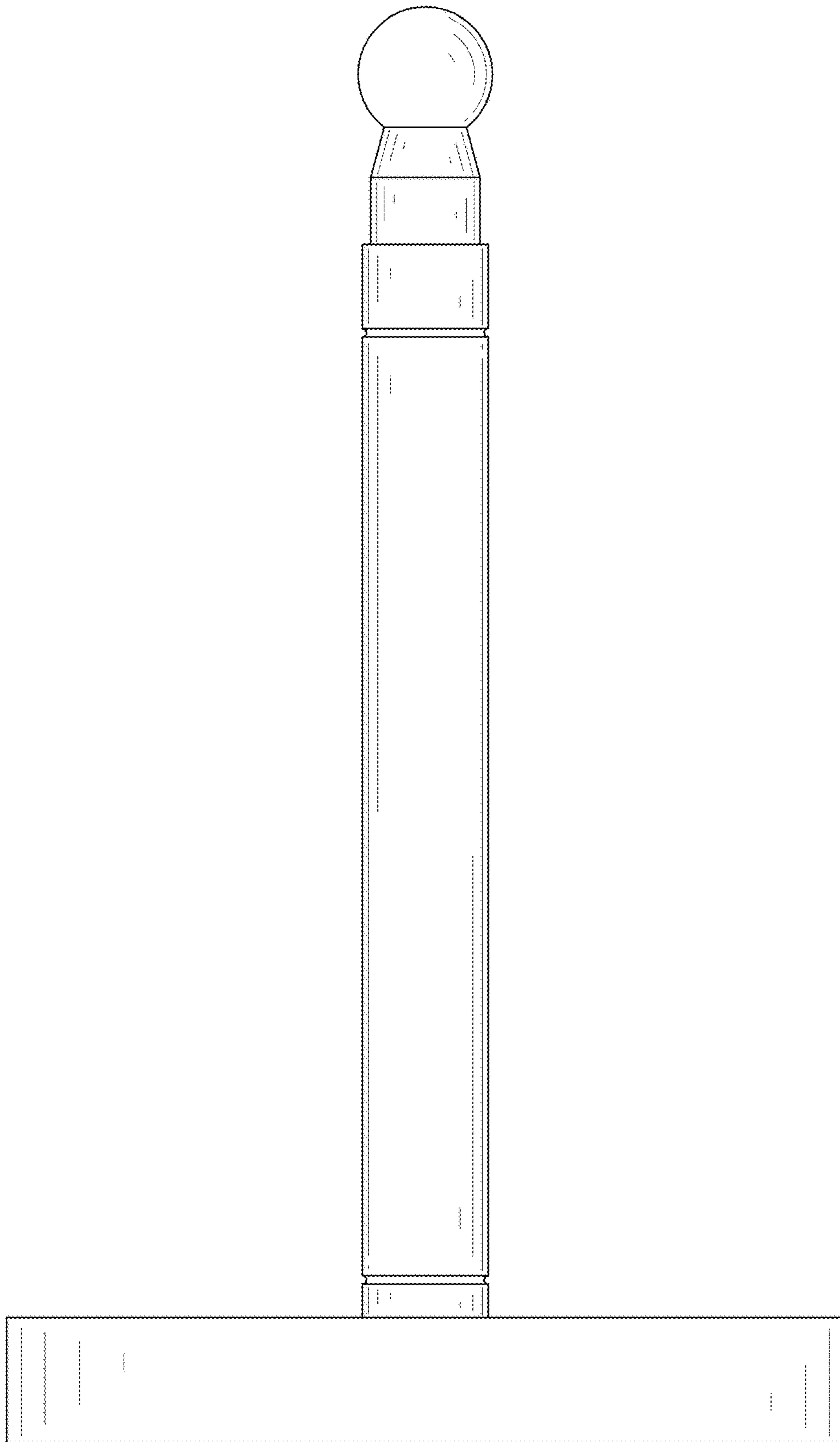


FIG. 3

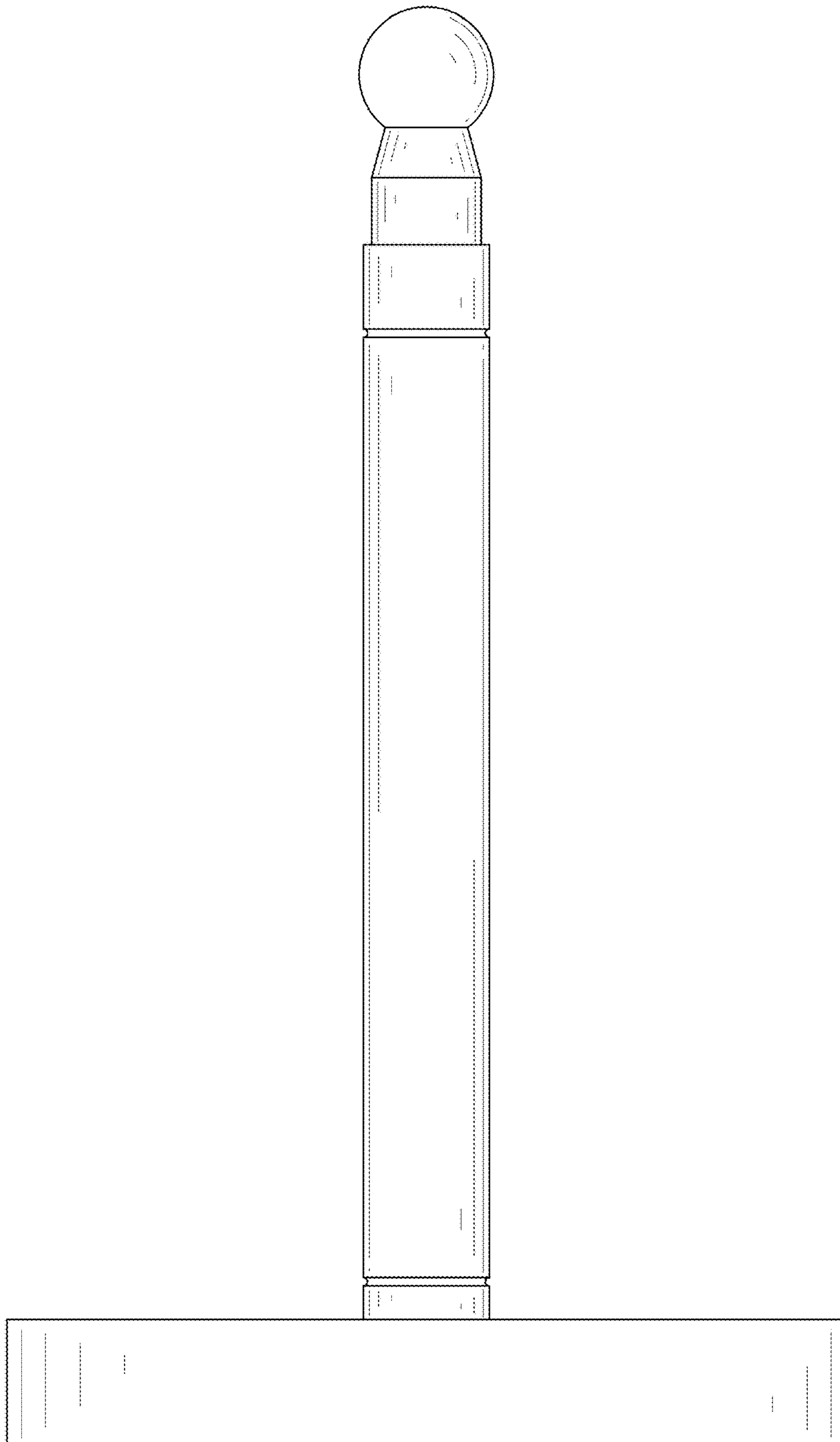


FIG. 4

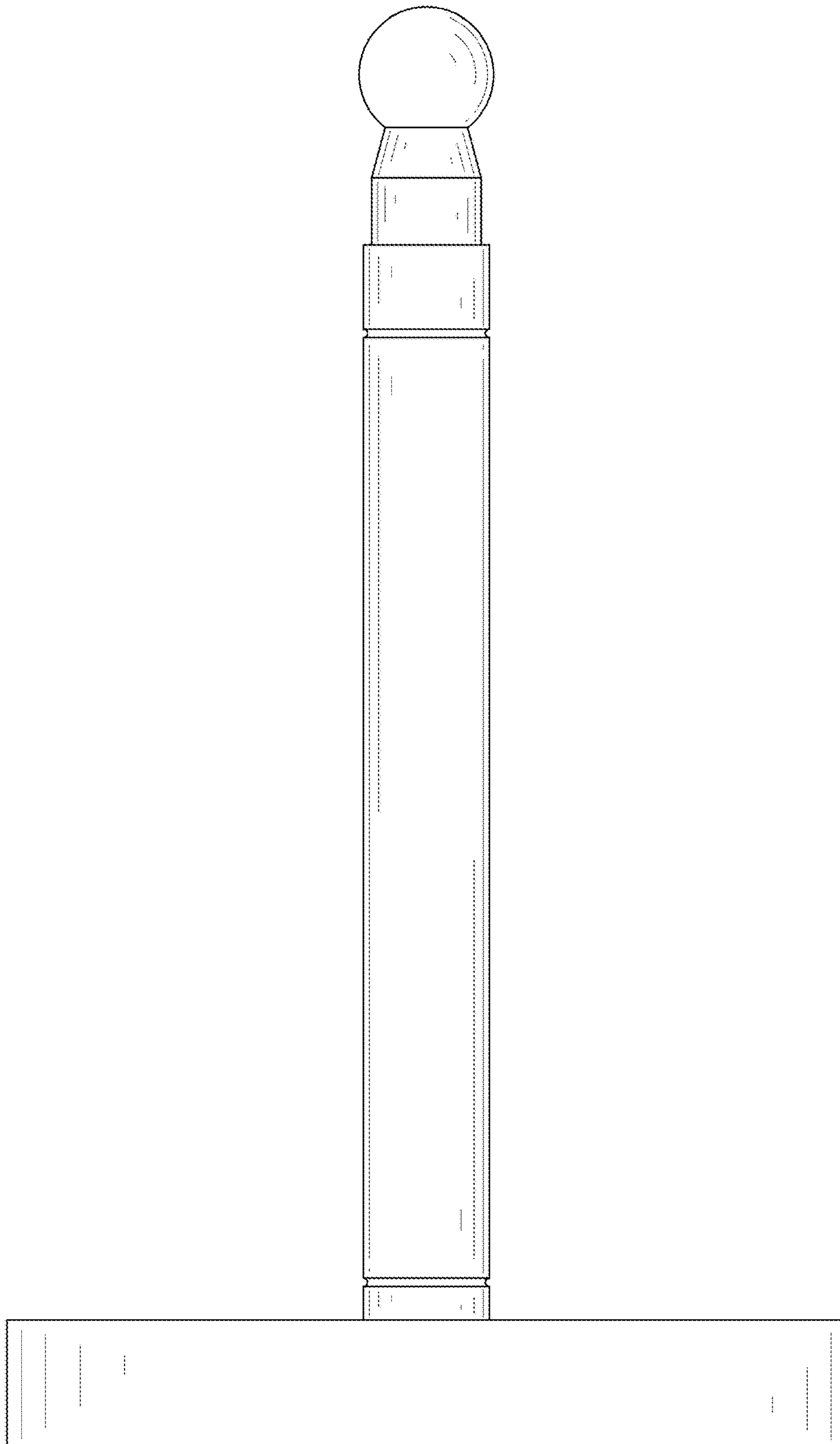


FIG. 5

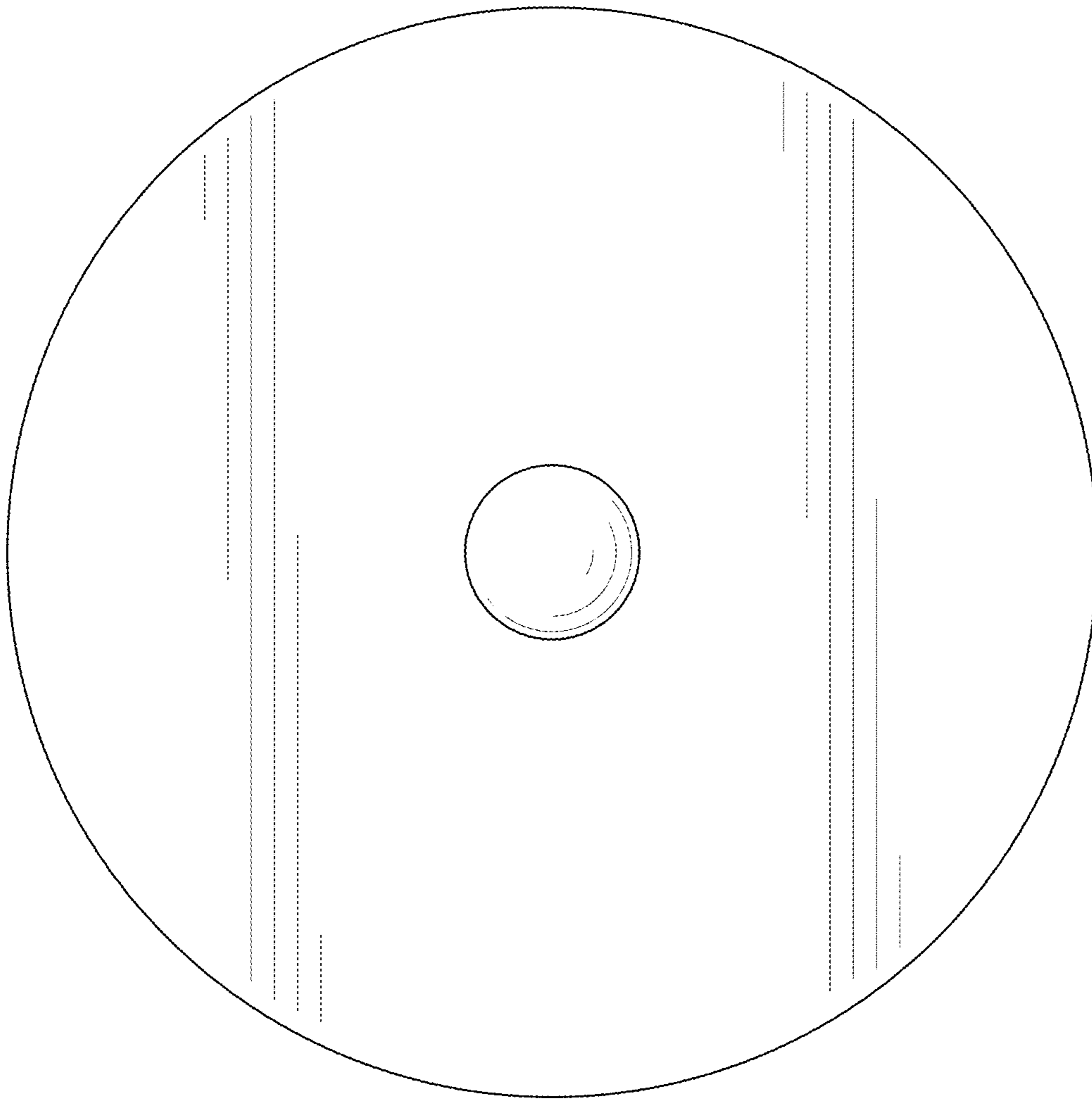


FIG. 6

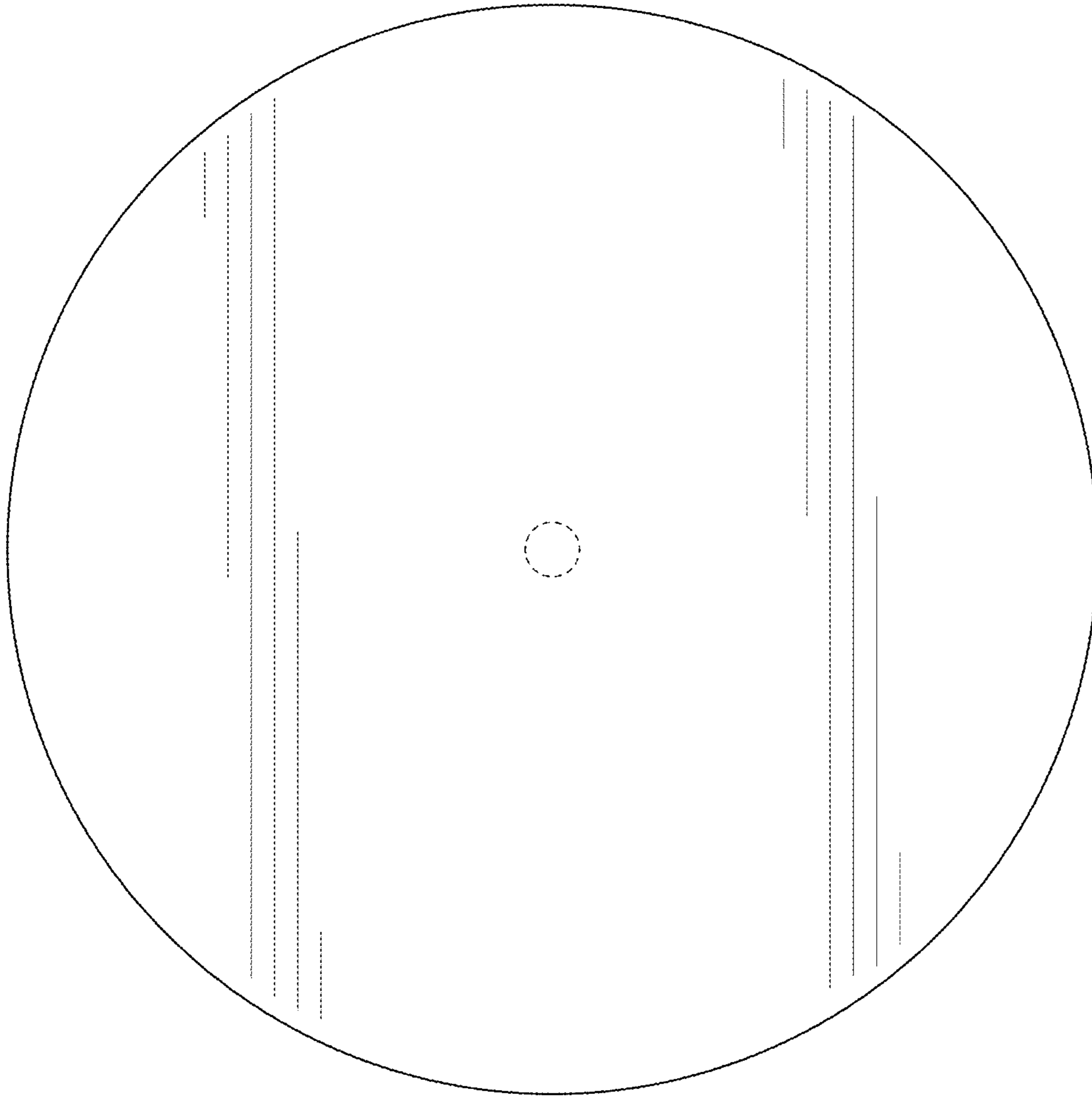


FIG. 7

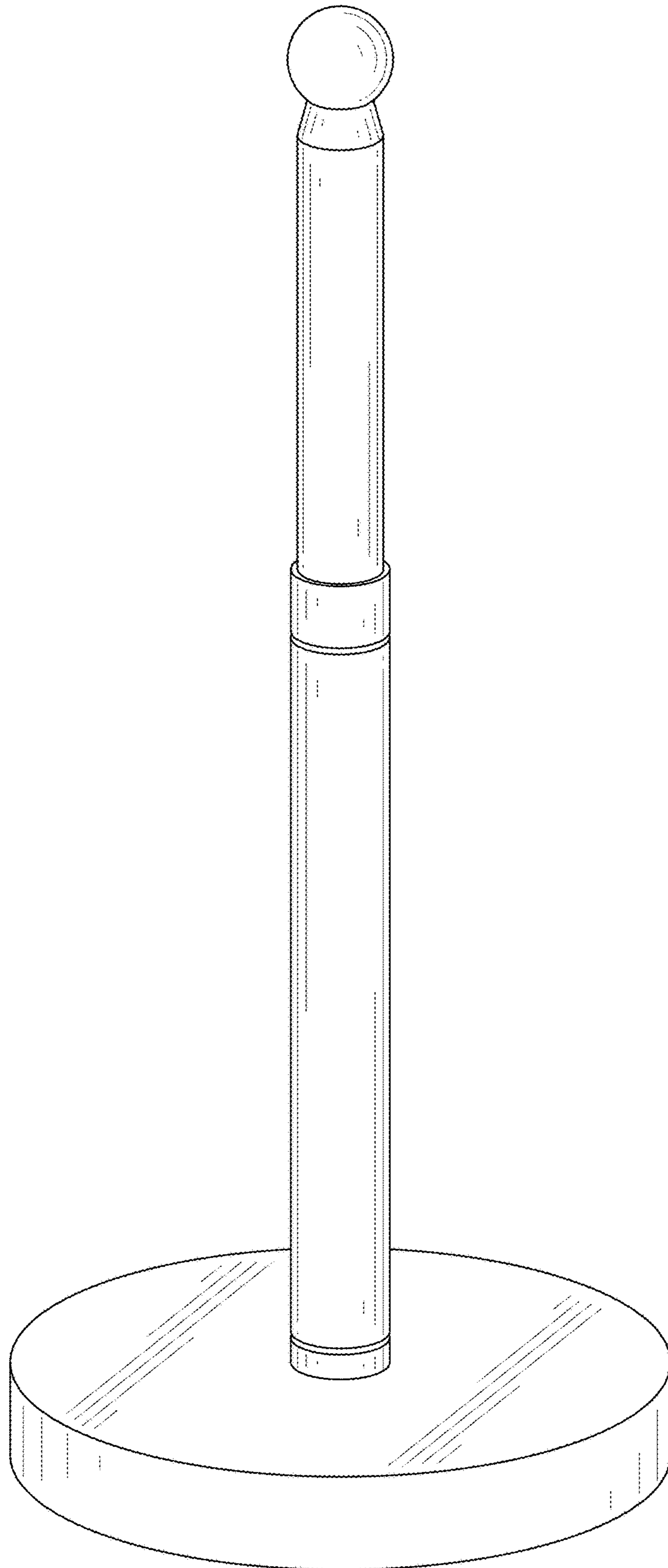


FIG. 8