



US00D880890S

(12) **United States Design Patent** (10) **Patent No.:** **US D880,890 S**
Ellison-Smith (45) **Date of Patent:** **** Apr. 14, 2020**

(54) **PAPER TOWEL ROLL HOLDING STAND**
(71) Applicant: **Vernell Ellison-Smith**, Skokie, IL (US)
(72) Inventor: **Vernell Ellison-Smith**, Skokie, IL (US)

6,988,691 B1 1/2006 Lai
D520,281 S 5/2006 Lin
D521,287 S * 5/2006 Mellen D6/521
D523,672 S * 6/2006 Yang D6/521
2002/0166928 A1 11/2002 Johnson
2009/0045083 A1 2/2009 Vaults, Jr.

(**) Term: **15 Years**

FOREIGN PATENT DOCUMENTS

(21) Appl. No.: **29/669,955**

GB 389009 3/1933

(22) Filed: **Nov. 13, 2018**

* cited by examiner

(51) **LOC (12) Cl.** **06-06**

Primary Examiner — Wan Laymon

(52) **U.S. Cl.**

Assistant Examiner — Mark Booker

USPC **D6/521**

(58) **Field of Classification Search**

(57) **CLAIM**

USPC D6/521, 518–520, 522–523; 206/389,
206/391; 211/13.1, 59.1, 45, 890.1, 16,
211/85.5, 86.01, 87.01, 88.04, 100, 105.1,
211/105.2, 106, 113, 123, 181.1,
211/182–183; 242/570, 590, 597.7,
242/309.1, 309.2; D8/300, 370, 315;
108/28–29

I claim the ornamental design for a paper towel roll holding stand, as shown and described.

CPC A47K 10/3836; A47K 2010/3863; B26F
3/02; Y10T 225/282

DESCRIPTION

See application file for complete search history.

FIG. 1 is a front view of the paper towel roll holding stand.
FIG. 2 is a rear view of the claimed design.
FIG. 3 is a right side view of the claimed design.
FIG. 4 is a left side view of the claimed design.
FIG. 5 is a top view of the claimed design.
FIG. 6 is a bottom view of the claimed design.
FIG. 7 is a perspective view of the claimed design; and,
FIG. 8 is a perspective view of the claimed design in use with a roll of paper towels.

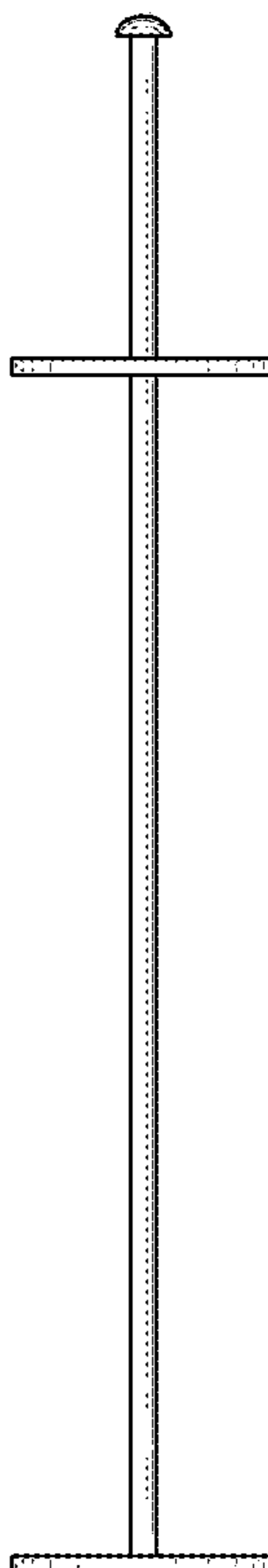
(56) **References Cited**

U.S. PATENT DOCUMENTS

D298,597 S * 11/1988 Bell D6/521
D472,086 S 3/2003 Pruitt
D474,360 S * 5/2003 Yip D6/521
6,698,683 B2 3/2004 Young

The broken lines appearing on FIG. 8 of a roll of paper towels are environmental matter forming no part of the claimed design.

1 Claim, 3 Drawing Sheets



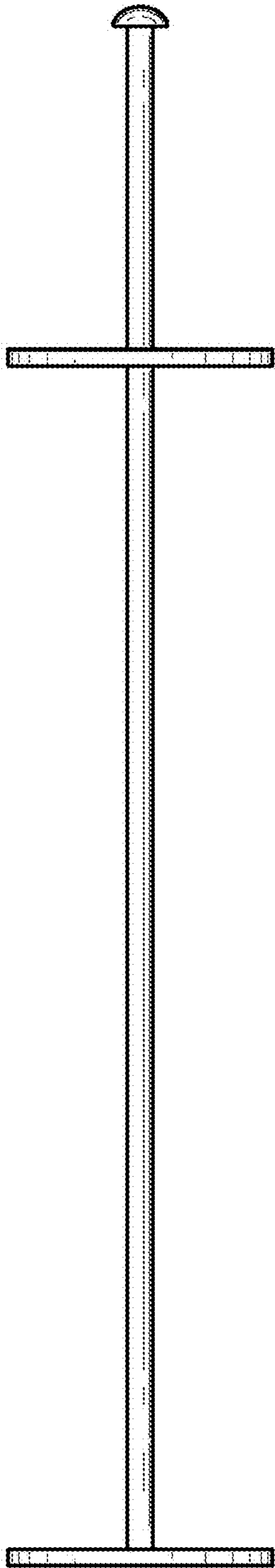


FIG. 1

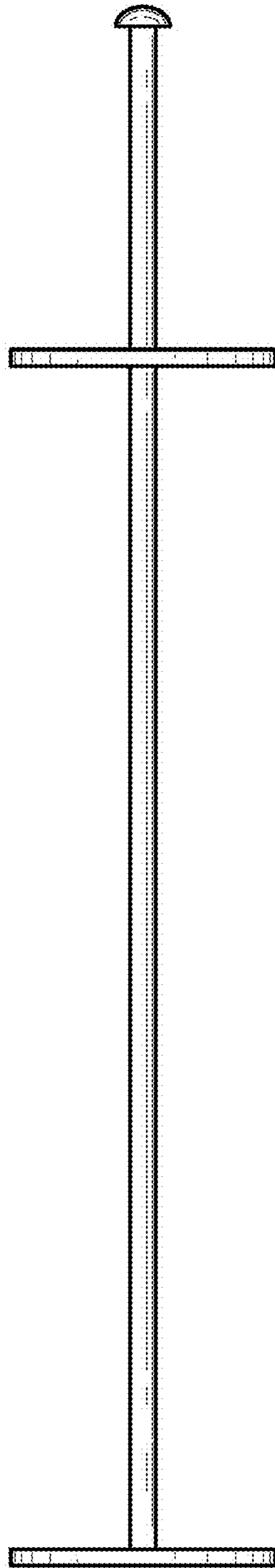


FIG. 2

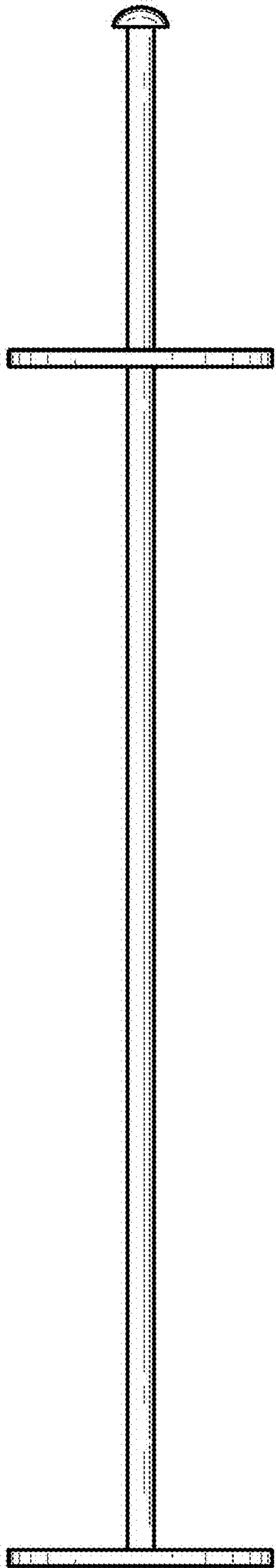


FIG. 3

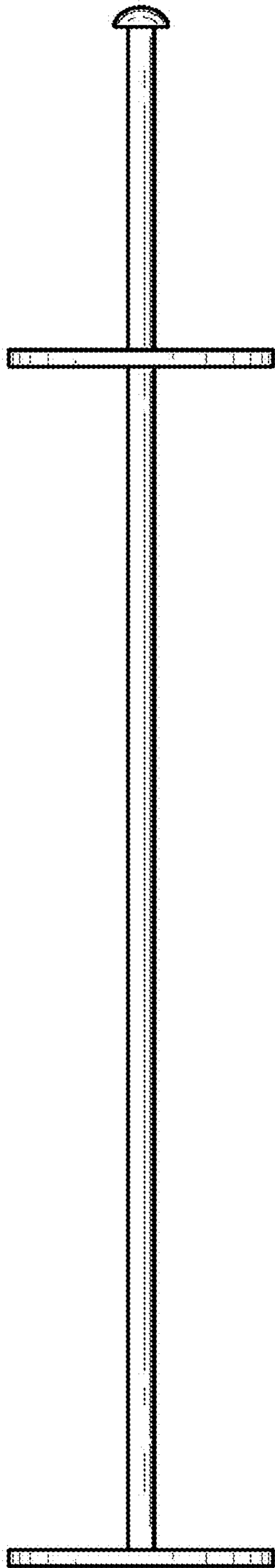


FIG. 4

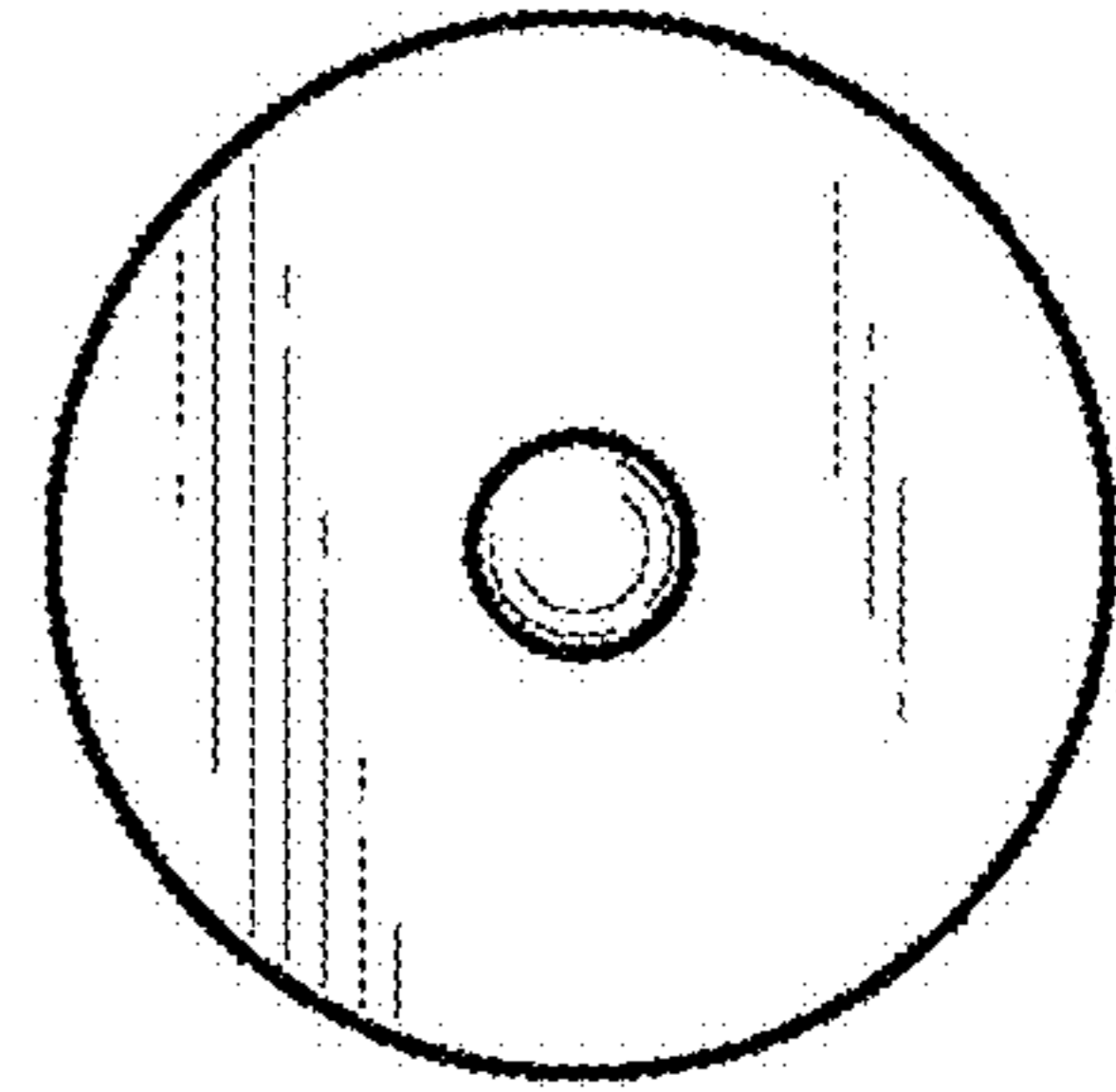


FIG. 5

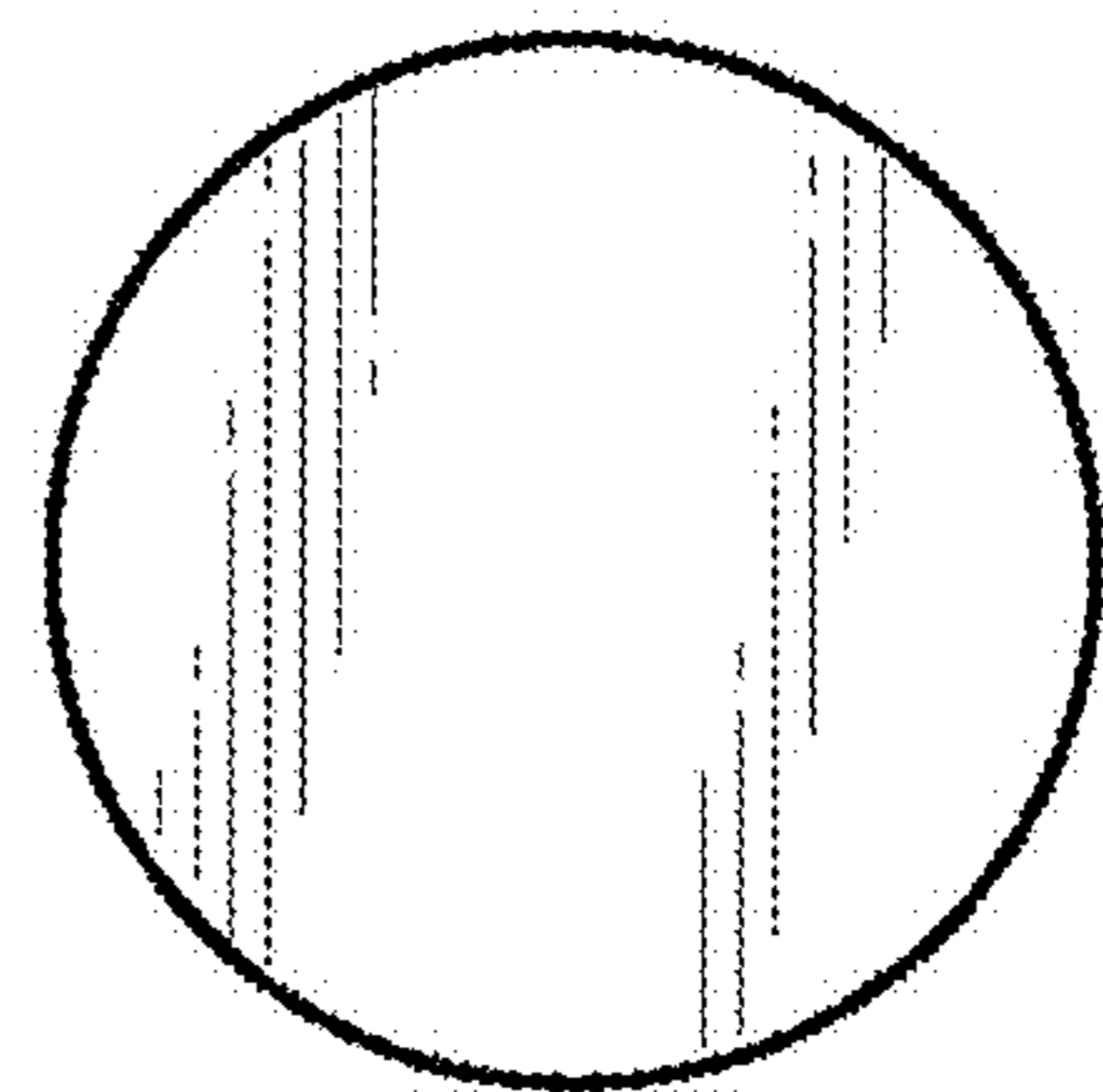


FIG. 6

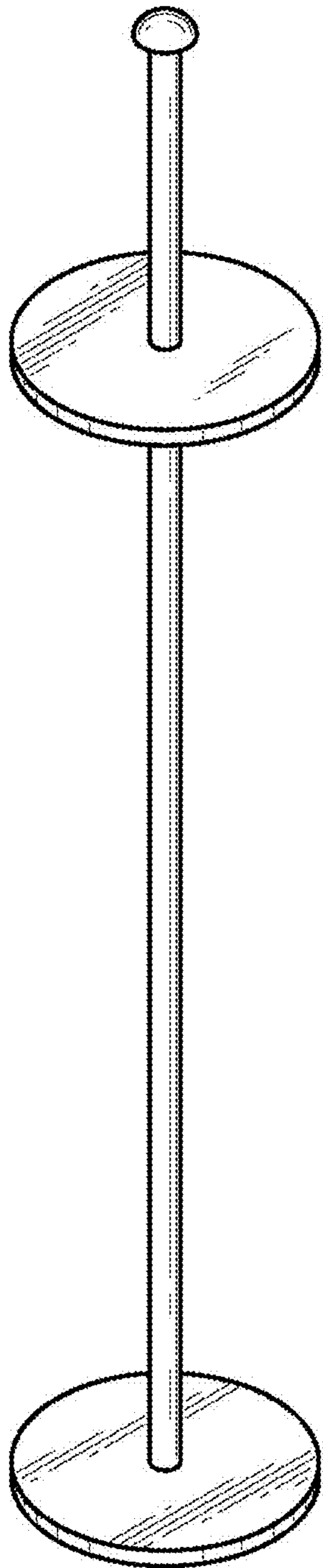


FIG. 7

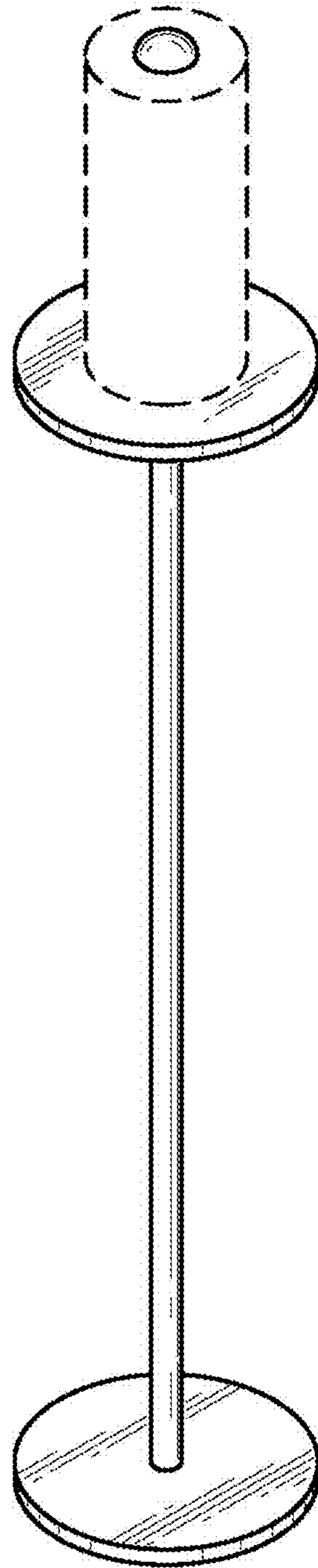


FIG. 8