



US00D880884S

(12) **United States Design Patent**
Li

(10) **Patent No.:** **US D880,884 S**

(45) **Date of Patent:** **** Apr. 14, 2020**

- (54) **SWIVEL CHAIR**
- (71) Applicant: **Homy Casa Limited**, Hong Kong (HK)
- (72) Inventor: **YueHai Li**, Guangzhou (CN)
- (73) Assignee: **HOMY CASA LIMITED**, Sheung Wan (HK)
- (**) Term: **15 Years**

D330,810 S *	11/1992	Stafford	D6/366
D348,786 S *	7/1994	Tolleson	D6/366
D401,428 S *	11/1998	Kaczmarek	D6/366
D403,519 S *	1/1999	Stafford	D6/366
D408,164 S *	4/1999	Popham	D6/366
D414,950 S *	10/1999	James	D6/366
D443,991 S *	6/2001	Picotti	D6/366
D683,171 S *	5/2013	Kubryk	D6/716
D758,751 S *	6/2016	Lievore	D6/366
D794,368 S *	8/2017	Swy	D6/716

* cited by examiner

- (21) Appl. No.: **29/624,237**
- (22) Filed: **Oct. 31, 2017**
- (51) **LOC (12) Cl.** **06-01**
- (52) **U.S. Cl.**
USPC **D6/366**
- (58) **Field of Classification Search**
USPC D6/334-336, 364, 365, 366, 371-375,
D6/379, 380, 716, 716.1, 716.2, 716.4
CPC A47C 3/12; A47C 4/02; A47C 4/03; A47C
5/12; A47C 7/18; A47C 7/24; A47C 7/54
See application file for complete search history.

Primary Examiner — Mimosa De
(74) *Attorney, Agent, or Firm* — Hauptman Ham, LLP

(57) **CLAIM**

The ornamental design for a swivel chair, as shown and described.

DESCRIPTION

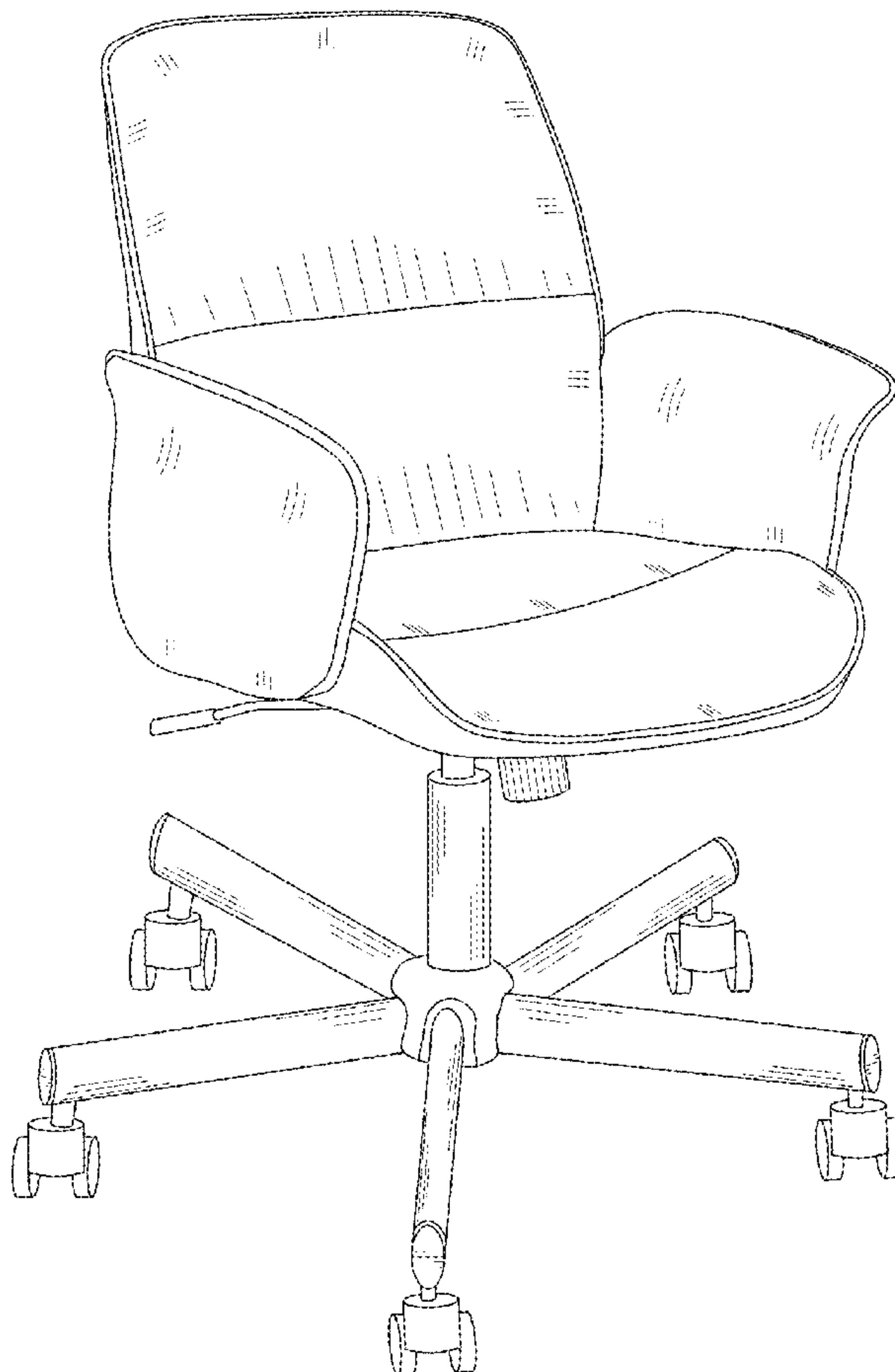
FIG. 1 is a front view of a swivel chair;
FIG. 2 is a back view thereof;
FIG. 3 is a top view thereof;
FIG. 4 is a bottom view thereof;
FIG. 5 is a left side view thereof;
FIG. 6 is a top front left perspective view thereof; and,
FIG. 7 is a right side view thereof.
The broken lines show portions of the swivel chair and form no part of the claimed design.

(56) **References Cited**

U.S. PATENT DOCUMENTS

D245,886 S *	9/1977	Wilson	D6/366
D304,654 S *	11/1989	Stafford	D6/716

1 Claim, 7 Drawing Sheets



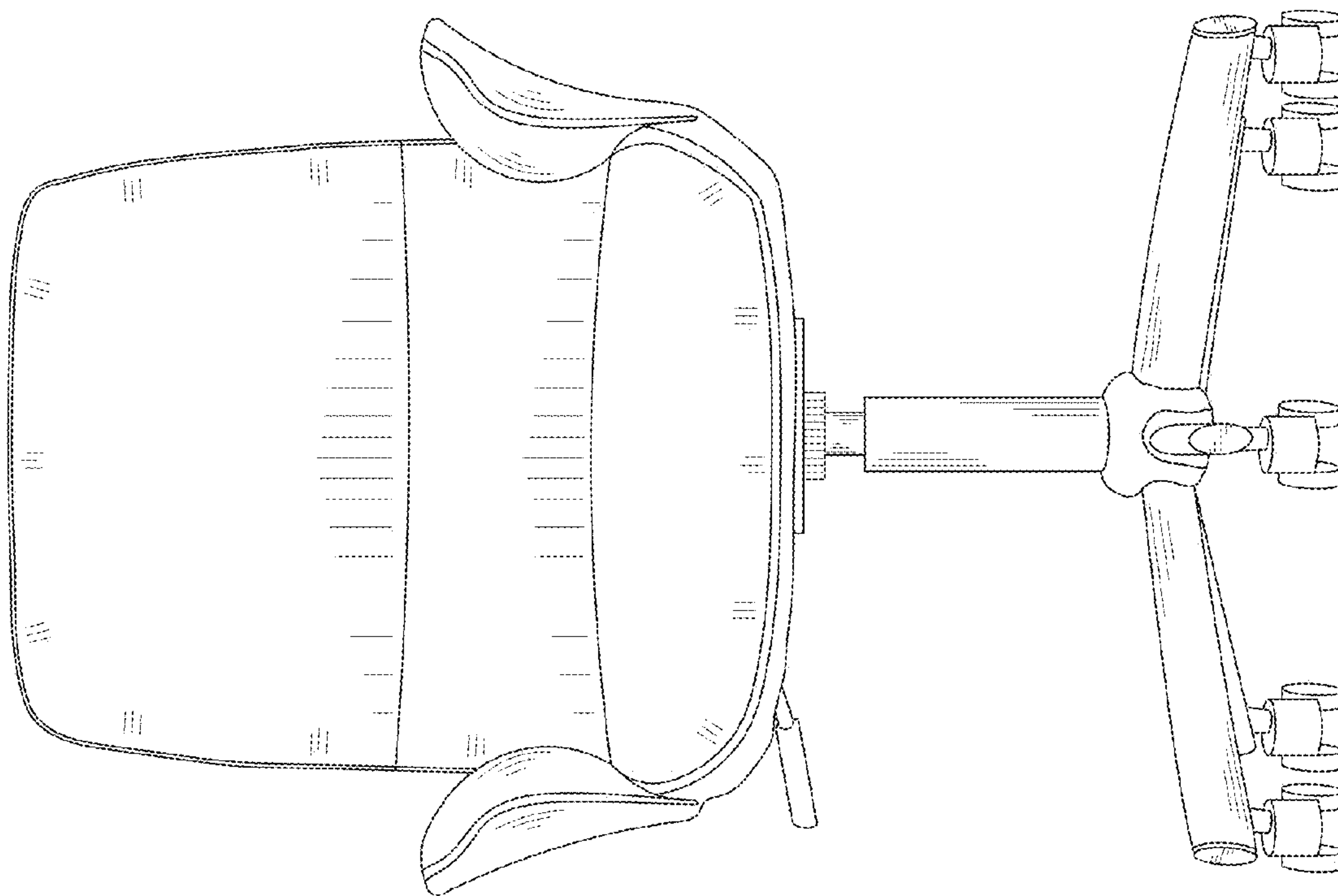


Fig. 1

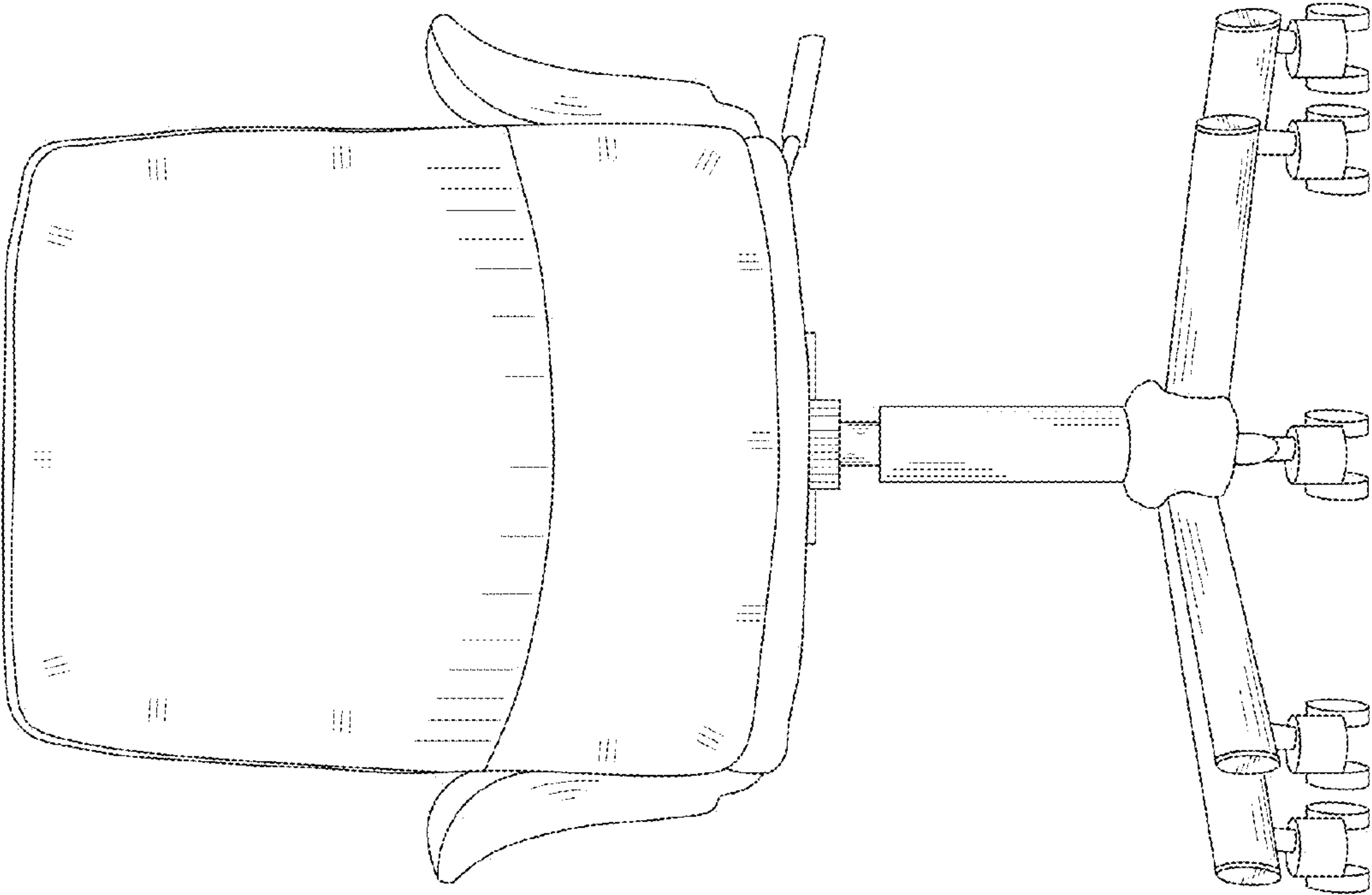


Fig. 2

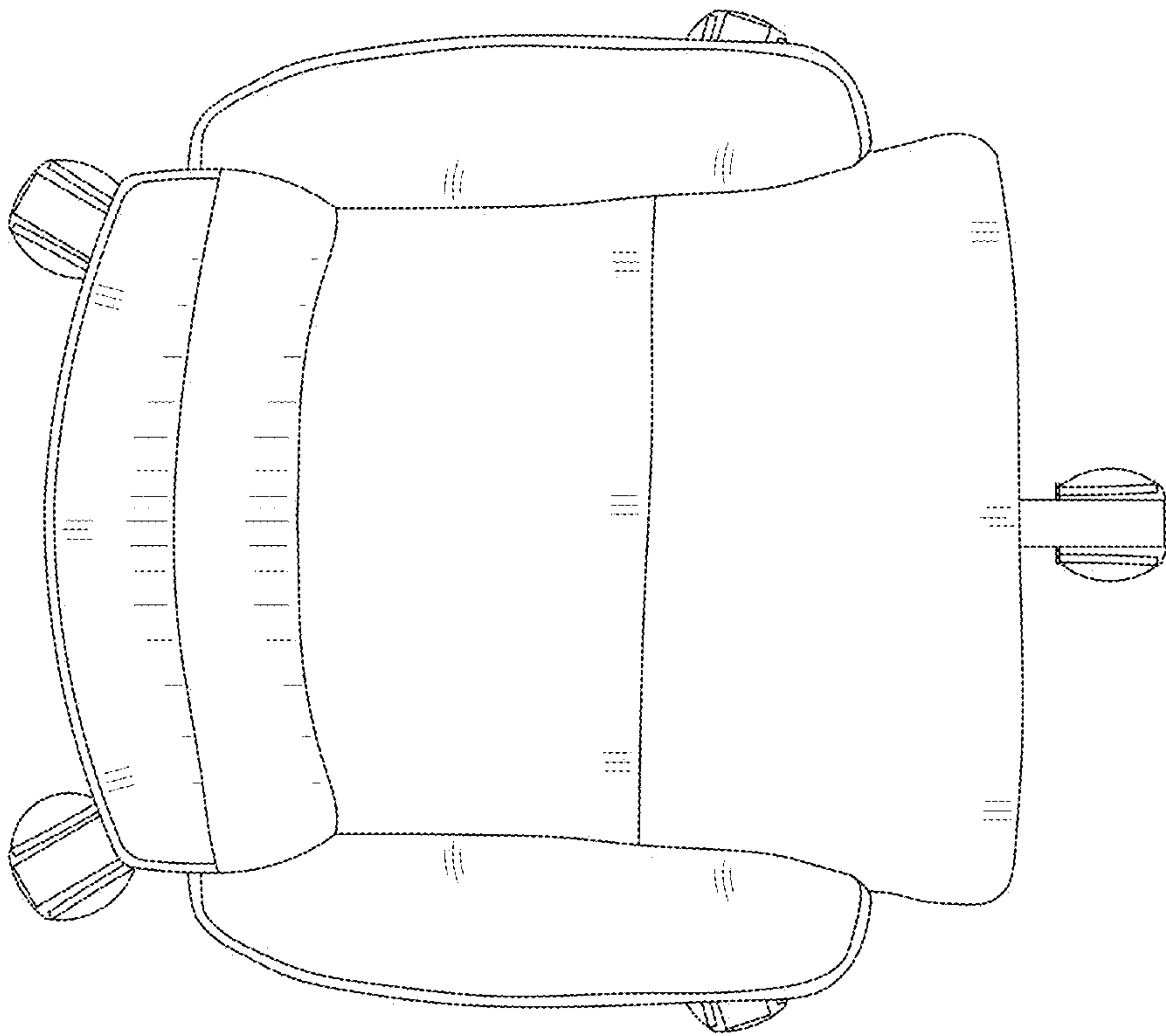


Fig. 3

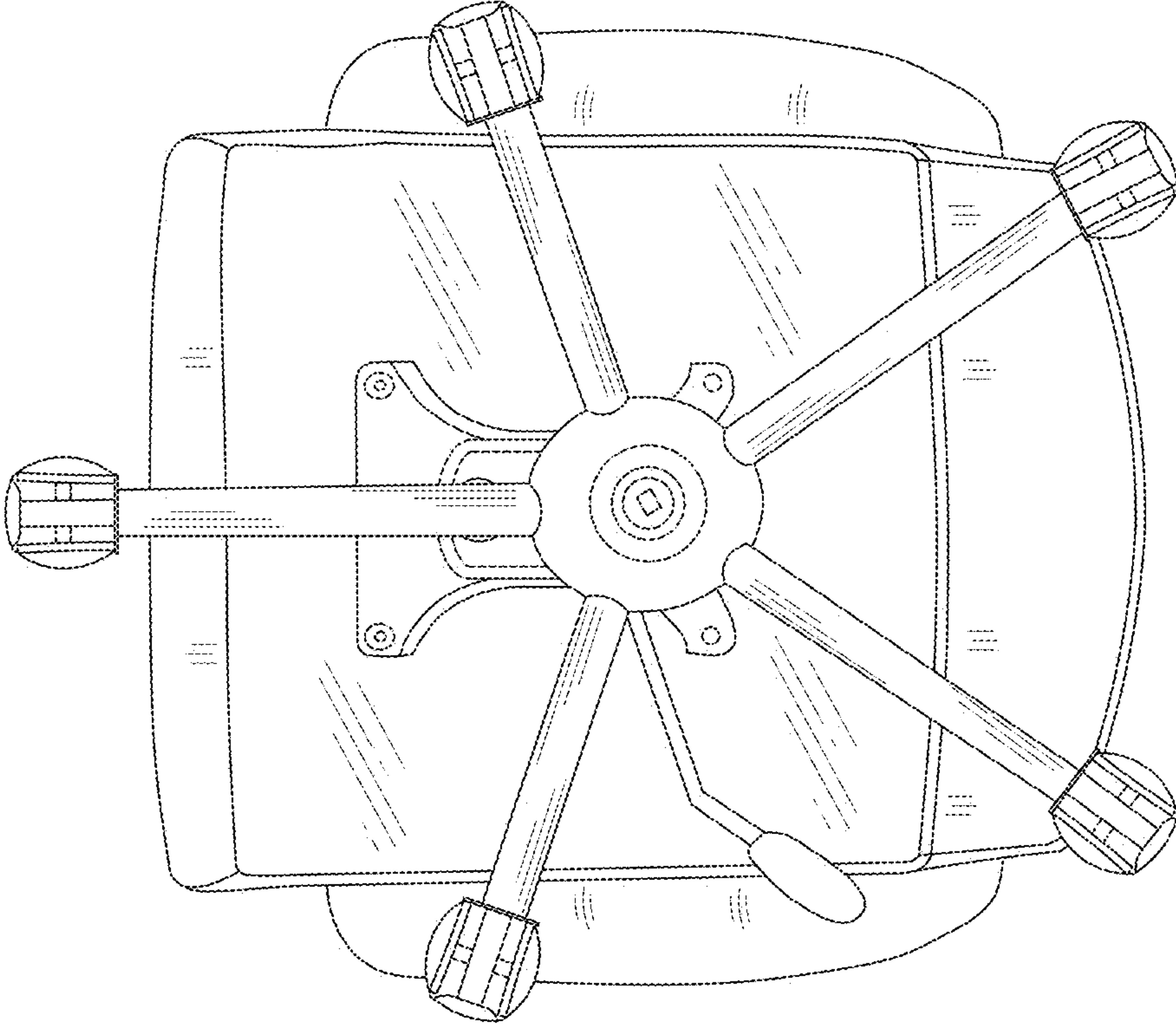


Fig. 4

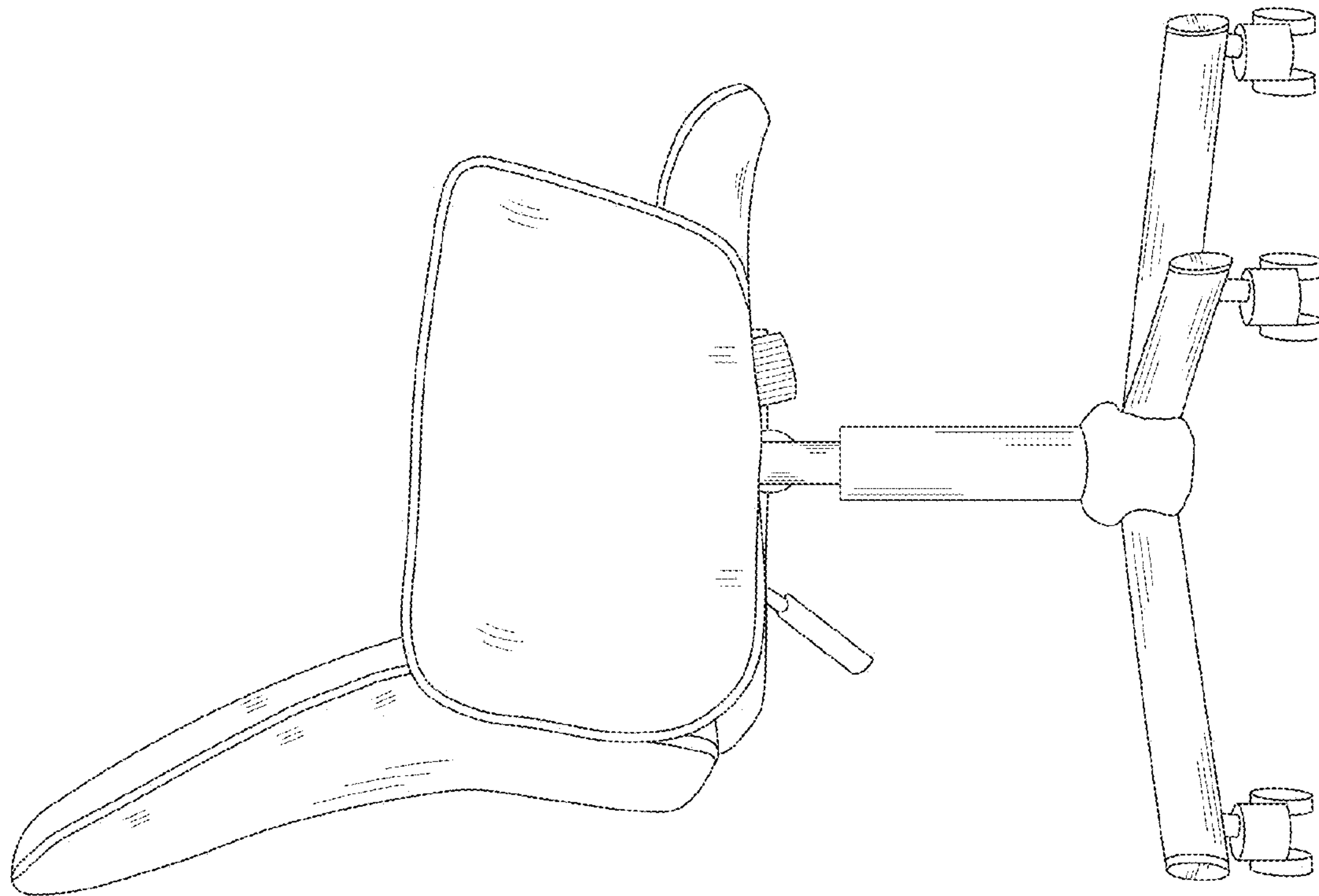


Fig. 5

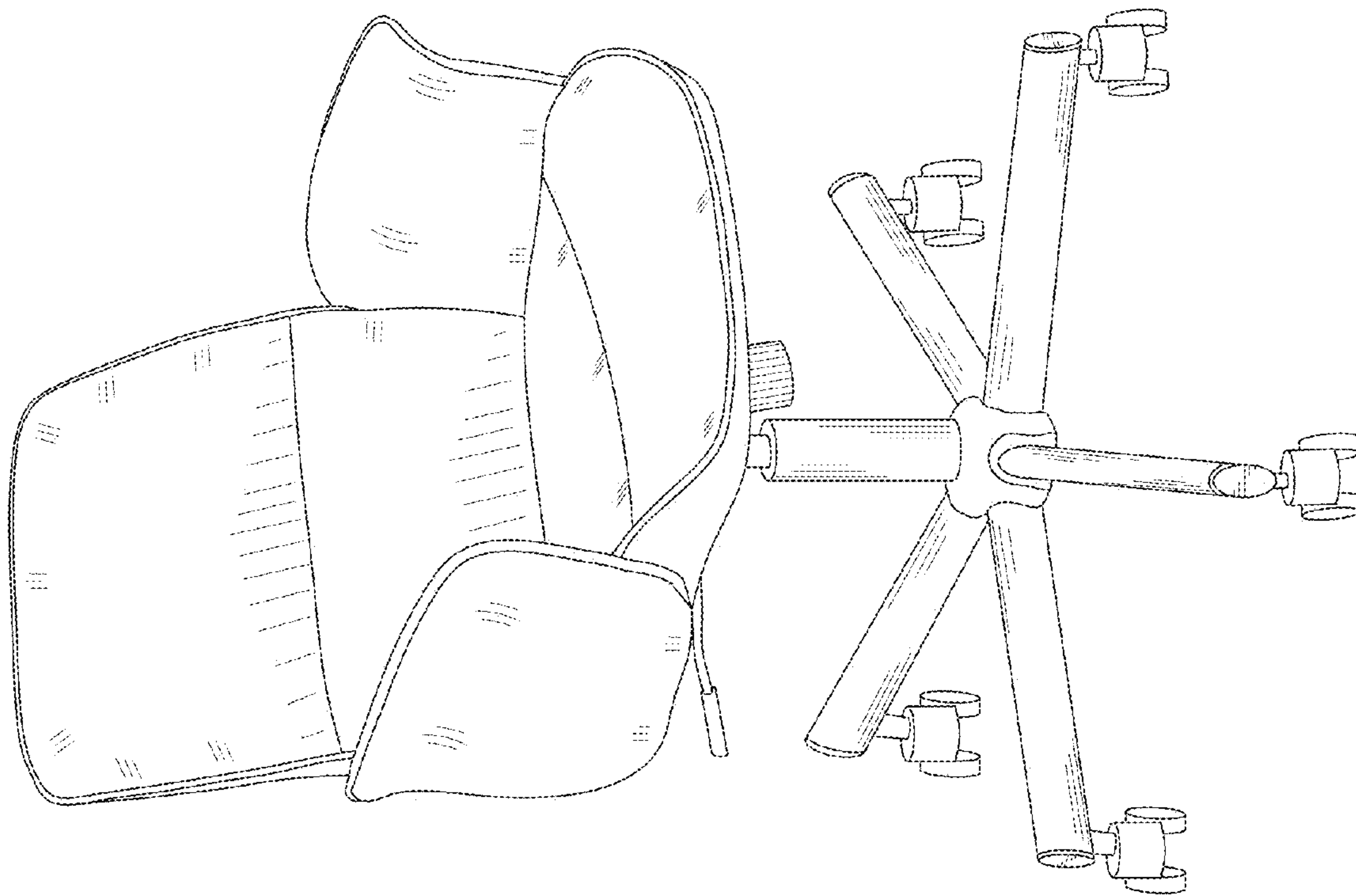


Fig. 6

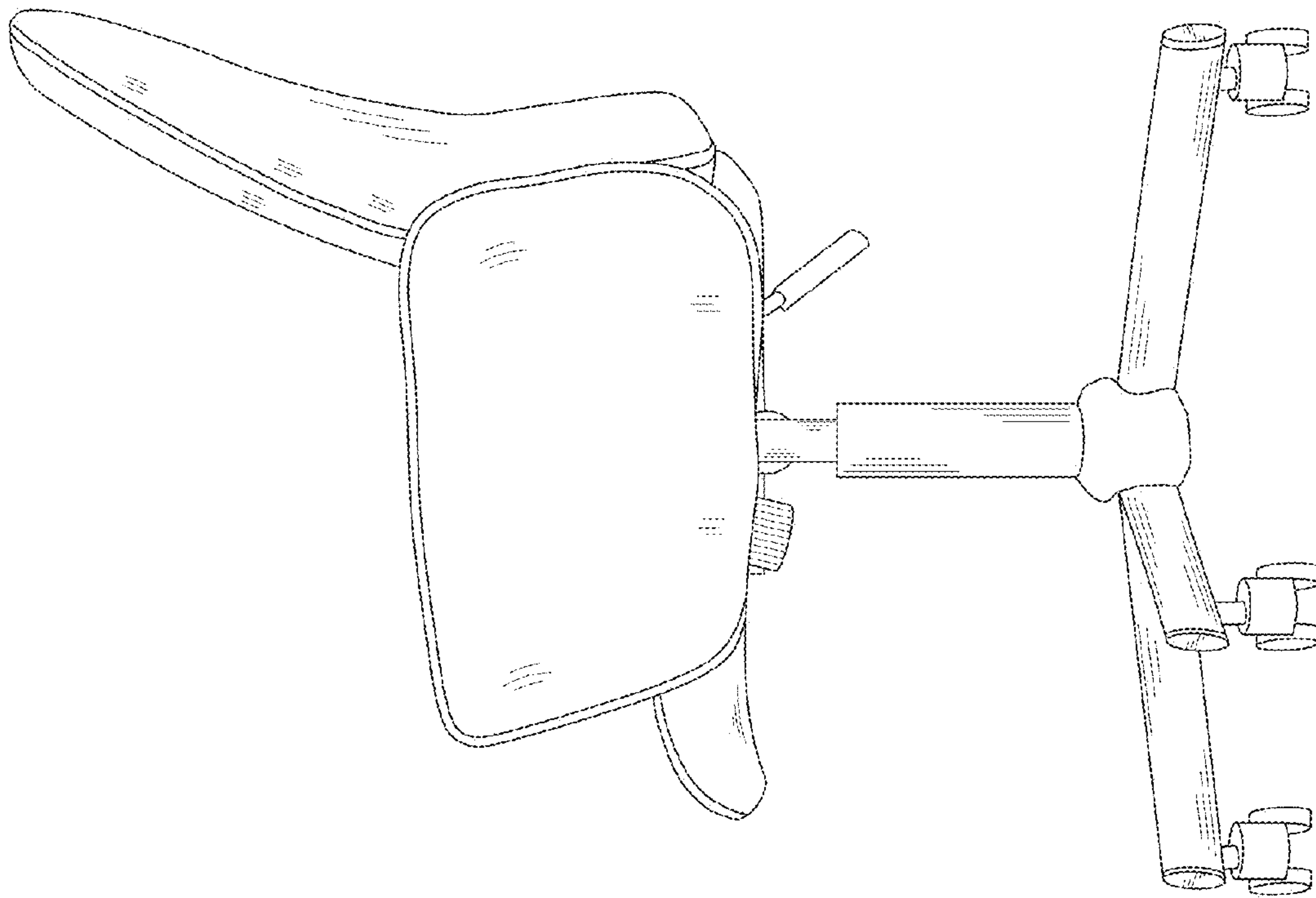


Fig. 7