



US00D880883S

(12) **United States Design Patent** (10) **Patent No.:** **US D880,883 S**
Li (45) **Date of Patent:** **** Apr. 14, 2020**

(54) **SWIVEL CHAIR** D458,465 S * 6/2002 Boulay D6/356
D492,494 S * 7/2004 Tai D6/366
(71) Applicant: **Homy Casa Limited**, Hong Kong (HK) 7,131,697 B2 * 11/2006 Beermann B60N 2/22
297/354.12
(72) Inventor: **YueHai Li**, Guangzhou (CN) D562,576 S * 2/2008 Ritzel D6/356
D655,097 S * 3/2012 Paetzel D6/356
(73) Assignee: **HOMY CASA LIMITED**, Sheung Wan D721,896 S * 2/2015 Ritzel D6/356
(HK) D721,897 S * 2/2015 Ritzel D6/356
D817,652 S * 5/2018 Nunn D6/356
D839,620 S * 2/2019 Lauter D6/356
D849,433 S * 5/2019 Whyte D6/356

(**) Term: **15 Years**

(21) Appl. No.: **29/624,230**

(22) Filed: **Oct. 31, 2017**

(51) **LOC (12) Cl.** **06-01**

(52) **U.S. Cl.**
USPC **D6/366**

(58) **Field of Classification Search**
USPC D6/334-336, 356, 364, 365, 366, 367,
D6/374, 375, 379, 380, 716, 716.1, 716.3,
D6/716.4, 708.23
CPC A47C 4/028; A47C 7/004; A47C 7/006;
A47C 7/18; A47C 7/24; A47C 7/38;
A47C 7/40; A47C 9/007; B60N 2/02;
B60N 2/22

See application file for complete search history.

(56) **References Cited**

U.S. PATENT DOCUMENTS

D219,813 S * 2/1971 McQueen D6/356
D439,449 S * 3/2001 Klinkhammer D6/366

* cited by examiner

Primary Examiner — Mimoso De

(74) *Attorney, Agent, or Firm* — Hauptman Ham, LLP

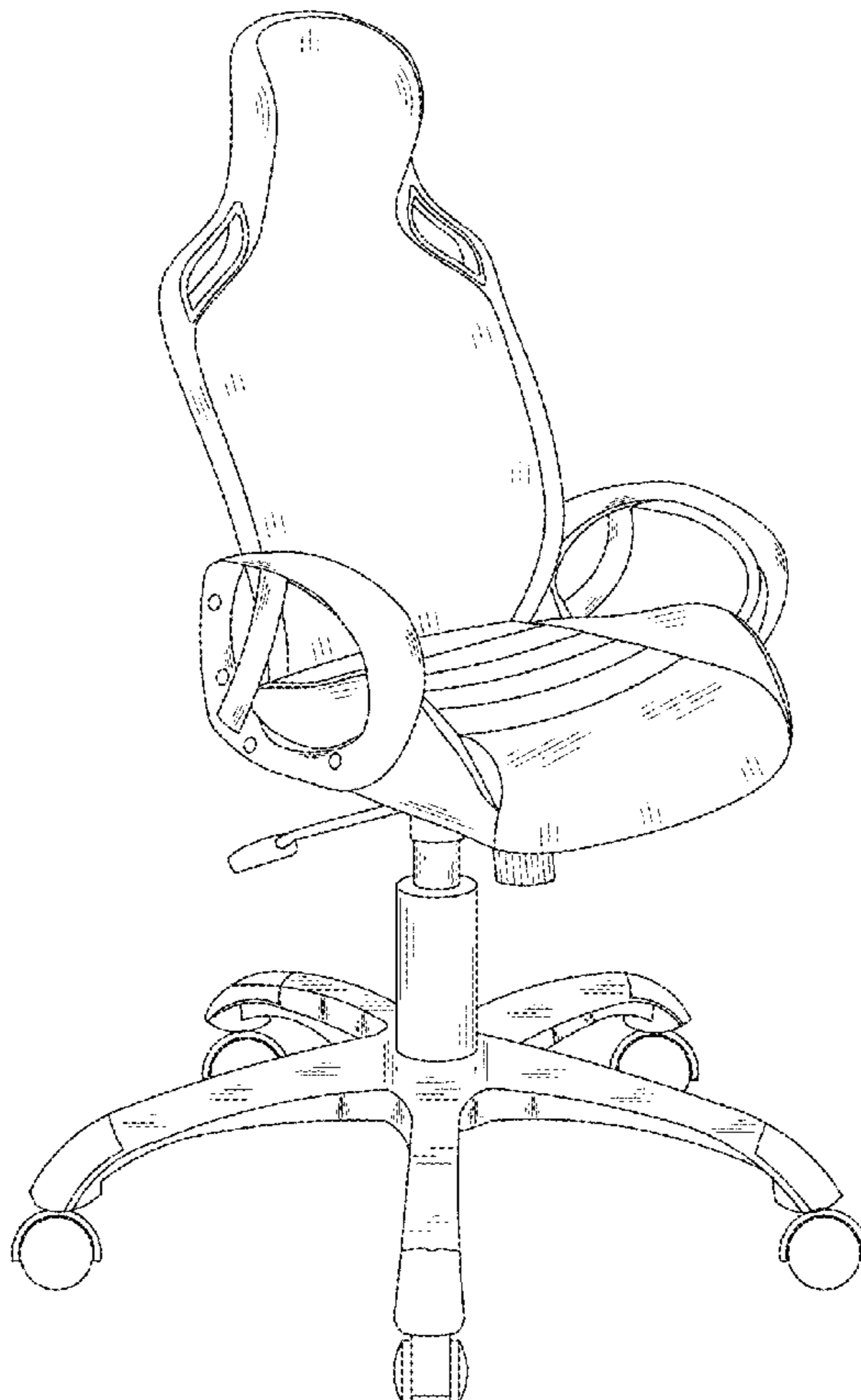
(57) **CLAIM**

The ornamental design for a swivel chair, as shown and described.

DESCRIPTION

FIG. 1 is a front view of a swivel chair;
FIG. 2 is a back view thereof;
FIG. 3 is a top view thereof;
FIG. 4 is a bottom view thereof;
FIG. 5 is a left side view thereof;
FIG. 6 is a top front left perspective view thereof; and,
FIG. 7 is a right side view thereof.
The broken lines show portions of the swivel chair and form no part of the claimed design.

1 Claim, 7 Drawing Sheets



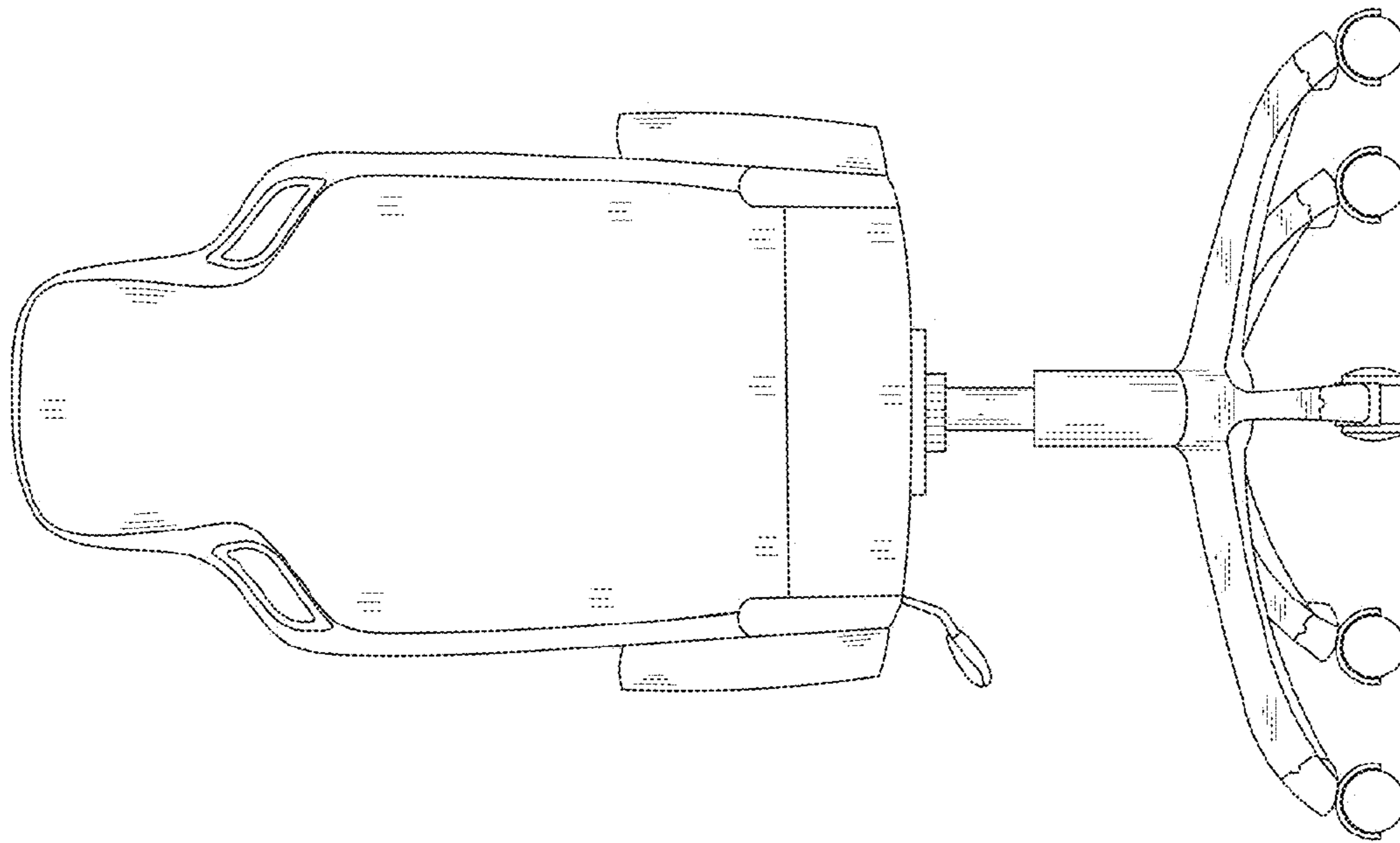


Fig. 1

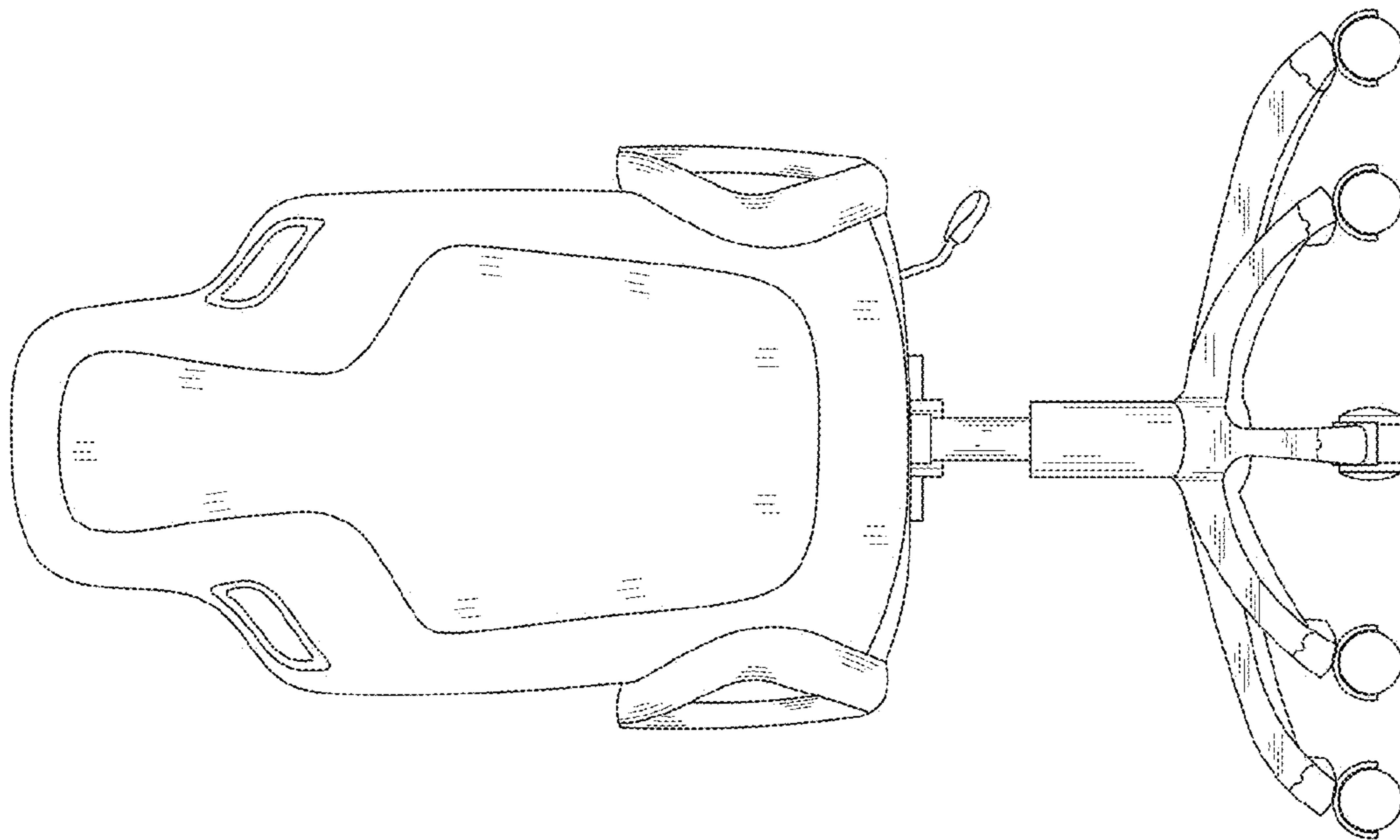


Fig. 2

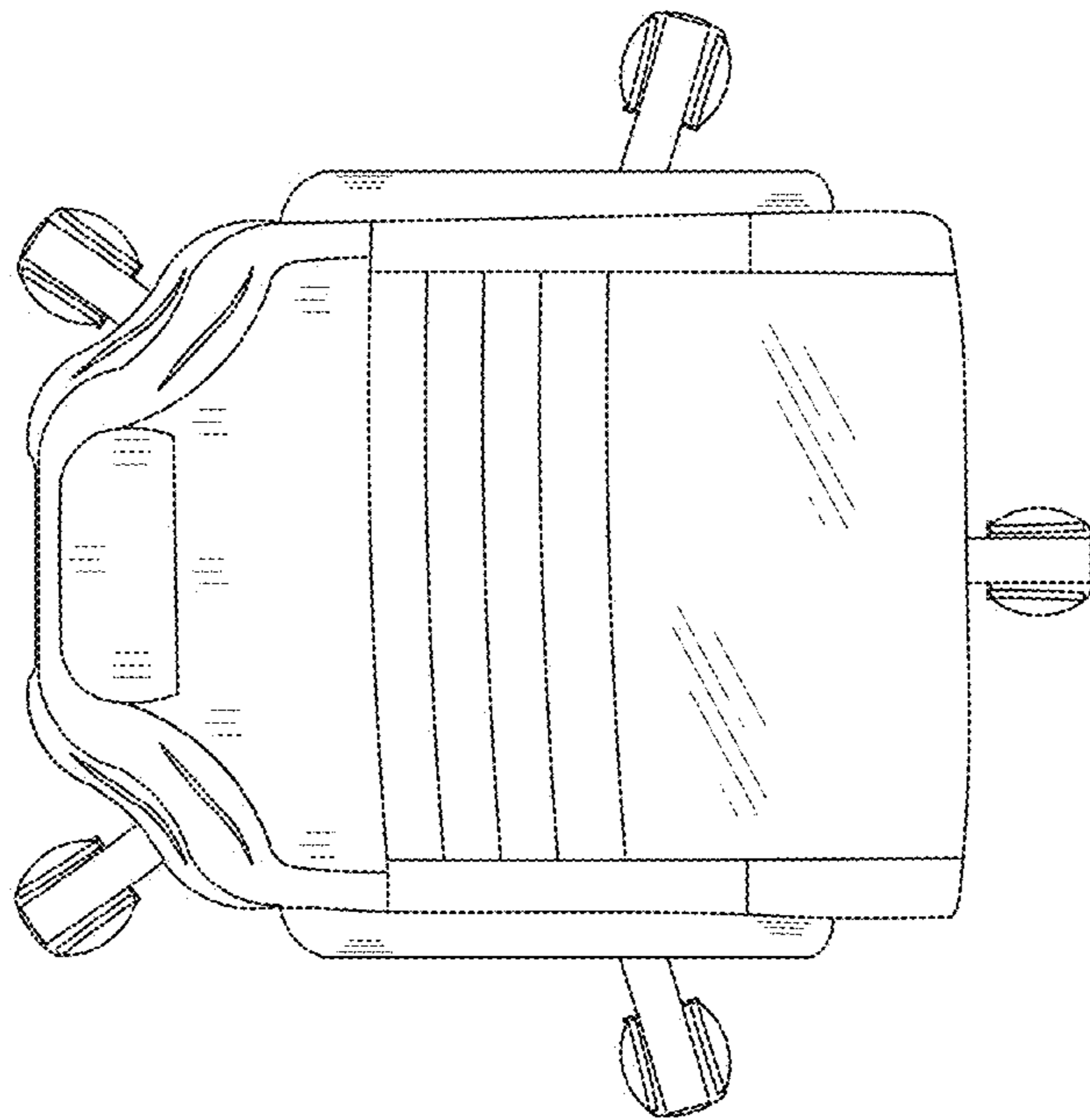


Fig. 3

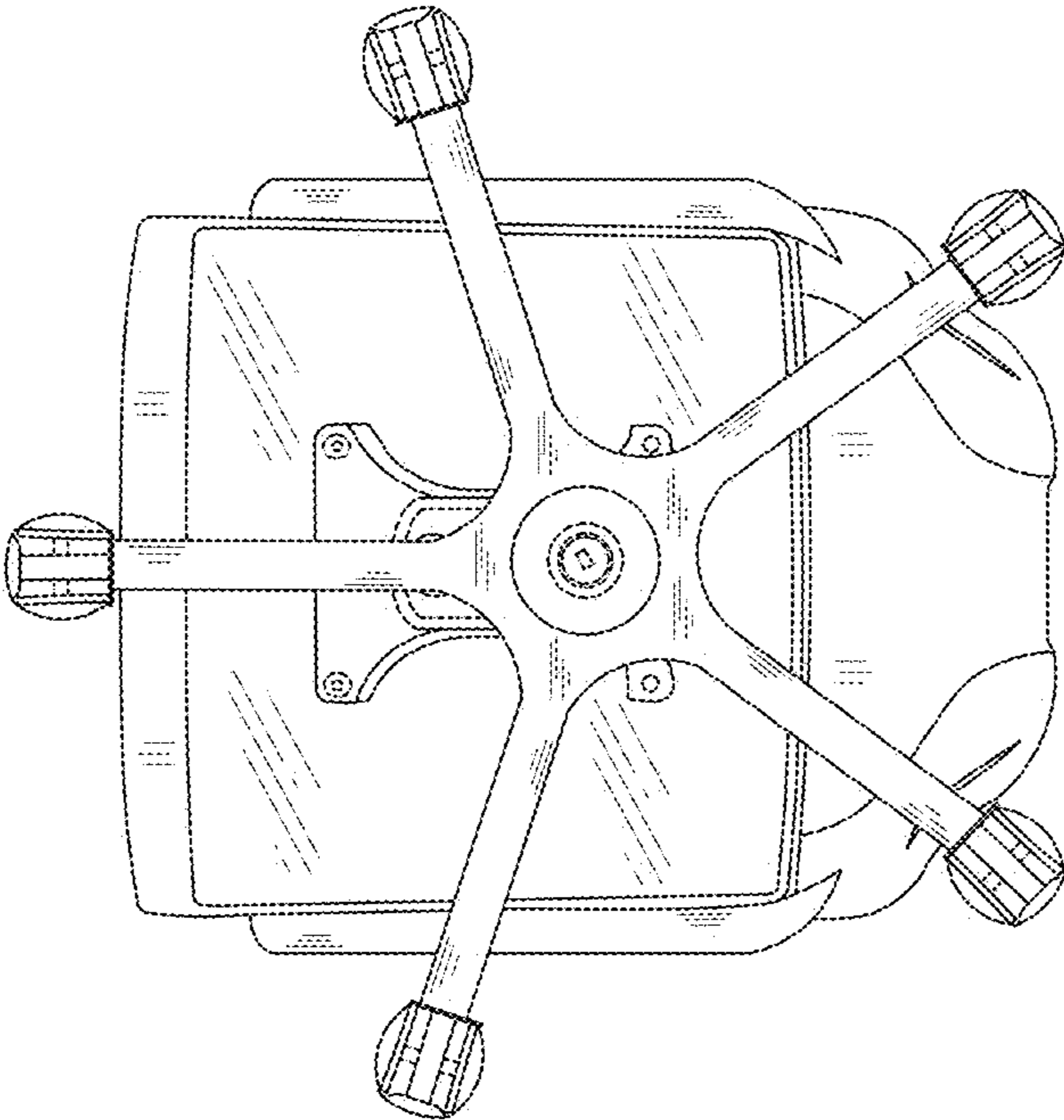


Fig. 4

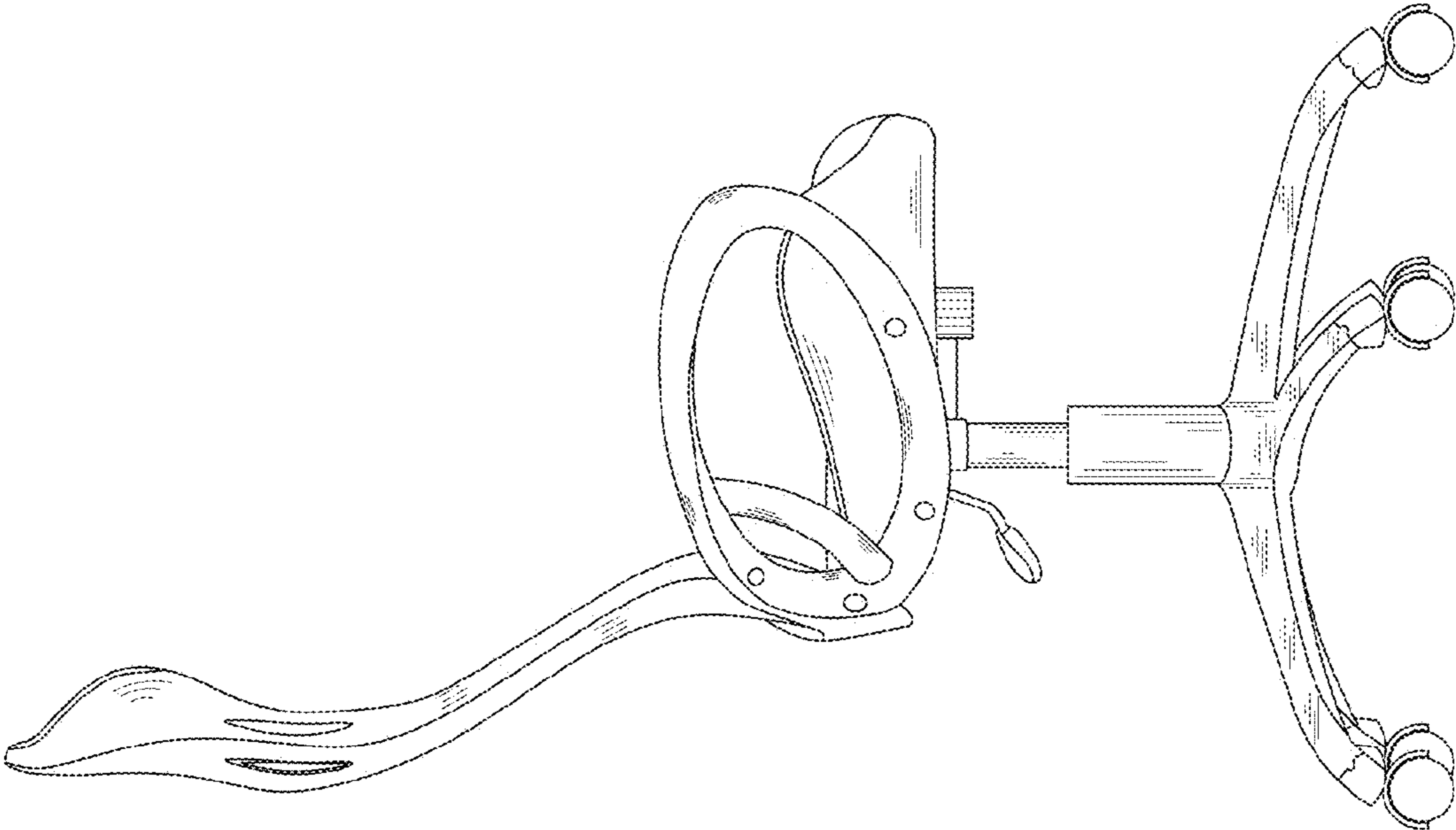


Fig. 5

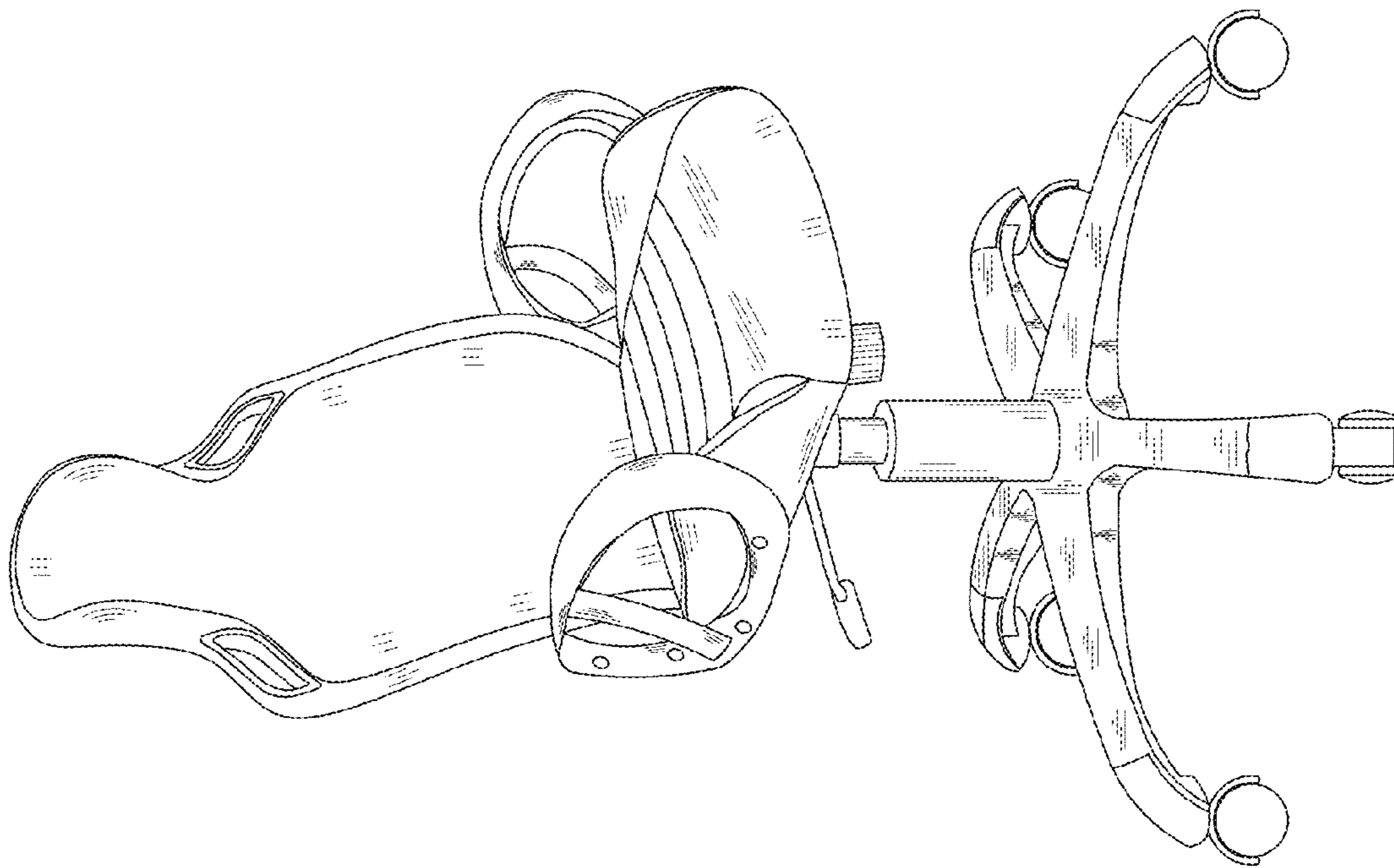


Fig. 6

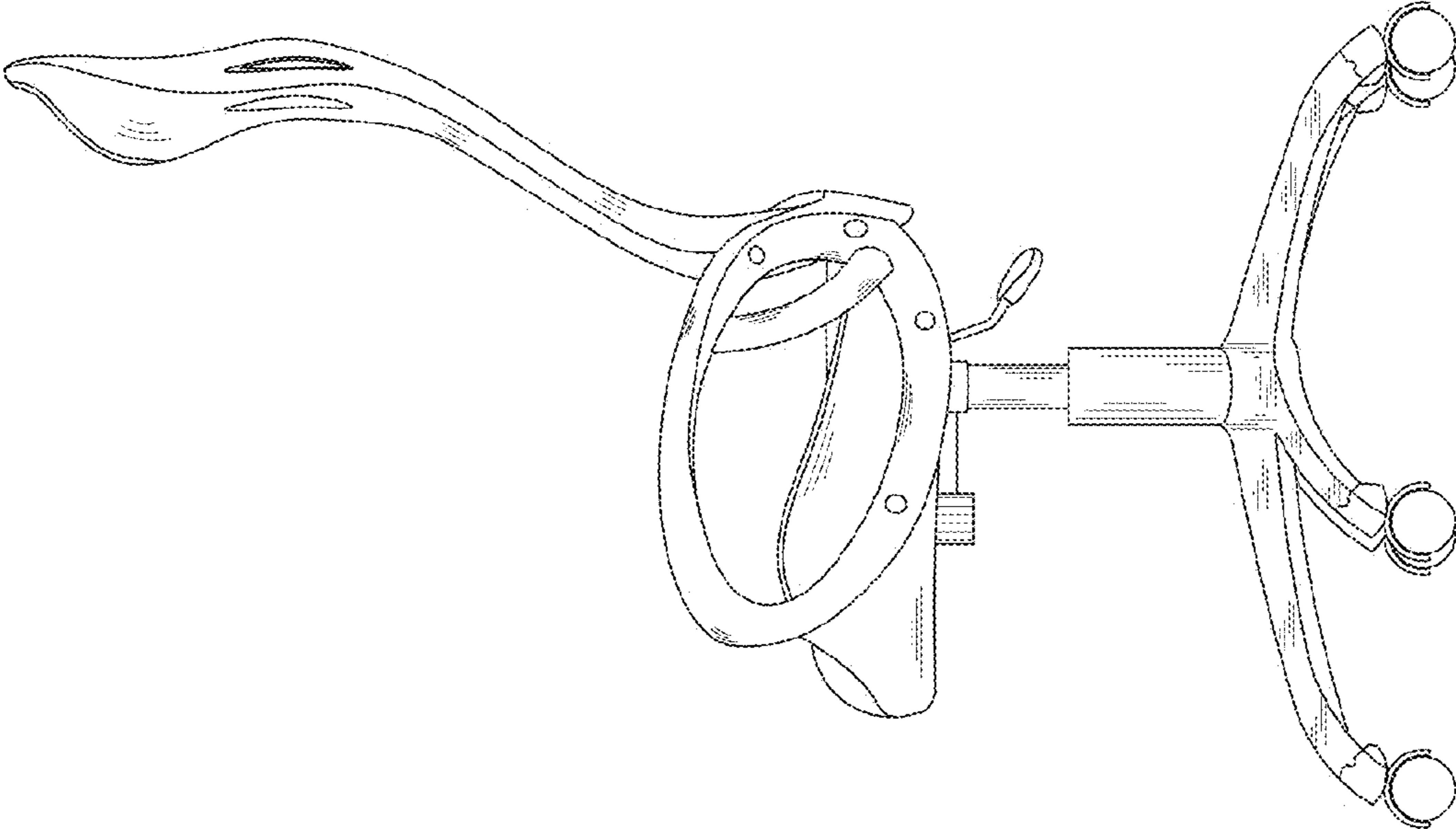


Fig. 7