



US00D880881S

(12) **United States Design Patent**
Hansson et al.

(10) **Patent No.:** **US D880,881 S**
(45) **Date of Patent:** **** Apr. 14, 2020**

- (54) **AIRCRAFT SEATING UNIT**
- (71) Applicant: **B/E Aerospace, Inc.**, Winston-Salem, NC (US)
- (72) Inventors: **Charles Martin Hansson**, Winston-Salem, NC (US); **Jaan Lin**, Winston-Salem, NC (US)
- (73) Assignee: **B/E AEROSPACE, INC.**, Winston-Salem, NC (US)

6,688,554	B2 *	2/2004	Weekly	B64D 11/06
					244/118.5
7,182,402	B1 *	2/2007	Ahad	B60N 2/22
					297/354.12
7,261,378	B2 *	8/2007	Dowty	A47C 1/02
					188/38
D632,105	S *	2/2011	Aruga	D6/356
D724,338	S *	3/2015	Nicholas	D6/356
9,150,129	B2 *	10/2015	Suhre	B64D 11/06
9,789,965	B2 *	10/2017	Benthien	B64C 1/20
9,828,099	B2 *	11/2017	Henshaw	B64D 11/0606
9,828,101	B2 *	11/2017	Shih	B64D 11/0646

(Continued)

(**) Term: **15 Years**

FOREIGN PATENT DOCUMENTS

- (21) Appl. No.: **29/642,142**
- (22) Filed: **Mar. 28, 2018**
- (51) **LOC (12) Cl.** **06-01**
- (52) **U.S. Cl.**
USPC **D6/356**
- (58) **Field of Classification Search**
USPC D6/356, 360, 364, 365; D21/521, 533, D21/548
CPC A61H 2201/0149; B60N 2/06; B60N 2/20; B60N 2/22; B60N 2/58; B60N 2/68; B60N 2/80; B60N 2/643; B60N 2/888; B60N 2/859; B60N 2/1615; B60N 2/7035; B60N 2/42745; B60N 2002/0272; B60N 2205/35
See application file for complete search history.

EP	1524147	A2 *	4/2005	B60N 2/242
EP	1900566	A2 *	3/2008	B60N 2/06
EP	1970245	A2 *	9/2008	B60N 2/2209

Primary Examiner — Kevin K Rudzinski
Assistant Examiner — Paul D Bohannon
 (74) *Attorney, Agent, or Firm* — Clements Bernard Walker Law

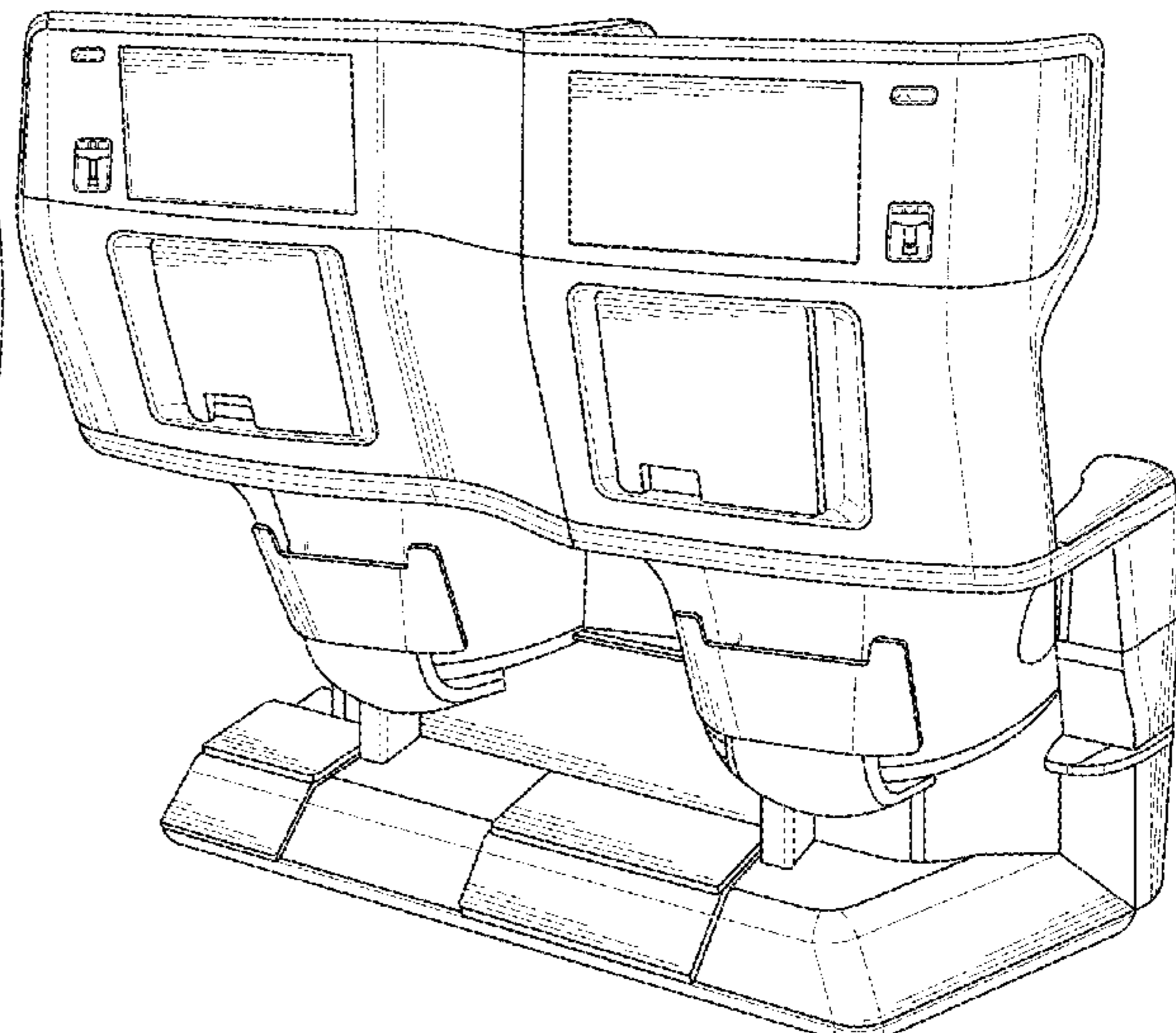
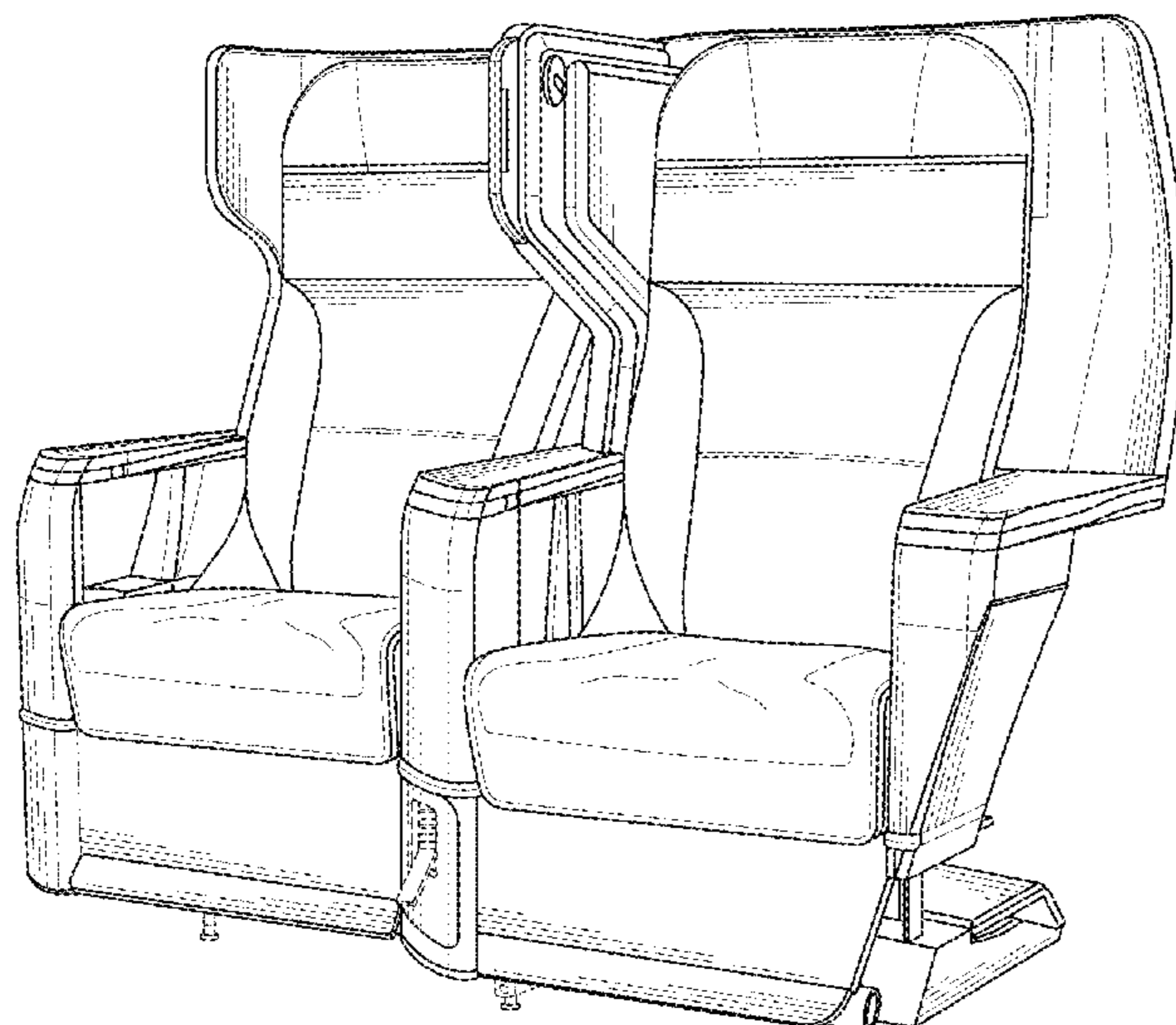
(57) **CLAIM**

The ornamental design for an aircraft seating unit, as shown.

DESCRIPTION

FIG. 1 is a front and left side perspective view showing our new design;
 FIG. 2 is a front and right side perspective view thereof;
 FIG. 3 is a back and right side perspective view thereof;
 FIG. 4 is a back and left side perspective view thereof;
 FIG. 5 is a front view thereof;
 FIG. 6 is a back view thereof;
 FIG. 7 is a right side view thereof;
 FIG. 8 is a left side view thereof; and,
 FIG. 9 is a top view thereof.
 The broken lines shown in the drawings are included for the purpose of illustrating portions of the article and form no part of the claimed design.

1 Claim, 7 Drawing Sheets



(56)

References Cited

U.S. PATENT DOCUMENTS

9,834,308	B2 *	12/2017	Henshaw	B64D 11/0606
10,035,433	B2 *	7/2018	Muraiti	B60N 2/01
10,035,599	B2 *	7/2018	Ruiz Lara	B64D 11/06
2005/0099050	A1 *	5/2005	Meiller	B60N 2/242 297/396

* cited by examiner

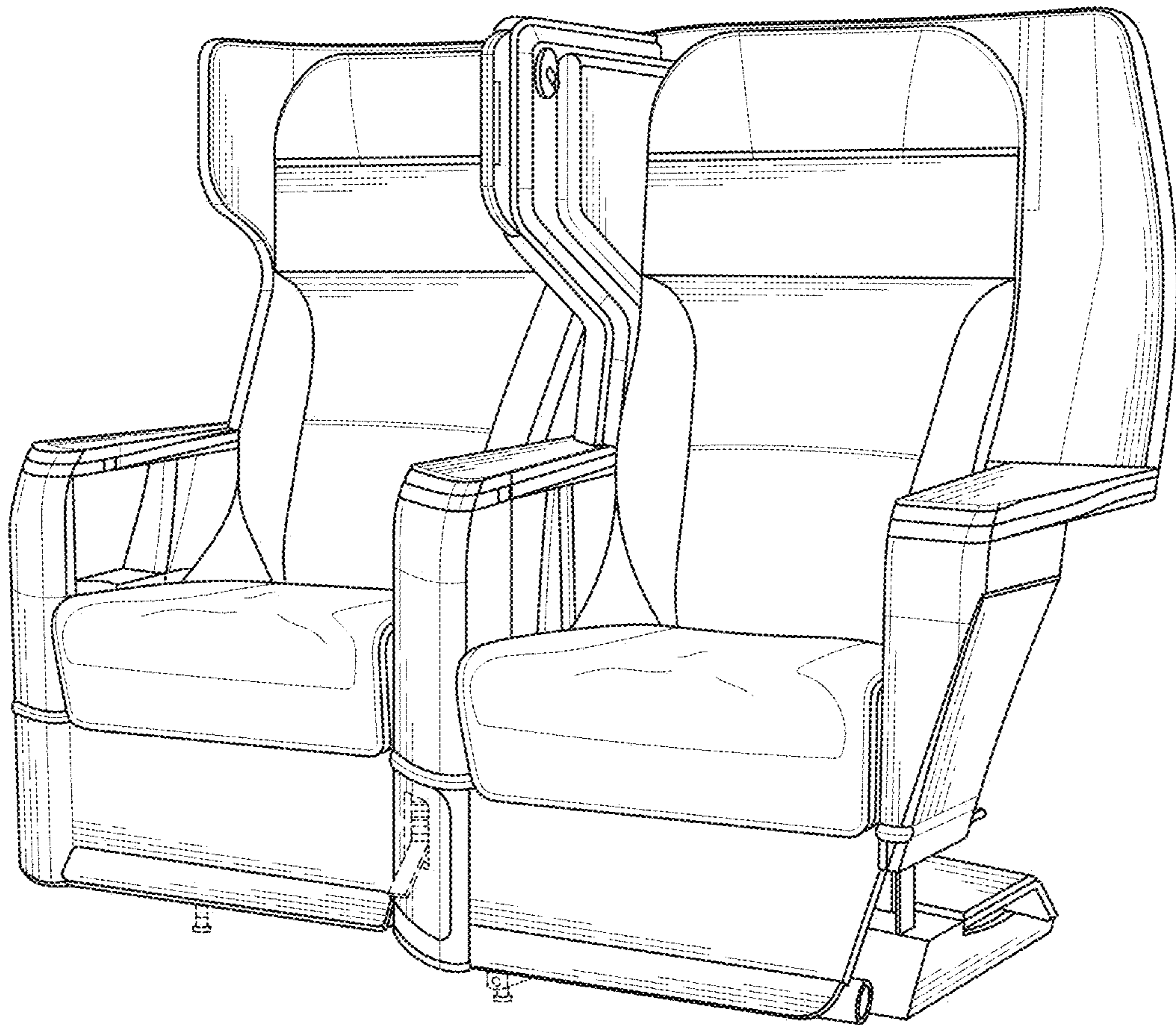


FIG. 1

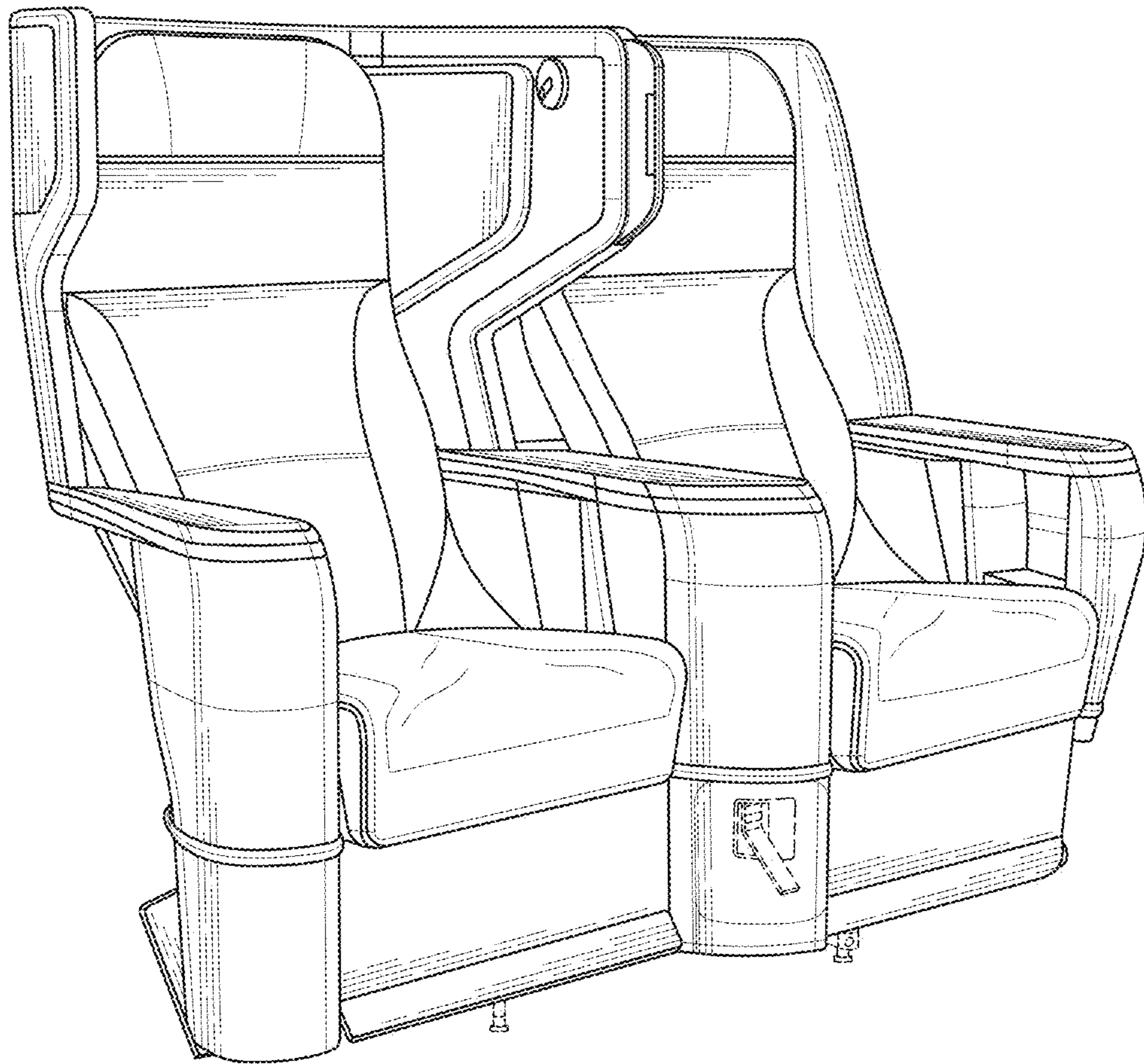


FIG. 2

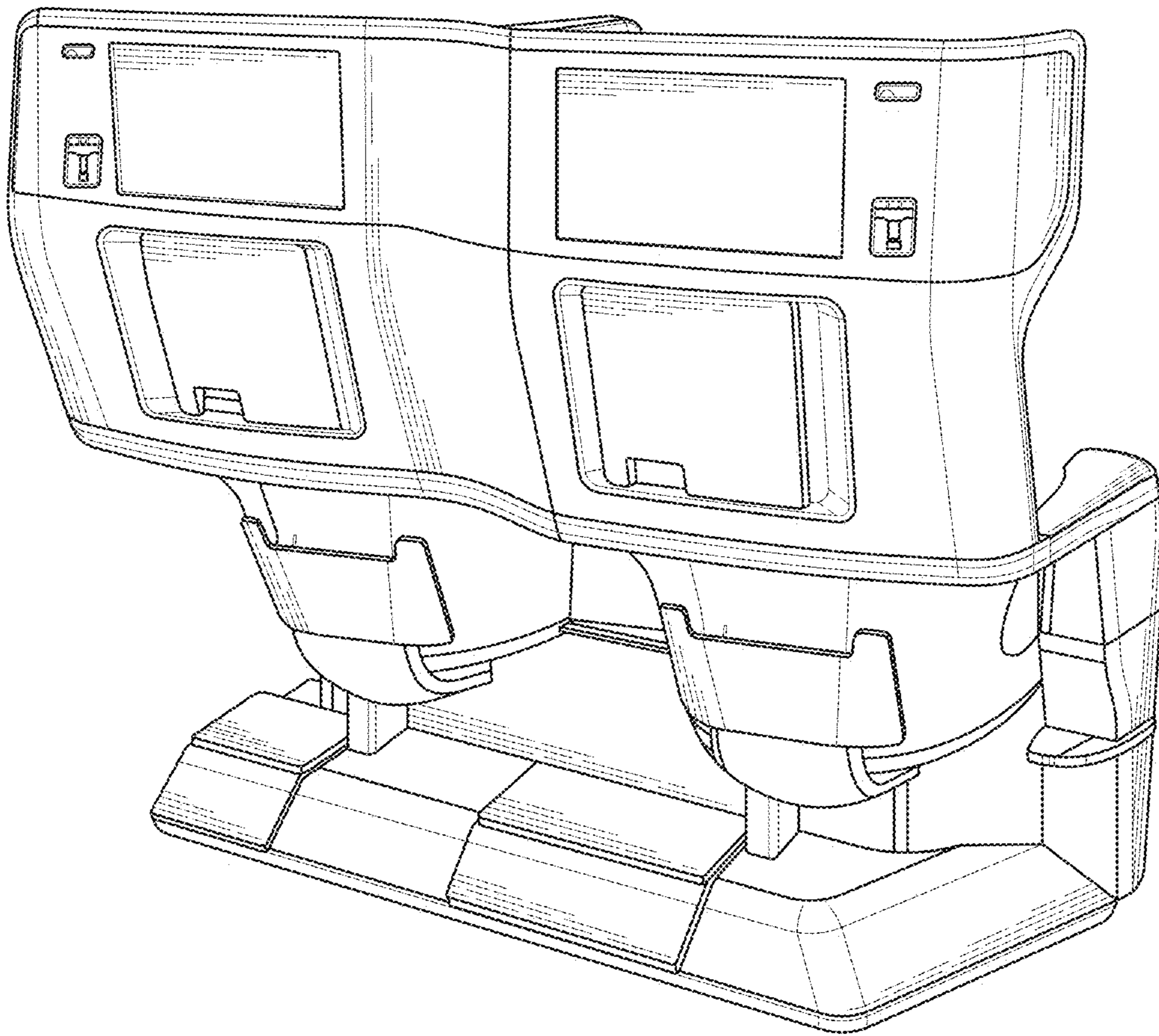


FIG. 3

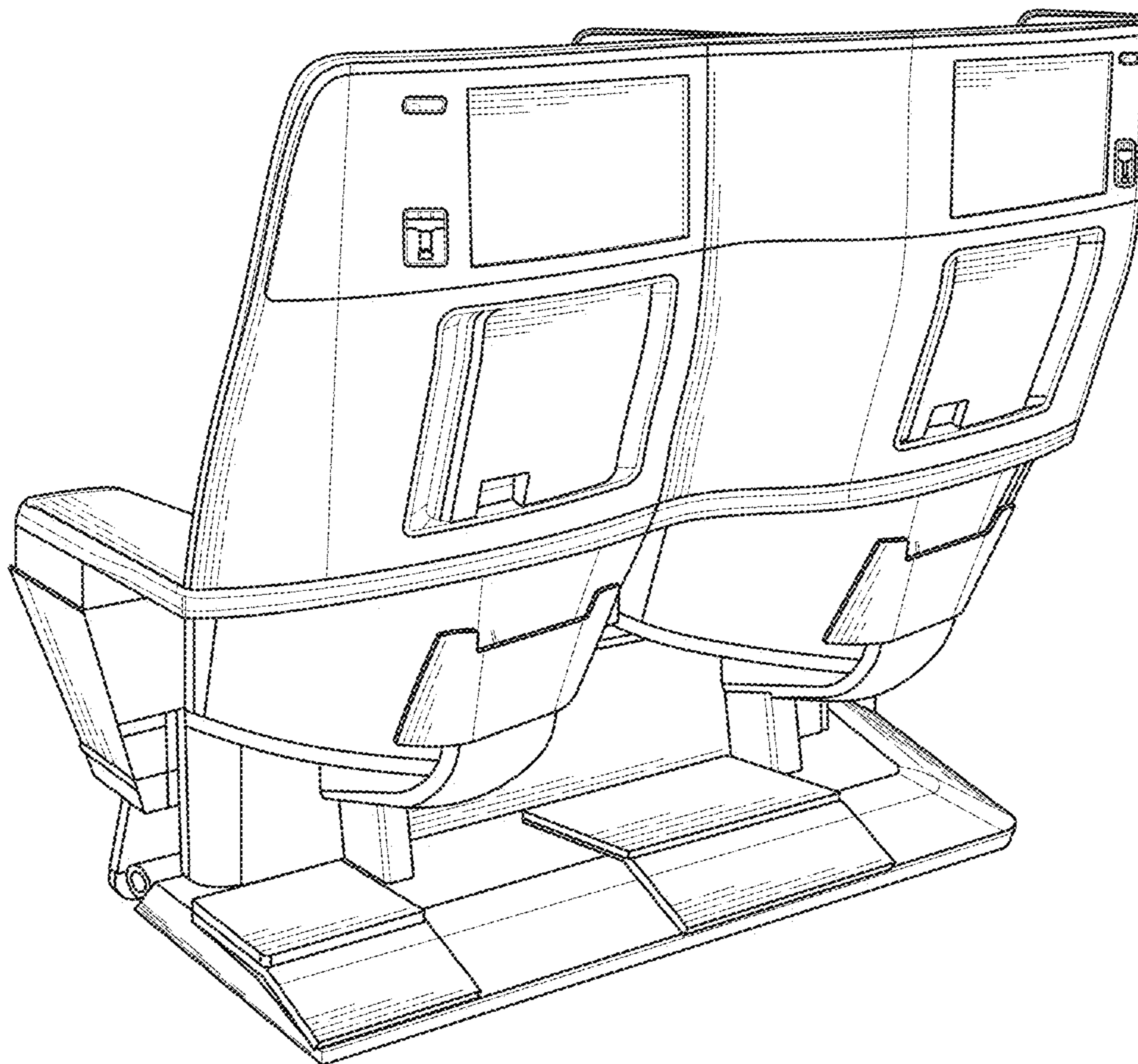


FIG. 4

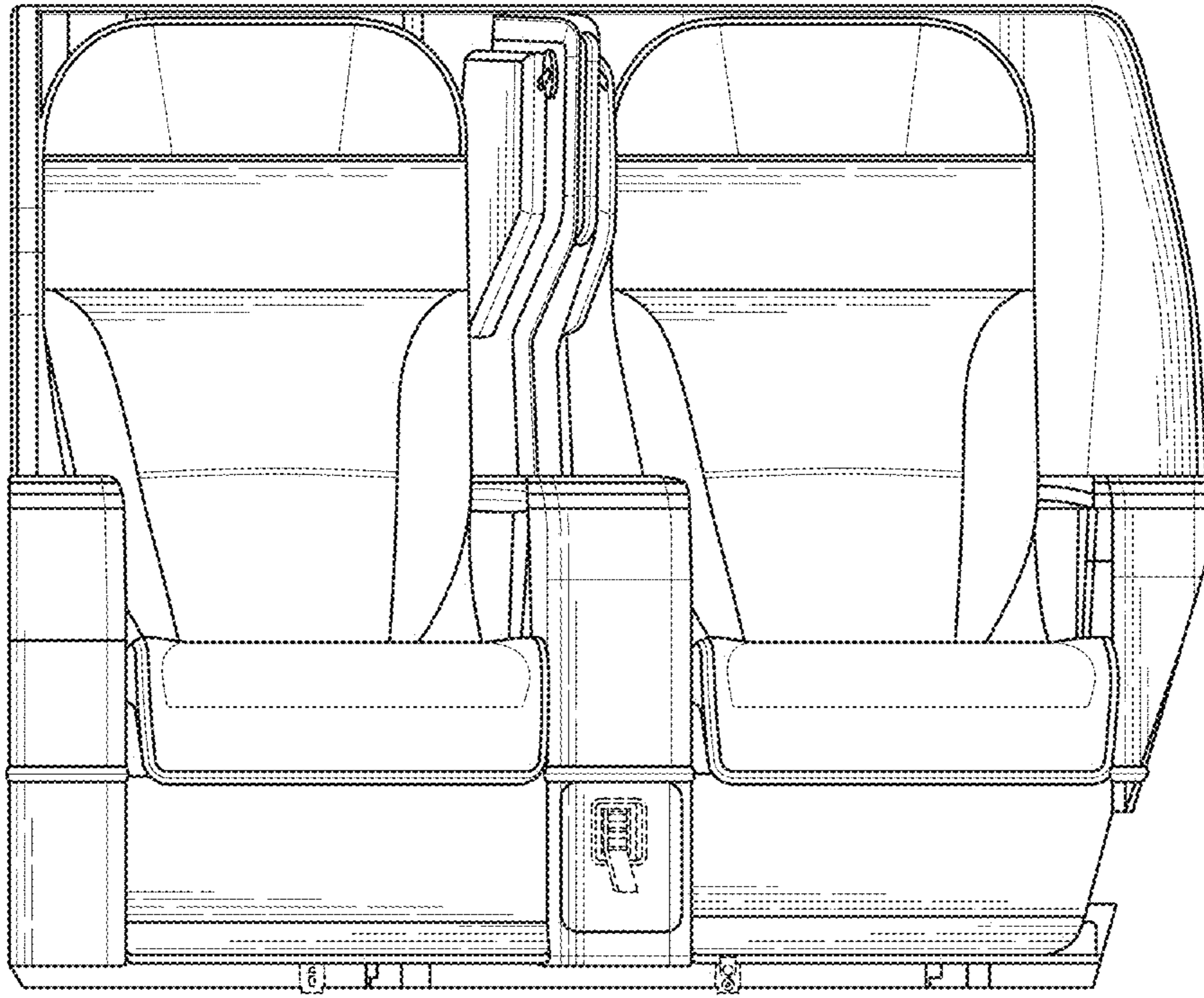


FIG. 5

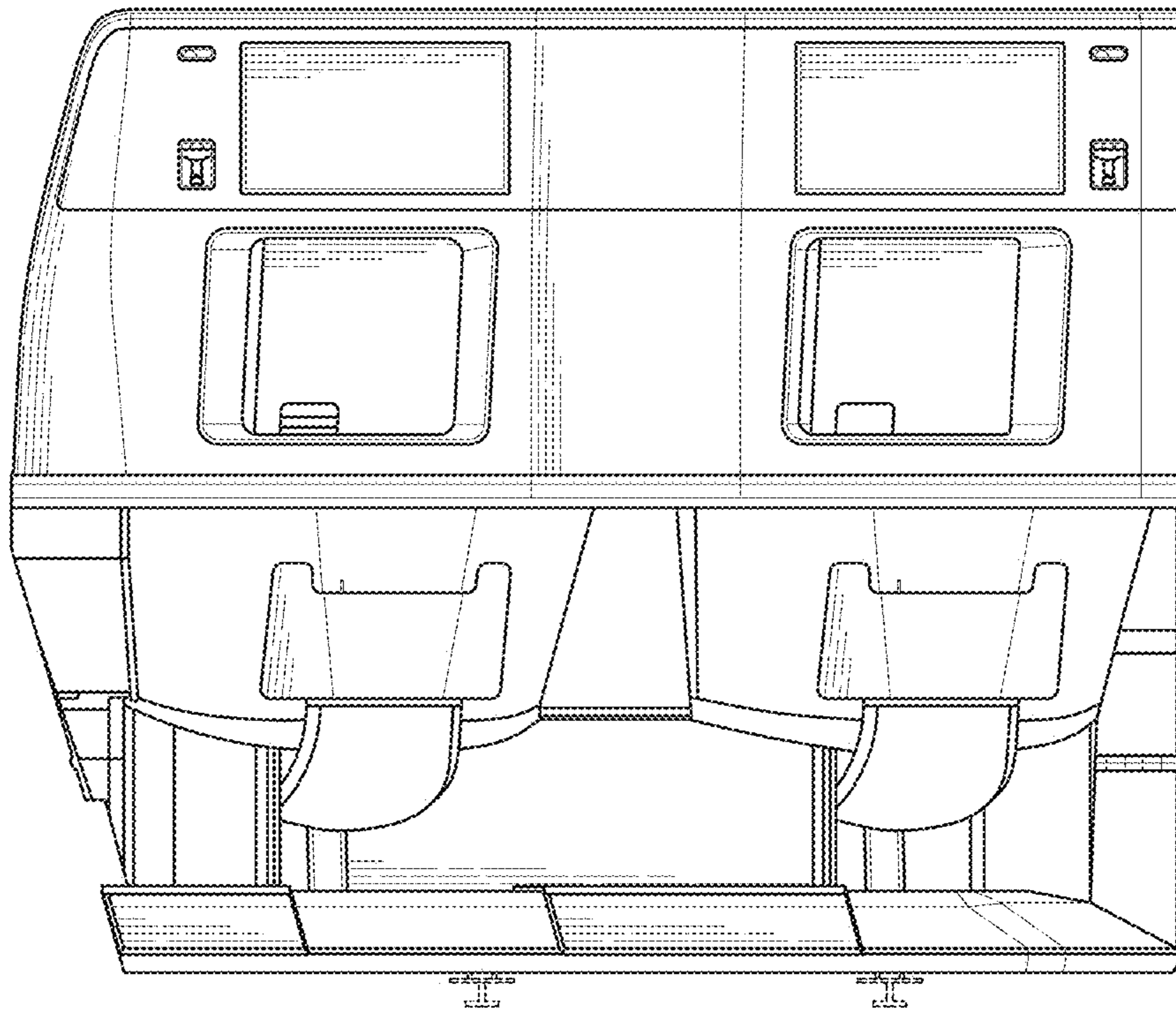


FIG. 6

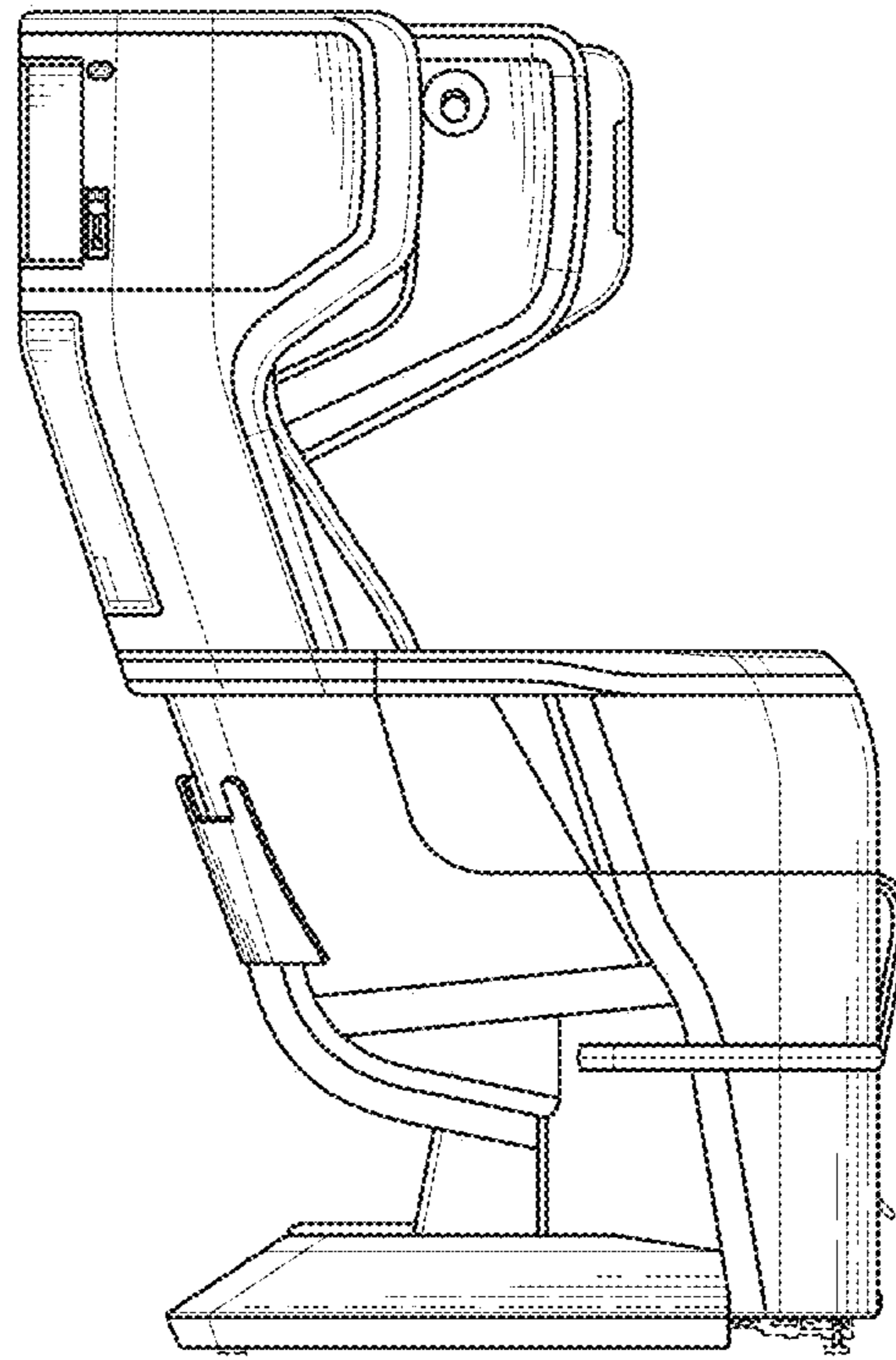


FIG. 7

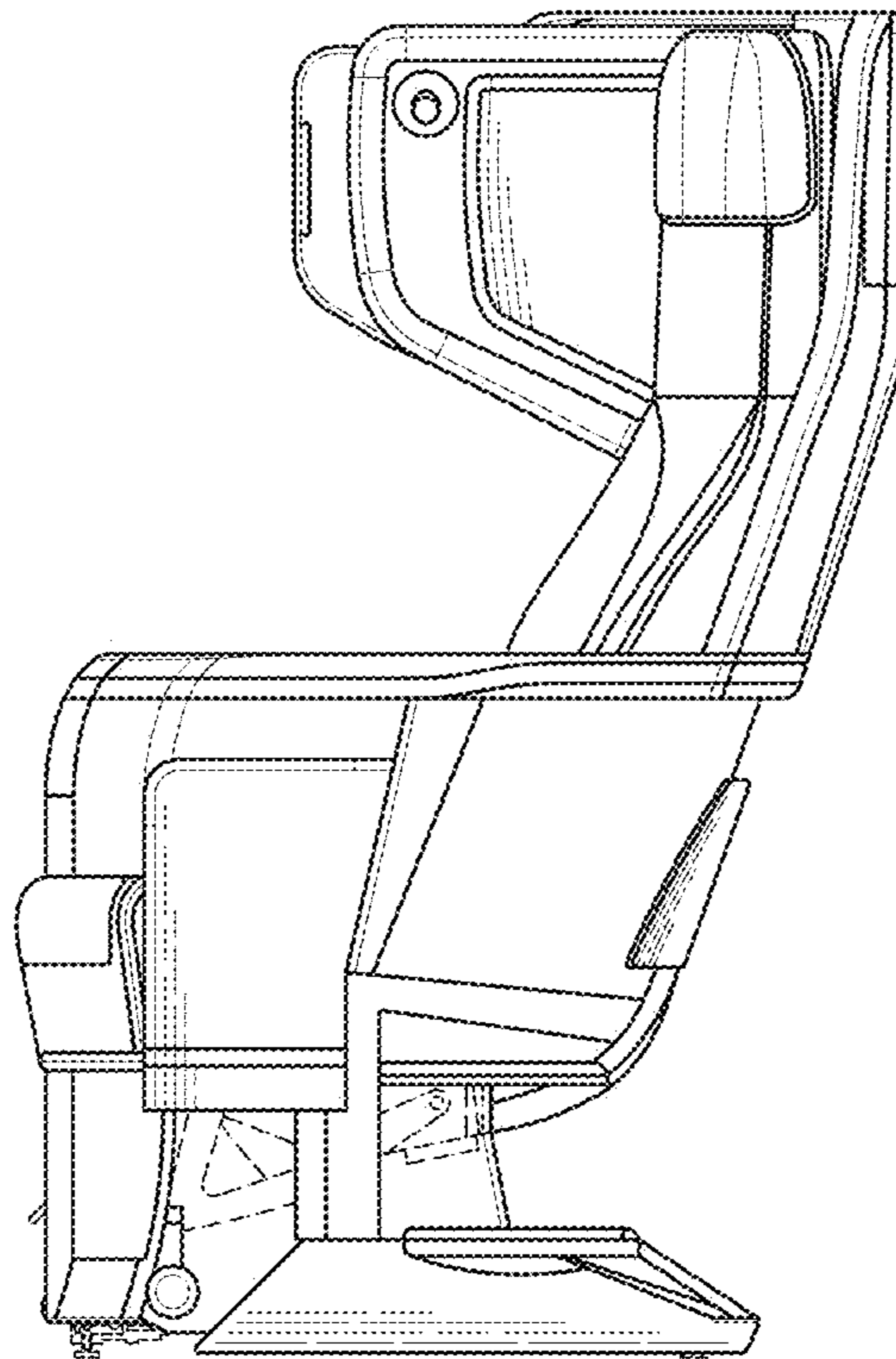


FIG. 8

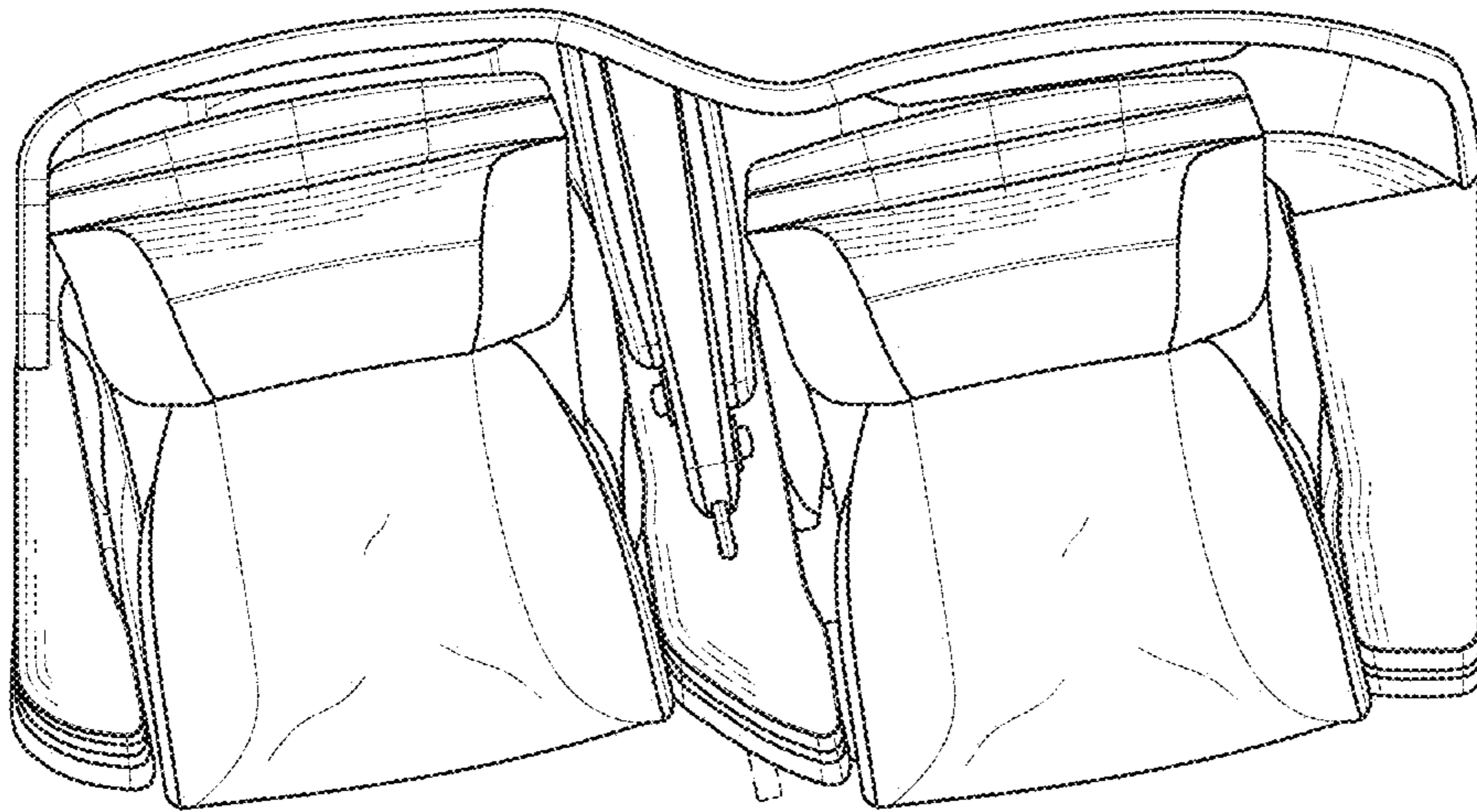


FIG. 9