



US00D880878S

(12) **United States Design Patent**
Wynants

(10) **Patent No.:** **US D880,878 S**

(45) **Date of Patent:** **** Apr. 14, 2020**

(54) **COMBINED TABLE AND MULTIPLE SEAT UNIT**

(71) Applicant: **Dirk Wynants**, Poperinge (BE)

(72) Inventor: **Dirk Wynants**, Poperinge (BE)

(**) Term: **15 Years**

(21) Appl. No.: **35/506,140**

(22) Filed: **Nov. 9, 2018**

(80) **Hague Agreement Data**

Int. Filing Date: **Nov. 9, 2018**

Int. Reg. No.: **DM/103840**

Int. Reg. Date: **Nov. 9, 2018**

Int. Reg. Pub. Date: **Nov. 30, 2018**

(51) **LOC (12) Cl.** **06-01**

(52) **U.S. Cl.**
USPC **D6/338**

(58) **Field of Classification Search**
USPC D6/334–336, 338, 341, 342, 377, 381
CPC A47C 1/00; A47C 1/12; A47C 3/00; A47C 3/04; A47C 5/00; A47C 7/00; A47C 7/02; A47C 7/024; A47B 37/04; A47B 37/00; A47B 41/00

See application file for complete search history.

(56) **References Cited**

U.S. PATENT DOCUMENTS

D79,587 S * 10/1929 Frost D6/368
D187,919 S * 5/1960 Barecki D6/375

D224,923 S * 10/1972 Grabhorn D6/336
D261,578 S * 11/1981 Heritage D6/338
D283,177 S * 4/1986 Swims D6/338
D497,487 S * 10/2004 Azumi D6/338
D555,372 S * 11/2007 Lin D6/336
D604,524 S * 11/2009 Weeks D6/338
D762,395 S * 8/2016 Masciocchi A47C 1/124
D6/379

2012/0146367 A1 * 6/2012 Weber A47C 3/04
297/162

2018/0228291 A1 * 8/2018 Koehler A47C 1/124

* cited by examiner

Primary Examiner — Mary Ann Calabrese

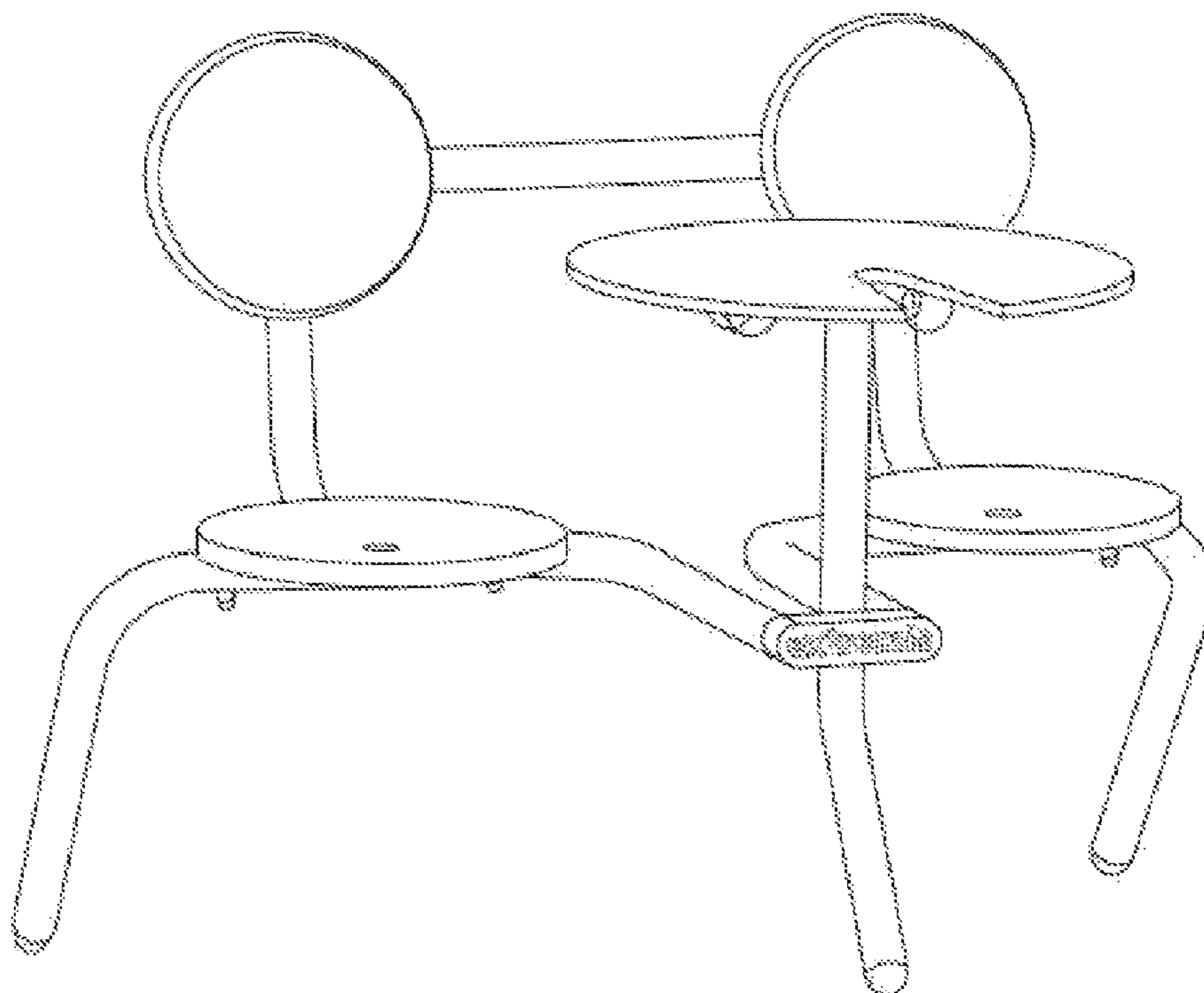
(57) **CLAIM**

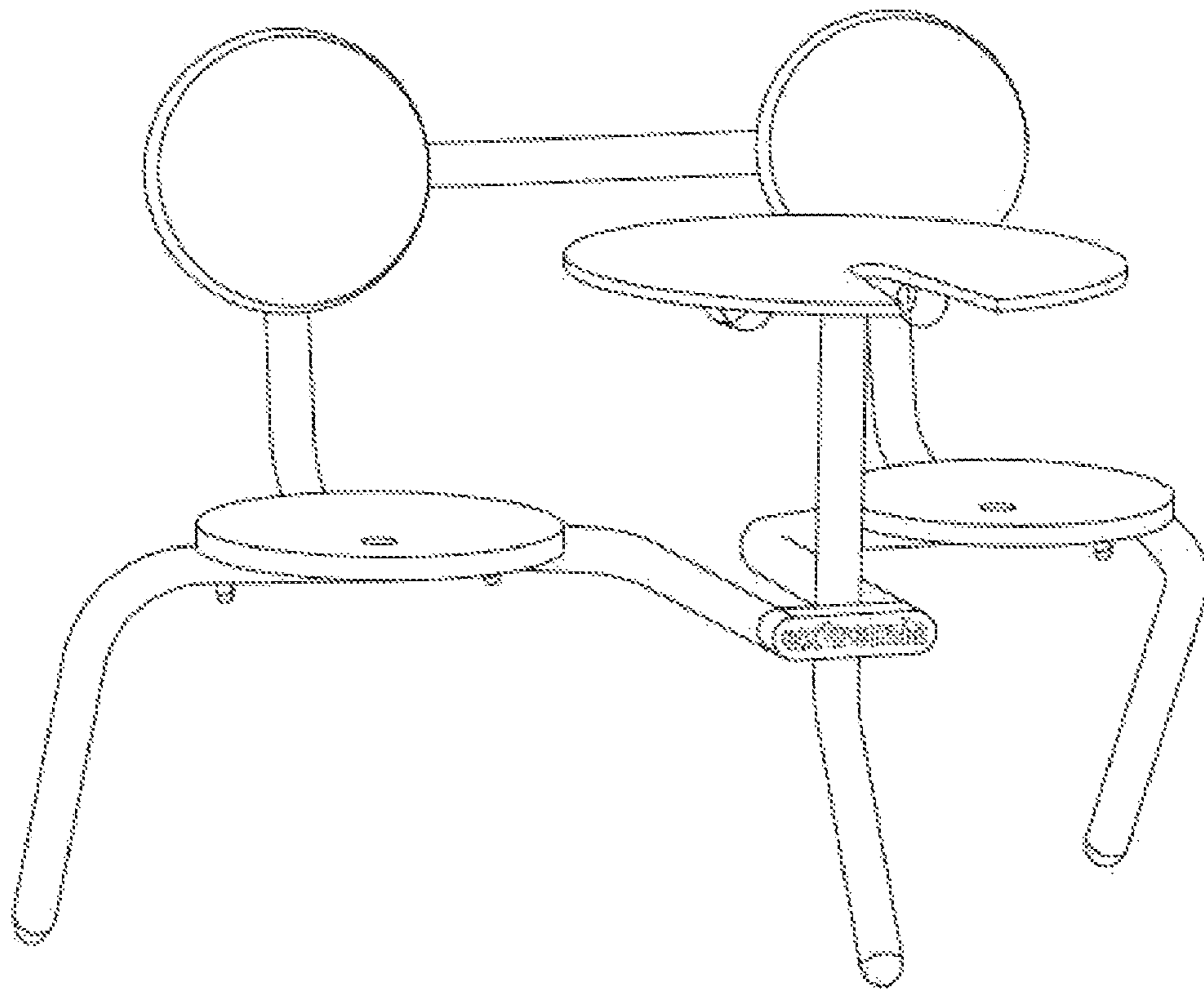
The ornamental design for combined table and multiple seat unit, as shown and described.

DESCRIPTION

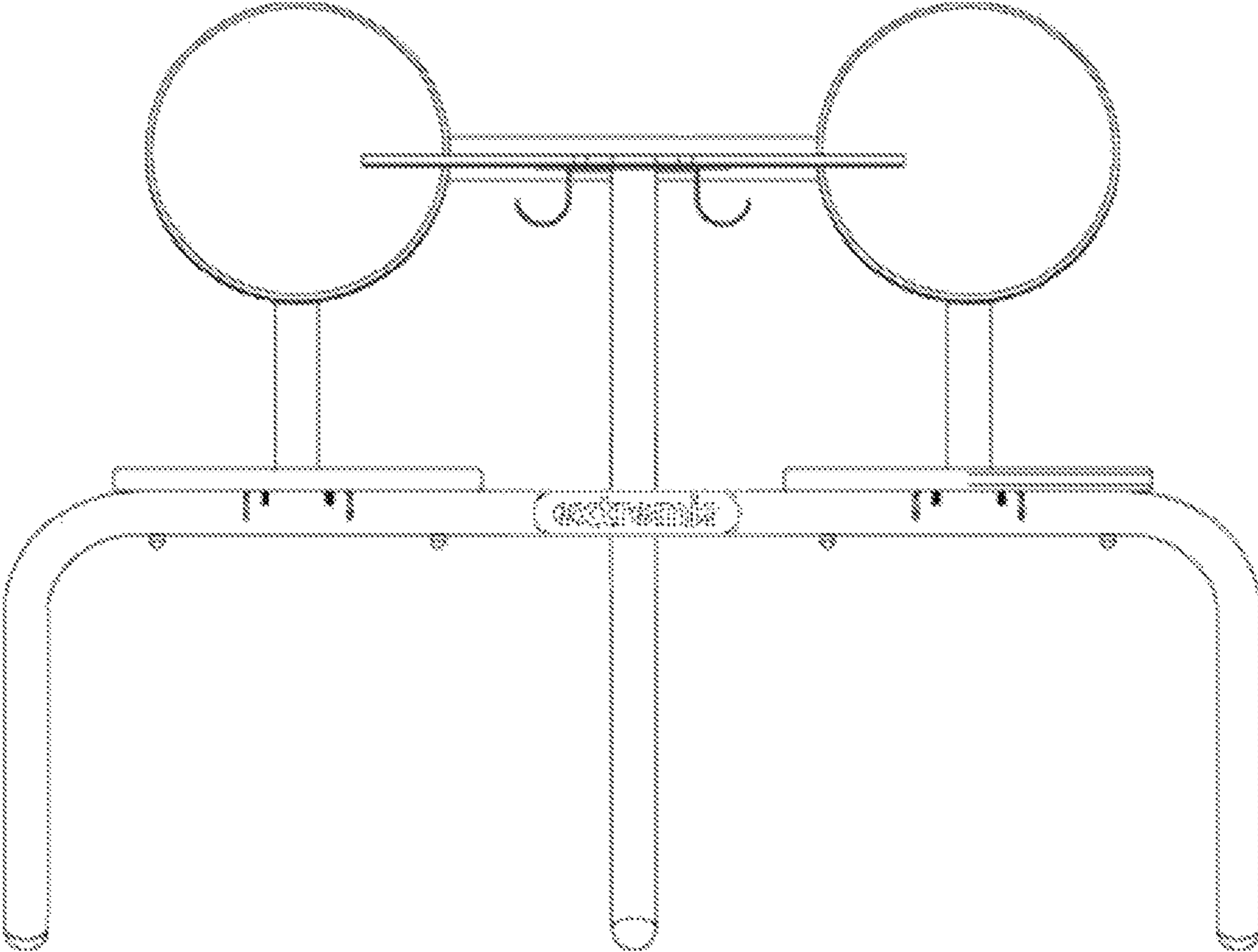
1. Combined table and multiple seat unit
1.1 : Perspective
1.2 : Front
1.3 : Top
1.4 : Bottom
1.5 : Left
1.6 : Left side view shown stacked, in an environment of use. In the drawings, the broken lines illustrate environment, which forms no part of the claimed design. Further, the “Extremis” text forming part of the claimed design is a U.S. registered trademark of Dirk Wynants, an individual residing in Belgium.

1 Claim, 6 Drawing Sheets



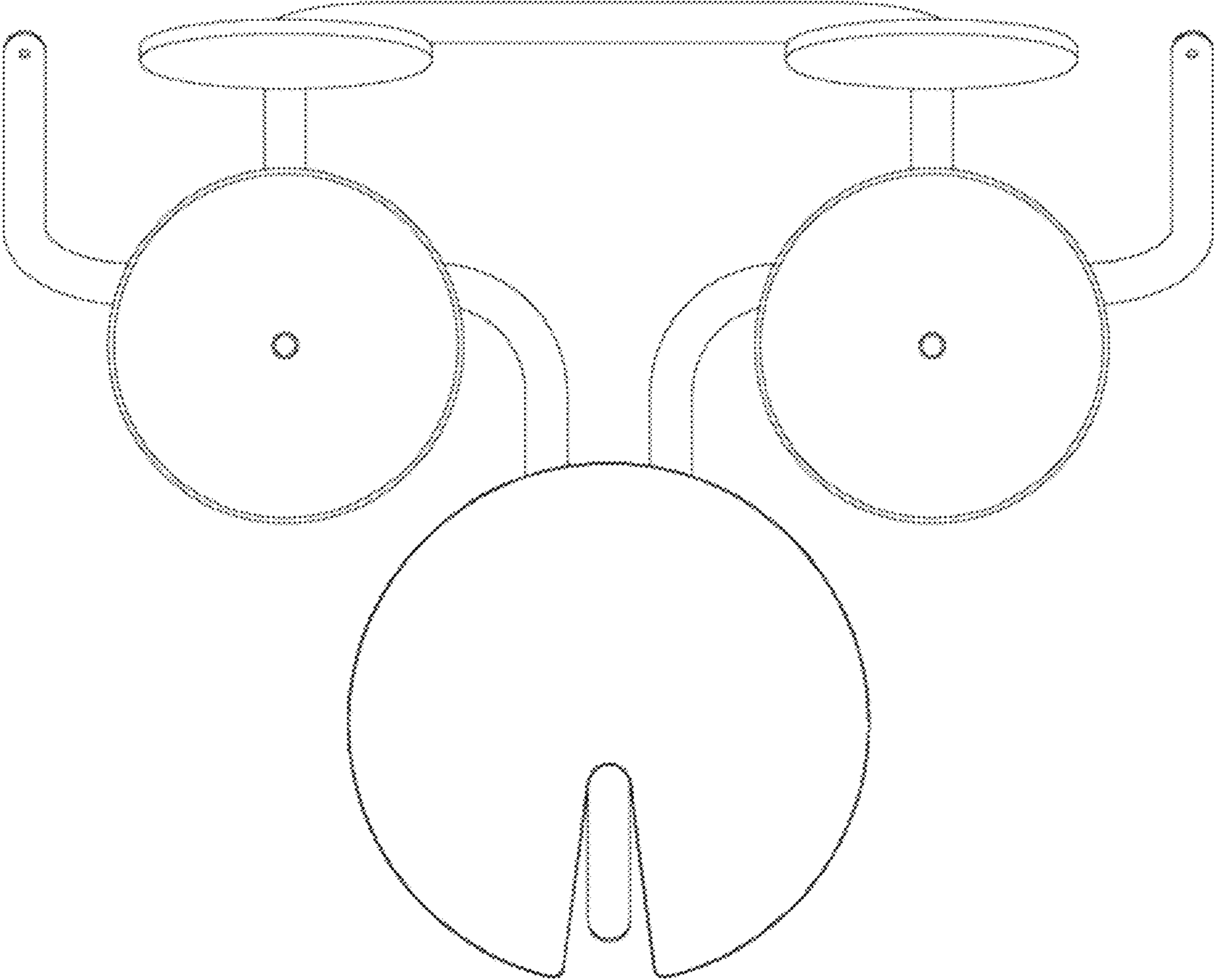


1.1

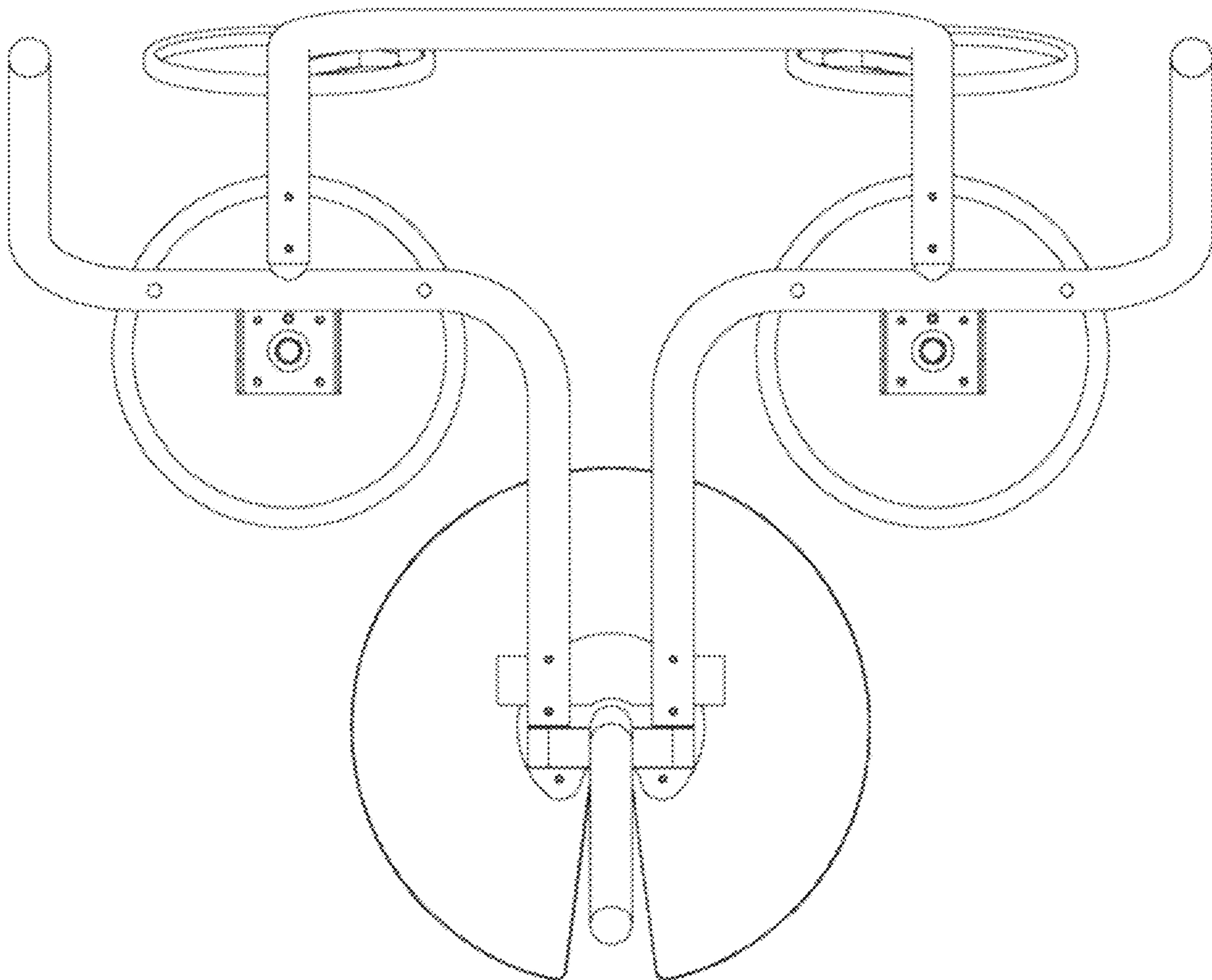


1.2

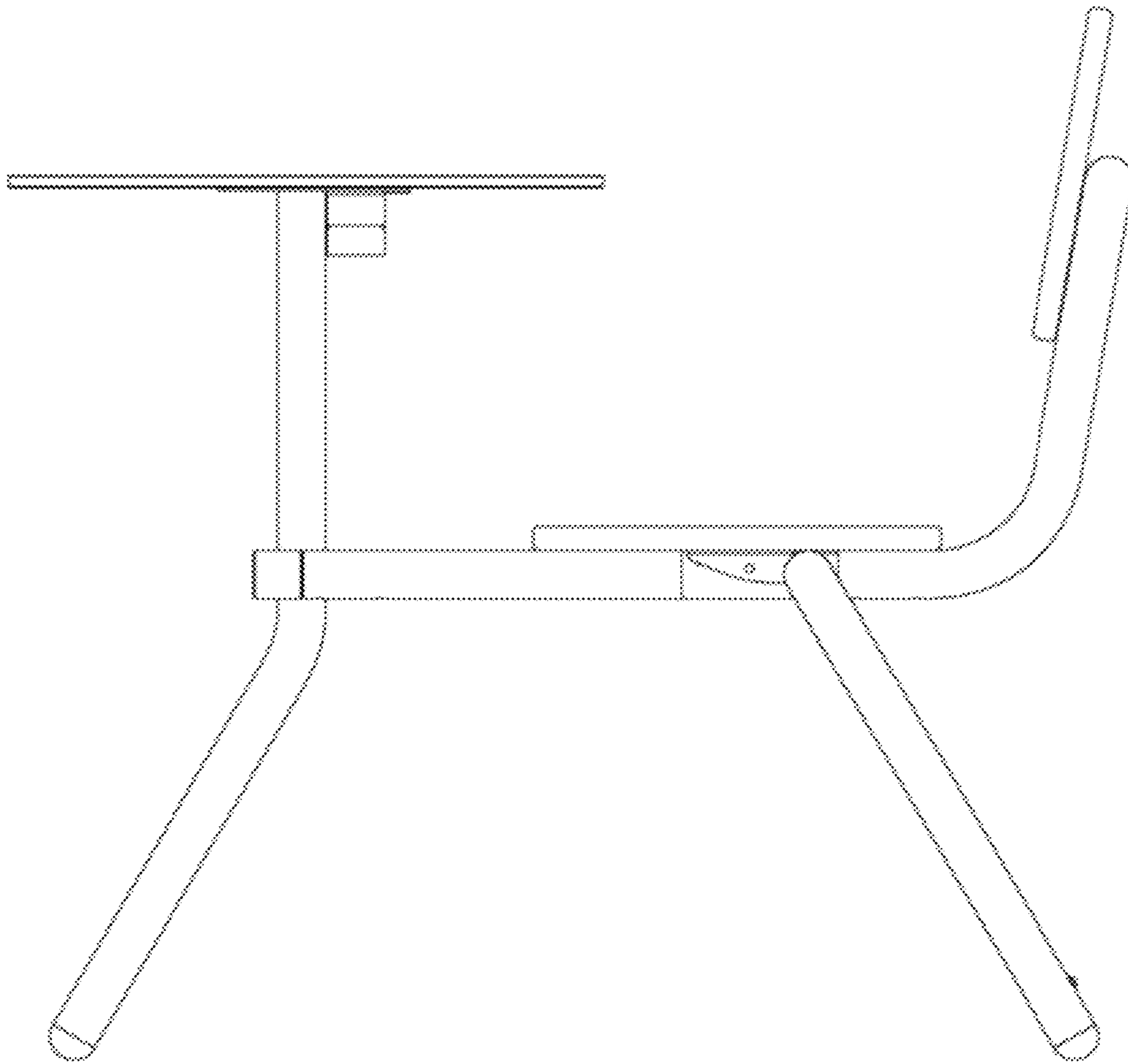
1.3



1.4



1.5



1.6

