



US00D880876S

(12) **United States Design Patent**  
**Morris et al.**

(10) **Patent No.:** **US D880,876 S**  
(45) **Date of Patent:** **\*\* Apr. 14, 2020**

- (54) **FREE STANDING HEADREST**
- (71) Applicants: **Christina Morris**, Brooklyn, NY (US);  
**Dominick Tutrone**, Brooklyn, NY (US)
- (72) Inventors: **Christina Morris**, Brooklyn, NY (US);  
**Dominick Tutrone**, Brooklyn, NY (US)
- (\*\*) Term: **15 Years**
- (21) Appl. No.: **29/656,855**
- (22) Filed: **Jul. 17, 2018**
- (51) **LOC (12) Cl.** ..... **06-03**
- (52) **U.S. Cl.**  
USPC ..... **D6/329**; D6/349; D6/716.5
- (58) **Field of Classification Search**  
USPC ..... D6/334, 349-353, 355, 364-365,  
D6/691-691.9, 692-692.6, 709, 710,  
D6/716-716.1, 716.5, 719, 329, 382, 392;  
D25/65  
CPC ..... A47B 7/00-02; A47C 11/00; A47C 12/00;  
A47C 13/00; A47C 16/00; A47C  
16/02-04; A47C 9/00-105; A47K 17/02;  
A47K 17/028  
See application file for complete search history.

(56) **References Cited**

U.S. PATENT DOCUMENTS

245,639	A	8/1881	Lay	
1,038,388	A	9/1912	Kiessig	
3,262,406	A *	7/1966	Nickolaisen	A47C 3/18 297/461
3,977,028	A	8/1976	Chang	
D257,879	S	1/1981	Hicks	
D265,951	S *	8/1982	Simpson	D6/352
6,270,160	B1 *	8/2001	Blake	A47C 7/383 297/393
6,467,843	B1 *	10/2002	Rosborough	A47C 3/34 108/150
7,748,064	B2	7/2010	Hamilton	

8,500,075	B2 *	8/2013	Frost	B60P 3/1008 248/176.1
D719,749	S *	12/2014	Hernandez	D6/349
9,226,587	B2	1/2016	Halimi	
9,770,110	B1 *	9/2017	Biggs	A47C 7/383
D799,841	S *	10/2017	Williams	D6/349
D808,196	S *	1/2018	Schumacher	D6/601
10,172,468	B2 *	1/2019	Houghson	A47C 16/00
D841,362	S *	2/2019	Vance	A47C 16/00 D6/595
10,517,401	B2 *	12/2019	Zanayed	A47C 4/54
2002/0050009	A1 *	5/2002	Ley	A47C 16/00 5/657
2004/0262865	A1 *	12/2004	Sigler	A47C 16/00 280/47.27

(Continued)

*Primary Examiner* — Vy N Koenig

(74) *Attorney, Agent, or Firm* — Goldstein Law Offices, P.C.

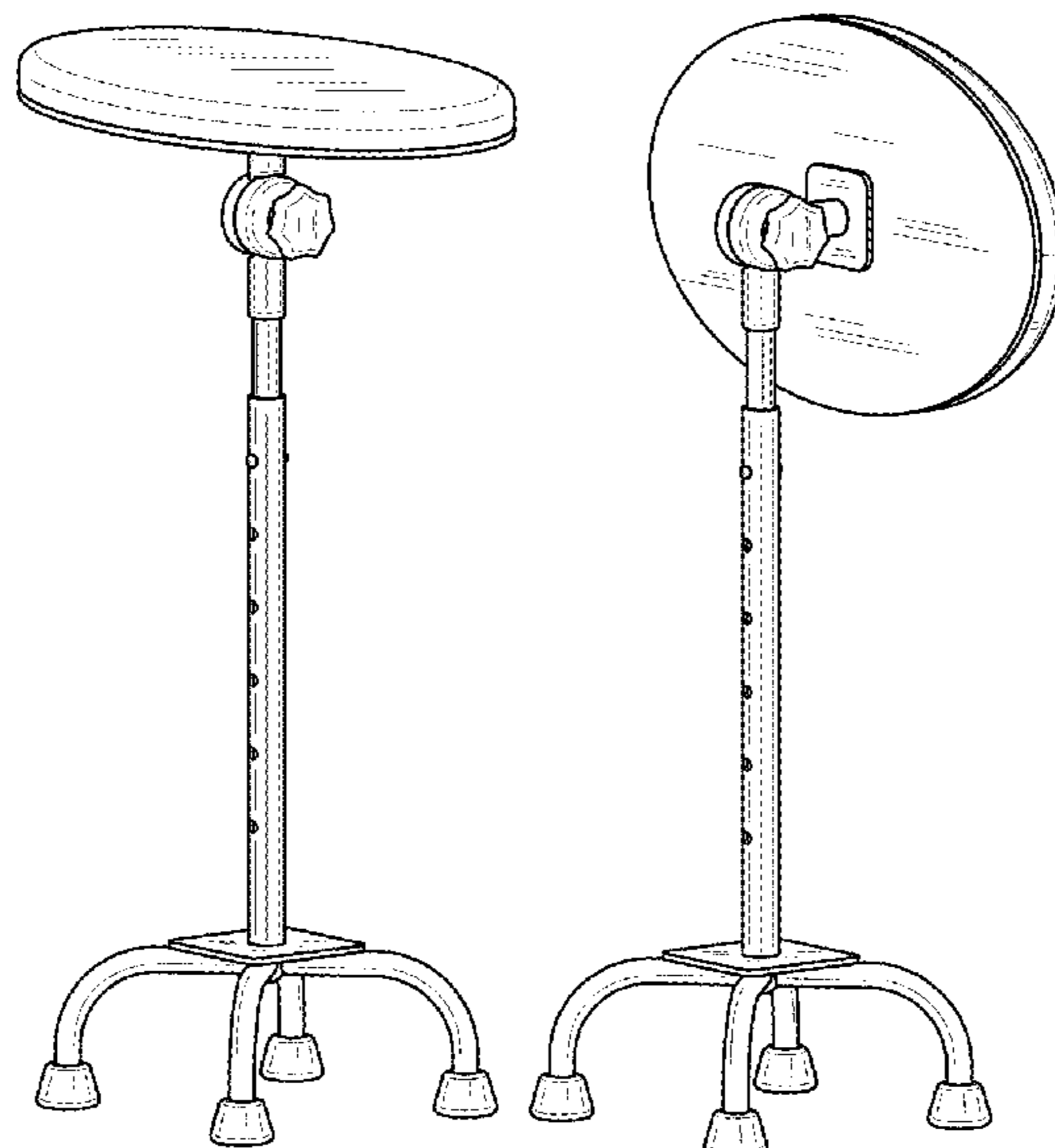
(57) **CLAIM**

The ornamental design for a free standing headrest, as shown and described.

**DESCRIPTION**

FIG. 1 is a perspective view of the free standing headrest. FIG. 2 is a front elevational view thereof. FIG. 3 is a rear elevational view thereof. FIG. 4 is a top plan view thereof. FIG. 5 is a bottom plan view thereof. FIG. 6 is a left side elevational view thereof. FIG. 7 is a right side elevational view thereof. FIG. 8 is a perspective view of the free standing headrest in an alternate position. FIG. 9 is a front elevational view thereof. FIG. 10 is a rear elevational view thereof. FIG. 11 is a top plan view thereof. FIG. 12 is a bottom plan view thereof. FIG. 13 is a left side elevational view thereof; and, FIG. 14 is a right side elevational view thereof.

**1 Claim, 8 Drawing Sheets**



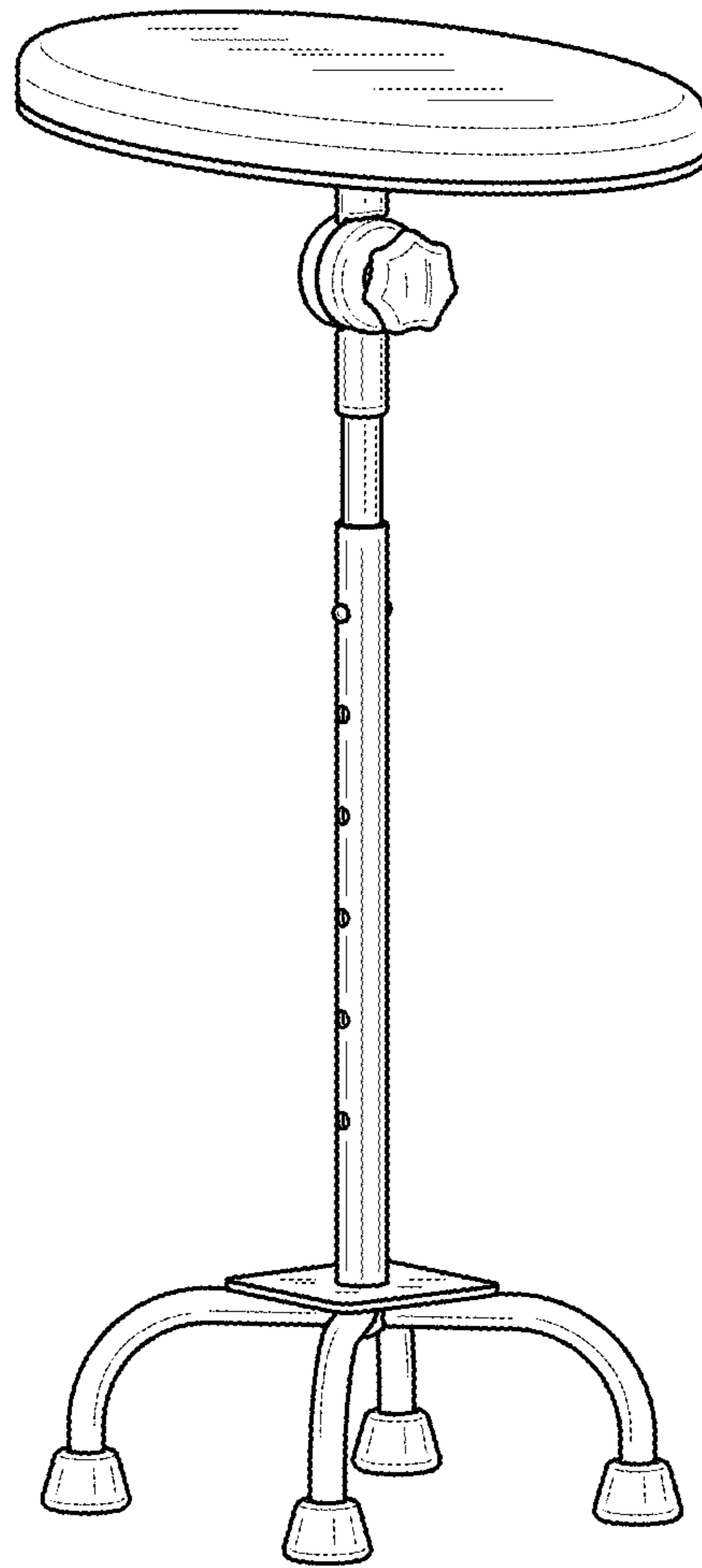
(56)

**References Cited**

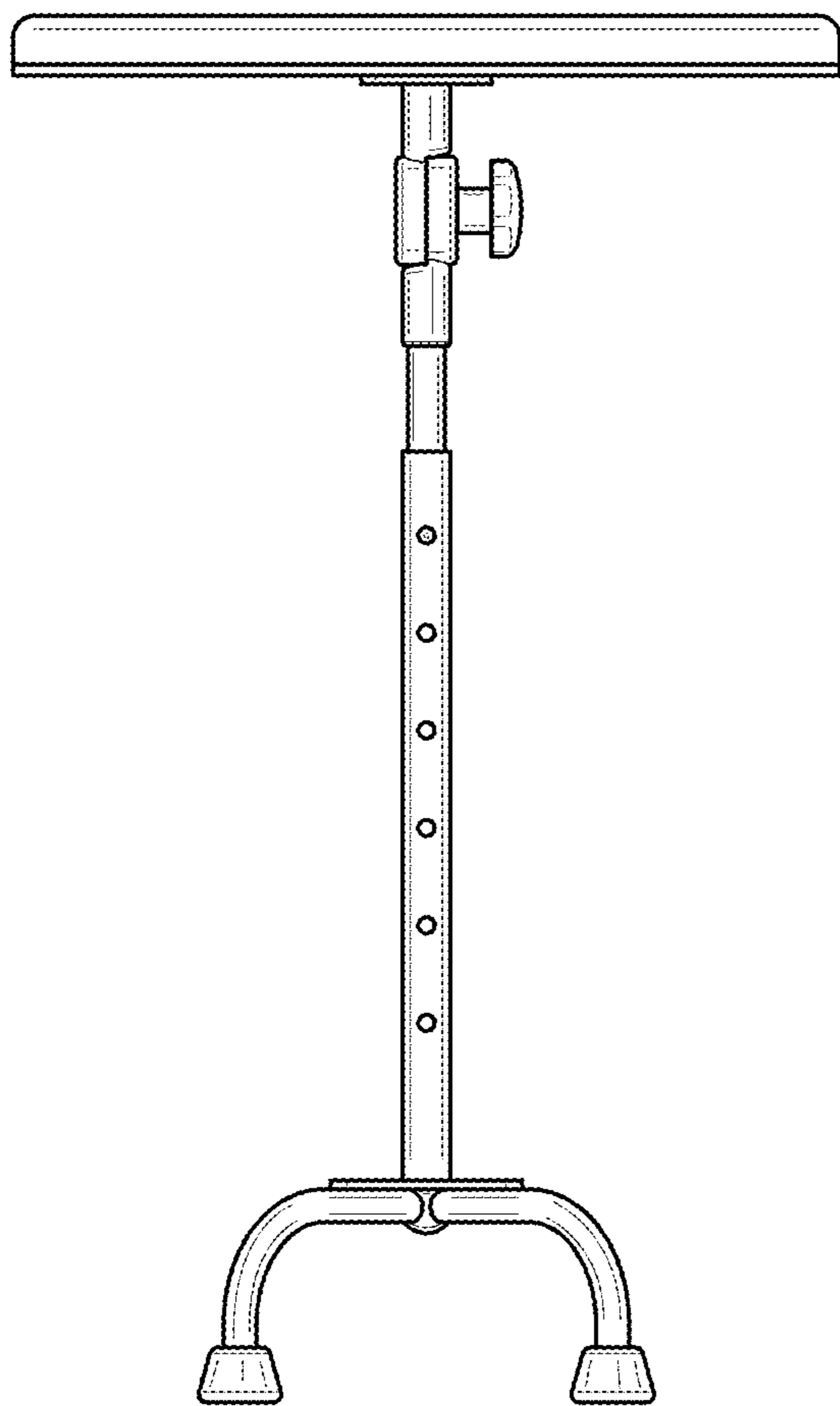
U.S. PATENT DOCUMENTS

2016/0022100 A1 1/2016 Khaytman

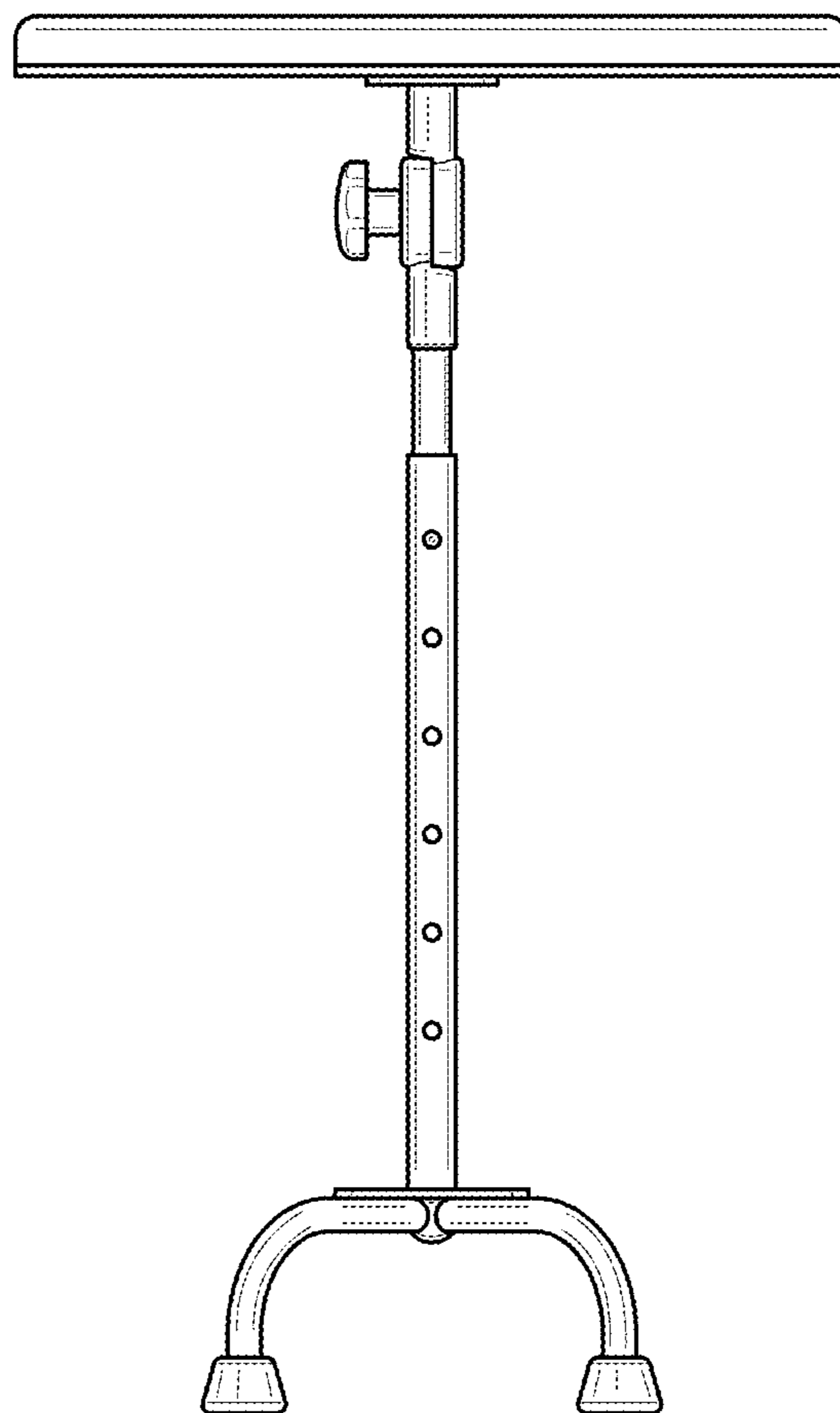
\* cited by examiner



*FIG. 1*



*FIG. 2*



*FIG. 3*

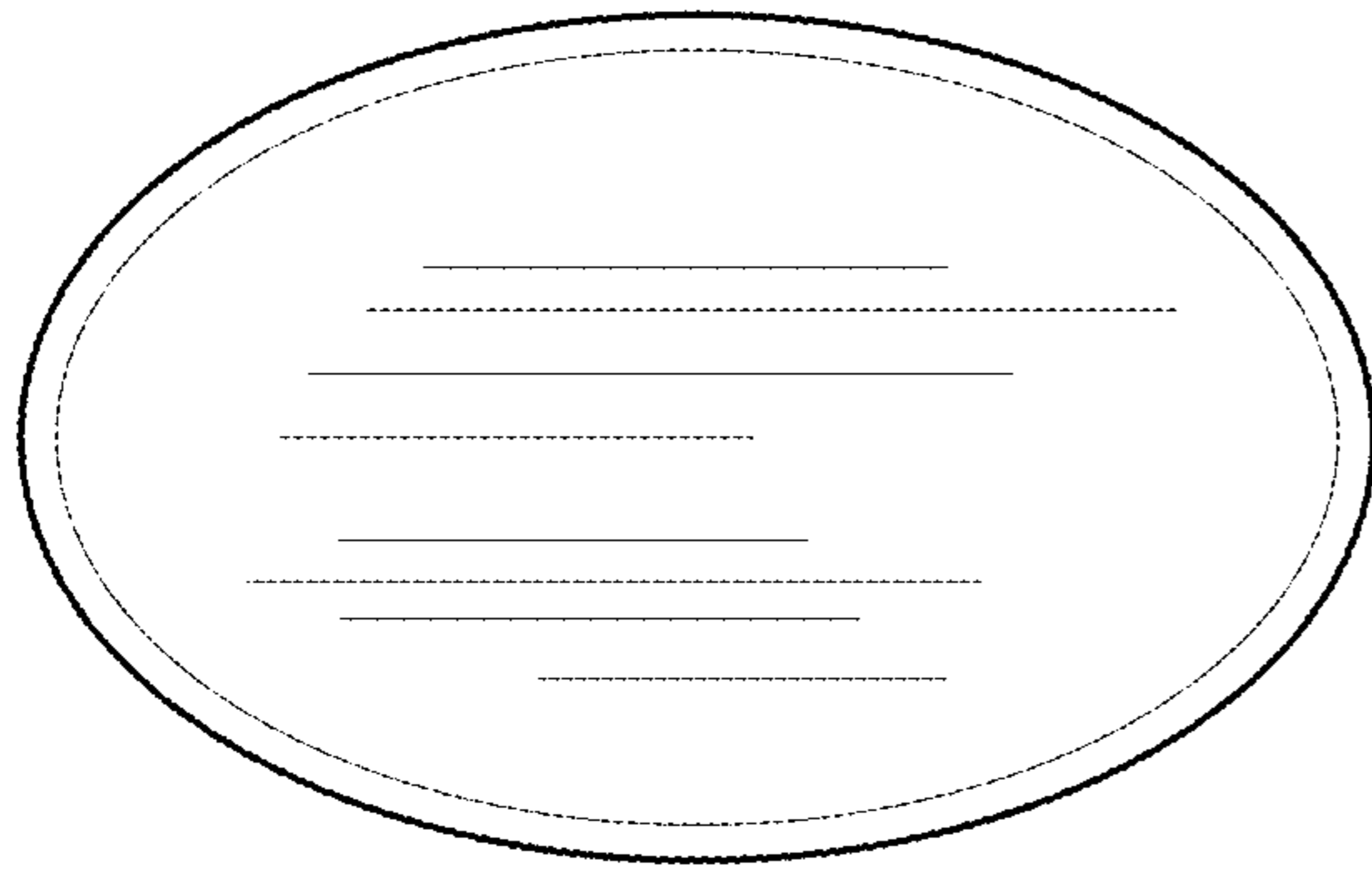


FIG. 4

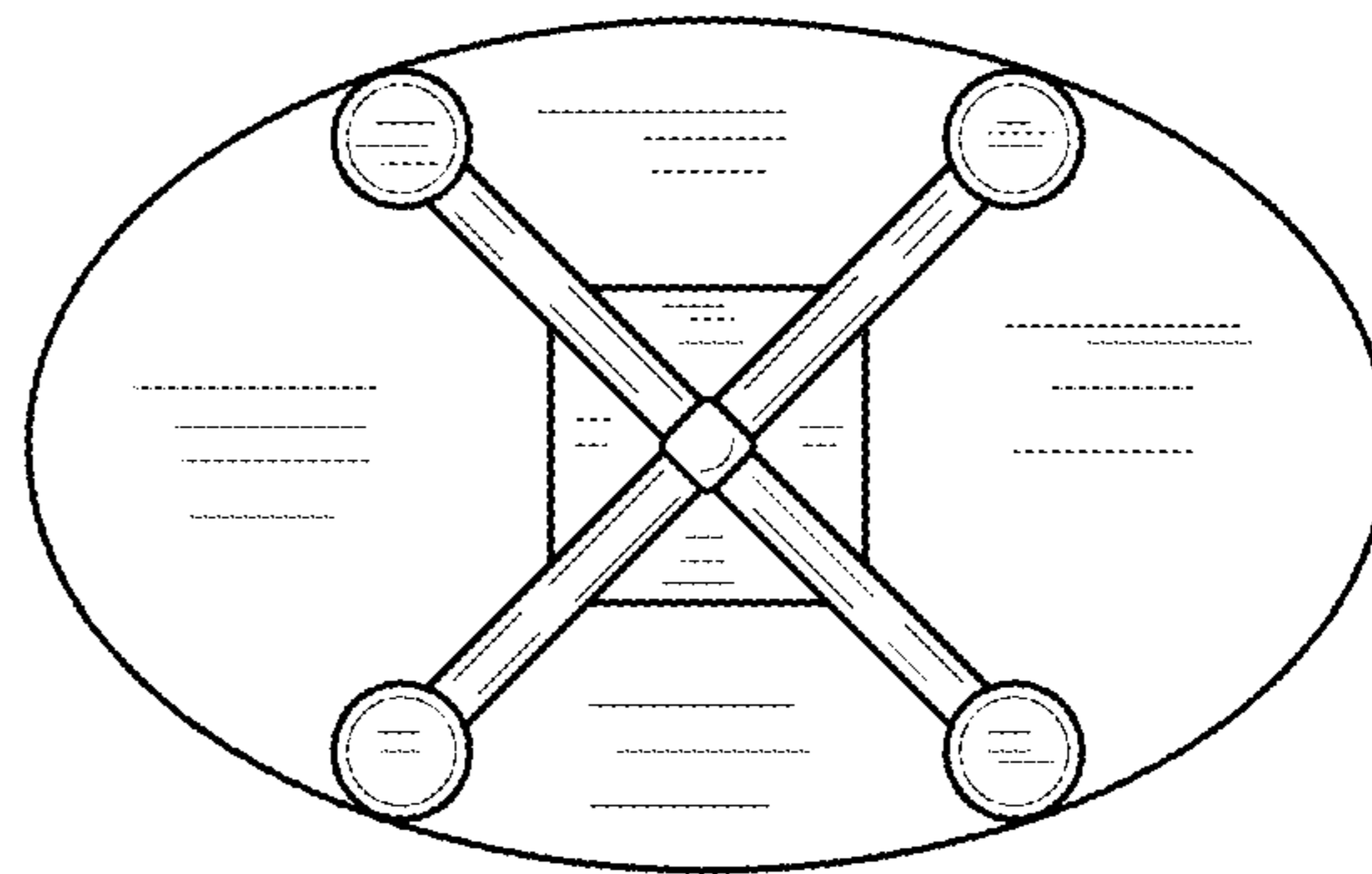
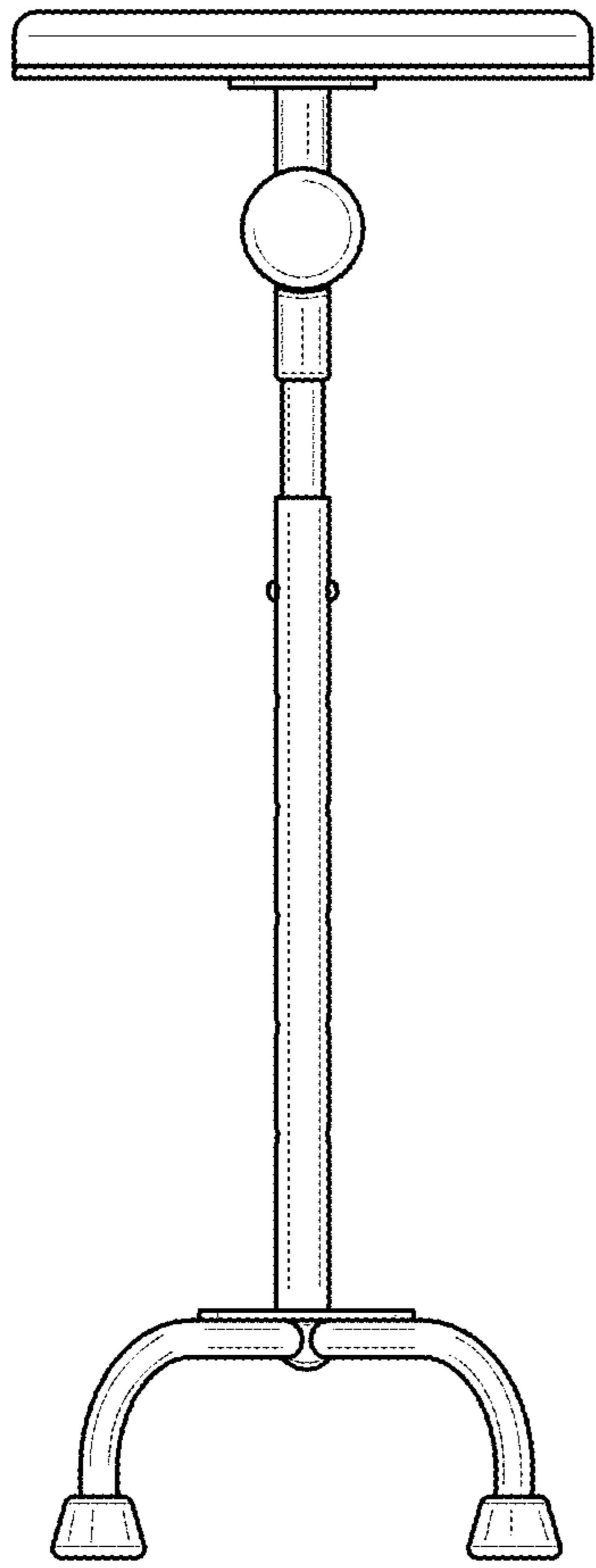
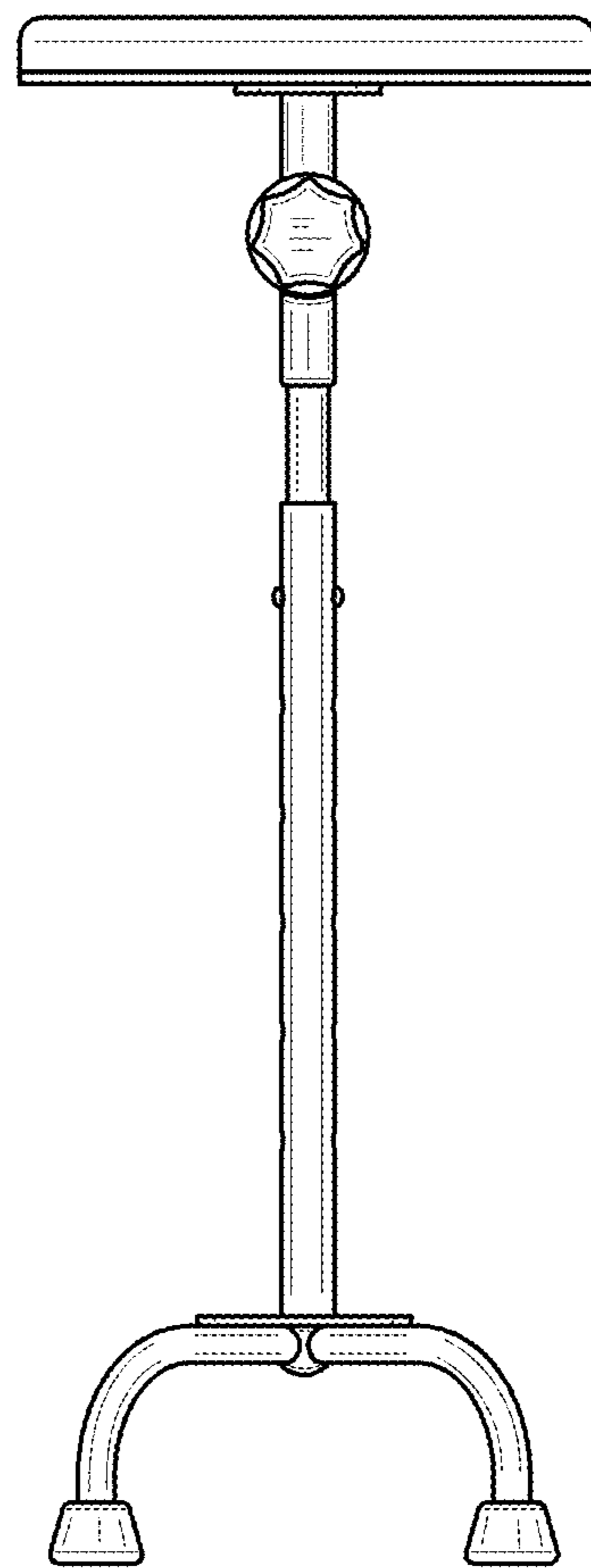


FIG. 5



*FIG. 6*



*FIG. 7*

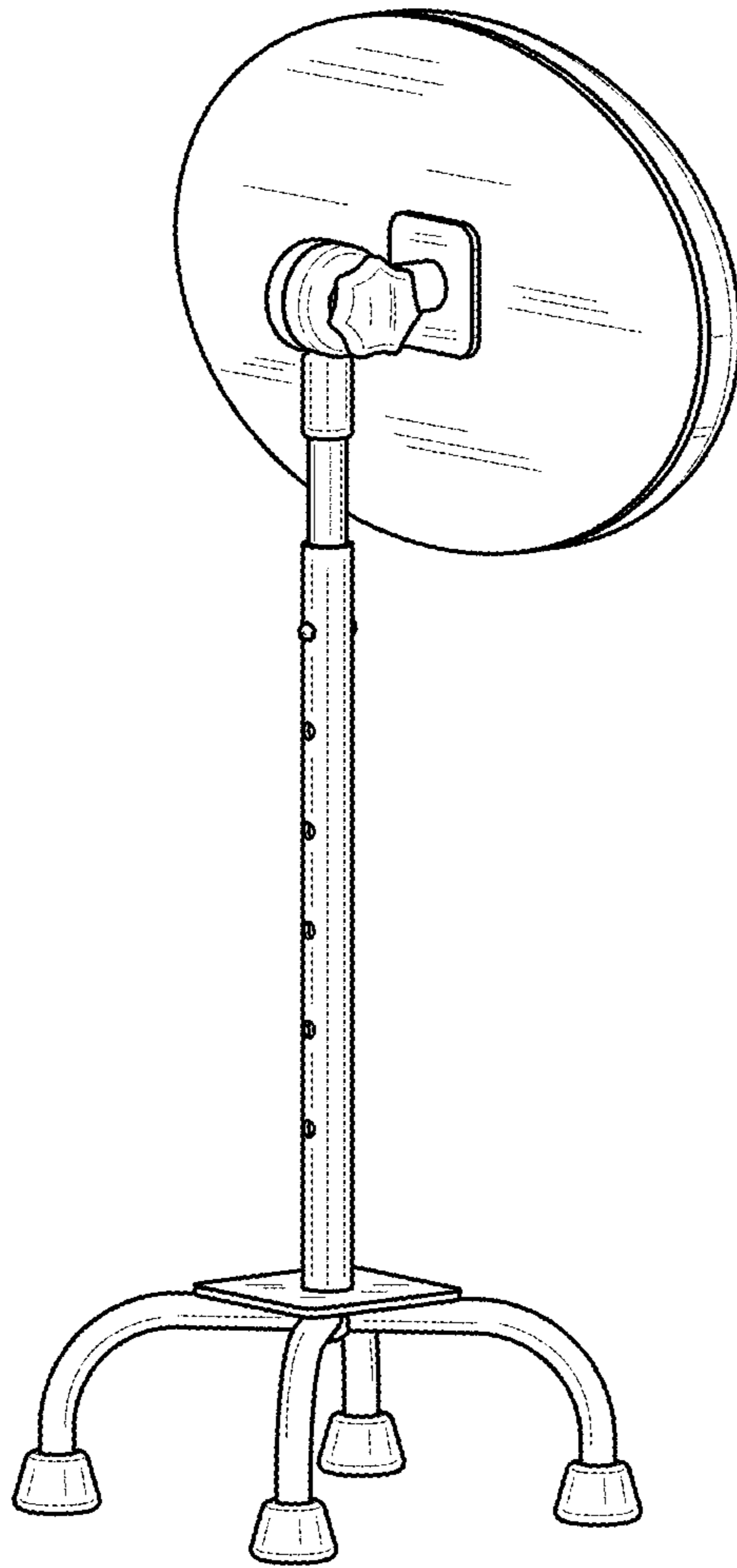


FIG. 8

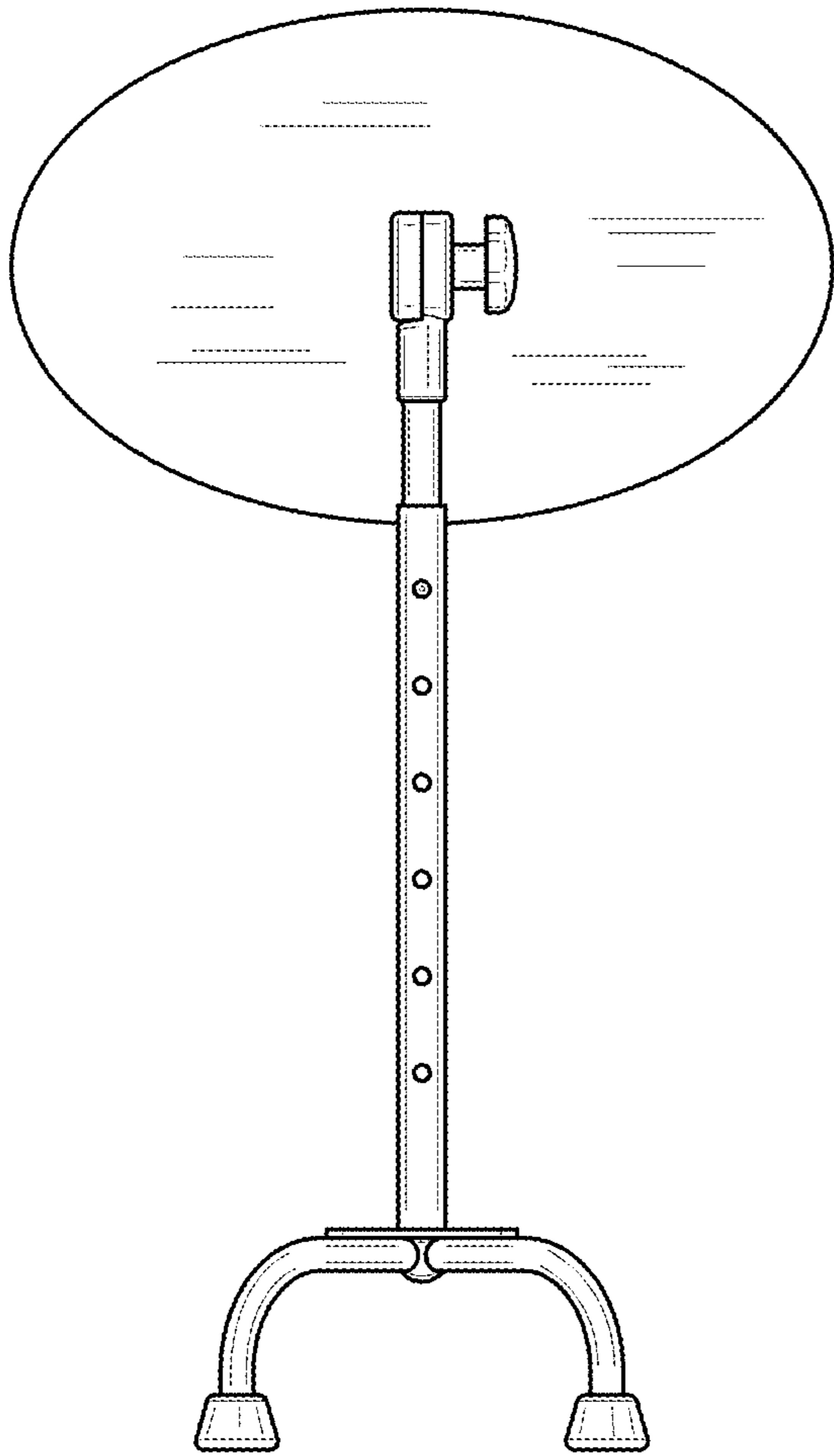


FIG. 9

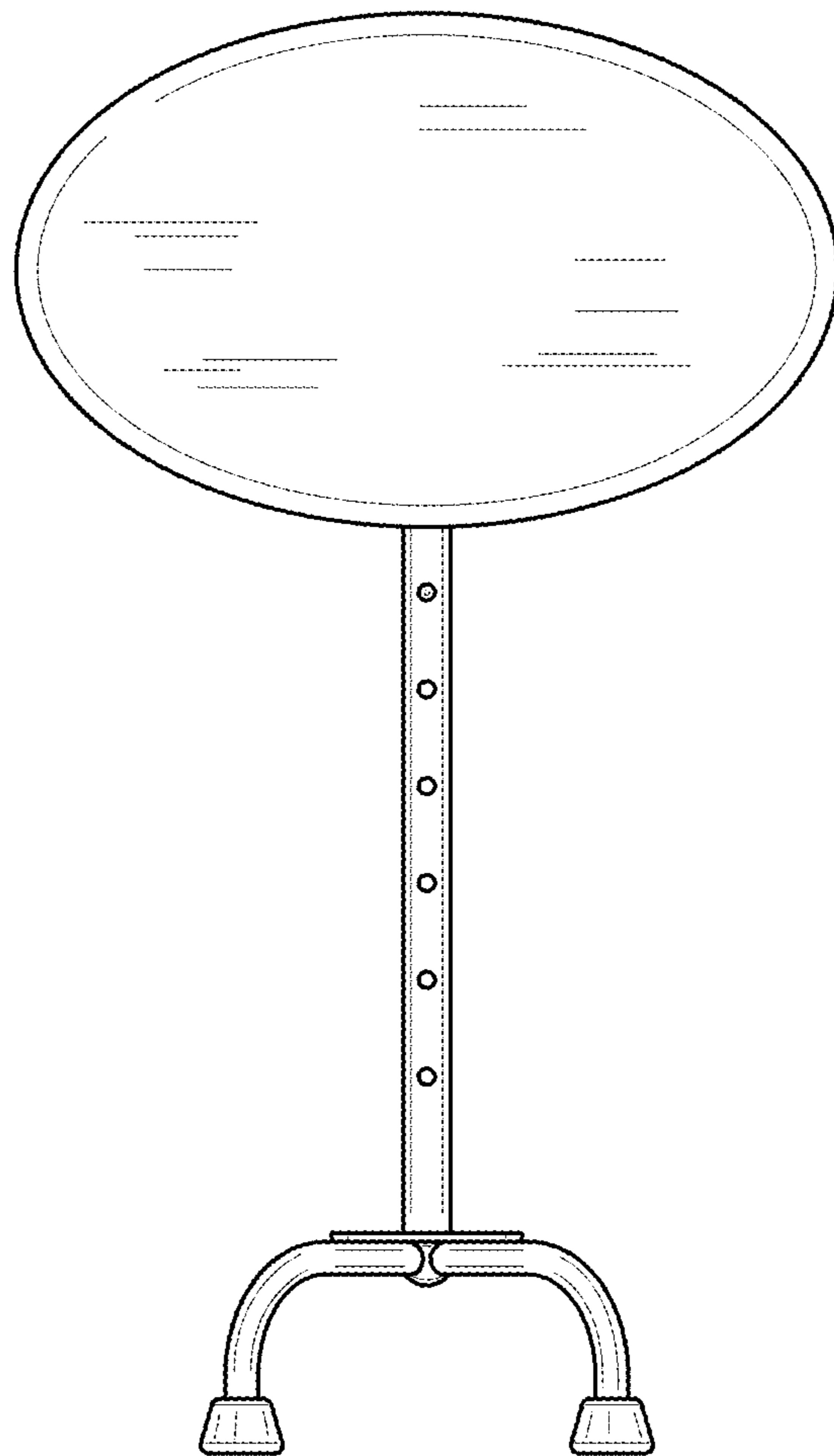
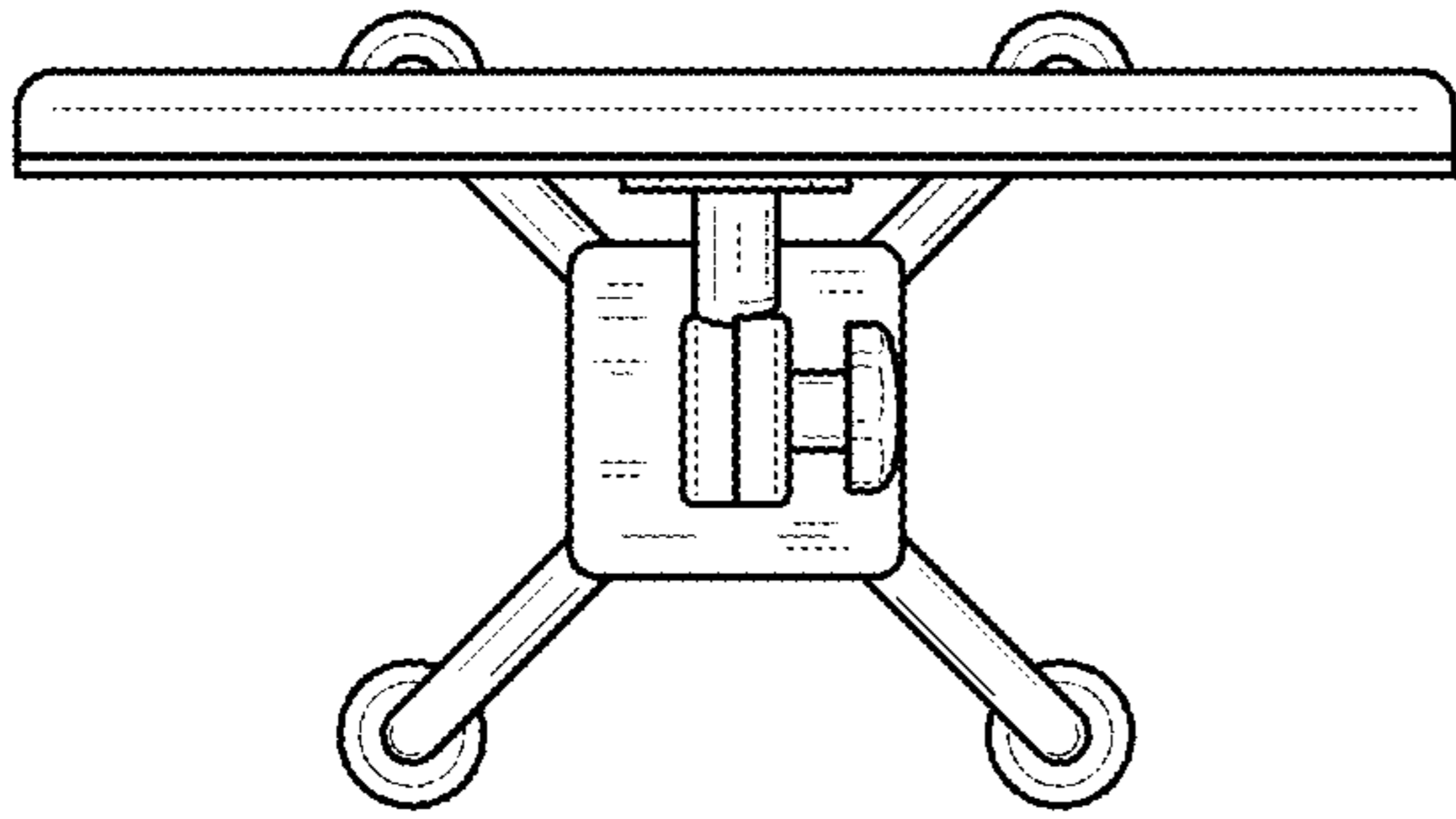
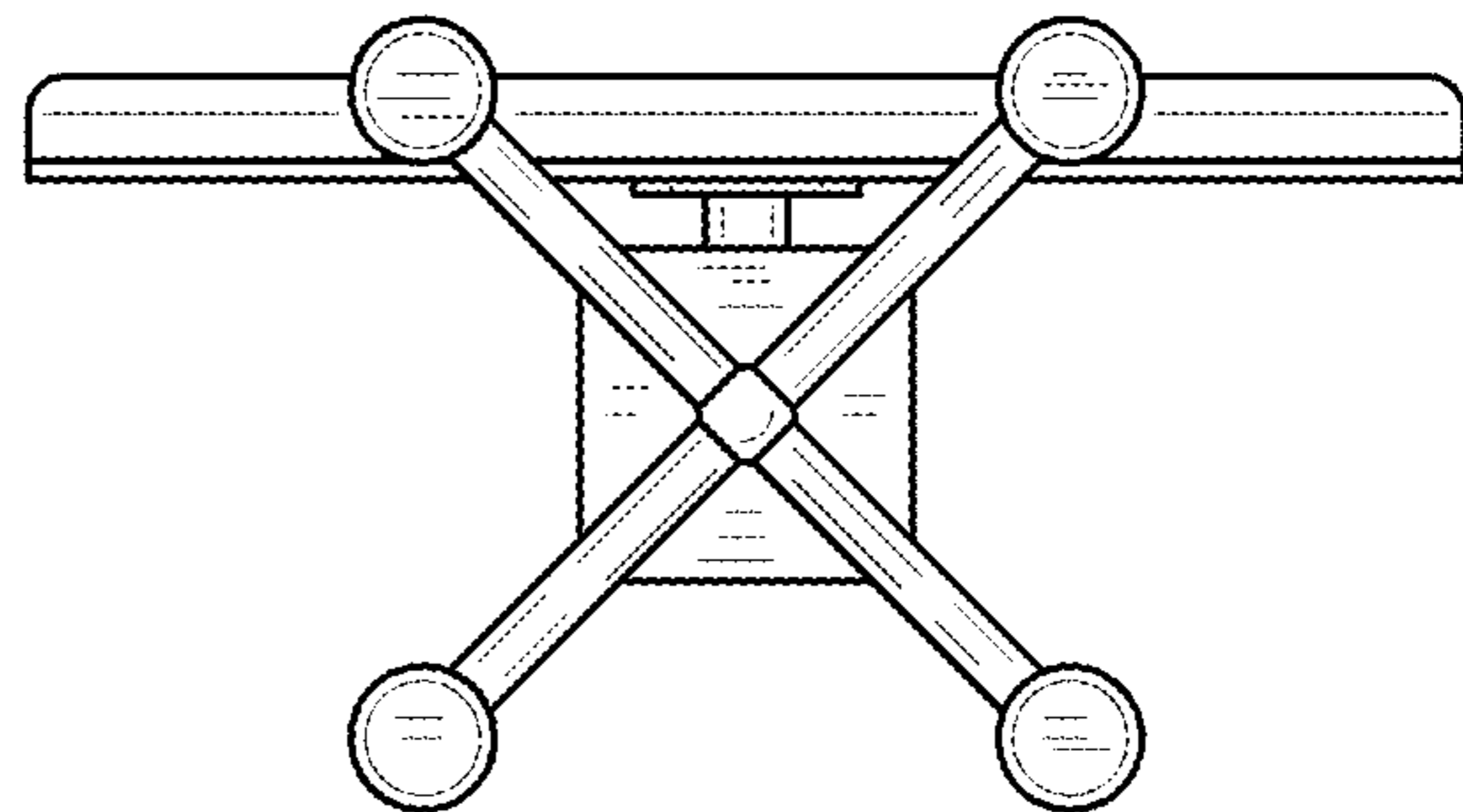


FIG. 10

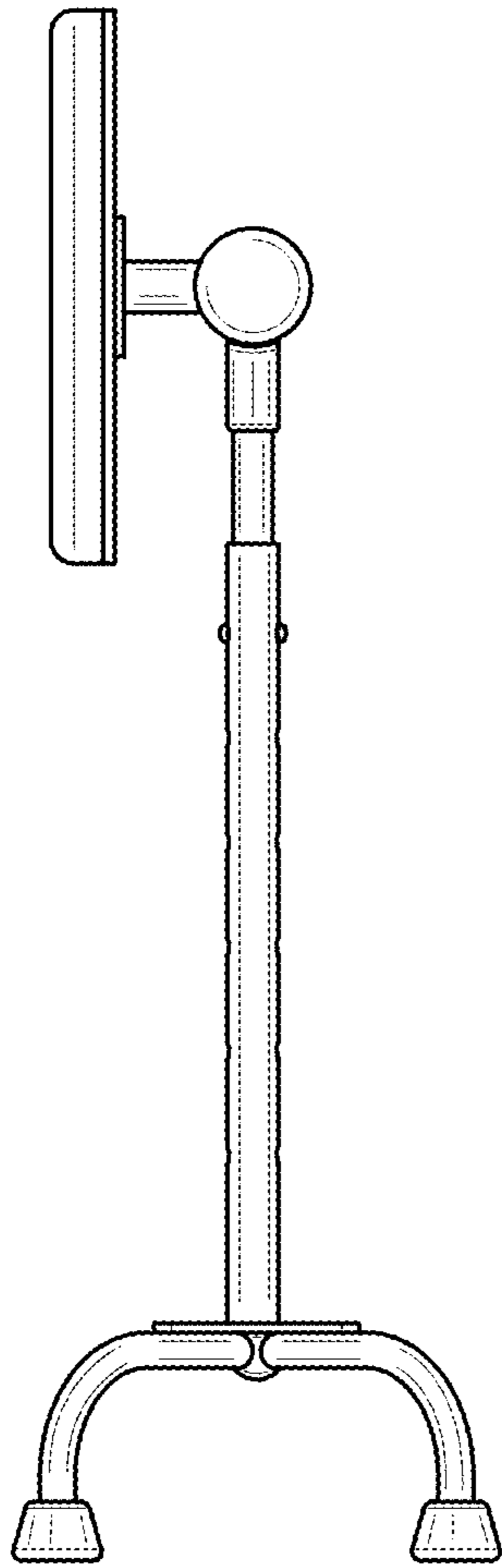




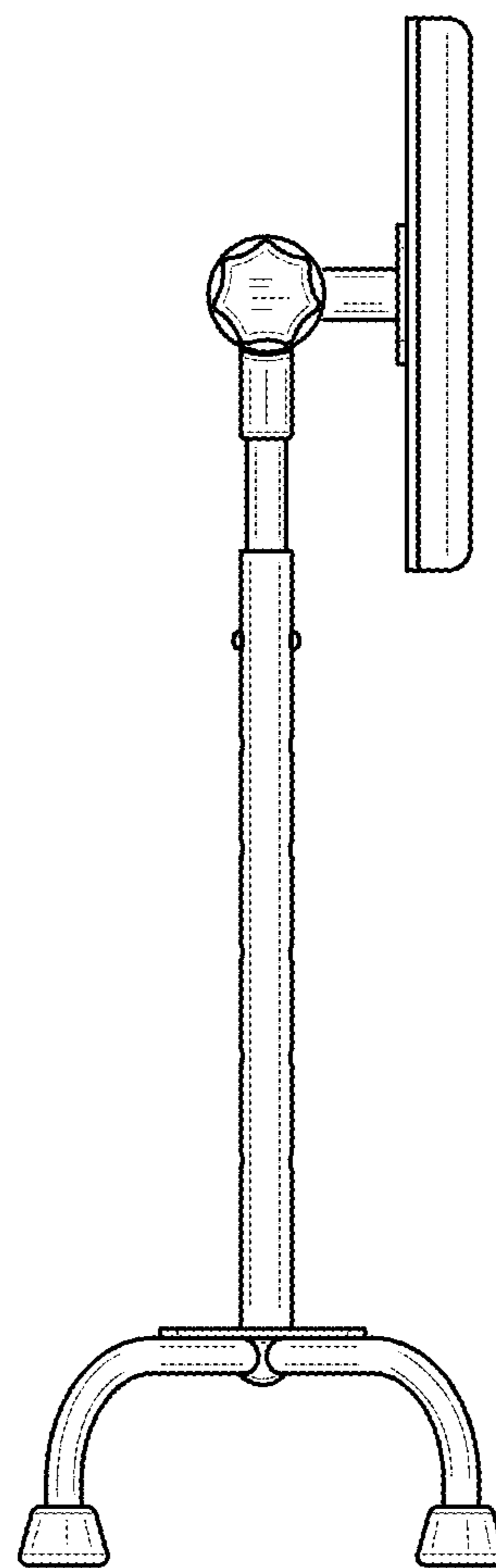
*FIG. 11*



*FIG. 12*



*FIG. 13*



*FIG. 14*