



US00D880866S

(12) **United States Design Patent**
Fujikura

(10) **Patent No.:** **US D880,866 S**

(45) **Date of Patent:** **** Apr. 14, 2020**

(54) **STRAP FOR BAG**

(71) Applicant: **KRONGTHIP INC.**, Tokyo (JP)

(72) Inventor: **Kazumi Fujikura**, Tokyo (JP)

(73) Assignee: **AUL PATENT FIRM**, Tokyo (JP)

(**) Term: **15 Years**

(21) Appl. No.: **29/661,136**

(22) Filed: **Aug. 24, 2018**

(30) **Foreign Application Priority Data**

Jun. 6, 2018 (JP) 2018-012387

(51) **LOC (12) Cl.** **03-01**

(52) **U.S. Cl.**
USPC **D3/327; D3/318**

(58) **Field of Classification Search**
USPC D3/232-233, 240-243, 245-246, 318,
D3/327
CPC A45C 3/06; A45C 1/024; A45C 13/10;
A45F 3/04; A45F 5/10; A45F 5/14; A63B
55/00
See application file for complete search history.

(56) **References Cited**

U.S. PATENT DOCUMENTS

D359,836 S * 7/1995 Shuler D29/101.5
D570,603 S * 6/2008 Wu D3/327
D581,162 S * 11/2008 Walker D3/202
D646,895 S * 10/2011 Nolan A45F 3/14
D3/327

D732,295 S * 6/2015 Aafjes D3/318
D734,742 S * 7/2015 Fujioka D14/217
D741,067 S * 10/2015 Votel D3/327
D743,628 S * 11/2015 Millington D29/101.1

* cited by examiner

Primary Examiner — Holly H Baynham

(74) *Attorney, Agent, or Firm* — Oliff PLC

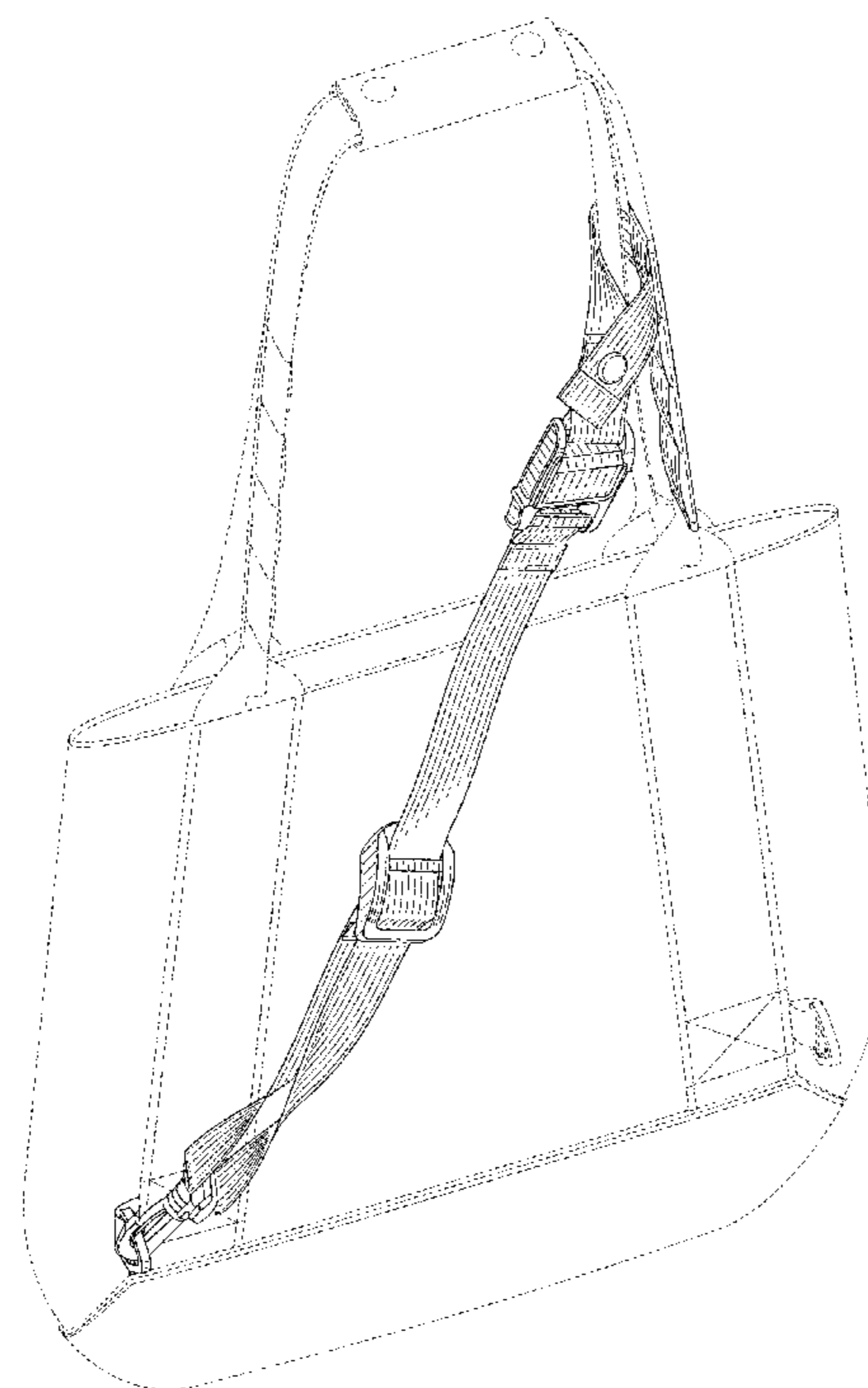
(57) **CLAIM**

The ornamental design for a strap for bag, as shown and described.

DESCRIPTION

FIG. 1 is a front, left-side, top perspective view of the strap for bag;
FIG. 2 is a rear, left-side, top perspective view thereof;
FIG. 3 is a front elevational view thereof;
FIG. 4 is a rear elevational view thereof;
FIG. 5 is a top plan view thereof;
FIG. 6 is a bottom plan view thereof;
FIG. 7 is a right-side elevational view thereof;
FIG. 8 is a left-side elevational view thereof;
FIG. 9 is a fourth reference view thereof showing the strap in a disconnected state;
FIG. 10 is a fifth reference view thereof showing the strap in a disconnected state; and,
FIG. 11 is a sixth reference view thereof showing the strap in a disconnected state with the clasp open.
The broken lines depict environmental subject matter, and thus form no part of the claimed design.

1 Claim, 11 Drawing Sheets



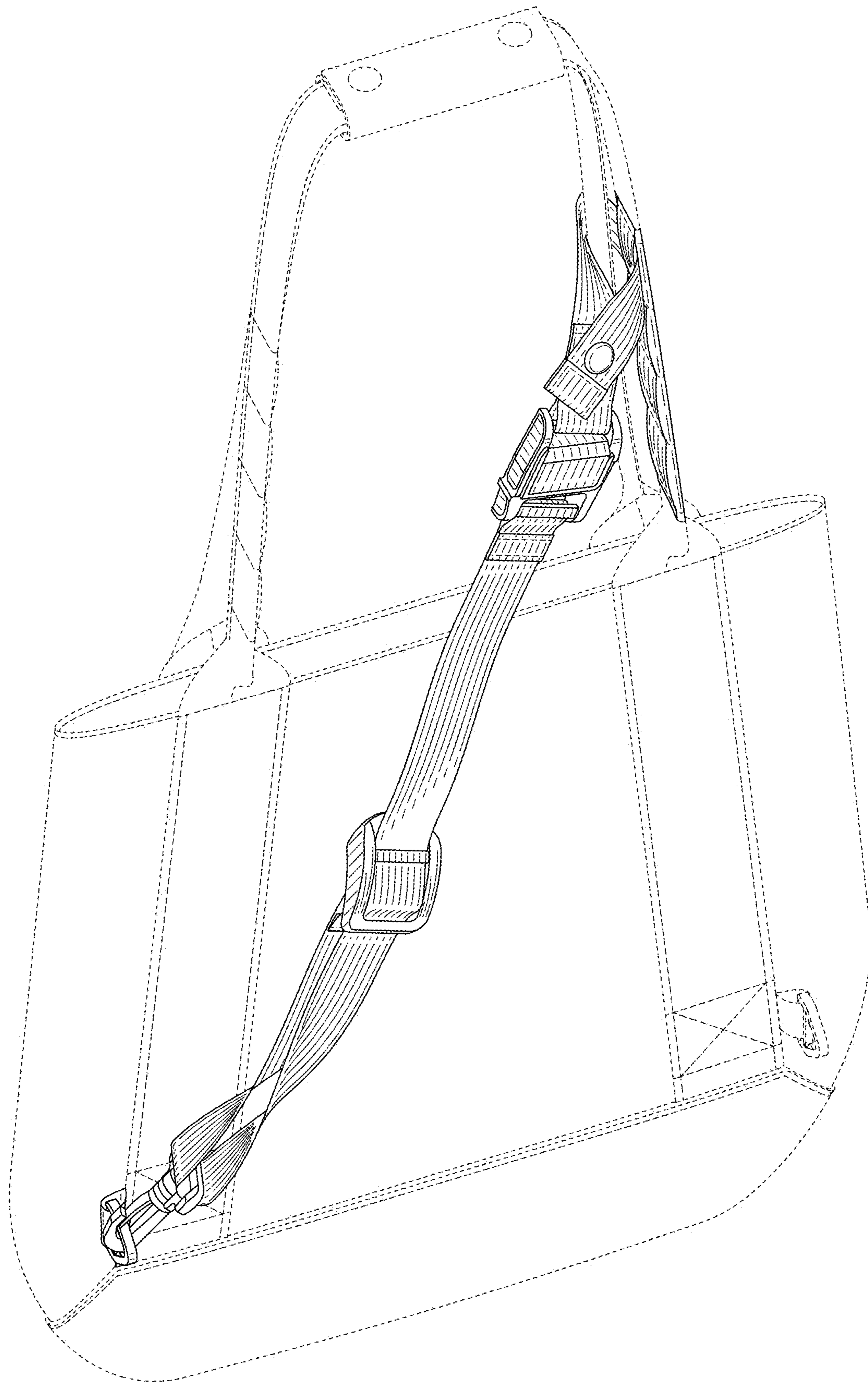


FIG.1

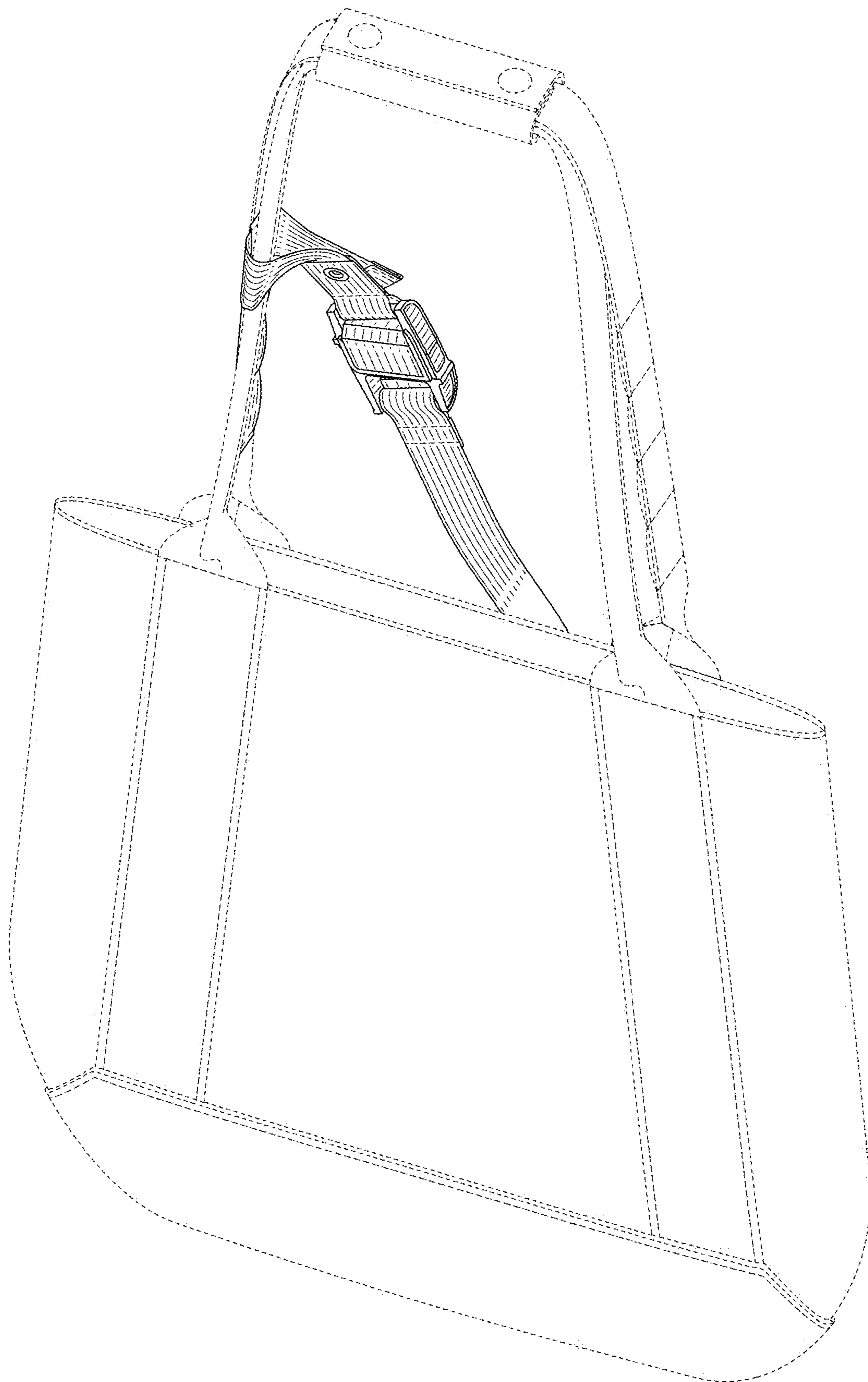


FIG.2

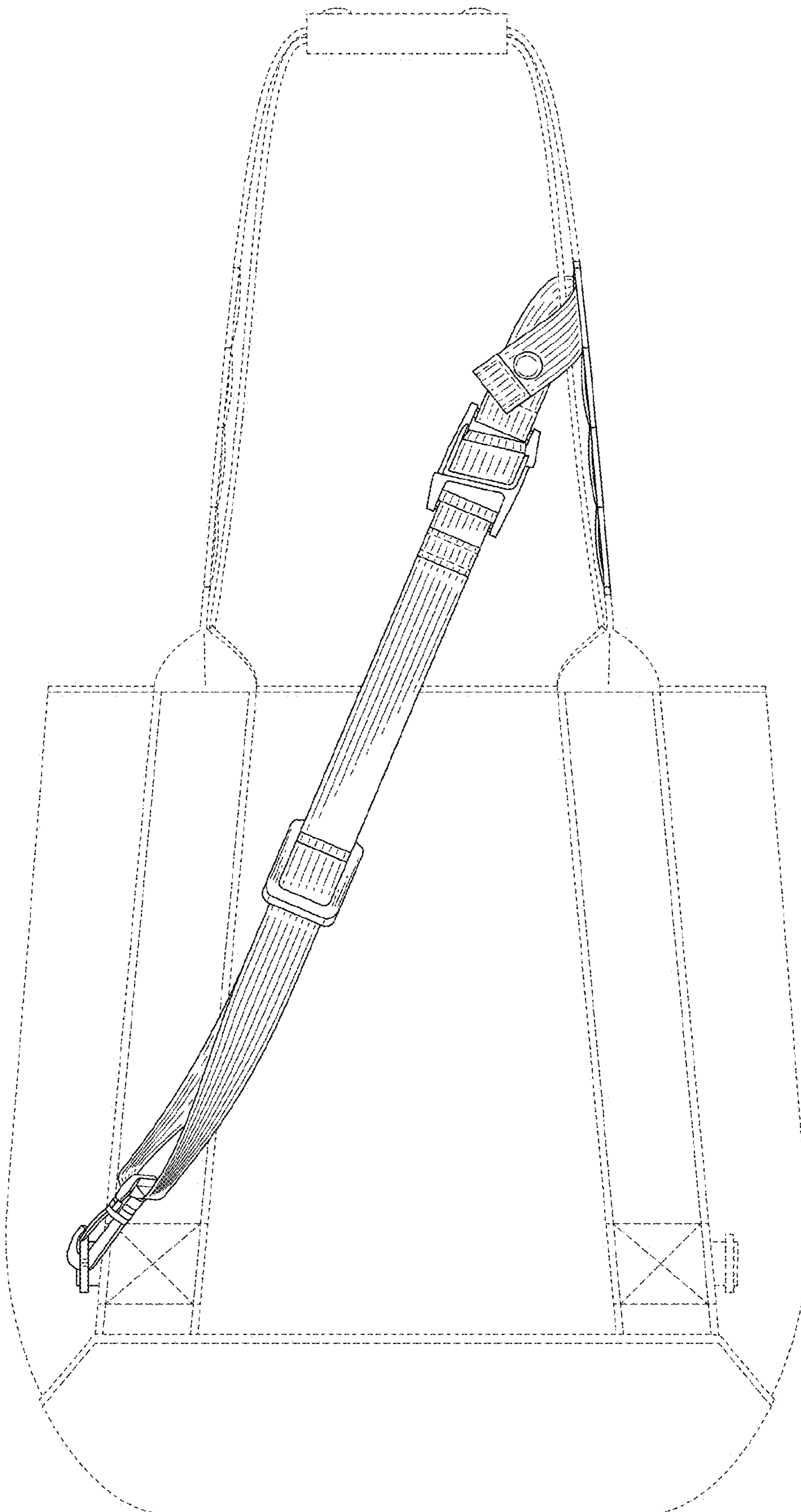


FIG.3

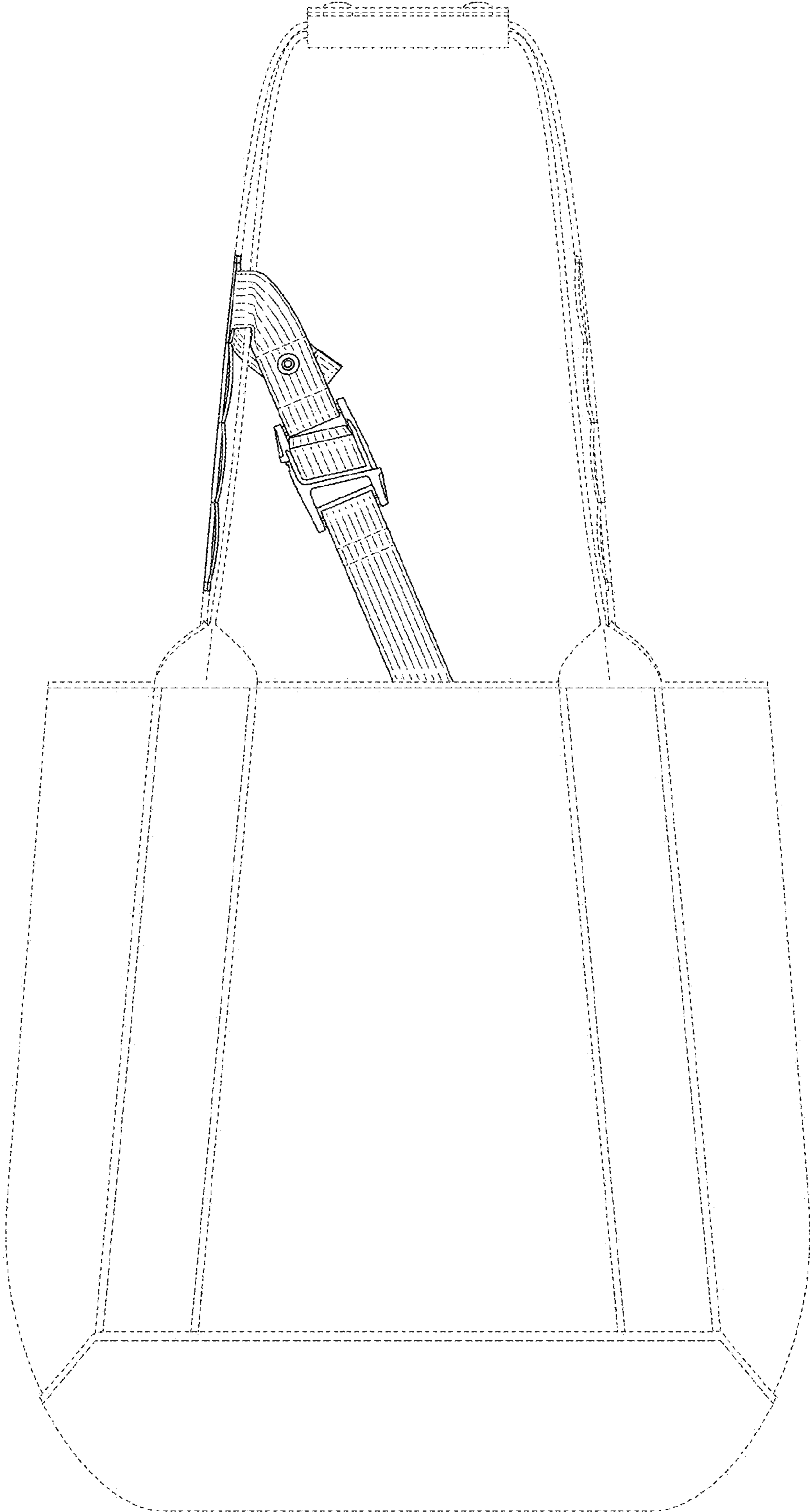


FIG.4

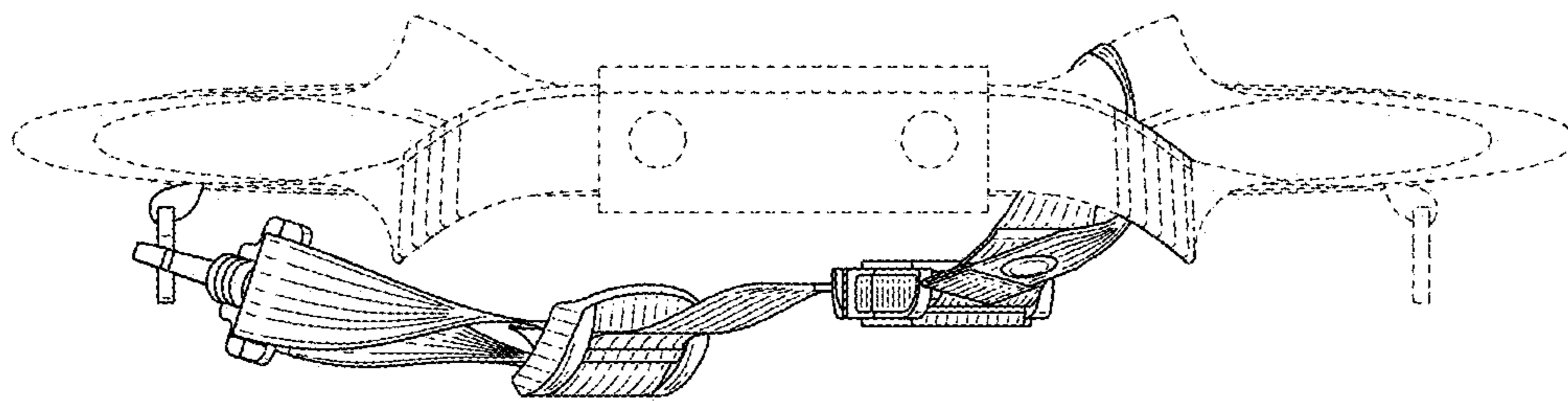


FIG. 5

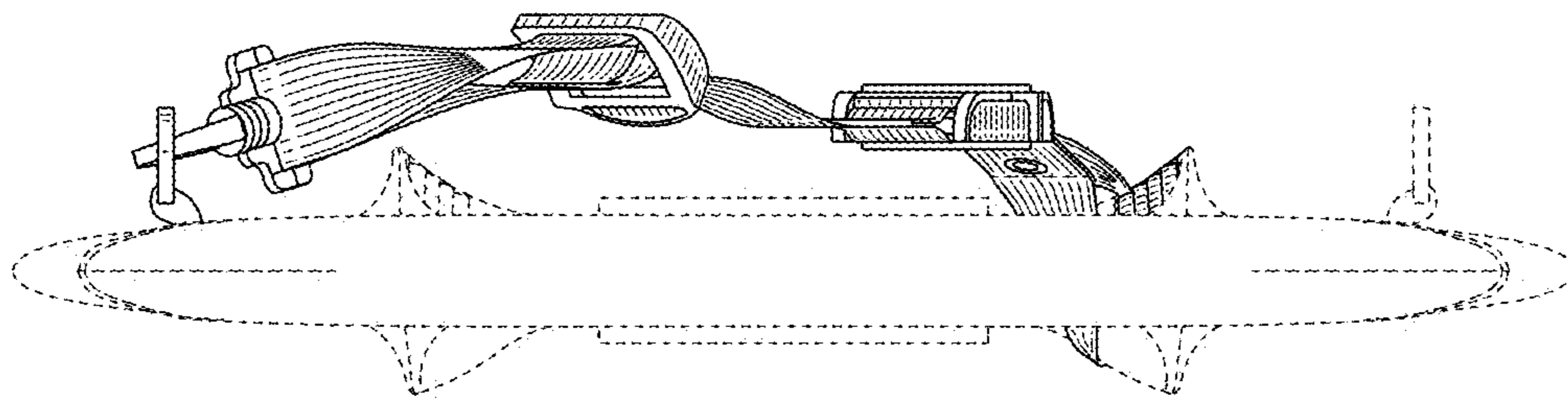


FIG.6

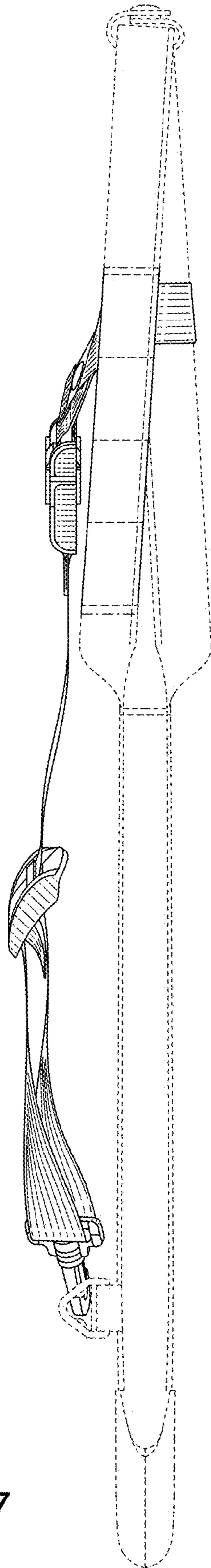


FIG.7

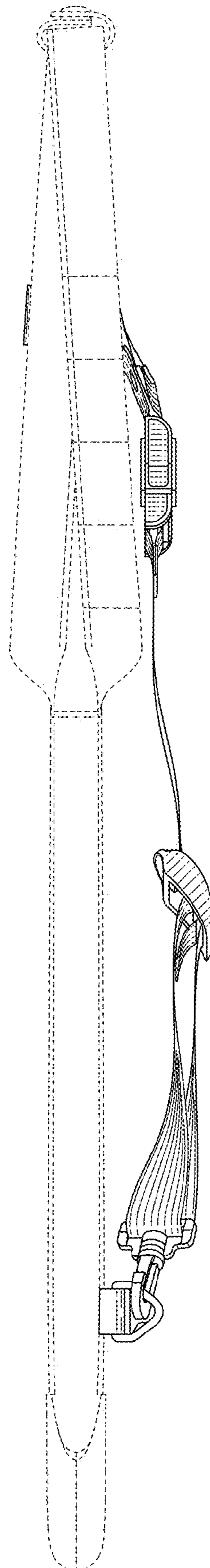


FIG.8

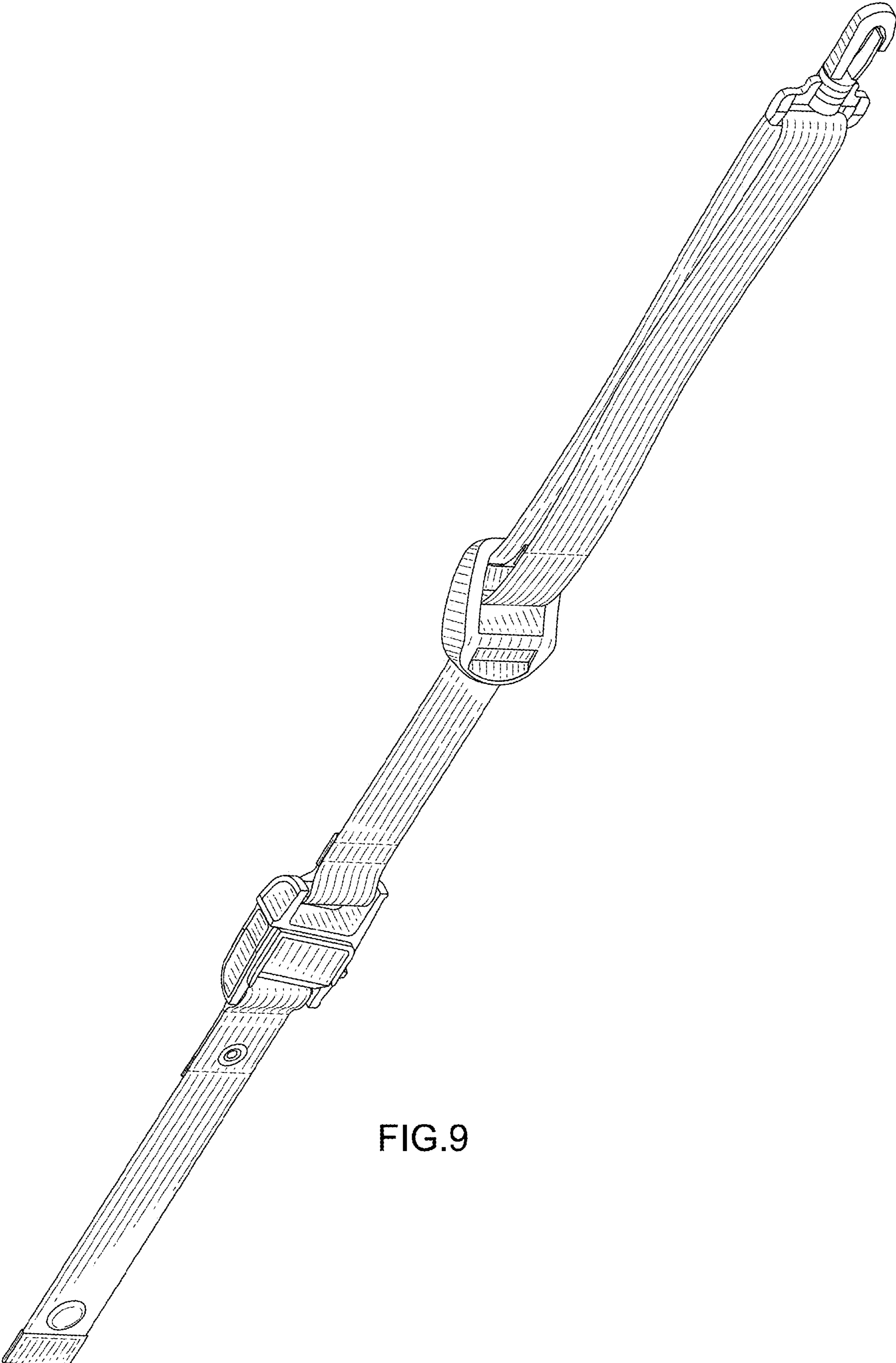


FIG.9

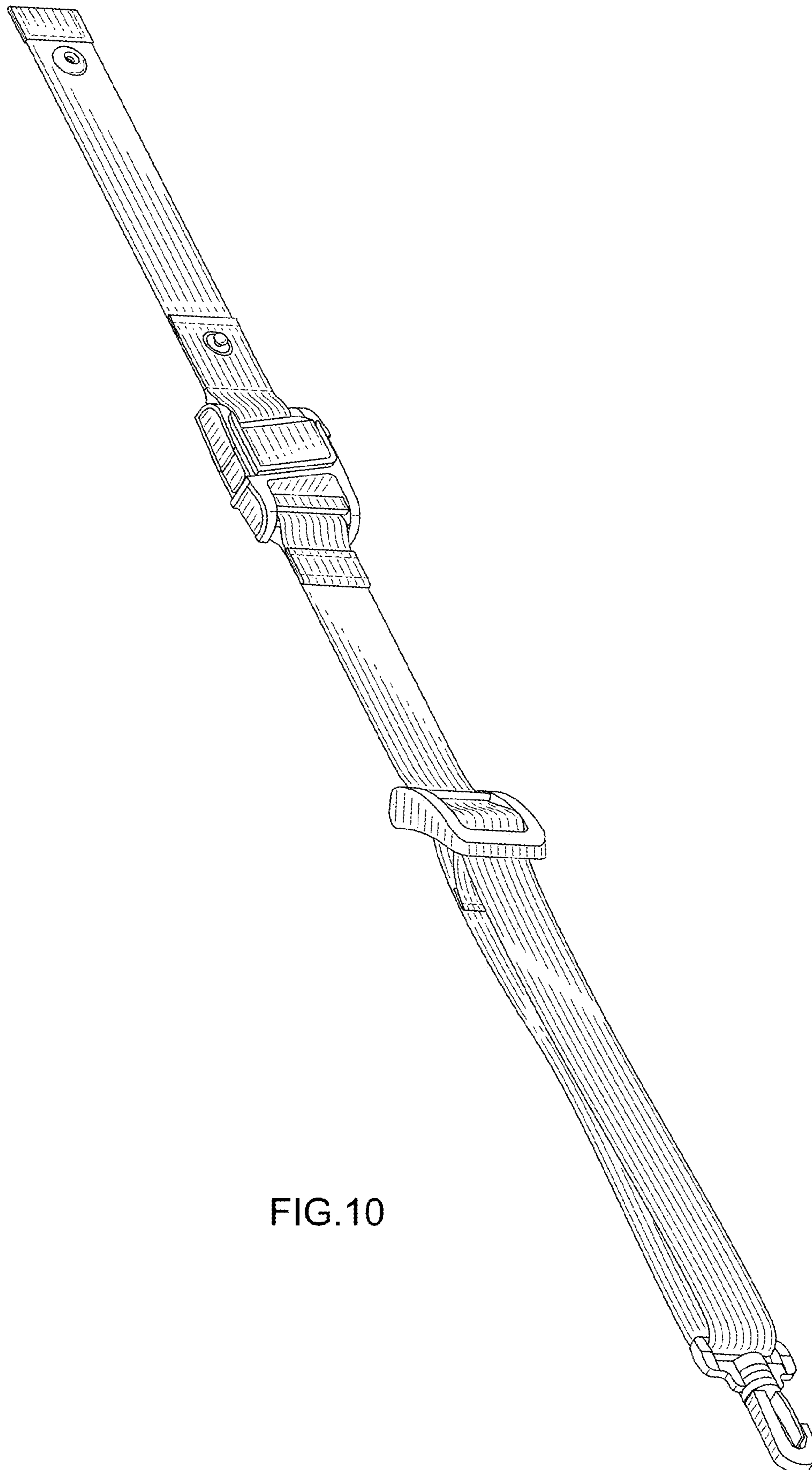


FIG.10

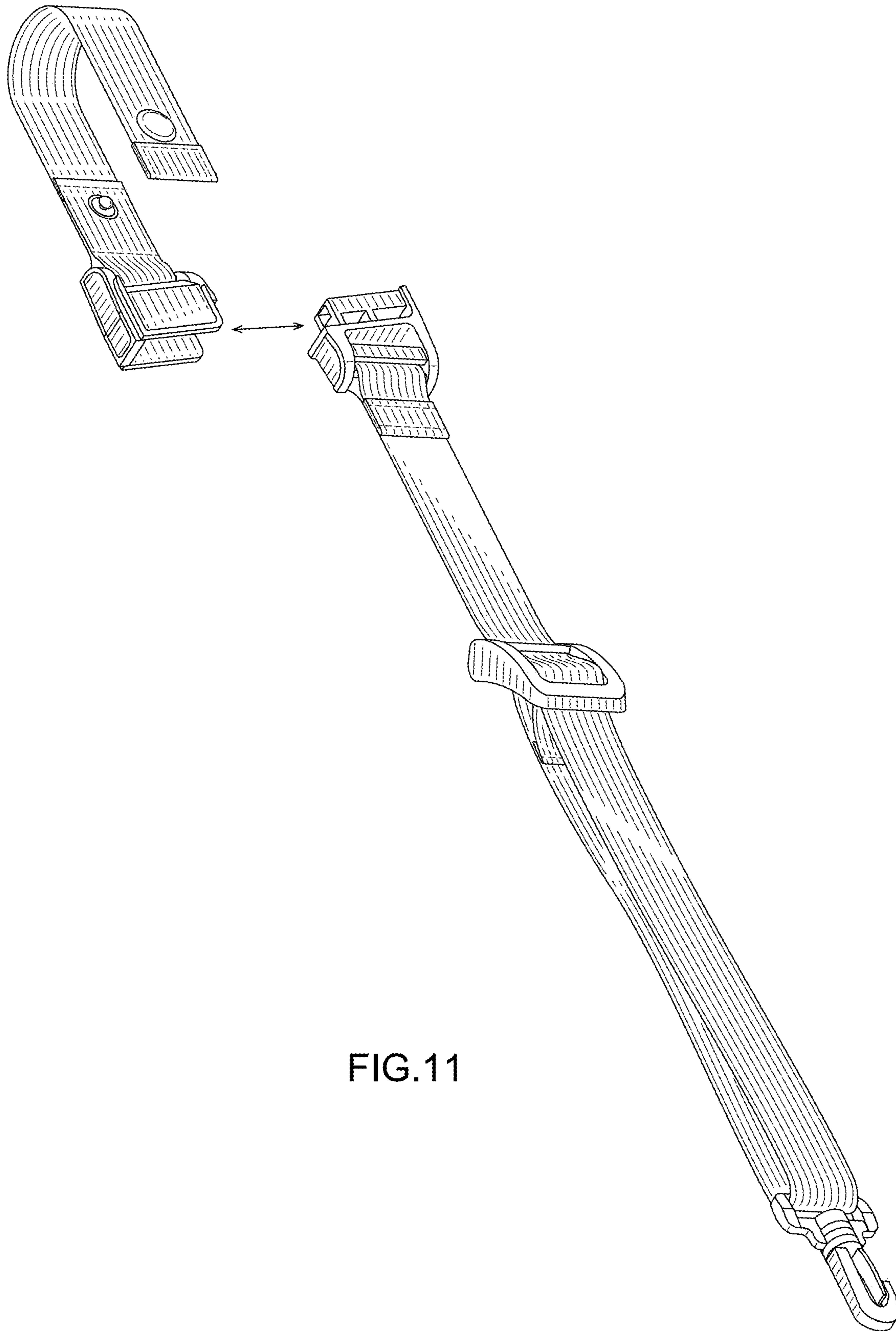


FIG.11