



US00D880865S

(12) **United States Design Patent**
Fusi

(10) **Patent No.:** **US D880,865 S**
(45) **Date of Patent:** **** Apr. 14, 2020**

(54) **CLASP FOR BAGS**

(71) Applicant: **FURLA S.p.A.**, Bologna (IT)

(72) Inventor: **Fabio Fusi**, Florence (IT)

(**) Term: **15 Years**

(21) Appl. No.: **35/506,536**

(22) Filed: **Jan. 2, 2019**

(80) **Hague Agreement Data**

Int. Filing Date: **Jan. 2, 2019**
Int. Reg. No.: **DM/200455**
Int. Reg. Date: **Jan. 2, 2019**
Int. Reg. Pub. Date: **Apr. 5, 2019**

(30) **Foreign Application Priority Data**

Jul. 4, 2018 (EM) 005401619

(51) **LOC (12) Cl.** **03-01**

(52) **U.S. Cl.**
USPC **D3/318**

(58) **Field of Classification Search**

USPC D3/226, 229, 230, 232–233, 240–243,
D3/245–246, 318, 321–328
CPC A45C 11/18; A45C 11/182; A45C 1/024;
A45C 3/06; A45C 13/06
See application file for complete search history.

(56) **References Cited**

U.S. PATENT DOCUMENTS

D378,025 S * 2/1997 Perelli D3/318
D612,609 S * 3/2010 Gonzalez D3/318

D650,991 S * 12/2011 Yuson D3/318
D695,017 S * 12/2013 Booth D3/318
D752,866 S * 4/2016 Guichot D3/318
D802,929 S * 11/2017 Morszeck D3/318
D814,192 S * 4/2018 Fusi D3/318
D830,062 S * 10/2018 Dolce D3/318
D836,342 S * 12/2018 Fusi D3/318
D838,983 S * 1/2019 Seiders D3/318
D838,984 S * 1/2019 Seiders D3/318
D858,996 S * 9/2019 Thompson D3/318

* cited by examiner

Primary Examiner — Holly E Thurman

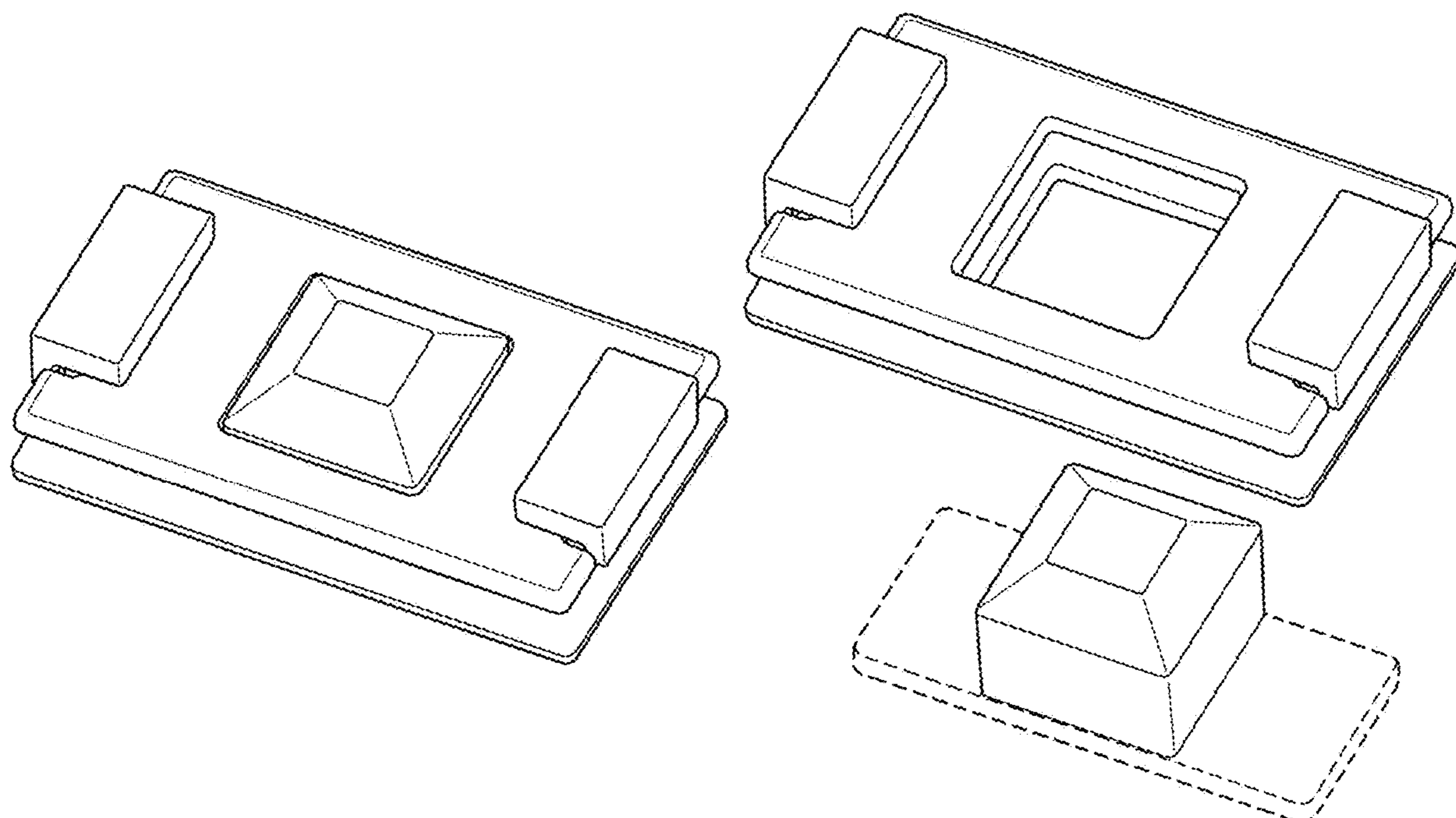
(57) **CLAIM**

The ornamental design for a clasp for bags, as shown and described.

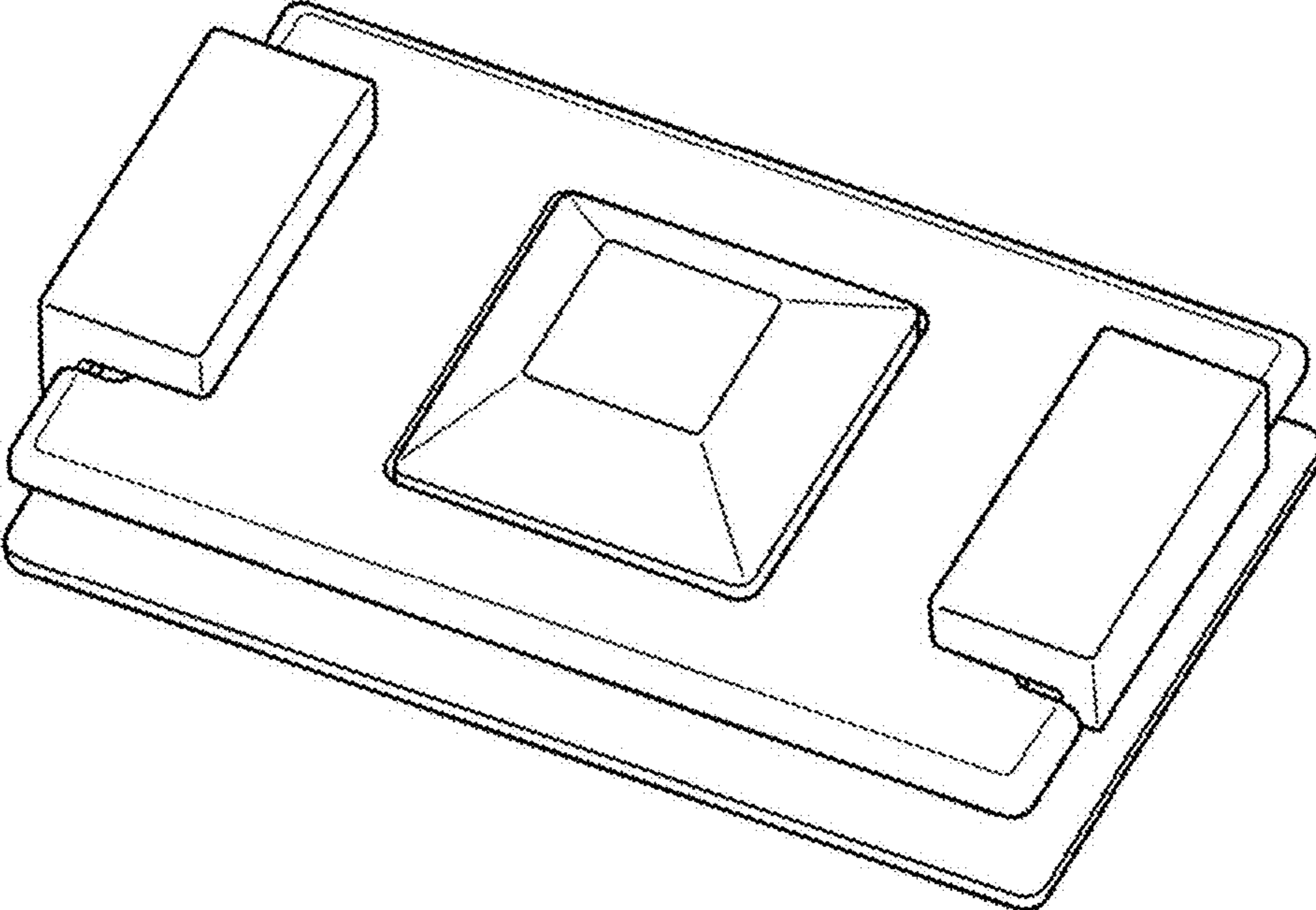
DESCRIPTION

1. Clasp for bags
1.1 is a front perspective view of the clasp for bags showing my new design;
1.2 is a front view thereof;
1.3 is a rear view thereof;
1.4 is a right side view thereof;
1.5 is a left side view thereof;
1.6 is a top plan view thereof;
1.7 is bottom plan view thereof; and
1.8 is another perspective view thereof, with the clasp shown in a separated condition of use.
The broken lines in the drawings depict portions of the clasp for bags that form no part of the claimed design.

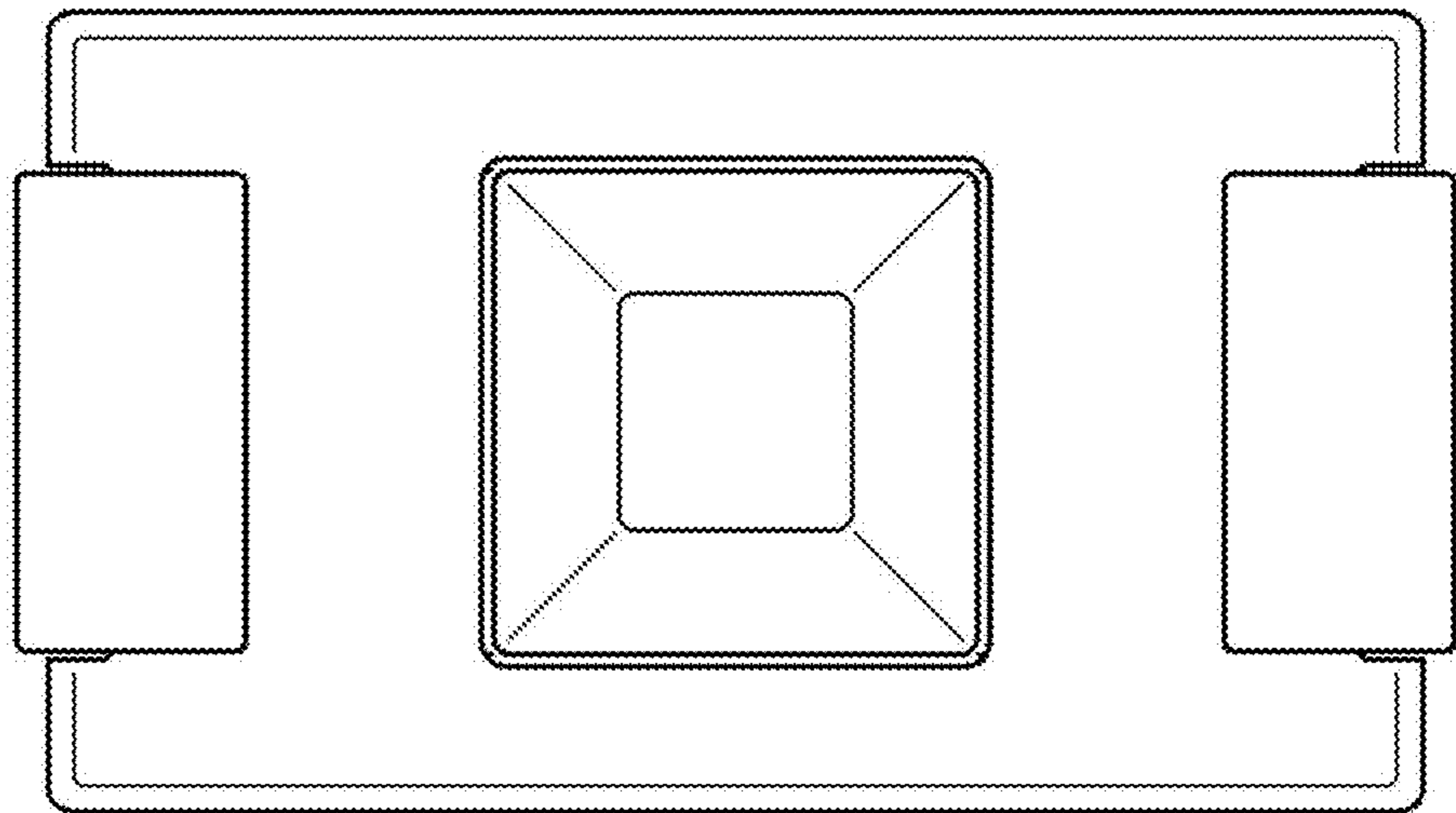
1 Claim, 8 Drawing Sheets



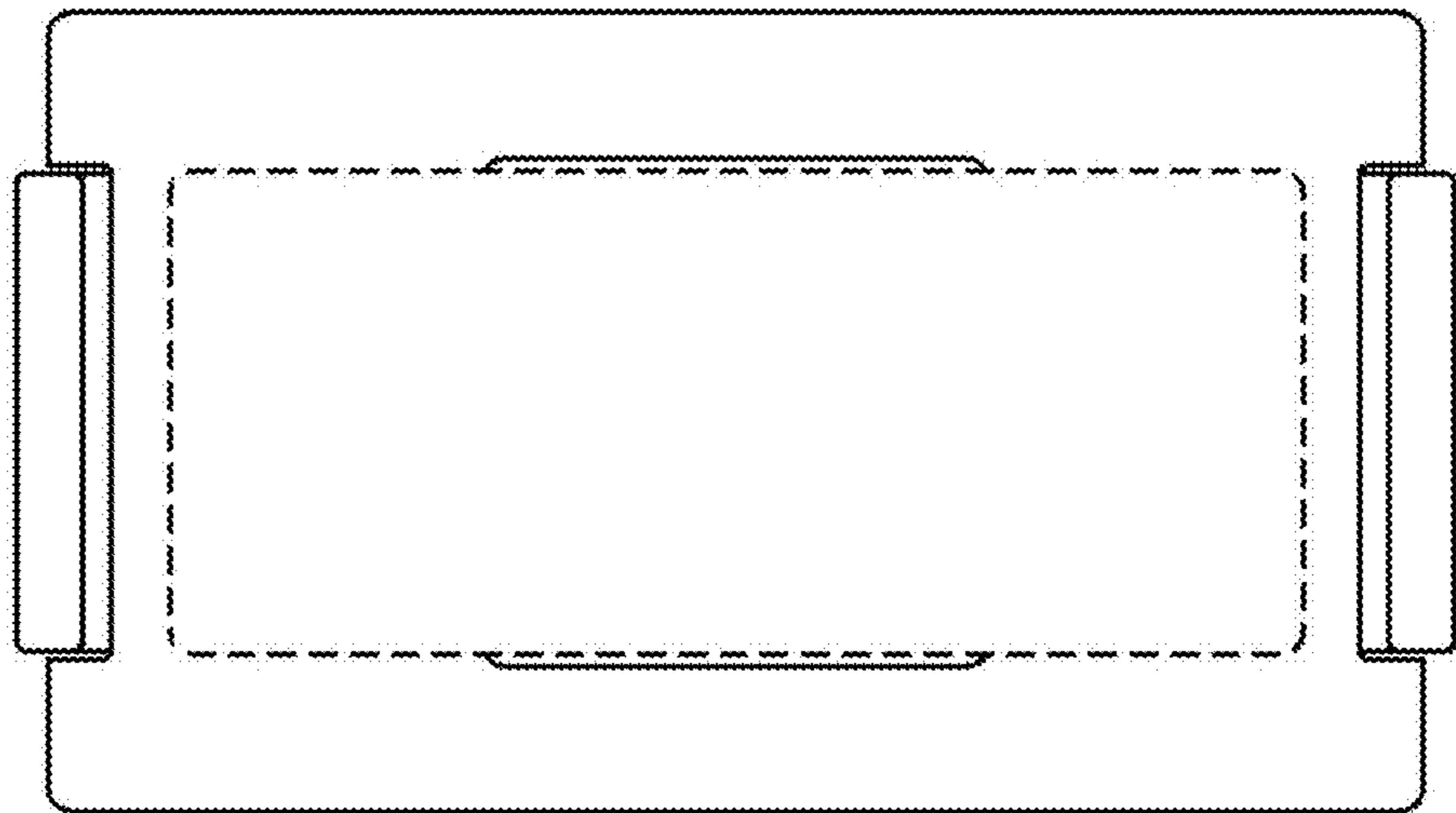
1.1



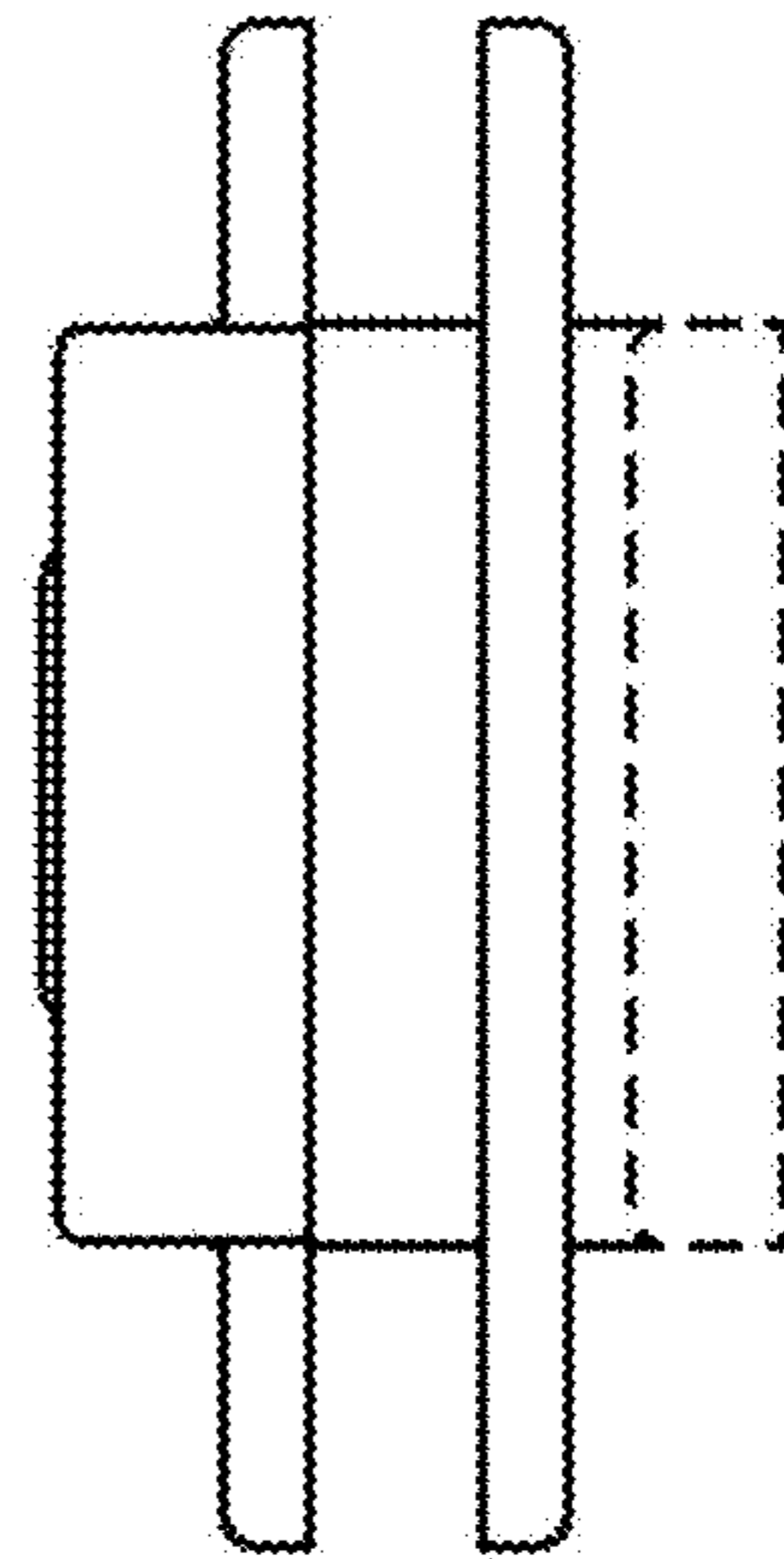
1.2



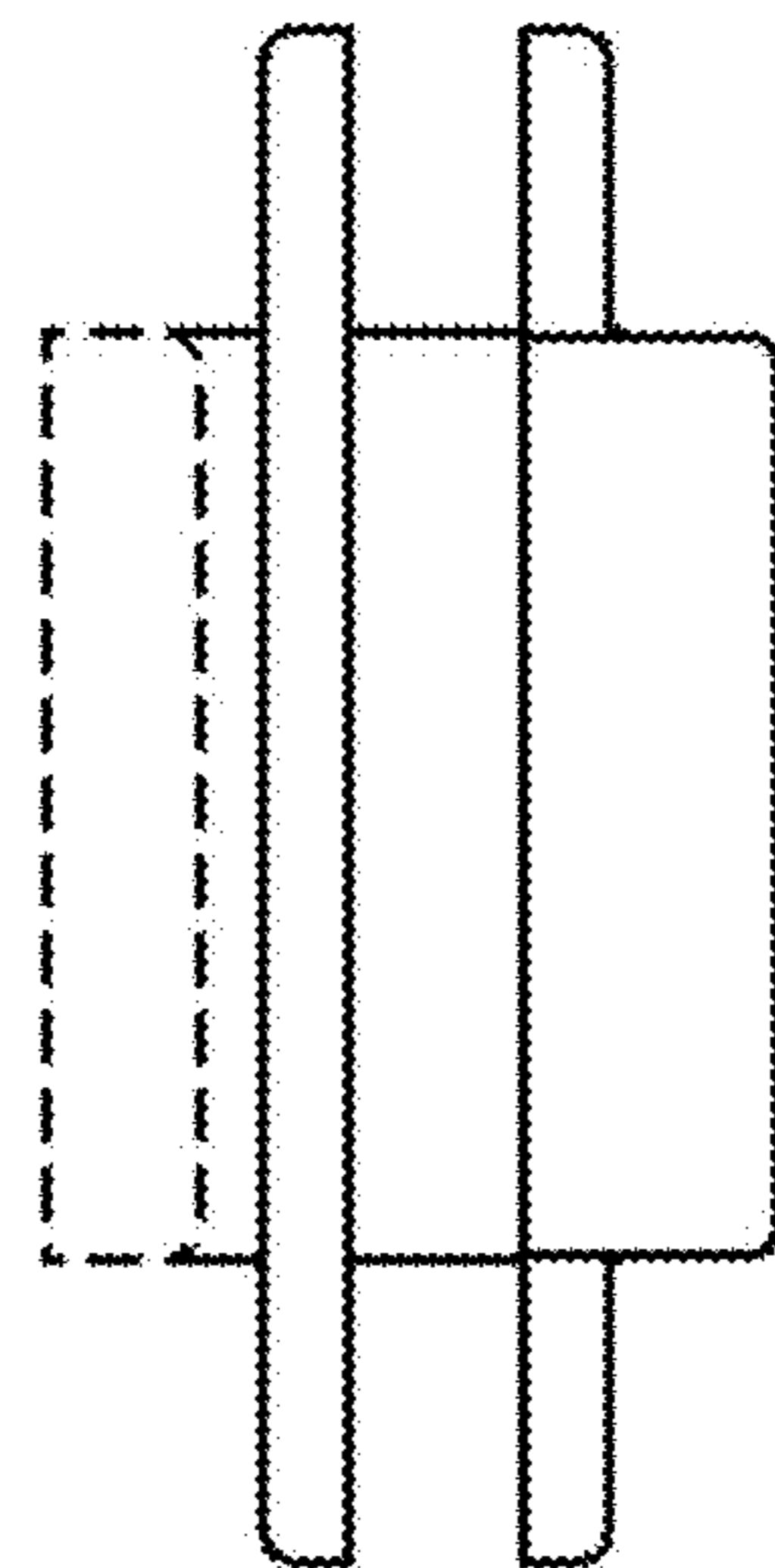
1.3



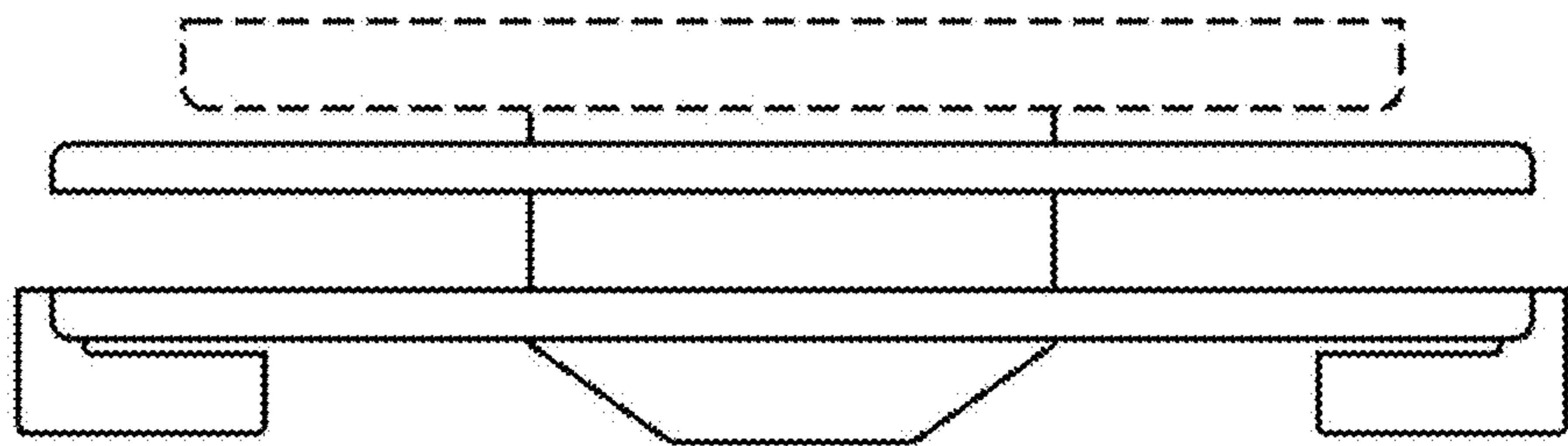
1.4



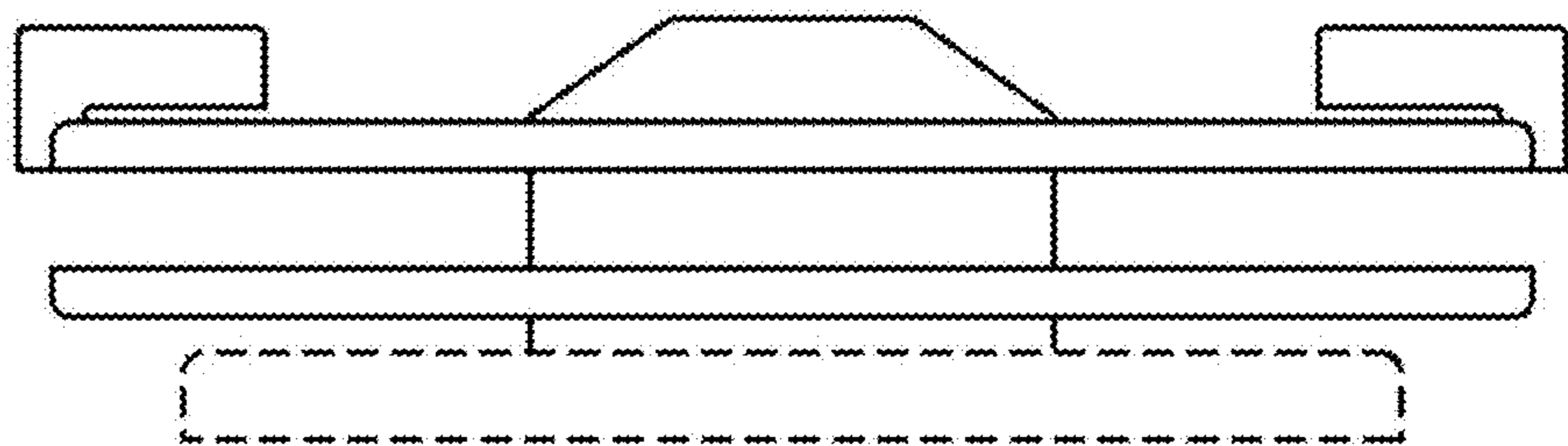
1.5



1.6



1.7



1.8

