



US00D880862S

(12) **United States Design Patent**  
**Seiders et al.**

(10) **Patent No.:** **US D880,862 S**  
(45) **Date of Patent:** **\*\* Apr. 14, 2020**

- (54) **INSULATING DEVICE**
- (71) Applicant: **YETI Coolers, LLC**, Austin, TX (US)
- (72) Inventors: **Roy Joseph Seiders**, Austin, TX (US);  
**Christopher M. Keller**, Austin, TX (US)
- (73) Assignee: **YETI Coolers, LLC**, Austin, TX (US)
- (\*\*) Term: **15 Years**
- (21) Appl. No.: **29/661,068**
- (22) Filed: **Aug. 24, 2018**

29/028; A45F 3/00; A45F 3/02; A45F 3/14; A45F 2003/002; A45F 2003/142; A45F

(Continued)

(56) **References Cited**

U.S. PATENT DOCUMENTS

210,994 A 12/1878 Carnagy  
1,587,655 A 6/1926 Kidwell  
(Continued)

FOREIGN PATENT DOCUMENTS

BE 1015808 A6 9/2005  
CA 2243820 A1 1/2000  
(Continued)

OTHER PUBLICATIONS

Stopper Dry Bag, <http://www.seatosummit.com/products/display/181>, published date unknown, but prior to the filing date of the present application, Sea To Summit, United States.

(Continued)

*Primary Examiner* — Rosemary K Tarcza  
*Assistant Examiner* — Christy M Nemeth  
(74) *Attorney, Agent, or Firm* — Banner & Witcoff, Ltd.

(57) **CLAIM**

The ornamental design for an insulating device, as shown and described.

**DESCRIPTION**

FIG. 1 is a top, front, right perspective view of an insulating device showing our new design; FIG. 2 is a front view thereof; and, FIG. 3 is a rear view thereof. The broken lines in the drawings are for the purpose of illustrating portions of the insulating device that form no part of the claimed design.

**1 Claim, 3 Drawing Sheets**

**Related U.S. Application Data**

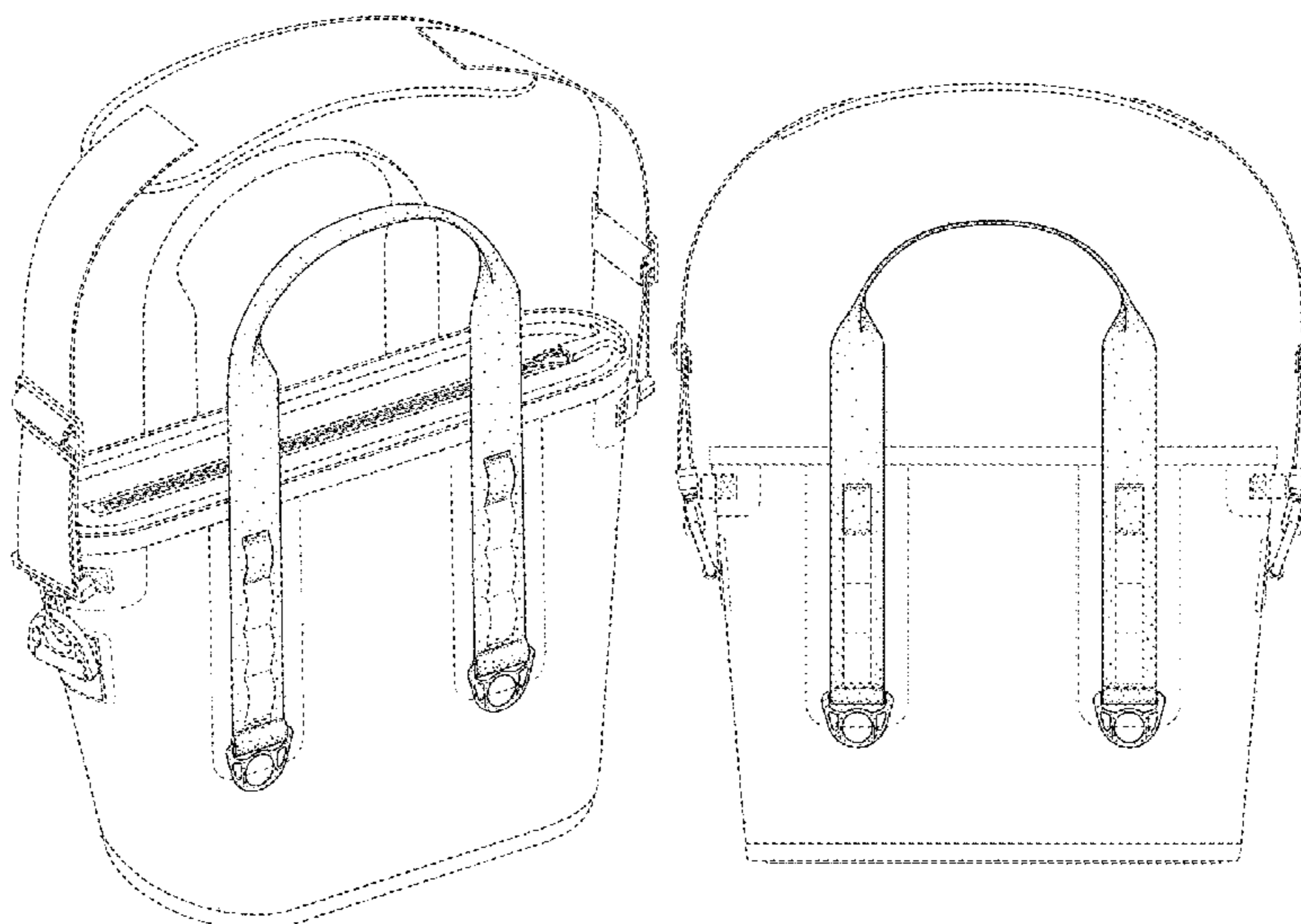
- (63) Continuation of application No. 29/617,966, filed on Sep. 18, 2017, which is a continuation of application (Continued)

(51) **LOC (12) Cl.** ..... **03-01**

(52) **U.S. Cl.**  
USPC ..... **D3/318**

(58) **Field of Classification Search**

USPC ..... D7/601–607, 393, 705, 387; D3/217, D3/221, 226, 232, 233, 245, 246, 267, D3/268, 273, 276, 283, 289, 315, 318, D3/327, 213–216, 225, 231, 254, 287, D3/303, 307, 320, 322, 324, 285, 228, D3/240, 243; 220/592.01, 592.09, 592.1, 220/592.2, 592.25, 694, 752, 760; D8/367, 373, 382, 383, 499; D30/139; D29/124; D24/190  
CPC ..... A45C 3/10; A45C 11/00; A45C 11/20; A45C 11/22; A45C 13/008; A45C 13/10; A45C 13/30; A45C 2013/1007; A45C 2013/1015; A45C 5/08; A45C 2200/00; A45C 2200/20; A45C 2003/007; A45C 2003/008; A45C 3/00; A45C 13/22; A45C 15/00; A63B 29/02; A63B 29/08; A63B



**Related U.S. Application Data**

No. 29/544,617, filed on Nov. 4, 2015, now Pat. No. Des. 797,454, which is a continuation of application No. 29/503,060, filed on Sep. 23, 2014, now Pat. No. Des. 787,187.

(58) **Field of Classification Search**

CPC ..... 5/10; A45F 2005/108; A45F 2005/1013; B65D 33/00; B65D 33/105; B65D 29/00; B65D 29/02; B65D 81/3888; B65D 81/38; F25D 3/08

See application file for complete search history.

(56)

**References Cited**

U.S. PATENT DOCUMENTS

1,949,677 A	3/1934	Crawford	4,802,602 A	2/1989	Evans et al.
2,119,621 A	6/1938	Ferrone	4,805,776 A	2/1989	Namgyal et al.
2,253,598 A	8/1941	Africa	4,812,054 A	3/1989	Kirkendall
2,289,254 A	7/1942	Eagles	4,826,060 A	5/1989	Hollingsworth
2,522,381 A	9/1950	Kramer	4,858,444 A	8/1989	Scott
2,575,191 A	11/1951	Seipp	4,867,214 A	9/1989	Fuller
2,575,893 A	11/1951	Seaman	4,871,069 A	10/1989	Guimont
2,633,223 A	3/1953	Zeamer	4,886,183 A	12/1989	Fleming
2,651,485 A	9/1953	Schutz	4,941,603 A	7/1990	Creamer et al.
2,661,785 A	12/1953	Daust	4,984,906 A	1/1991	Little
2,685,385 A	8/1954	Kuss	4,986,089 A	1/1991	Raab
2,808,093 A	10/1957	Gilman	4,989,418 A	2/1991	Hewlett
2,954,891 A	10/1960	Imber	5,004,091 A	4/1991	Natho et al.
2,960,136 A	11/1960	Ziff	5,005,679 A	4/1991	Hjelle
3,066,846 A	12/1962	Domigan	5,042,664 A	8/1991	Shyr et al.
3,454,197 A	7/1969	Thompson	5,048,734 A	9/1991	Long
3,801,425 A	4/1974	Cook	5,062,557 A	11/1991	Mahvi et al.
3,814,288 A	6/1974	Westrich	5,190,376 A	3/1993	Book
3,834,044 A	9/1974	McAusland et al.	5,216,900 A	6/1993	Jones
3,905,511 A	9/1975	Groendal	5,221,016 A	6/1993	Karpal
4,125,212 A	11/1978	Courchesne	5,237,838 A	8/1993	Merritt-Munson
4,127,155 A	11/1978	Hydom	5,244,136 A	9/1993	Collaso
4,143,695 A	3/1979	Hoehn	D339,979 S	10/1993	Wehrley
4,194,627 A	3/1980	Christensen	D340,387 S	10/1993	Melk
4,196,817 A	4/1980	Moser	D340,621 S	10/1993	Melk
4,197,890 A	4/1980	Simko	D340,840 S	11/1993	Melk
4,210,186 A	7/1980	Belenson	5,269,368 A	12/1993	Schneider et al.
4,211,091 A	7/1980	Campbell	D343,992 S	2/1994	Melk
4,211,267 A	7/1980	Skovgaard	5,297,870 A	3/1994	Weldon
4,248,366 A	2/1981	Christiansen	5,313,807 A	5/1994	Owen
D265,948 S	8/1982	Stark	5,325,991 A	7/1994	Williams
4,344,303 A	8/1982	Kelly, Jr.	5,354,131 A	10/1994	Mogil
4,372,453 A	2/1983	Branscum	5,355,684 A	10/1994	Guice
4,375,828 A	3/1983	Biddison	5,398,848 A	3/1995	Padamsee
D268,879 S	5/1983	Outcalt	5,400,610 A	3/1995	Macedo
4,399,668 A	8/1983	Williamson	5,403,095 A	4/1995	Melk
4,468,933 A	9/1984	Christopher	5,421,172 A	6/1995	Jones
4,513,895 A	4/1985	Leslie	5,447,764 A	9/1995	Langford
4,521,910 A	6/1985	Keppel et al.	5,472,279 A	12/1995	Lin
4,537,313 A	8/1985	Workman	5,490,396 A	2/1996	Morris
4,541,540 A	9/1985	Gretz et al.	5,509,279 A	4/1996	Brown et al.
D281,122 S	10/1985	Bomes et al.	D370,599 S	6/1996	Christopher et al.
D281,546 S	12/1985	Bradshaw	D371,052 S	6/1996	Melk
D281,646 S	12/1985	Bomes et al.	5,529,217 A	6/1996	Siegel
D282,602 S	2/1986	Allen	D373,515 S	9/1996	Melk
4,571,338 A	2/1986	Okonogi et al.	5,553,759 A	9/1996	McMaster et al.
4,595,101 A	6/1986	Rivera	5,562,228 A	10/1996	Ericson
4,596,370 A	6/1986	Adkins	5,564,568 A	10/1996	Rankin, Sr.
D284,620 S	7/1986	Calton	5,569,401 A	10/1996	Gilliland et al.
4,598,746 A	7/1986	Rabinowitz	5,595,320 A	1/1997	Aghassipour
4,637,063 A	1/1987	Sullivan et al.	D382,771 S	8/1997	Mogil
D289,128 S	4/1987	Bradshaw	D383,360 S	9/1997	Melk
4,673,117 A	6/1987	Calton	5,680,944 A	10/1997	Rueter
4,679,242 A	7/1987	Brockhaus	5,680,958 A	10/1997	Mann et al.
4,708,254 A	11/1987	Byrns	D386,310 S	11/1997	Smith
4,746,028 A	5/1988	Bagg	5,687,874 A	11/1997	Omori et al.
4,759,077 A	7/1988	Leslie	D387,249 S	12/1997	Mogil
4,765,476 A	8/1988	Lee	5,706,969 A	1/1998	Yamada et al.
4,796,937 A	1/1989	Andrea	5,732,867 A	3/1998	Perkins et al.
4,802,344 A	2/1989	Livingston et al.	D394,553 S	5/1998	Lin
			D395,555 S	6/1998	Ursitti
			5,758,513 A	6/1998	Smith
			5,779,089 A	7/1998	West
			D397,273 S	8/1998	Collie
			5,816,709 A	10/1998	Demus
			D401,063 S	11/1998	Yamamoto et al.
			5,842,571 A	12/1998	Rausch
			5,845,514 A	12/1998	Clarke et al.
			5,848,734 A	12/1998	Melk
			5,857,778 A	1/1999	Ells
			D409,376 S	5/1999	Golenz et al.
			5,909,821 A	6/1999	Guridi
			5,913,448 A	6/1999	Mann et al.
			5,915,580 A	6/1999	Melk
			5,931,583 A	8/1999	Collie
			D414,379 S	9/1999	Haberkom
			5,954,253 A	9/1999	Swetish
			5,988,468 A	11/1999	Murdoch et al.
			5,988,879 A	11/1999	Bredderman et al.

(56)

## References Cited

## U.S. PATENT DOCUMENTS

6,019,245	A	2/2000	Foster et al.
6,027,249	A	2/2000	Bielinski
6,029,847	A	2/2000	Mahoney, Jr. et al.
6,048,099	A	4/2000	Muffett et al.
D424,417	S	5/2000	Axelsson
6,059,140	A	5/2000	Hicks
6,065,873	A	5/2000	Fowler
6,068,402	A	5/2000	Freese et al.
6,073,796	A	6/2000	Mogil
6,082,589	A	7/2000	Ash et al.
6,082,896	A	7/2000	Pulli
6,089,038	A	7/2000	Tattam
6,092,266	A	7/2000	Lee
6,092,661	A	7/2000	Mogil
6,116,045	A	9/2000	Hodosh et al.
6,128,915	A	10/2000	Wagner
6,129,254	A	10/2000	Yu
6,139,188	A	10/2000	Marzano
6,145,715	A	11/2000	Slonim
6,149,305	A	11/2000	Fier
D437,110	S	2/2001	Ivarson et al.
6,193,034	B1	2/2001	Fournier
6,209,343	B1	4/2001	Owen
6,220,473	B1	4/2001	Lehman et al.
6,234,677	B1	5/2001	Mogil
6,237,776	B1	5/2001	Mogil
6,247,328	B1	6/2001	Mogil
6,253,570	B1	7/2001	Lustig
6,276,579	B1	8/2001	DeLoach
D447,632	S	9/2001	Gisser
D447,667	S	9/2001	Schneider et al.
6,286,709	B1	9/2001	Hudson
6,296,134	B1	10/2001	Cardinale
6,296,165	B1	10/2001	Mears
6,298,993	B1	10/2001	Kalozdi
6,336,342	B1	1/2002	Zeddies
6,336,577	B1	1/2002	Harris et al.
6,353,215	B1	3/2002	Revels et al.
D455,934	S	4/2002	Culp et al.
6,363,739	B1	4/2002	Hodosh et al.
D457,307	S	5/2002	Pukall et al.
6,409,066	B1	6/2002	Schneider et al.
6,422,032	B1	7/2002	Greene
6,439,389	B1	8/2002	Mogil
D464,235	S	10/2002	Jeong
D465,134	S	11/2002	Joss
6,481,239	B2	11/2002	Hodosh et al.
D466,291	S	12/2002	Ng
6,495,194	B2	12/2002	Sato et al.
6,505,479	B2	1/2003	Defelice et al.
6,511,695	B1	1/2003	Paquin et al.
6,513,661	B1	2/2003	Mogil
D472,431	S	4/2003	Spence, Jr.
6,554,155	B1	4/2003	Beggins
D474,649	S	5/2003	Spence, Jr.
6,582,124	B2	6/2003	Mogil
D476,481	S	7/2003	Gilbert
6,595,687	B2	7/2003	Godshaw et al.
D478,782	S	8/2003	Li
6,604,649	B1	8/2003	Campi
6,605,311	B2	8/2003	Villagran et al.
6,619,447	B1	9/2003	Garcia, III et al.
6,626,342	B1	9/2003	Gleason
6,629,430	B2	10/2003	Mills et al.
D482,241	S	11/2003	Tyler
6,652,933	B2	11/2003	Hall
6,655,543	B2	12/2003	Beuke
D485,131	S	1/2004	Lanman et al.
D485,732	S	1/2004	Lanman et al.
D486,038	S	2/2004	Lanman et al.
6,688,470	B2	2/2004	Dege et al.
6,729,758	B1	5/2004	Carter
D492,160	S	6/2004	Lanman et al.
D497,518	S	10/2004	Bellofatto, Jr. et al.
6,799,693	B2	10/2004	Meza
D498,924	S	11/2004	Karl
D501,600	S	2/2005	Guyon
D502,599	S	3/2005	Cabana et al.
D503,279	S	3/2005	Smith
6,874,356	B2	4/2005	Kornfeldt et al.
D506,645	S	6/2005	Bellofatto, Jr. et al.
D512,274	S	12/2005	Cabey
D515,362	S	2/2006	Chan
D516,099	S	2/2006	Maruyama
D517,801	S	3/2006	Woo
D520,306	S	5/2006	Peterson
D523,243	S	6/2006	Nashmy
D527,226	S	8/2006	Maldonado
D530,089	S	10/2006	Silverman
7,153,025	B1	12/2006	Jackson et al.
D534,352	S	1/2007	Delafontaine
D534,771	S	1/2007	Zorn
D535,099	S	1/2007	Johansson et al.
D535,820	S	1/2007	Kamiya
7,160,028	B1	1/2007	Linday
7,162,890	B2	1/2007	Mogil et al.
D539,033	S	3/2007	Cassegrain
7,201,285	B2	4/2007	Beggins
7,207,716	B2	4/2007	Buchanan et al.
7,219,814	B2	5/2007	Lown et al.
7,240,513	B1	7/2007	Conforti
D547,941	S	8/2007	Lucena
D548,459	S	8/2007	Harvey
D550,448	S	9/2007	Boje et al.
7,264,134	B2	9/2007	Tulp
D557,667	S	12/2007	Kawamura et al.
7,302,810	B2	12/2007	McCroy
D560,102	S	1/2008	Sumter
7,313,927	B2	1/2008	Barker
7,344,028	B2	3/2008	Hanson
7,353,952	B2	4/2008	Swartz et al.
D570,603	S	6/2008	Wu et al.
D573,422	S	7/2008	Tagliati et al.
D574,667	S	8/2008	Grabijas, III et al.
D578,401	S	10/2008	Perry et al.
D582,151	S	12/2008	Gonzalez
7,481,065	B2	1/2009	Krieger
D598,194	S	8/2009	Turvey et al.
7,597,478	B2	10/2009	Pruchnicki et al.
D603,606	S	11/2009	Wang
7,634,919	B2	12/2009	Bernhard, Jr. et al.
D607,697	S	1/2010	Whitlock et al.
D608,096	S	1/2010	Noble
D608,159	S	1/2010	Whitlock et al.
D610,795	S	3/2010	Dejadon
D611,706	S	3/2010	Angles et al.
7,669,436	B2	3/2010	Mogil et al.
7,682,080	B2	3/2010	Mogil
D617,560	S	6/2010	Wu
7,730,739	B2	6/2010	Fuchs
D618,966	S	7/2010	Koehler et al.
D619,423	S	7/2010	Koehler et al.
D619,854	S	7/2010	Koehler et al.
D619,855	S	7/2010	Koehler et al.
7,757,878	B2	7/2010	Mogil et al.
D620,707	S	8/2010	Mogil
D620,708	S	8/2010	Sanz
7,775,388	B2	8/2010	Murrer
7,784,759	B2	8/2010	Farrell
7,791,003	B2	9/2010	Lockhart et al.
7,811,620	B2	10/2010	Merrill et al.
7,815,069	B1	10/2010	Bellofatto et al.
D626,329	S	11/2010	Chapelier
D627,199	S	11/2010	Pruchnicki
7,841,207	B2	11/2010	Mogil et al.
D629,612	S	12/2010	Weldon
7,874,177	B2	1/2011	Azamy
7,900,816	B2	3/2011	Kastanek et al.
D638,220	S	5/2011	Chu et al.
D642,870	S	8/2011	Whitlock et al.
7,988,006	B2	8/2011	Mogil et al.
D645,662	S	9/2011	Perez
8,016,090	B2	9/2011	McCoy et al.
8,043,004	B2	10/2011	Mogil

(56)

References Cited

U.S. PATENT DOCUMENTS

D648,532 S	11/2011	Sosnovsky	
8,061,159 B2	11/2011	Mogil et al.	
D650,169 S	12/2011	Klifa	
8,096,442 B2	1/2012	Ramundi	
D662,316 S	6/2012	Nitkin	
8,191,747 B2	6/2012	Pruchnicki	
D664,261 S	7/2012	Kravitz et al.	
8,209,995 B2	7/2012	Kieling et al.	
D666,896 S	9/2012	Pinholster, Jr. et al.	
D667,043 S	9/2012	Couch, III	
8,281,950 B2	10/2012	Potts et al.	
8,302,749 B2	11/2012	Melmon et al.	
D673,363 S *	1/2013	Crandall	D3/217
D674,664 S	1/2013	Collie	
8,424,713 B2	4/2013	Bolland	
D682,635 S	5/2013	Boroski	
8,453,899 B1	6/2013	Calkin	
D686,412 S	7/2013	Guichot	
8,474,640 B2	7/2013	Armstrong	
8,516,848 B2	8/2013	White et al.	
8,544,678 B1	10/2013	Hughes	
8,573,002 B2	11/2013	Ledoux et al.	
D695,568 S	12/2013	Hayes	
8,622,235 B2	1/2014	Suchecky	
D699,940 S	2/2014	Robert	
D699,941 S	2/2014	Robert	
D703,946 S	5/2014	Tweedie	
8,720,739 B2	5/2014	Bollis	
8,777,045 B2	7/2014	Mitchell et al.	
D710,085 S	8/2014	Szewczyk	
D711,096 S	8/2014	Hanna	
D712,555 S	9/2014	Berg	
8,827,109 B1	9/2014	Sheehan	
8,844,756 B2	9/2014	Beyburg	
D715,544 S	10/2014	Levine	
8,857,654 B2	10/2014	Mogil et al.	
D717,041 S	11/2014	Pulliam	
8,875,964 B1	11/2014	Vanderberg	
8,893,940 B2	11/2014	Green et al.	
D718,931 S	12/2014	Brundl	
D719,303 S	12/2014	Anderson	
8,899,071 B2	12/2014	Mogil et al.	
D725,908 S	4/2015	Zwetzig	
D728,942 S	5/2015	Byham	
D732,295 S	6/2015	Aafjes	
D732,348 S *	6/2015	Seiders	D3/246
D732,349 S *	6/2015	Seiders	D3/246
D732,350 S *	6/2015	Seiders	D3/246
D732,899 S *	6/2015	Seiders	D3/246
D734,643 S	7/2015	Boroski	
D734,992 S	7/2015	Boroski	
9,084,463 B2	7/2015	Merrill	
D738,108 S	9/2015	Adler et al.	
D739,654 S	9/2015	Brouard	
9,139,352 B2	9/2015	Seiders et al.	
9,146,051 B2	9/2015	Kamin et al.	
D747,104 S	1/2016	Ford	
9,226,558 B2	1/2016	Armstrong	
D749,653 S	2/2016	Carnes	
D750,140 S	2/2016	Cross	
9,254,022 B2	2/2016	Meldeau et al.	
9,254,023 B2	2/2016	Su et al.	
9,265,318 B1	2/2016	Williams et al.	
D752,347 S *	3/2016	Seiders	D3/318
9,271,553 B2	3/2016	Ponx	
9,272,475 B2	3/2016	Ranade	
9,290,313 B2	3/2016	De Lesseux et al.	
D752,860 S	4/2016	Barilaro et al.	
D756,109 S	5/2016	Hayashi	
D756,638 S	5/2016	Frisoni	
9,366,467 B2	6/2016	Kiedaisch et al.	
9,375,061 B2 *	6/2016	Mosee	A45C 1/02
D760,494 S	7/2016	Harvey-Pankey	
D761,561 S	7/2016	Cheng	
D763,570 S	8/2016	Potts	
D764,791 S	8/2016	Patel	
D764,873 S	8/2016	Collie	
9,408,445 B2 *	8/2016	Mogil	A45C 3/001
D765,395 S *	9/2016	Sanz	D3/245
D768,981 S	10/2016	Kliot	
D768,987 S	10/2016	Blumenfeld	
D770,761 S	11/2016	Deioma et al.	
D770,763 S	11/2016	Joo et al.	
D771,372 S	11/2016	Kelly et al.	
D772,562 S	11/2016	Petre	
D778,045 S	2/2017	Ruddis	
D782,820 S	4/2017	Thompson	
D784,010 S	4/2017	Dumas	
D785,325 S	5/2017	Samrelius et al.	
D786,559 S *	5/2017	Seiders	D3/318
D786,560 S *	5/2017	Seiders	D3/318
D786,561 S *	5/2017	Seiders	D3/318
D786,562 S *	5/2017	Seiders	D3/318
D787,187 S *	5/2017	Seiders	D3/318
D789,080 S	6/2017	Caffagni	
D792,167 S	7/2017	Bradley	
D792,486 S	7/2017	Li et al.	
D793,089 S *	8/2017	Jackson	D3/327
D796,185 S	9/2017	Masten	
D797,454 S *	9/2017	Seiders	D3/318
D797,455 S *	9/2017	Seiders	D3/318
D798,670 S	10/2017	Seiders et al.	
D799,276 S	10/2017	Seiders et al.	
D799,277 S	10/2017	Seiders et al.	
D799,905 S	10/2017	Seiders et al.	
D800,443 S *	10/2017	Burton	D3/203.1
D800,444 S	10/2017	Burton et al.	
D801,123 S	10/2017	Seiders et al.	
9,796,517 B2	10/2017	Seiders et al.	
D802,028 S	11/2017	Li	
D802,029 S	11/2017	Li	
D802,373 S *	11/2017	Seiders	D7/607
D802,630 S	11/2017	Li et al.	
D805,851 S *	12/2017	Sullivan	D7/607
D808,173 S	1/2018	Seiders et al.	
D808,175 S	1/2018	Seiders et al.	
D808,655 S *	1/2018	Seiders	D3/318
D808,730 S *	1/2018	Sullivan	D7/607
D809,869 S	2/2018	Seiders et al.	
D811,082 S	2/2018	Lehan	
D811,746 S *	3/2018	Seiders	D3/318
D813,539 S	3/2018	Van Assche	
D814,879 S	4/2018	Larson et al.	
D817,106 S *	5/2018	Larson	D7/607
D817,107 S *	5/2018	Larson	D7/607
D819,966 S *	6/2018	Yu	D3/232
D819,967 S *	6/2018	Carter	D3/246
D821,825 S *	7/2018	Sullivan	D7/607
D822,987 S *	7/2018	Seiders	D3/246
D822,997 S *	7/2018	Seiders	D3/318
D823,601 S *	7/2018	Seiders	D3/318
D823,602 S *	7/2018	Seiders	D3/318
D824,660 S	8/2018	Ross	
D824,666 S	8/2018	Carter et al.	
D824,671 S *	8/2018	Pennington	D3/283
D824,731 S *	8/2018	Sullivan	D7/607
D827,299 S *	9/2018	Vickery	D3/246
D828,112 S	9/2018	Furneaux et al.	
D828,728 S	9/2018	Jacobsen	
D829,244 S *	9/2018	Sullivan	D15/79
D830,048 S	10/2018	McQueeney	
D830,132 S *	10/2018	Sullivan	D7/607
D830,133 S *	10/2018	Sullivan	D7/607
D830,134 S *	10/2018	Sullivan	D7/607
D832,653 S *	11/2018	Waskow	D7/607
D834,817 S *	12/2018	Hoppe	D3/263
D834,895 S *	12/2018	Triska	D7/607
D835,473 S *	12/2018	Jacobsen	D7/607
D835,949 S *	12/2018	Triska	D7/607
D836,996 S *	1/2019	Jacobsen	D7/607
D836,997 S *	1/2019	Jacobsen	D7/607
D836,998 S *	1/2019	Jacobsen	D7/607
D836,999 S	1/2019	Jacobsen	
D837,000 S	1/2019	Jacobsen	

(56)

References Cited

U.S. PATENT DOCUMENTS

D837,001 S	1/2019	Jacobsen	2008/0260303 A1	10/2008	De Lesseux et al.
D839,682 S	2/2019	Jacobsen	2008/0264925 A1	10/2008	Lockhart et al.
D840,194 S	2/2019	Furneaux et al.	2008/0305235 A1	12/2008	Gao et al.
D840,689 S	2/2019	Seiders et al.	2009/0052809 A1	2/2009	Sampson
D841,325 S	2/2019	Buynar	2009/0080808 A1	3/2009	Hagen
D844,975 S	4/2019	Munie et al.	2009/0095757 A1	4/2009	Ramundi
D844,976 S	4/2019	Munie et al.	2009/0280229 A1	11/2009	Constantine et al.
D844,977 S	4/2019	Munie et al.	2009/0311378 A1	12/2009	Wilaschin et al.
D844,978 S	4/2019	Munie et al.	2009/0317514 A1	12/2009	Sizer
D844,979 S	4/2019	Munie et al.	2010/0047423 A1	2/2010	Kruesemann et al.
D844,992 S	4/2019	Seiders et al.	2010/0059199 A1	3/2010	Court
D845,625 S	4/2019	Barlier	2010/0075006 A1	3/2010	Semenza
D846,275 S	4/2019	Barlier	2010/0108694 A1	5/2010	Sedlbauer et al.
D847,500 S	5/2019	Lagerfeld	2010/0136203 A1	6/2010	Sakata et al.
D848,219 S	5/2019	Munie et al.	2010/0143567 A1	6/2010	Ye et al.
D848,220 S	5/2019	Munie et al.	2010/0224660 A1	9/2010	Gleason
D848,221 S	5/2019	Munie et al.	2010/0284631 A1	11/2010	Lee
D848,222 S	5/2019	Munie et al.	2011/0003975 A1	1/2011	Arase et al.
D848,223 S	5/2019	Munie et al.	2011/0005739 A1	1/2011	Finney et al.
D848,798 S	5/2019	Munie et al.	2011/0030415 A1	2/2011	Breyburg et al.
D849,486 S	5/2019	Munie et al.	2011/0097442 A1	4/2011	Harju et al.
2002/0197369 A1	12/2002	Modler	2011/0108562 A1	5/2011	Lyons
2003/0070447 A1	4/2003	Tanaka	2011/0167863 A1	7/2011	Herrbold
2003/0080133 A1	5/2003	Butler	2011/0182532 A1	7/2011	Baltus
2003/0106895 A1	6/2003	Kalal	2011/0191933 A1*	8/2011	Gregory ..... A41D 13/0012
2003/0136702 A1	7/2003	Redzisz et al.	2011/0284601 A1	11/2011	Pullin
2003/0149461 A1	8/2003	Johnson	2011/0311166 A1	12/2011	Pascua
2003/0175394 A1	9/2003	Modler	2012/0106130 A1	5/2012	Beaudette
2004/0004111 A1	1/2004	Cardinale	2012/0137637 A1	6/2012	Gillis
2004/0028296 A1	2/2004	Meli	2012/0180184 A1	7/2012	Crye
2004/0035143 A1	2/2004	Mogil	2012/0181211 A1	7/2012	Charlebois
2004/0074936 A1	4/2004	McDonald	2012/0187138 A1	7/2012	Vasquez et al.
2004/0094589 A1	5/2004	Fricano	2012/0261445 A1	10/2012	Demskey
2004/0136621 A1	7/2004	Mogil	2012/0294550 A1	11/2012	Hassman et al.
2004/0144783 A1	7/2004	Anderson et al.	2012/0311828 A1	12/2012	Nir
2004/0149600 A1	8/2004	Wolter et al.	2013/0014355 A1	1/2013	Lee
2004/0164084 A1	8/2004	Cooper	2013/0043285 A1	2/2013	Cordray
2004/0237266 A1	12/2004	Wang	2013/0174600 A1	7/2013	Sarcinella
2005/0016895 A1	1/2005	Glenn	2013/0216158 A1	8/2013	Meldeau et al.
2005/0034947 A1	2/2005	Nykoluk	2013/0264350 A1	10/2013	Handlon et al.
2005/0045520 A1	3/2005	Johnson	2013/0294712 A1	11/2013	Seuk
2005/0045521 A1	3/2005	Johnson et al.	2013/0341338 A1	12/2013	Mitchell et al.
2005/0056669 A1	3/2005	Lavelle	2014/0023295 A1	1/2014	Wagner
2005/0072181 A1	4/2005	Mogil et al.	2014/0034543 A1	2/2014	Grubstein
2005/0133399 A1	6/2005	Fidrych	2014/0151172 A1	6/2014	Diaz
2005/0183446 A1	8/2005	Fuchs	2014/0226920 A1	8/2014	Passavia
2005/0196510 A1	9/2005	Walters	2014/0248003 A1	9/2014	Mogil et al.
2005/0262871 A1	12/2005	Bailey-Weston	2014/0254956 A1	9/2014	Buell, III
2005/0263528 A1	12/2005	Maldonado et al.	2014/0270590 A1	9/2014	Ostroy
2005/0279124 A1	12/2005	Maldonado	2014/0366336 A1	12/2014	Chung
2006/0007266 A1	1/2006	Silverbrook	2015/0008242 A1	1/2015	Kpabar, Jr.
2006/0021376 A1	2/2006	Scroggs	2015/0114024 A1	4/2015	Grepper
2006/0102497 A1	5/2006	Wulf	2015/0136796 A1	5/2015	Muehlhauser
2006/0151533 A1	7/2006	Simunovic et al.	2015/0175338 A1	6/2015	Culp et al.
2006/0201979 A1	9/2006	Achilles	2015/0225164 A1*	8/2015	Seiders ..... B65D 81/3858
2006/0239593 A1	10/2006	Fidrych	2015/0335202 A1	11/2015	Wisner et al.
2006/0240159 A1	10/2006	Cash et al.	2015/0353263 A1	12/2015	Seiders et al.
2006/0248902 A1	11/2006	Hunnell	2016/0066817 A1	3/2016	Hannes
2007/0012593 A1	1/2007	Kitchens et al.	2016/0100661 A1*	4/2016	Redzisz ..... B25H 3/023
2007/0148305 A1	6/2007	Sherwood et al.	2016/0101924 A1	4/2016	Mitchell et al.
2007/0148307 A1	6/2007	Sherwood et al.	2016/0107816 A1	4/2016	Larpenteur et al.
2007/0217187 A1	9/2007	Blakely et al.	2016/0236849 A1*	8/2016	Seiders ..... B65D 81/3858
2007/0221693 A1	9/2007	Moore	2016/0255943 A1*	9/2016	Houston ..... A45C 9/00
2007/0237432 A1	10/2007	Mogil	2016/0257479 A1*	9/2016	Seiders ..... B65D 81/389
2007/0261977 A1	11/2007	Sakai	2016/0338462 A1*	11/2016	Hayashi ..... A45C 13/26
2007/0274613 A1	11/2007	Pruchnicki et al.	2016/0338908 A1	11/2016	Rice et al.
2007/0290816 A1	12/2007	Bedard	2017/0036844 A1*	2/2017	Seiders ..... B65D 81/3897
2008/0038424 A1	2/2008	Krusemann	2017/0071304 A1	3/2017	Wang
2008/0073364 A1	3/2008	Simmons	2017/0071305 A1	3/2017	Wang
2008/0105282 A1	5/2008	Fernholz et al.	2017/0099920 A1*	4/2017	Bailey ..... A45C 3/001
2008/0128421 A1	6/2008	Ulbrand et al.	2017/0210542 A1*	7/2017	Seiders ..... A45C 11/20
2008/0160149 A1	7/2008	Nasrallah et al.	2017/0225872 A1	8/2017	Collie
2008/0164265 A1	7/2008	Conforti	2018/0016084 A1*	1/2018	Xia ..... A45C 7/0077
2008/0178865 A1	7/2008	Retterer	2018/0098607 A1	4/2018	Seiders et al.
2008/0245096 A1	10/2008	Hanson et al.	2018/0162626 A1*	6/2018	Munie ..... A45F 3/04
			2018/0242701 A1*	8/2018	Seiders ..... A45C 3/001

(56)

## References Cited

## U.S. PATENT DOCUMENTS

2018/0263346 A1\* 9/2018 Stephens ..... A45C 7/004  
 2018/0279733 A1\* 10/2018 Young ..... A45C 13/02  
 2018/0317620 A1\* 11/2018 Larson ..... A44B 19/32  
 2019/0170422 A1 6/2019 Dexter

## FOREIGN PATENT DOCUMENTS

CA 2300014 A1 8/2001  
 CA 2327764 A1 6/2002  
 CA 2433251 A1 12/2004  
 CA 2483802 A1 4/2006  
 CA 2498796 A1 9/2006  
 CA 2499291 A1 9/2006  
 CA 2503473 A1 10/2006  
 CA 2548064 A1 11/2007  
 CA 2549327 A1 11/2007  
 CA 2633223 A1 12/2009  
 CA 2782668 A1 12/2013  
 CN 2125339 U 12/1992  
 CN 2188899 Y 2/1995  
 CN 201062136 Y 5/2008  
 CN 102717977 A 10/2012  
 CN 202619972 U 12/2012  
 CN 202959175 U 6/2013  
 CN 103385657 A 11/2013  
 CN 302623771 11/2013  
 CN 302623775 11/2013  
 CN 302769710 3/2014  
 CN 302956550 10/2014  
 CN 303100086 2/2015  
 CN 303342902 8/2015  
 DE 3539626 A1 5/1987  
 DE 20002689 U1 8/2000  
 DE 202011050174 U1 7/2011  
 DE 202013101115 U1 3/2013  
 EP 0037545 A2 10/1981  
 EP 0082131 A2 6/1983  
 EP 85534 A1 8/1983  
 EP 0158634 A1 10/1985  
 EP 0174159 A2 3/1986  
 EP 0238932 A1 9/1987  
 EP 0037545 A2 10/1991  
 FR 1269009 A 8/1961  
 FR 2440886 A1 6/1980  
 GB 1600133 A 10/1981  
 GB 2249717 A 5/1992  
 GB 2335972 A 10/1999  
 GB 3004135 9/2002  
 GB 3006367 10/2002  
 JP 11051532 2/1999  
 JP 3275477 B2 4/2002  
 JP D1160335 12/2002  
 JP 2003026258 A 1/2003  
 JP D1213384 8/2004  
 JP D1242111 6/2005  
 JP 2010023926 A 2/2010  
 JP D1445624 7/2012  
 KR 20020027739 A 4/2002  
 KR 20040092730 A 11/2004  
 KR 300778570.0000 1/2015  
 KR 300808669.0000 8/2015  
 KR 300835242.0000 1/2016  
 KR 300853718.0000 5/2016  
 WO 9524146 A2 9/1995  
 WO 9812954 A1 4/1998  
 WO 02058500 A1 8/2002  
 WO 2006007266 A2 1/2006  
 WO 2006058538 A1 6/2006  
 WO 2007016092 A2 2/2007  
 WO 2010106296 A2 9/2010  
 WO 2010120199 A1 10/2010  
 WO 2012003543 A1 1/2012  
 WO 2014033450 A1 3/2014  
 WO 2014066026 A1 5/2014  
 WO 2016066817 A1 5/2016

## OTHER PUBLICATIONS

Icemule Classic Cooler—Large (20L), <http://www.icemulecooler.com/icemule-classic-cooler-large-20l/>, Published date unknown, but prior to the filing date of the present application, Icemule, United States.

Devonbuy.com: Thule Gauntlet 13" MacBook Pro Attaché. Published on Jul. 28, 2014. Retrieved from the internet at <http://www.devonbuy.com/thule-gauntlet-13-macbook-pro-attache/>, Feb. 24, 2016. 9 pages.

United States District Court for the Western District of Texas, Austin Division, “Defendants’ Answer and Counterclaims to YETI’s Complaint,” *YETI Coolers, LLC*, vs. *RTIC Soft Sided Coolers, LLC*, *RTIC Coolers, LLC*, *RTIC Web Services, LLC*, and *Corporate Support and Fulfillment, LLC*, Case 1:16-cv-00909-RP, Document 11, Filed Aug. 18, 2016, 44 pages.

United States District Court Western District of Texas, Austin Division, “Complaint,” *YETI Coolers, LLC*, v. *RTIC Soft Side Coolers, RTIC Coolers, LLC, RTIC Web Services, LLC, and Corporate Support and Fulfillment, LLC*, Case 1:16-v-00909, Document 1, Filed Jul. 27, 2016, 66 pages.

United States District Court Western District of Texas, Austin Division, “Complaint for Damages and Injunctive Relief,” *YETI Coolers, LLC* v. *Jennifer Leverne Bootz Evans d/b/a Bling and Burlap Buy In’s and Blanks*, Case 1:15-cv-00995, Document 1, Filed Nov. 2, 2015, 128 pages.

United States District Court Western District of Texas, Austin Division, “Defendant’s Reply in Support of Their Rule 12(B)(6) Motion to Dismiss for Failure to State a Claim” *YETI Coolers, LLC* v. *RTIC Soft Sided Coolers, LLC, RTIC Coolers, LLC, RTIC Web Services, LLC, and Corporate Support and Fulfillment, LLC*, Case 1:16-cv-00909-RP, Document 15, Filed Sep. 8, 2016, 13 pages.

United States District Court Western District of Texas, Austin Division, “Order,” *YETI Coolers, LLC* v. *Jennifer Leverne Bootz Evans d/b/a Bling and Burlap Buy In’s and Blanks*, Case 1:15-cv-00995-RP, Document 18, Filed Apr. 18, 2016, 1 page.

United States District Court Western District of Texas, Austin Division, “YETI’s Answer to RTIC’s Counterclaims,” *YETI coolers, LLC* v. *RTIC Soft Sided Coolers, LLC, RTIC Coolers, LLC, RTIC Web Services, LLC, and Corporate Support and Fulfillment, LLC*, Case 1:16-cv-00909-RP, Document 14, Filed Sep. 2, 2016, 16 pages.

United States District Court Western District of Texas, Austin Division, “YETI’s Opposition to RTIC’s Motion to Dismiss,” *YETI Coolers, LLC* v. *RTIC Soft Sided Coolers, LLC, RTIC Coolers, LLC, RTIC Web Services, LLC, and Corporate Support and Fulfillment, LLC*, Case 1:16-cv-00909-RP, Document 13, Filed Sep. 1, 2016, 17 pages.

United States District Court for the Western District of Texas, Austin Division, “Defendants’ Rule 12(B)(6) Motion to Dismiss for Failure to State a Claim,” *YETI Coolers, LLC*, vs. *RTIC Soft Sided Coolers, LLC, RTIC Coolers, LLC, RTIC Web Services, LLC, and Corporate Support and Fulfillment, LLC*, Case 1:16-cv-00909-RP, Document 10, Filed Aug. 18, 2016, 12 pages.

United States District Court for the Western District of Texas, Austin Division, “Joint Rule 26(f) Report and Discovery Plan,” *YETI Coolers, LLC*, vs. *RTIC Soft Sided Coolers, LLC, RTIC Coolers, LLC, RTIC Web Services, LLC, and Corporate Support and Fulfillment, LLC*, Case 1:16-cv-00909-RP, Document 19, Filed Oct. 11, 2016, 9 pages.

Petition for Inter Partes Review of U.S. Pat. No. 9139352, filed on Dec. 13, 2016, 1616 pages.

TheGadgeteer.com: Tom Bihn Camera 1-0 Bag Review. Published Jul. 9, 2012. Retrieved from the internet at <http://the-gadgeteer.com/2012/07/09/tom-bihn-camera-i-o-bag-review/>, Jan. 11, 2016. 7 pages.

YouTube.com: Patagonia Black Hole Duffel 60L. Published Aug. 26, 2013. Retrieved from the internet at <https://www.youtube.com/watch?v=W-PWEmZmVv8>, Dec. 19, 2016. 1 page.

Youtube, “Yeti Hopper Cooler at ICast 2014”, Uploaded by user TackleDirect on Jul. 17, 2014, Accessed Jan. 31, 2017. (<https://www.youtube.com/watch?v=A2rKRdyZcZ4>).

(56)

**References Cited**

## OTHER PUBLICATIONS

Ebags, Picnic Pack Picnic Pack Large Insulated Cooler Tote, First reviewed on Jul. 20, 2016. Accessed Feb. 7, 2017. (<http://www.ebags.com/product/picnic-pack/picnic-pack-large-insulated-cooler-tote/313704?productid=10428840>).

United States Patent and Trademark Office Before the Patent Trial and Appeal Board, Decisions Joint Motions to Terminate Inter Partes Review, Entered Mar. 22, 2017—(4 pgs).

Jan. 31, 2017—(WO) International Search Report and Written Opinion—App. PCT/US2016/060135.

Mar. 27, 2017—(WO) International Search Report and Written Opinion—App PCT/US2017/016552.

May 8, 2017—(US) Non-Final Office Action—U.S. Appl. No. 15/154,626.

May 22, 2015—(US) Non-Final Office Action—U.S. Appl. No. 14/479,607.

United States District Court Western District of Texas Austin Division, “Complaint,” *YETI Coolers, LLC v. Glacier Coolers, LLC, and Tecomate Holdings, LLC*, Case 1:17-cv-00586, Document 1, filed Jun. 15, 2017, 161 pages.

May 30, 2017—(WO) ISR—App. No. PCT/US17/32351.

May 30, 2017—(WO) Written Opinion—App. No. PCT/US17/32351.

Vimeo, “Cleaning Your YETI Hopper” uploaded by user YETI Coolers on Nov. 4, 2014, Accessed Sep. 27, 2017. (<https://vimeo.com/110890075>).

Sep. 13, 2017—(US) Final Office Action—U.S. Appl. No. 15/137,838.

Nov. 24, 2017—(US) Final Office Action—U.S. Appl. No. 15/154,626.

Good Housekeeping, “Lands’ End Zip Top Cooler Tote #433786”, Reviewed on Apr. 2014, Accessed Nov. 18, 2017. <http://www.goodhousekeeping.com/travel-products/food-cooler-reviews/a33270/lands-end-zip-top-cooler-tote-433786/>.

Home Shopping Network, “Built New York Large Welded Cooler Bag”, Accessed Nov. 18, 2017. (<https://www.hsn.com/products/built-new-york-large-welded-cooler-bag/8561033>).

Feb. 9, 2018—(US) Non-Final Office Action—U.S. Appl. No. 15/451,064.

May 24, 2018—(US) Non-final Office Action—U.S. Appl. No. 15/790,926.

Aug 29, 2018 (WO)—International Search Report and Written Opinion—App. No. PCT/US18/36608.

United States District Court Western District of Texas, Austin Division, “Complaint,” *YETI Coolers, LLC, v. RTIC Soft Bide Coolers, RTIC Coolers, LLC, RTIC Web Services, LLC, and Corporate Support and Fulfillment, LLC*, Case 1:16-cv-00909, Document 1, Filed Jul. 27, 2016, 66 pages.

\* cited by examiner

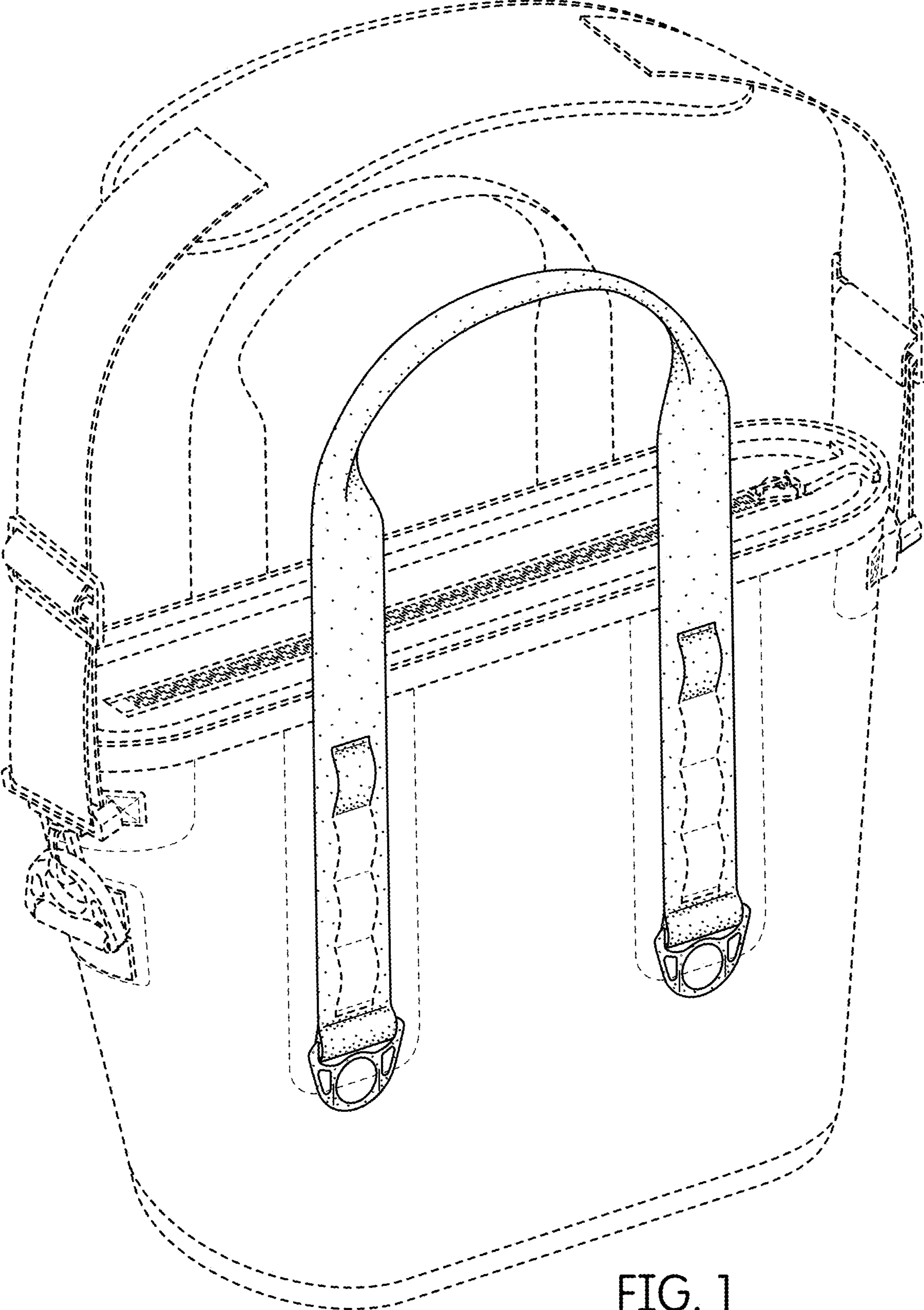


FIG. 1



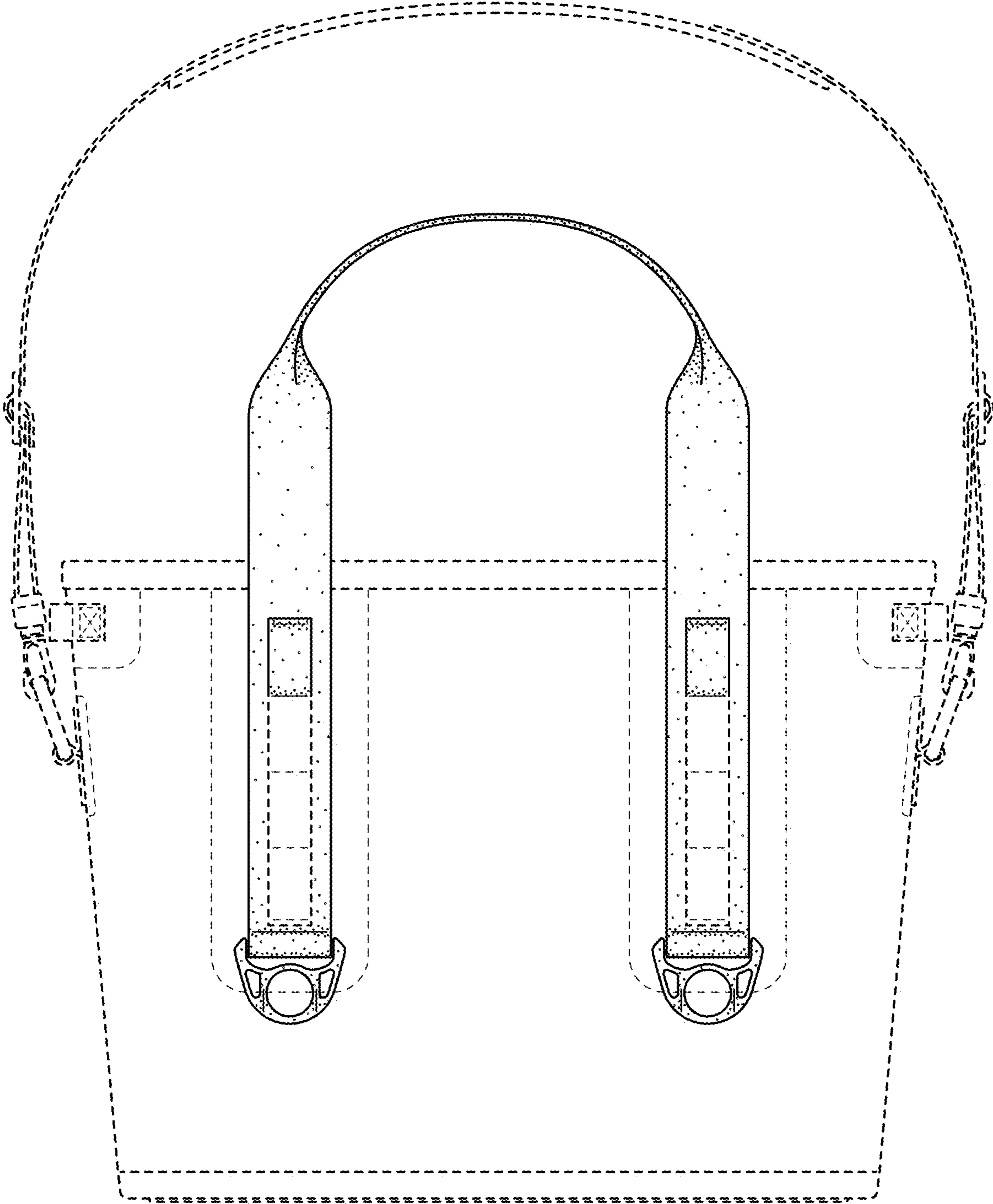


FIG. 2

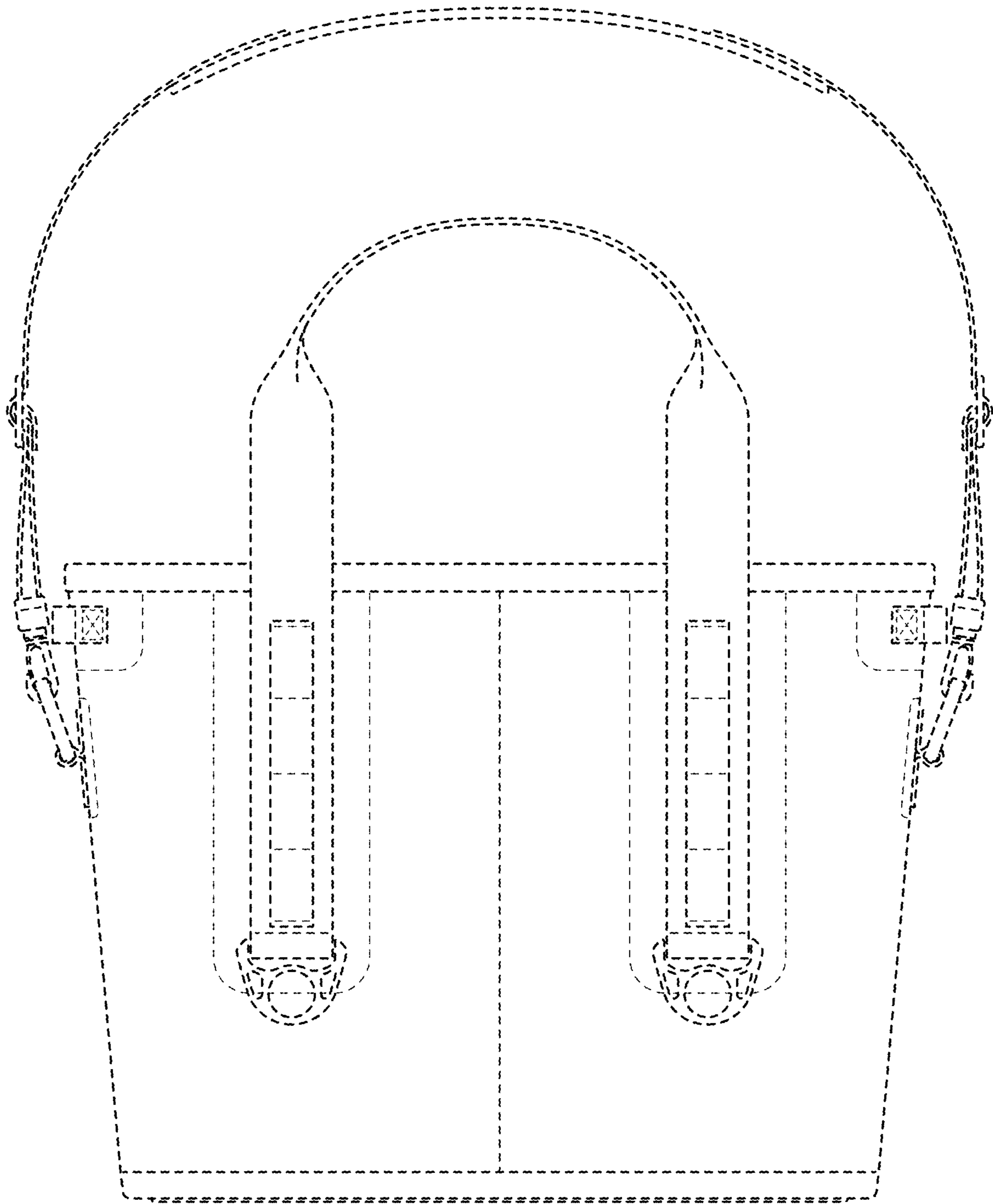


FIG. 3