



US00D880859S

(12) **United States Design Patent**
Lourenco

(10) **Patent No.:** **US D880,859 S**
(45) **Date of Patent:** **** Apr. 14, 2020**

(54) **TOOL BIT CONTAINER**
(71) Applicant: **BLACK & DECKER INC.**, New Britain, CT (US)
(72) Inventor: **Marco Lourenco**, Baltimore, MD (US)
(73) Assignee: **BLACK & DECKER INC.**, New Britain, CT (US)
(**) Term: **15 Years**

6,868,967 B2 3/2005 Lam
D528,793 S 9/2006 Cornwell et al.
7,219,969 B2 5/2007 Bezzubov
7,237,673 B2 7/2007 Wikle et al.
7,322,470 B2 1/2008 Brunson
D563,102 S 3/2008 Cornwell et al.
D563,670 S 3/2008 Cornwell et al.
D563,671 S 3/2008 Cornwell et al.
7,690,856 B2 4/2010 Mortensen
D645,663 S 9/2011 Henley et al.
D648,531 S 11/2011 Finnigan et al.
8,322,354 B2 12/2012 Parker

(Continued)

(21) Appl. No.: **29/616,224**
(22) Filed: **Sep. 5, 2017**
(51) **LOC (12) Cl.** **03-01**
(52) **U.S. Cl.**
USPC **D3/295; D3/905**
(58) **Field of Classification Search**
USPC D3/272, 273, 274, 275, 276, 281, 284,
D3/292, 294, 306, 905; D9/414, 418,
D9/420-423, 432
CPC .. A45C 5/00; A45C 5/04; A45C 11/00; A45C
11/16
See application file for complete search history.

FOREIGN PATENT DOCUMENTS

DE 3517308 A1 9/1985
DE 202014105326 U1 12/2014
EP 1736416 A2 12/2006

Primary Examiner — Holly E Thurman

(74) Attorney, Agent, or Firm — Scott D. Markow

(57) **CLAIM**

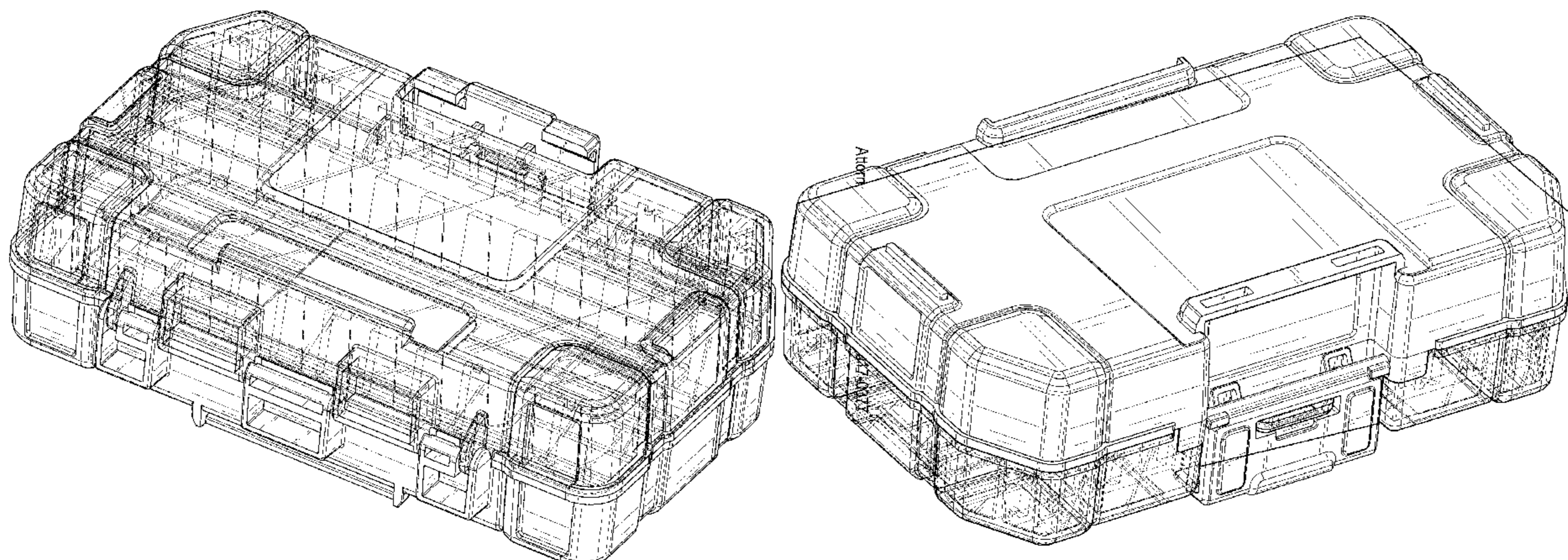
The ornamental design for a tool bit container, as shown and described.

DESCRIPTION

FIG. 1 is a top perspective view of a first embodiment of a tool bit container shown in a closed position.
FIG. 2 is a bottom perspective view of the tool bit container of FIG. 1.
FIG. 3 is a top view of the tool bit container of FIG. 1.
FIG. 4 is a bottom view of the tool bit container of FIG. 1.
FIG. 5 is a left view thereof of the tool bit container of FIG. 1.
FIG. 6 is a right view thereof of the tool bit container of FIG. 1.
FIG. 7 is a front view of the tool bit container of FIG. 1; and, FIG. 8 is a rear view of the tool bit container of FIG. 1.

1 Claim, 8 Drawing Sheets

(56) **References Cited**
U.S. PATENT DOCUMENTS
263,561 A 8/1882 Mower
4,643,494 A 2/1987 Marleau
4,863,222 A 9/1989 Posso
5,570,784 A 11/1996 Sidabras et al.
5,617,953 A 4/1997 Cope
5,803,254 A 9/1998 Vasudeva
5,887,715 A 3/1999 Vasudeva
5,890,613 A 4/1999 Williams
5,934,466 A 8/1999 Loeffler
6,082,539 A 7/2000 Lee
6,271,320 B1 8/2001 Keller et al.
6,349,827 B1 2/2002 Feder
6,543,613 B2 4/2003 Belanger



(56)

References Cited

U.S. PATENT DOCUMENTS

8,459,495	B2	6/2013	Koenig et al.	
8,561,679	B2	10/2013	Andochick	
8,590,704	B2	11/2013	Koenig et al.	
8,714,355	B2	5/2014	Huang	
8,875,888	B2	11/2014	Koenig et al.	
D721,491	S *	1/2015	Wang	D3/273
8,979,100	B2	3/2015	Bensman et al.	
9,469,024	B2	10/2016	Bensman et al.	
D781,584	S	3/2017	Kinsky	
D789,086	S *	6/2017	Lin	D3/294
D799,822	S *	10/2017	Kanda	D3/276
D814,187	S *	4/2018	Caglar	D3/276
D844,986	S *	4/2019	Zhao	D3/298
2002/0179473	A1	12/2002	Chao	
2004/0188322	A1	9/2004	Chen	
2012/0152944	A1	6/2012	Vilkomirski et al.	
2015/0353231	A1	10/2015	Brunner	
2016/0075010	A1	3/2016	Gonzalez et al.	
2016/0194115	A1	7/2016	Stuart et al.	

* cited by examiner

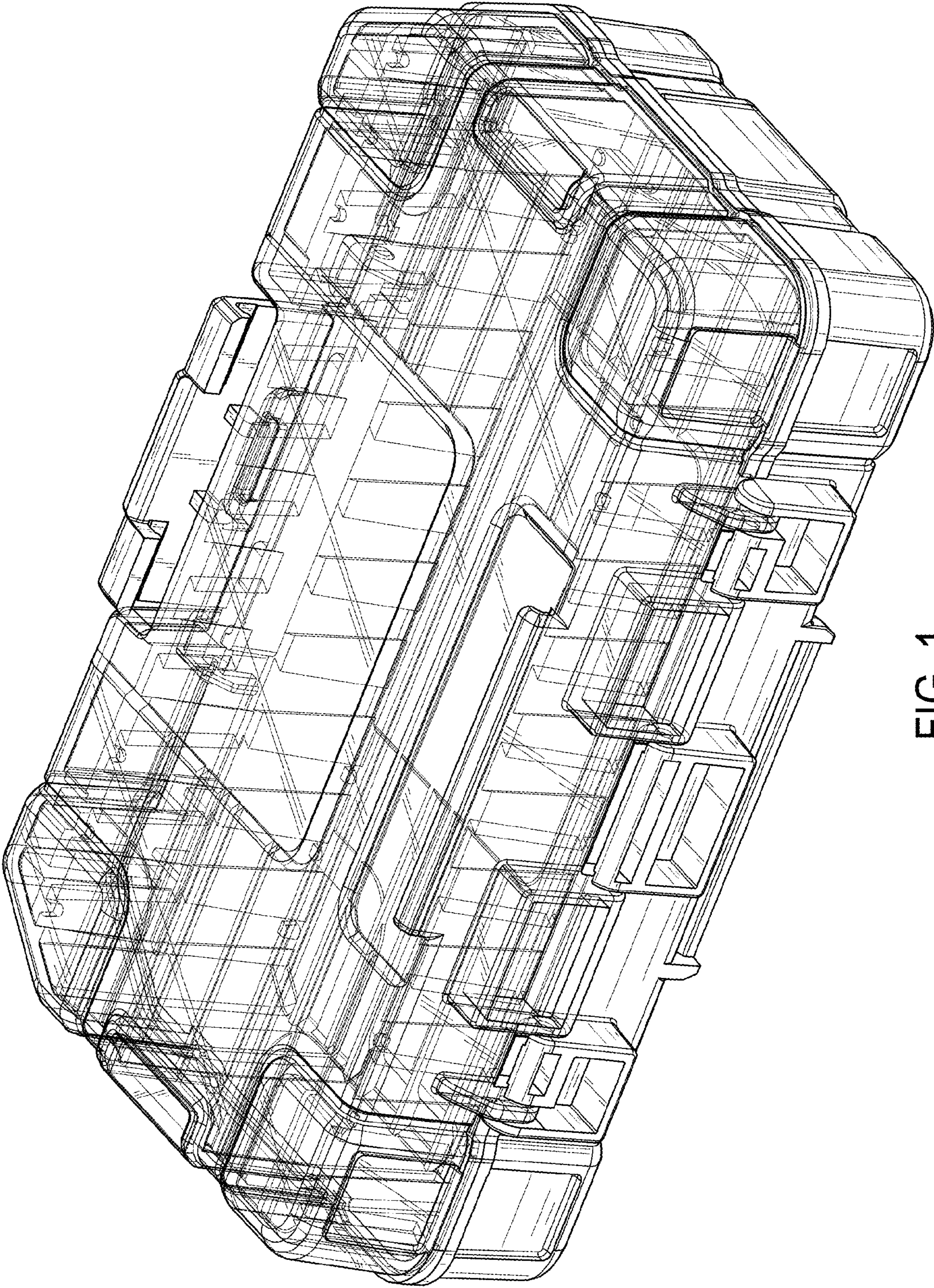


FIG. 1

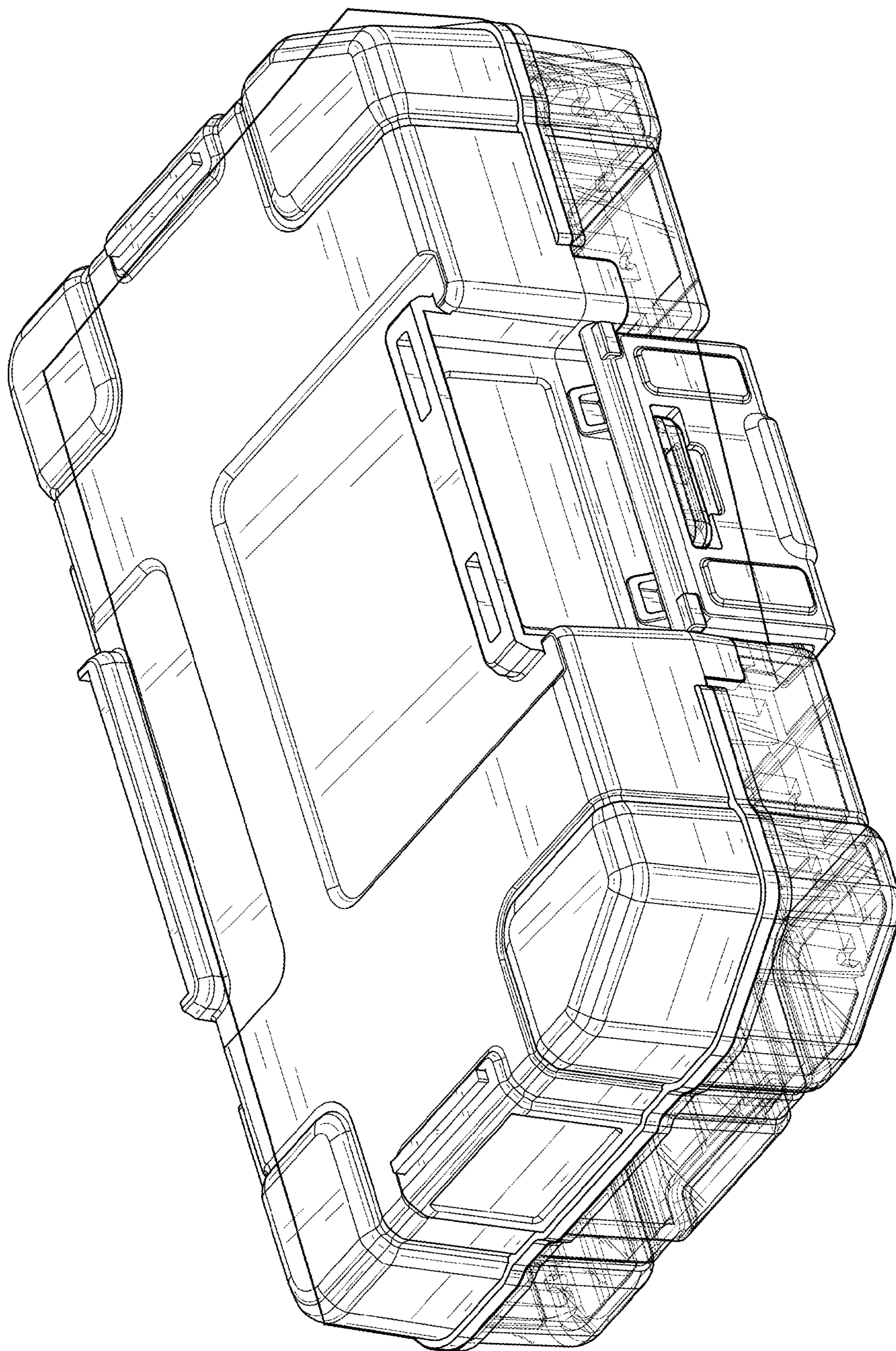


FIG. 2

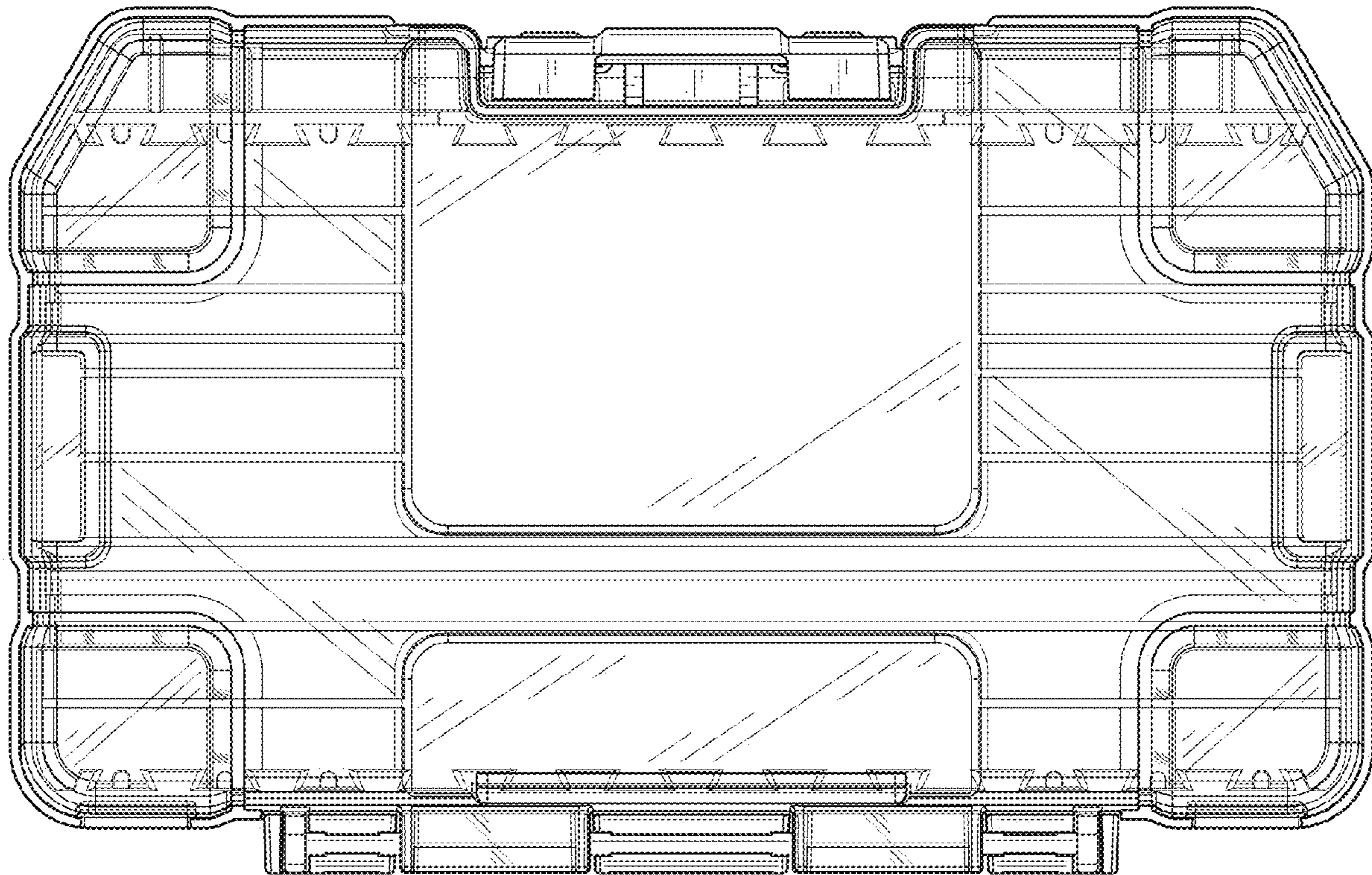


FIG. 3

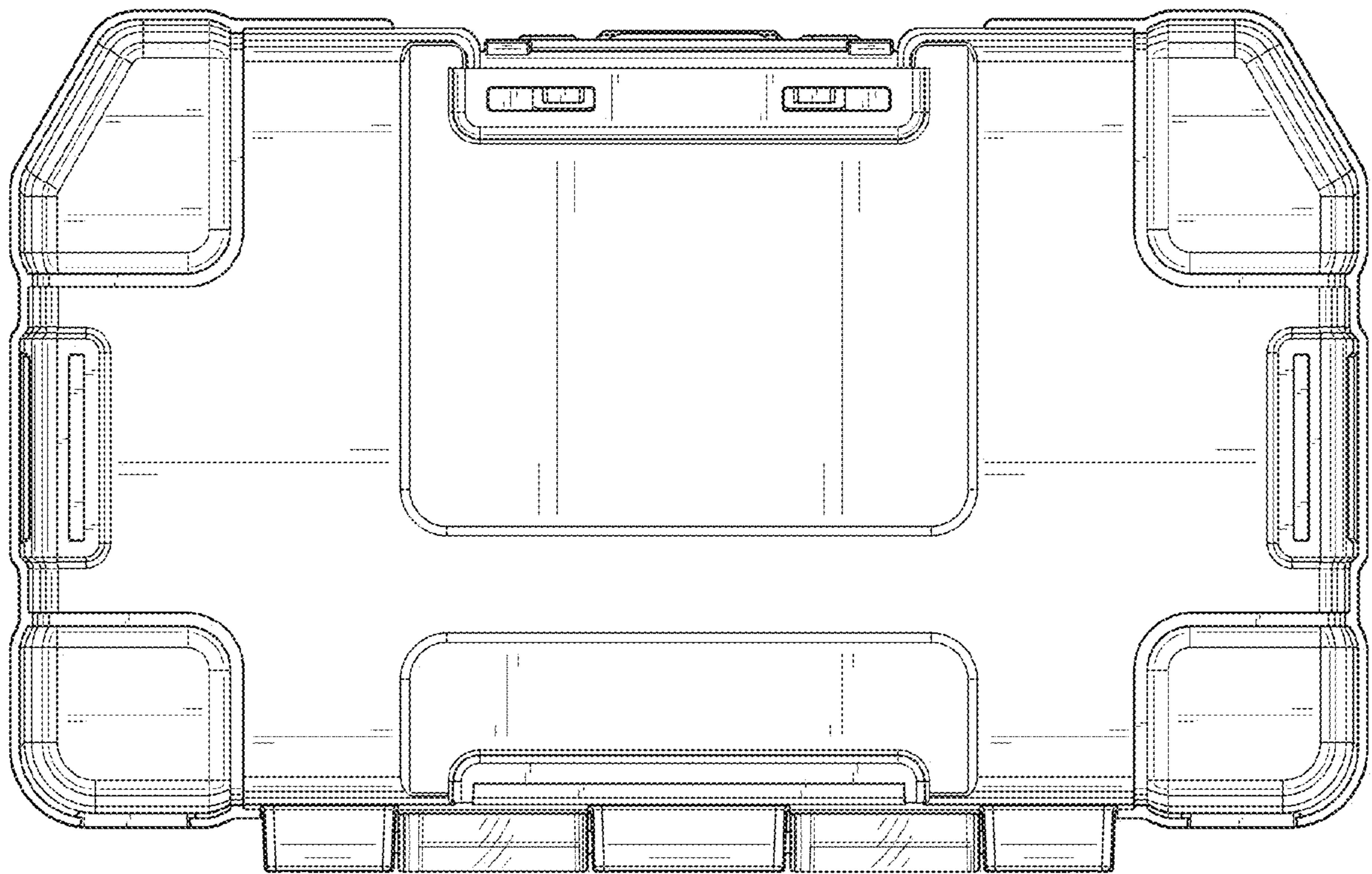


FIG. 4

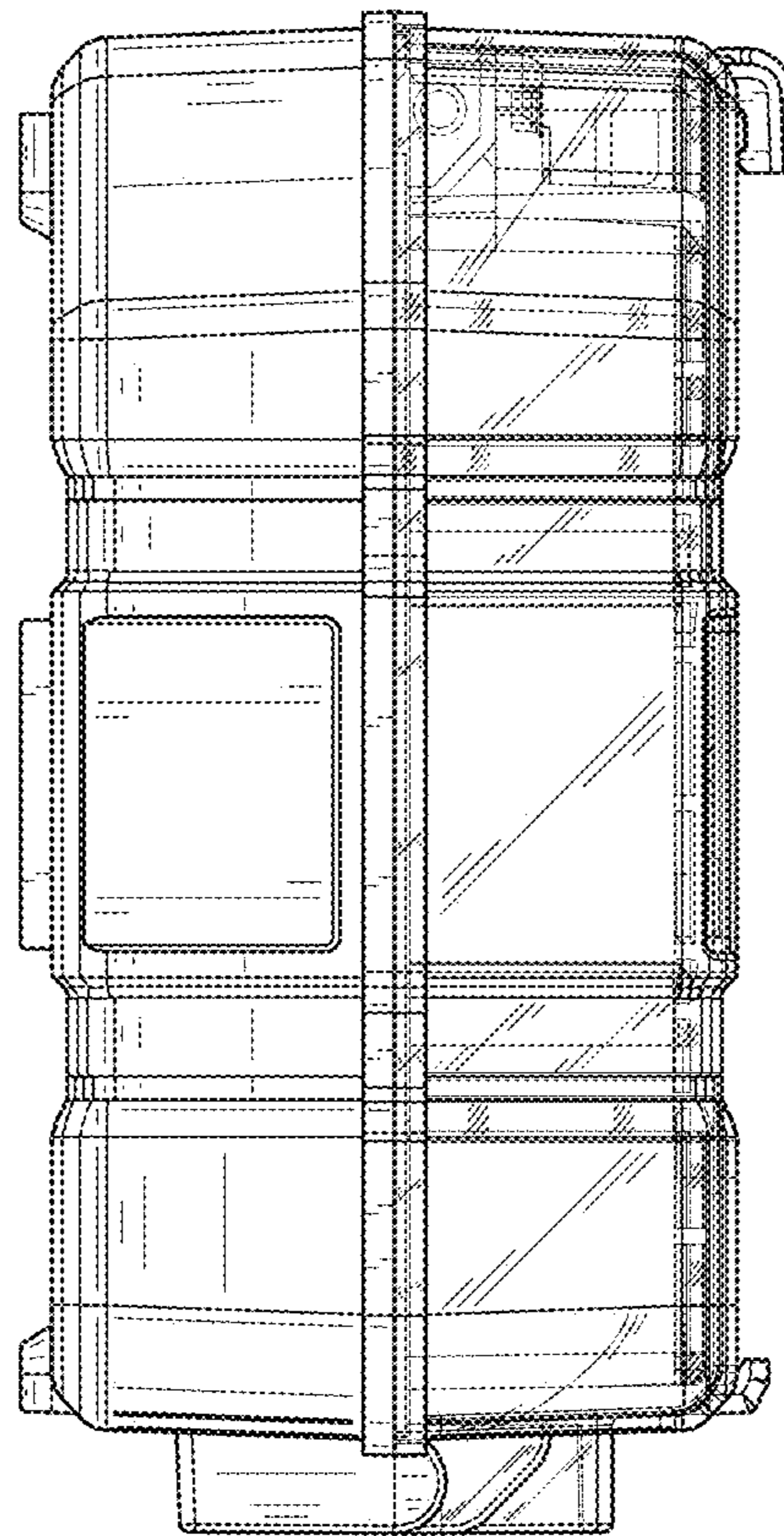


FIG. 5

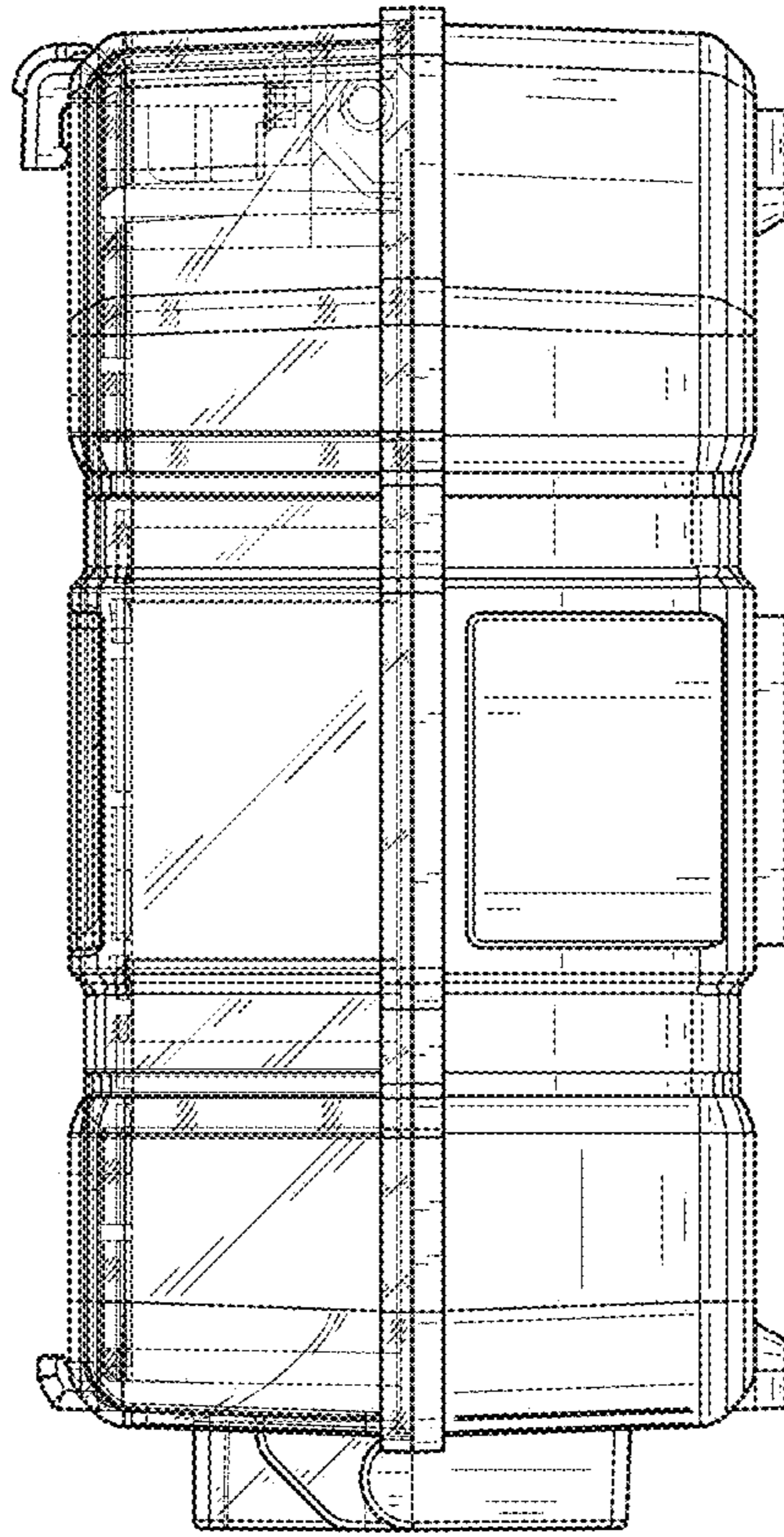


FIG. 6

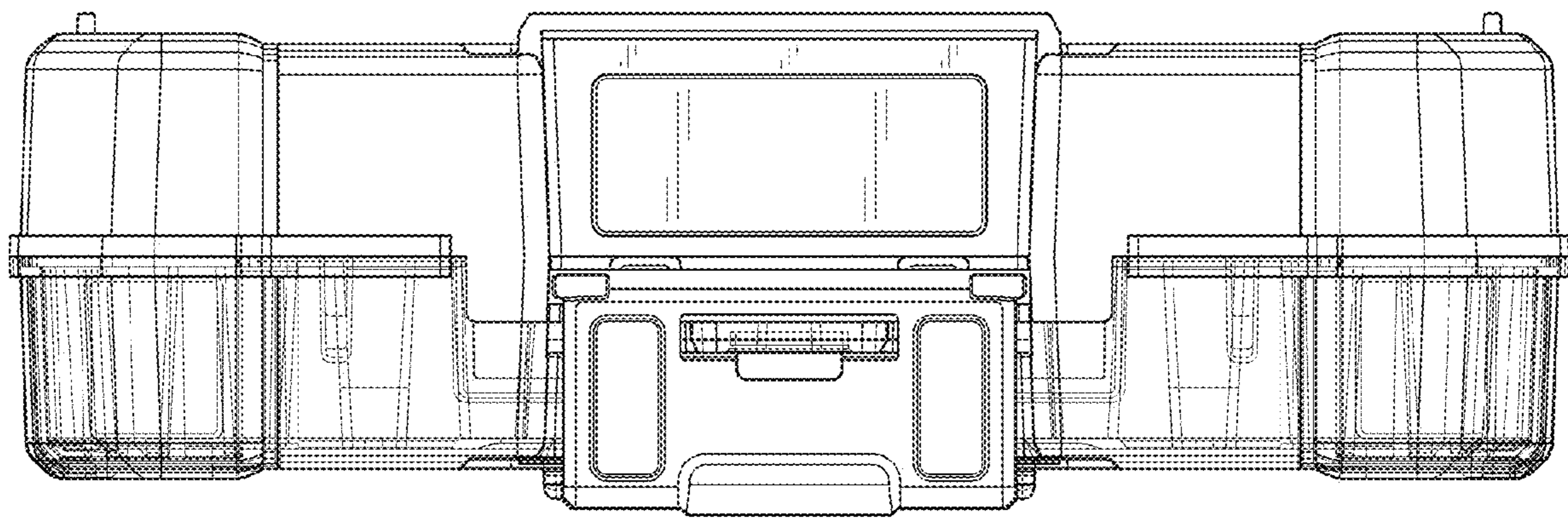


FIG. 7

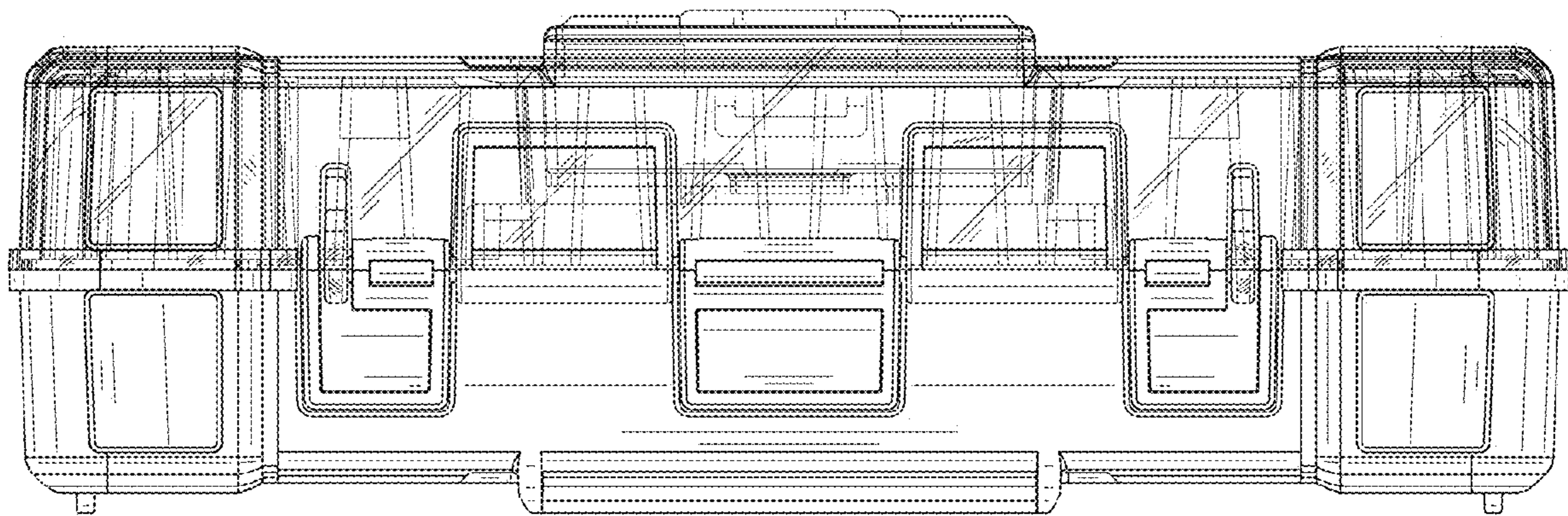


FIG. 8