



US00D880858S

(12) **United States Design Patent**  
**Wang**

(10) **Patent No.:** **US D880,858 S**  
(45) **Date of Patent:** **\*\* Apr. 14, 2020**

(54) **SEWING MACHINE MULTI-FUNCTIONAL BAG**

(71) Applicant: **Jiben Wang**, Xiamen (CN)

(72) Inventor: **Jiben Wang**, Xiamen (CN)

(\*\*) Term: **15 Years**

(21) Appl. No.: **29/694,438**

(22) Filed: **Jun. 11, 2019**

(51) **LOC (12) Cl.** ..... **03-01**

(52) **U.S. Cl.**  
USPC ..... **D3/287**

(58) **Field of Classification Search**  
USPC .... D3/20, 201, 203.6, 206, 233, 267, 271.1,  
D3/273, 274, 276, 283, 284, 285, 287,  
D3/289, 295, 900, 901, 905, 301, 315;  
D7/607

CPC ..... B25H 3/003; B25H 3/02; A45C 11/00;  
A45C 2013/025; A45C 11/38; A45C  
11/34; A45C 5/005; A45C 2003/008;  
A45C 3/00

See application file for complete search history.

(56) **References Cited**

**U.S. PATENT DOCUMENTS**

D311,452 S	*	10/1990	Ehret	.....	D3/286
D371,052 S	*	6/1996	Melk	.....	D7/607
D381,871 S	*	8/1997	Melk	.....	D7/607
D398,191 S	*	9/1998	Melk	.....	D7/607
D401,062 S	*	11/1998	Hauschild	.....	D3/287
D472,380 S	*	4/2003	Hillman	.....	D3/263
D476,480 S	*	7/2003	Hillman	.....	D3/263
D478,782 S	*	8/2003	Li	.....	D7/607
D526,484 S	*	8/2006	Flint	.....	D3/283
D530,506 S		10/2006	Thurner		
D573,422 S	*	7/2008	Tagliati	.....	D3/287
D680,739 S	*	4/2013	Hock	.....	D3/289

D685,575 S	*	7/2013	Cullen	.....	D3/272
D762,978 S	*	8/2016	Boroski	.....	D3/283
D776,921 S	*	1/2017	Bennetts	.....	D3/232
D819,966 S		6/2018	Yu		
D834,817 S	*	12/2018	Hoppe	.....	D3/263
D845,625 S	*	4/2019	Barlier	.....	D3/283

**OTHER PUBLICATIONS**

Amazon, "HOMEST Sewing Machine Carrying Case with Multiple Storage Pockets . . .", First reviewed on Aug. 5, 2019. (<https://www.amazon.com/HOMEST-Carrying-Multiple-Universal-Compatible/dp/B07XMC6CTQ>) (Year: 2019).\*

Amazon, "Kenley Sewing Machine Tote Bag—Padded Storage Cover Carrying Case with Pockets and Handles . . .", First reviewed on Aug. 25, 2016. (<https://www.amazon.com/Kenley-Sewing-Machine-Tote-Bag/dp/B01H42DWSI>) (Year: 2016).\*

\* cited by examiner

*Primary Examiner* — April Rivas

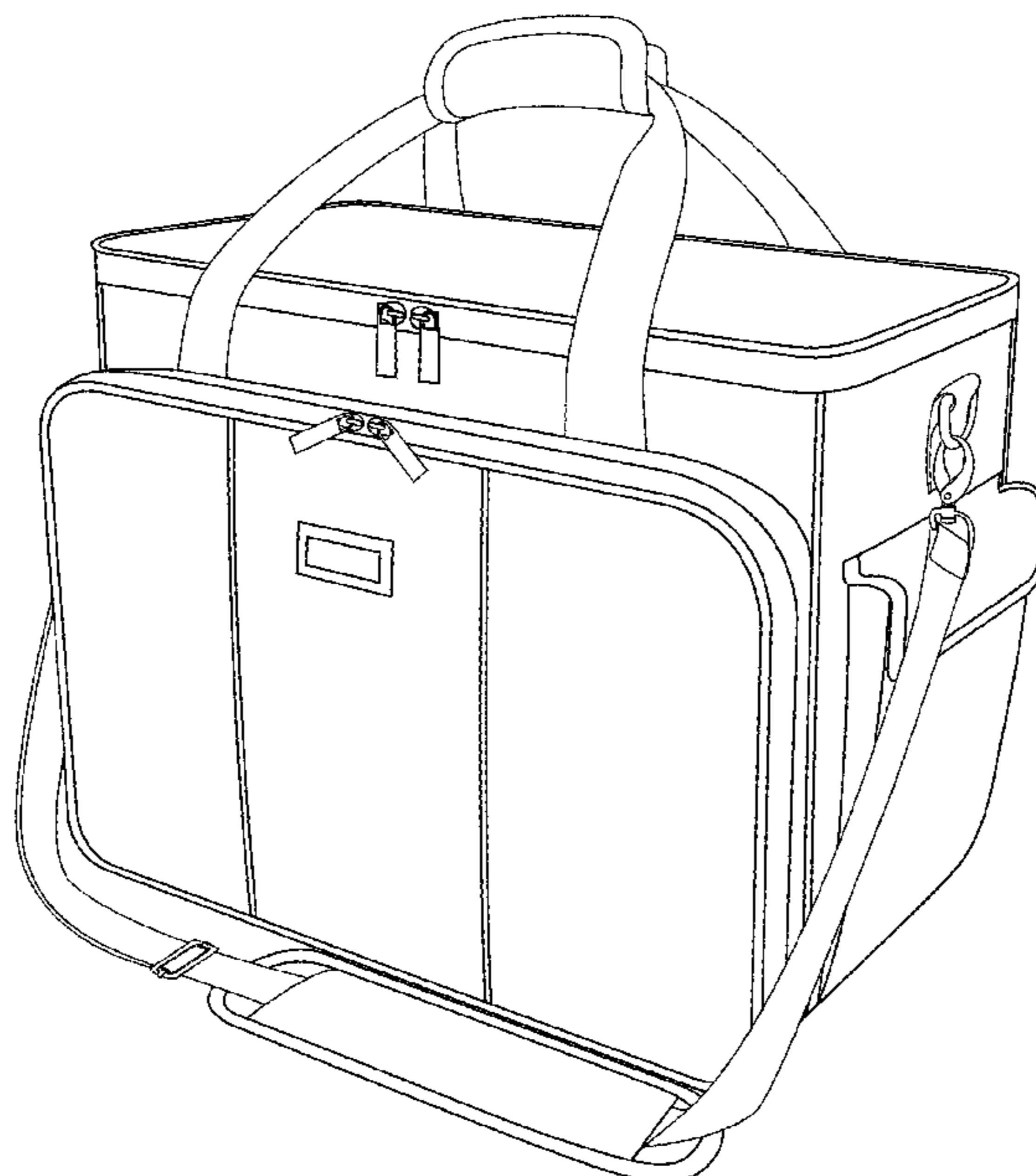
(57) **CLAIM**

I claim the ornamental design for a sewing machine multi-functional bag, as shown and described.

**DESCRIPTION**

FIG. 1 is a front perspective view of a sewing machine multi-functional bag showing my new design; FIG. 2 is a front elevational view thereof; FIG. 3 is a rear elevational view thereof; FIG. 4 is a left side elevational view thereof; FIG. 5 is a right side elevational view thereof; FIG. 6 is a top plan view thereof; and, FIG. 7 is a bottom plan view thereof. The broken lines illustrate portions of the sewing machine multi-functional bag and form no part of the claimed design.

**1 Claim, 7 Drawing Sheets**



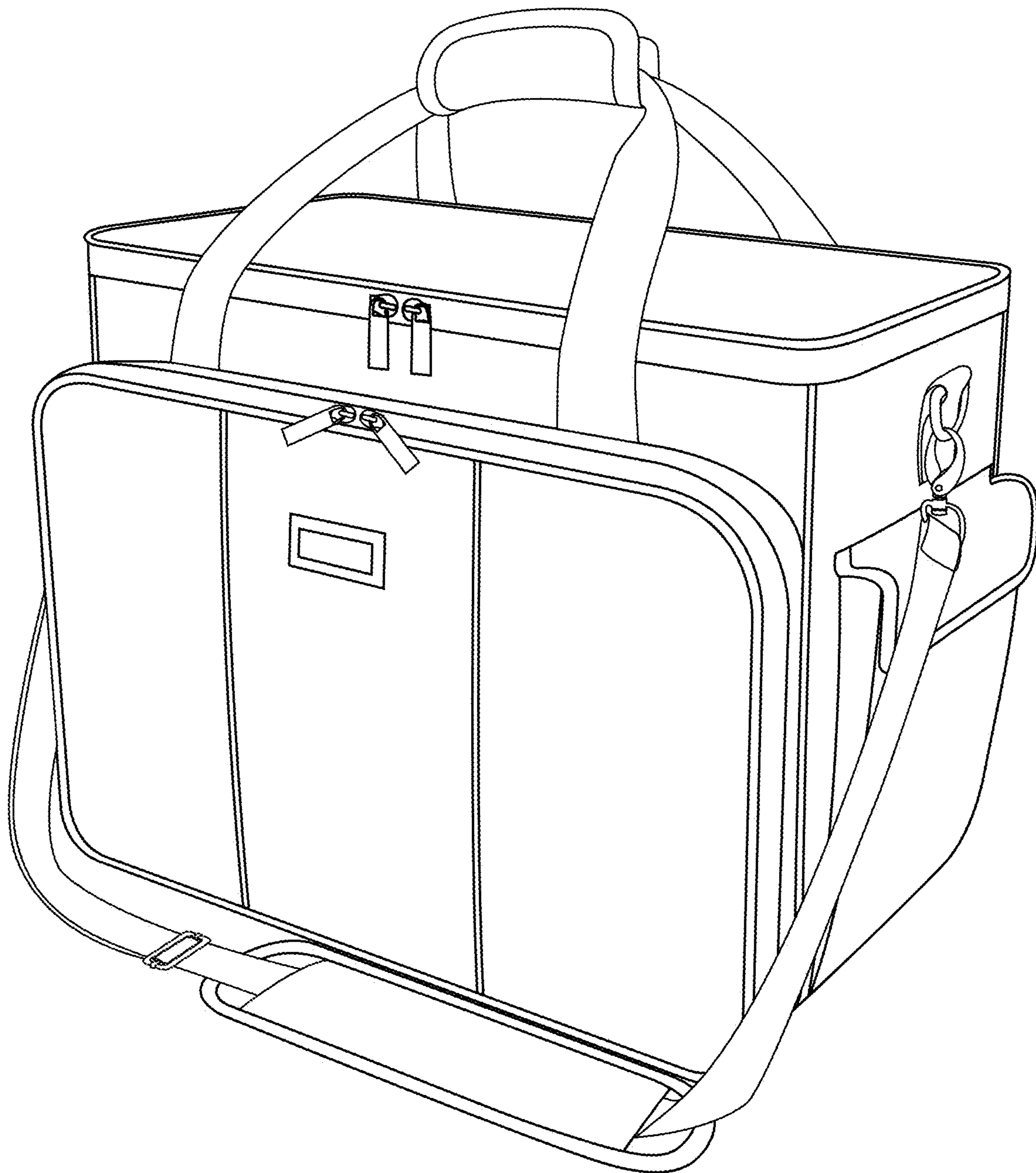


FIG. 1

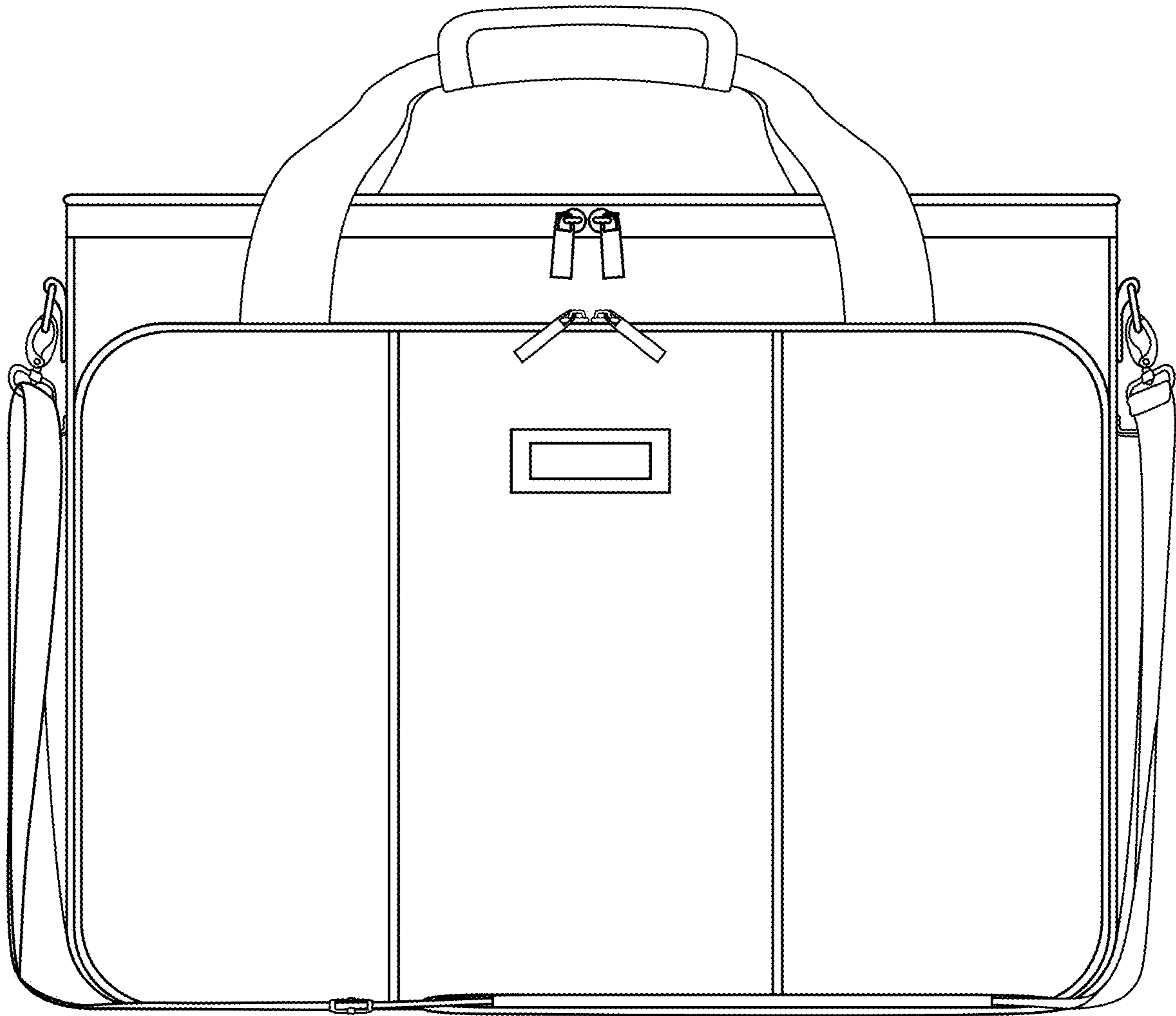


FIG. 2

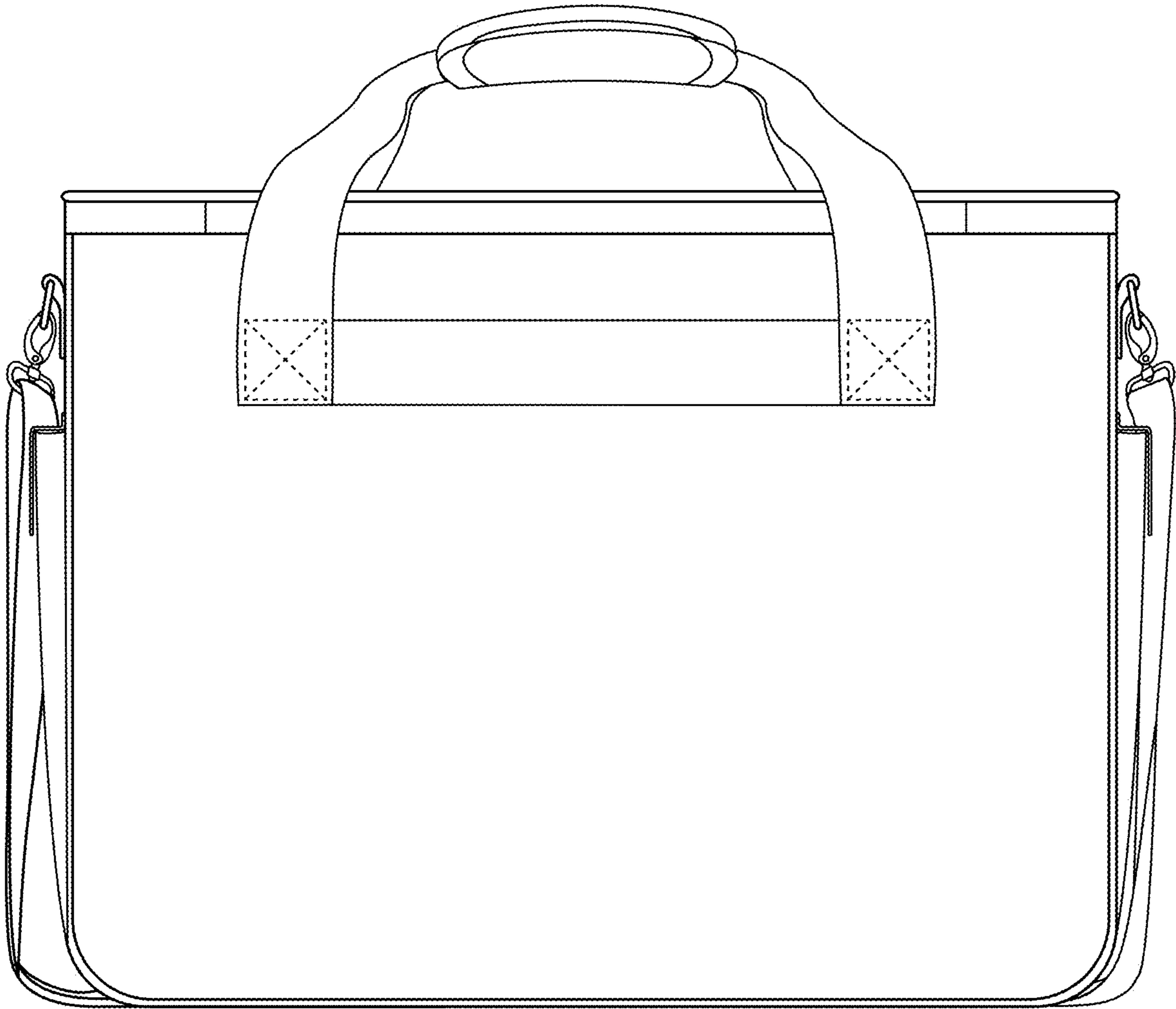


FIG. 3

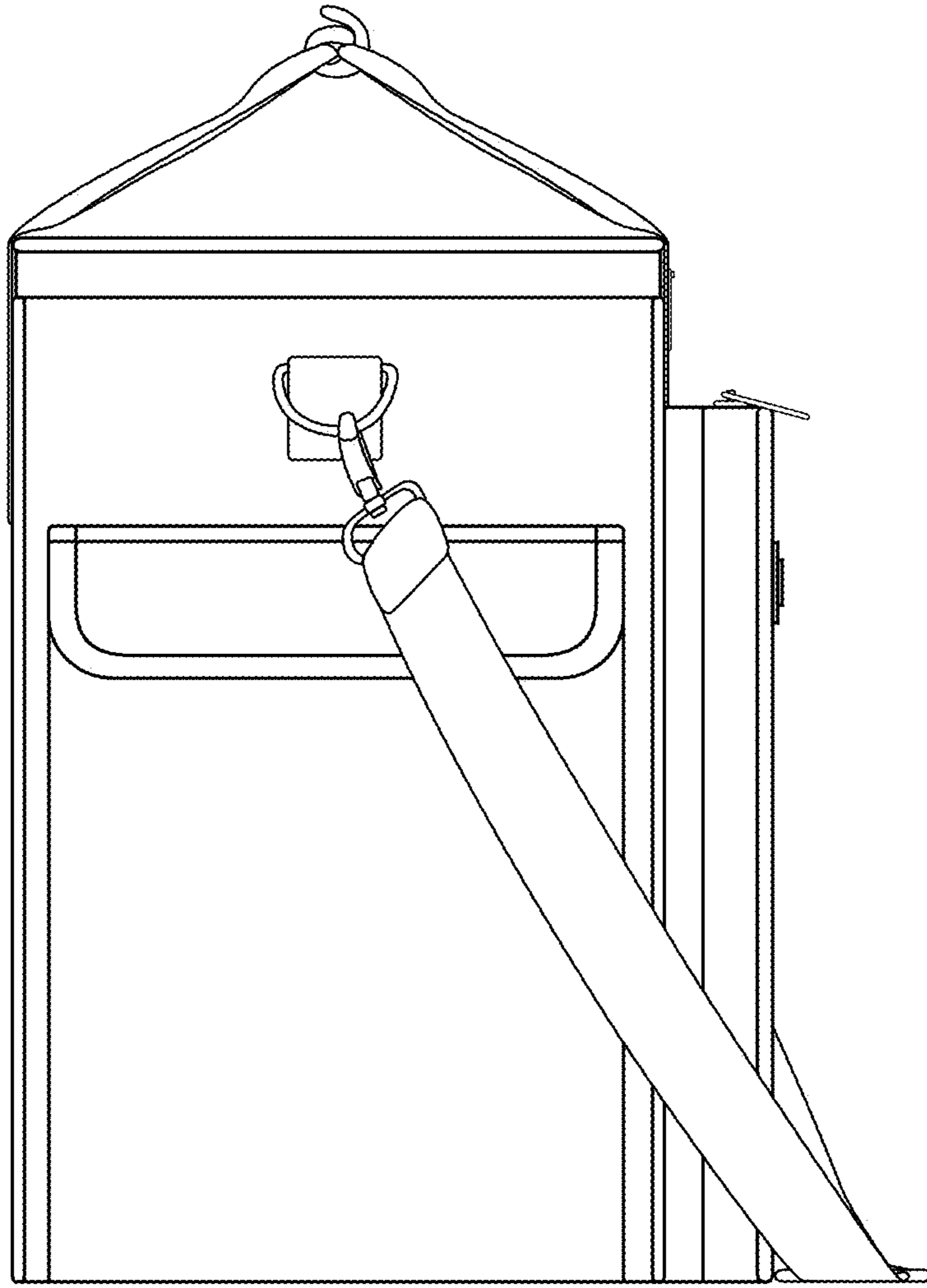


FIG. 4

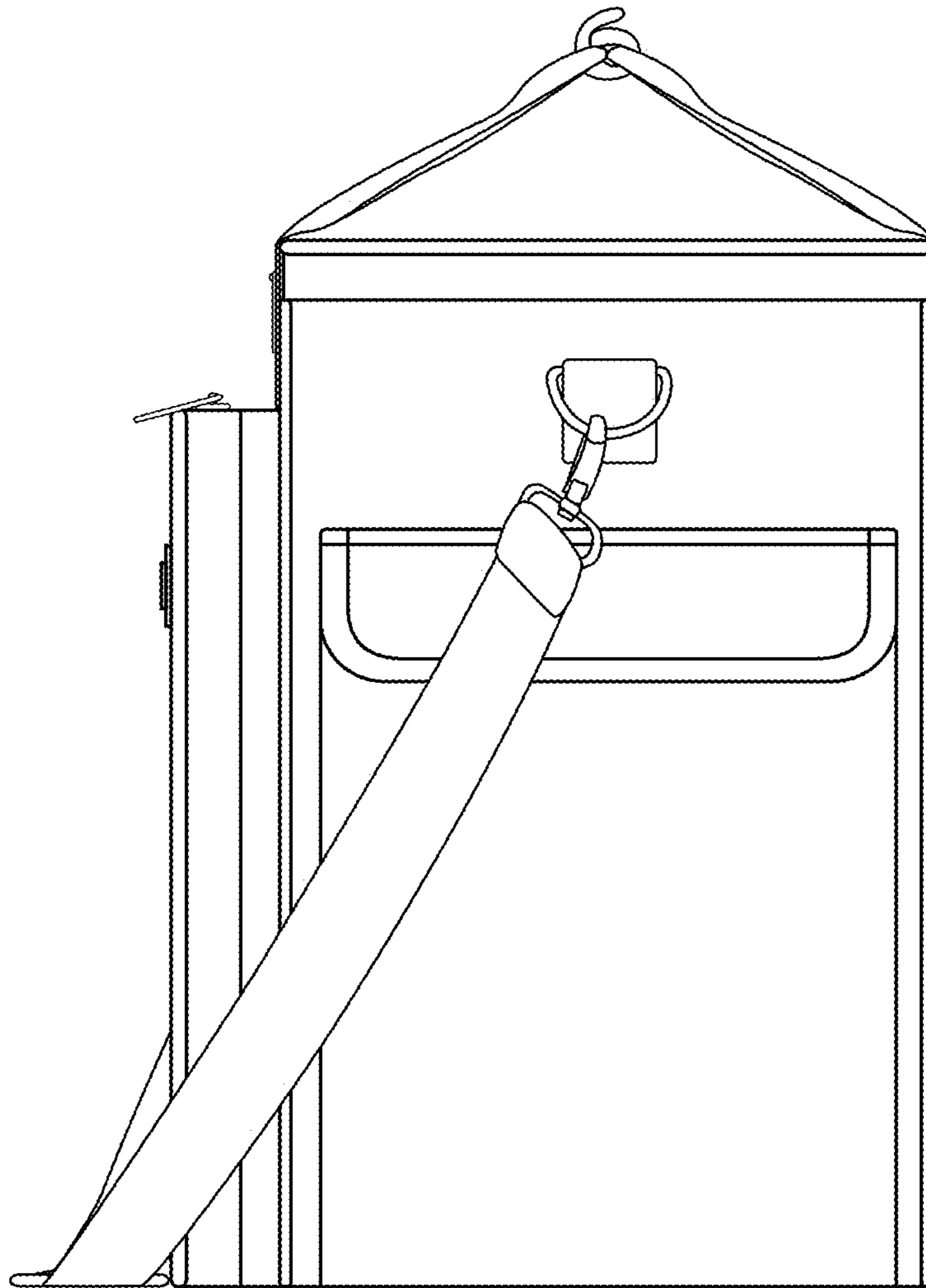


FIG. 5

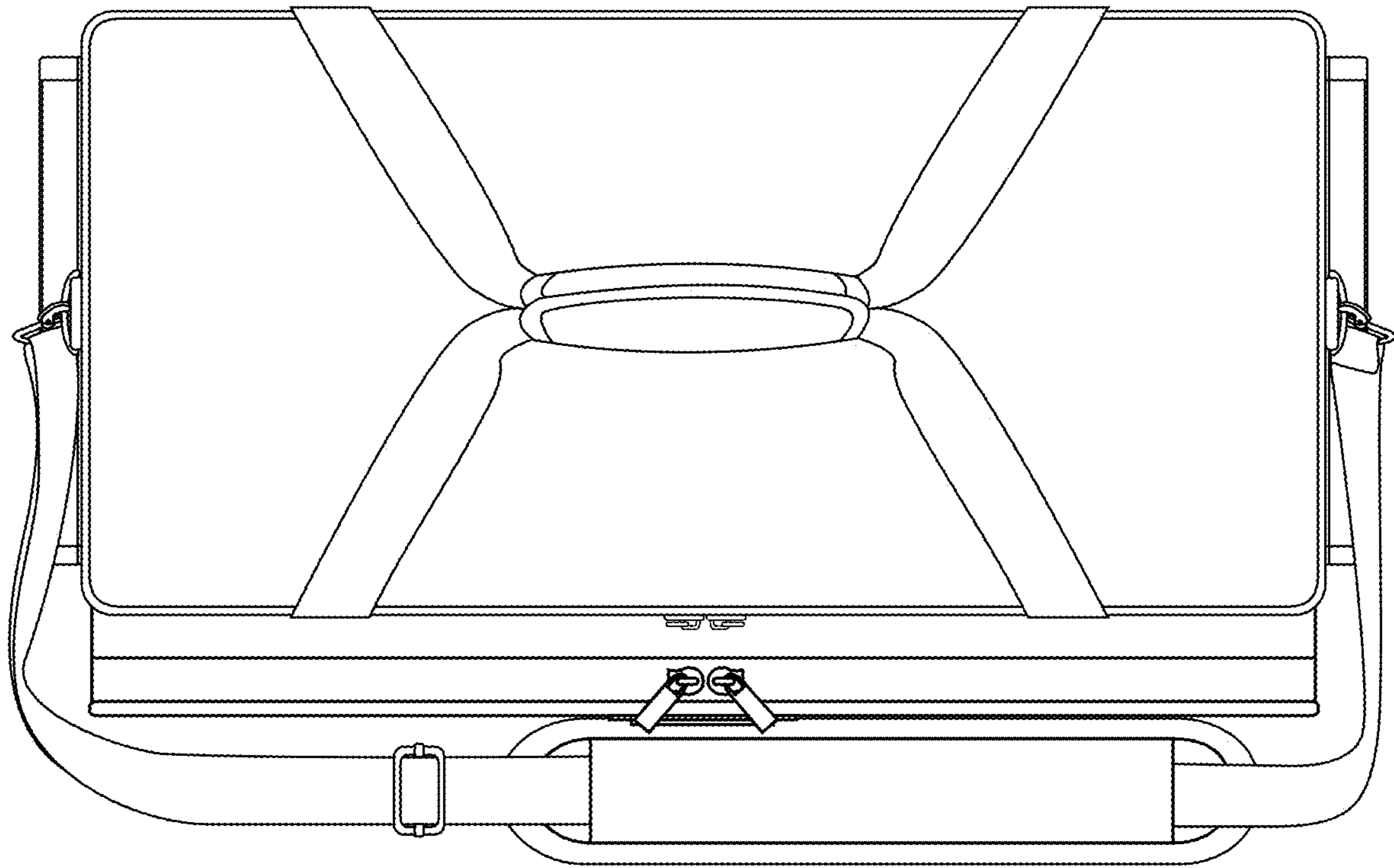


FIG. 6

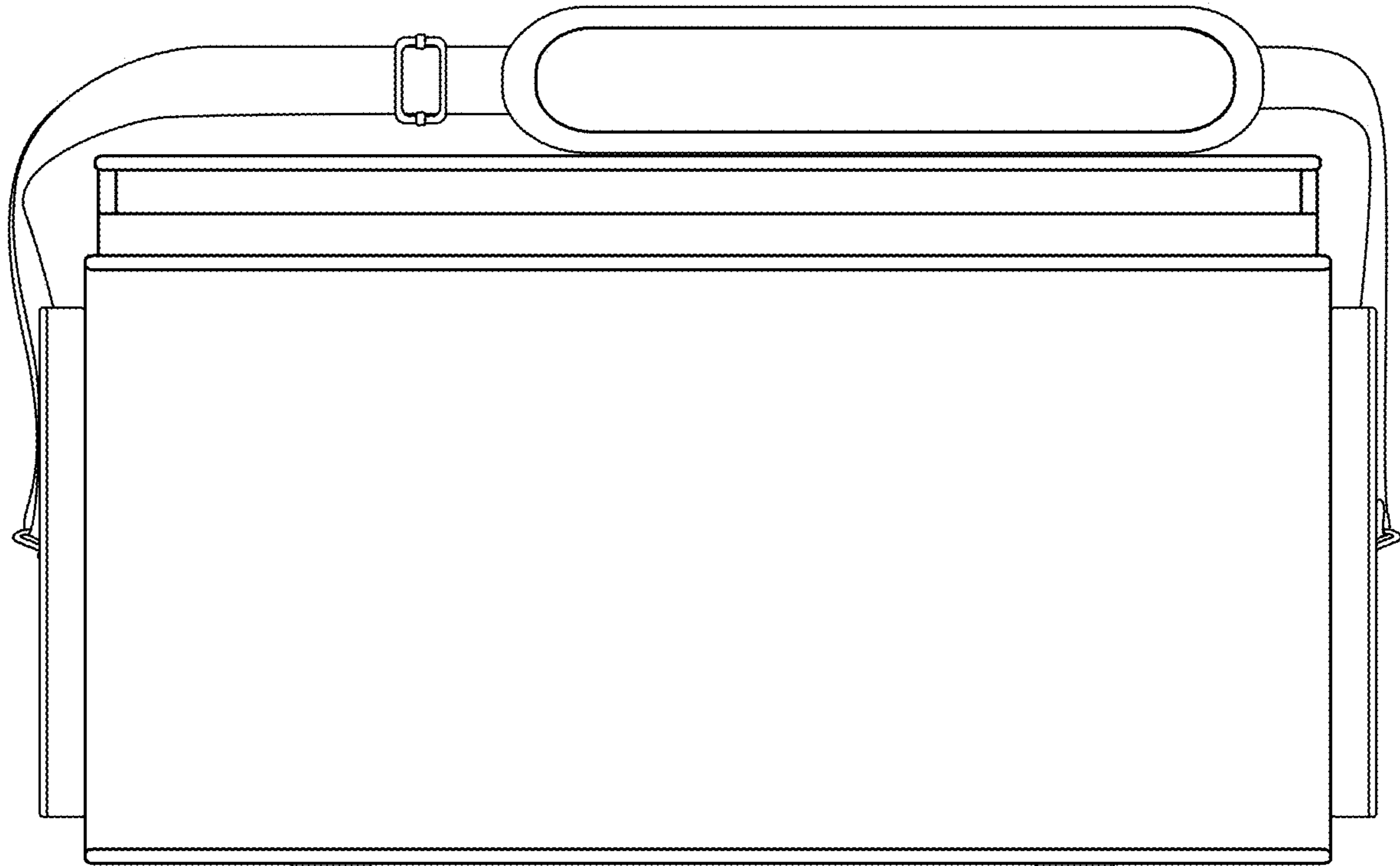


FIG. 7