



US00D880857S

(12) **United States Design Patent**  
**Smith, IV et al.**

(10) **Patent No.:** **US D880,857 S**  
(45) **Date of Patent:** **\*\* Apr. 14, 2020**

(54) **BAG**

(71) Applicant: **Bilio LLC**, Oakland, CA (US)

(72) Inventors: **Harry William Smith, IV**, Mill Valley, CA (US); **Nicholas Andrew Smith**, Sausalito, CA (US); **Philip Issac Oaks**, Berkeley, CA (US); **Carolina Isabel Rodriguez**, Berkeley, CA (US); **Kaitlan Cressman Sample**, San Francisco, CA (US)

(73) Assignee: **BILIO LLC**, Oakland, CA (US)

(\*\*) Term: **15 Years**

(21) Appl. No.: **29/671,464**

(22) Filed: **Nov. 27, 2018**

(51) **LOC (12) Cl.** ..... **03-01**

(52) **U.S. Cl.**  
USPC ..... **D3/273; D3/232**

(58) **Field of Classification Search**  
USPC .... D3/20, 201, 203.6, 206, 233, 267, 271.1,  
D3/273, 274, 276, 283, 284, 285, 287,  
(Continued)

(56) **References Cited**

**U.S. PATENT DOCUMENTS**

D387,628 S \* 12/1997 Keene ..... D3/246  
D440,765 S \* 4/2001 Spence, Jr. .... D3/283  
(Continued)

**OTHER PUBLICATIONS**

Vimeo, "Bilio Bag—The Story" posted by user Bilio on Aug. 1, 2019. (<https://vimeo.com/351506402>) (Year: 2019).\*

*Primary Examiner* — April Rivas

(74) *Attorney, Agent, or Firm* — Dergosits & Noah LLP

(57) **CLAIM**

The ornamental design for a bag, as shown and described.

**DESCRIPTION**

FIG. 1 is a right side perspective view of a first embodiment of a design for a bag;

FIG. 2 is a front view of the first embodiment of the design for the bag;

FIG. 3 is a detail view of the pattern from the section indicated in FIG. 2;

FIG. 4 is a back view of the first embodiment of the design for the bag and also a back view of the second embodiment of a design for a bag;

FIG. 5 a left side view of the first embodiment of the design for the bag;

FIG. 6 is a top view of the first embodiment of the design for the bag;

FIG. 7 is a bottom view of the first embodiment of the design for the bag and also a bottom view of the second embodiment of the design for a bag;

FIG. 8 is a detail view of the pattern from the section indicated in FIG. 5;

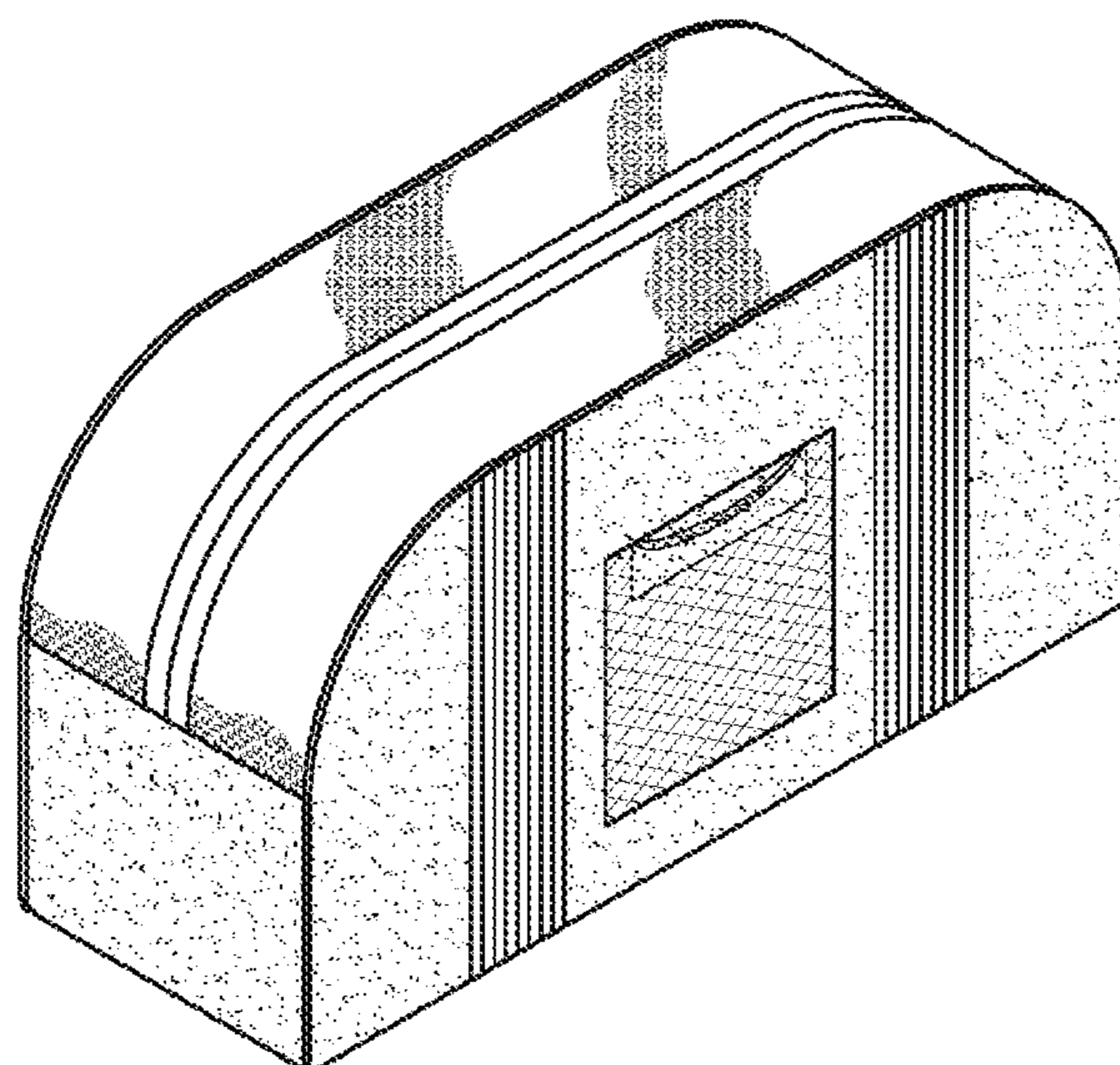
FIG. 9 is a right side perspective view of the second embodiment of the design for the bag;

FIG. 10 a left side view of the second embodiment of the design for the bag; and,

FIG. 11 is a top view of the second embodiment of the design for a bag.

It should be understood that the pattern of FIG. 3 is continuous on the surfaces of the individual sections of the bag on which it is depicted in FIGS. 1 and 2 and the pattern of FIG. 3 is not found elsewhere on the first embodiment of a design for a bag. The pattern depicted in FIG. 8 is fragmentarily shown in FIGS. 1, 5, and 6 for convenience of illustration. It should be understood that the pattern of FIG. 8 is continuous on the surfaces of the individual sections of the bag on which it is depicted in FIGS. 1, 5, and 6, and the pattern of FIG. 8 is not found elsewhere on the first embodiment of a design for a bag.

**1 Claim, 5 Drawing Sheets**



(58) **Field of Classification Search**

USPC ..... D3/289, 295, 900, 901, 905, 301, 232;  
D7/607

CPC ..... B25H 3/003; B25H 3/02; A45C 11/00;  
A45C 2013/025; A45C 11/38; A45C  
11/34; A45C 5/005; A45C 2003/008;  
A45C 3/00

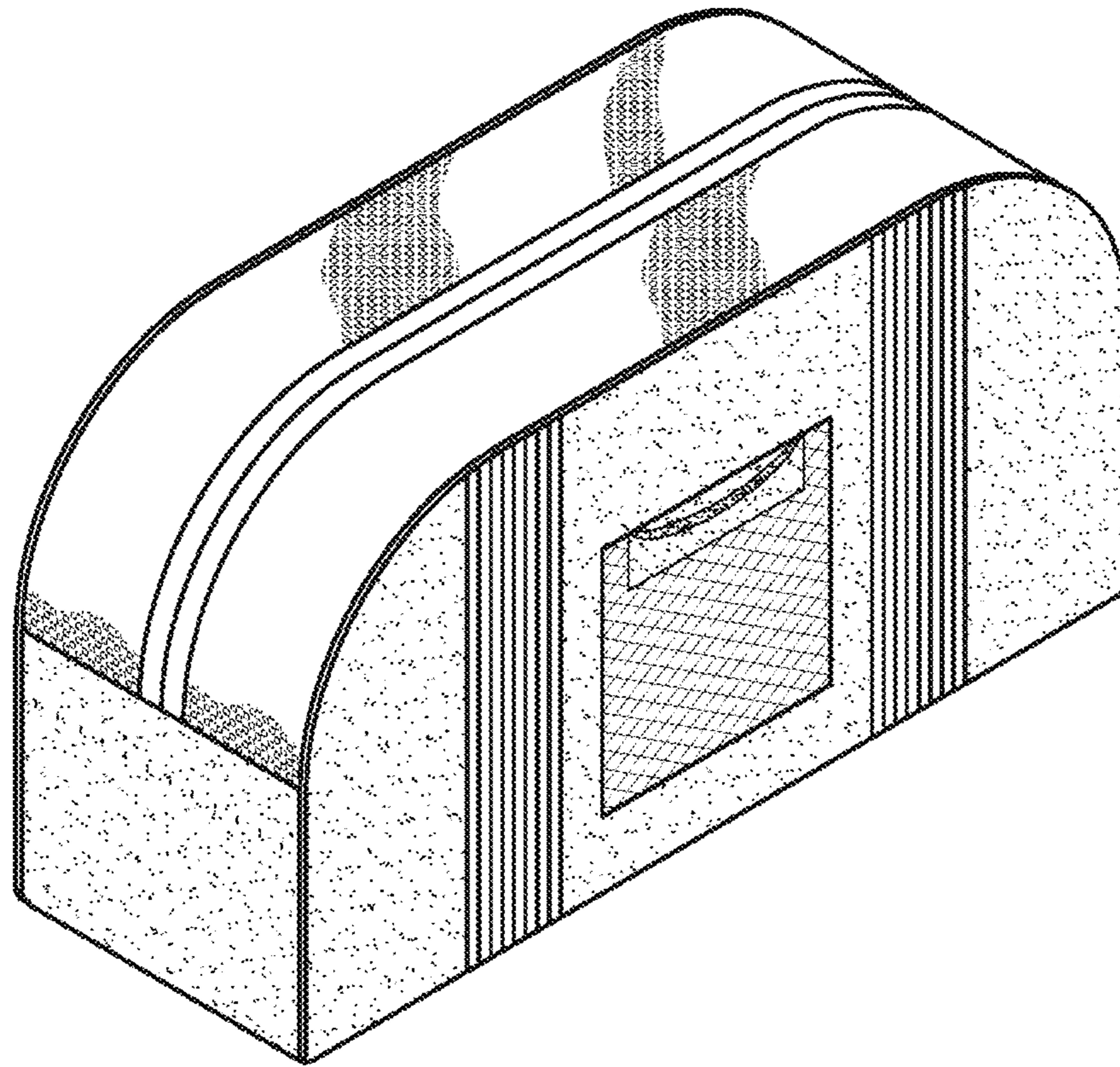
See application file for complete search history.

(56) **References Cited**

U.S. PATENT DOCUMENTS

D672,951 S \* 12/2012 Boone ..... D3/245  
D723,267 S \* 3/2015 Basha ..... D3/232  
D811,735 S \* 3/2018 Molnar ..... D3/233  
D816,984 S \* 5/2018 Jusic ..... D3/205  
D819,956 S \* 6/2018 Woodard ..... D3/203.6  
D840,675 S \* 2/2019 Peris ..... D3/203.1  
D852,491 S \* 7/2019 Wantland ..... D3/205  
D853,717 S \* 7/2019 Shuai ..... D3/232  
D858,988 S \* 9/2019 Dumas ..... D3/289  
2019/0133277 A1 \* 5/2019 Hackett ..... A45C 13/02

\* cited by examiner



**FIG. 1**

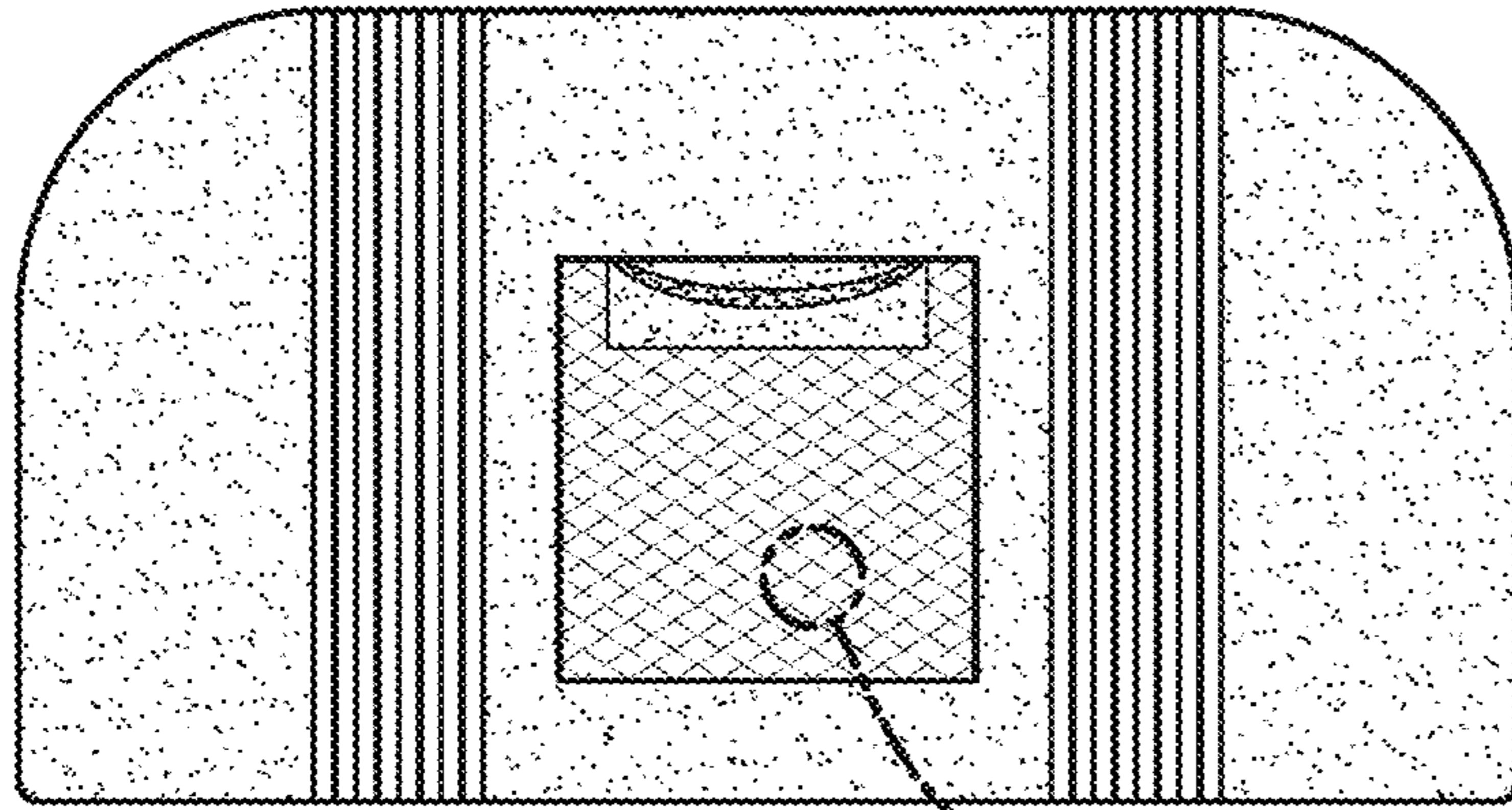


FIG. 2

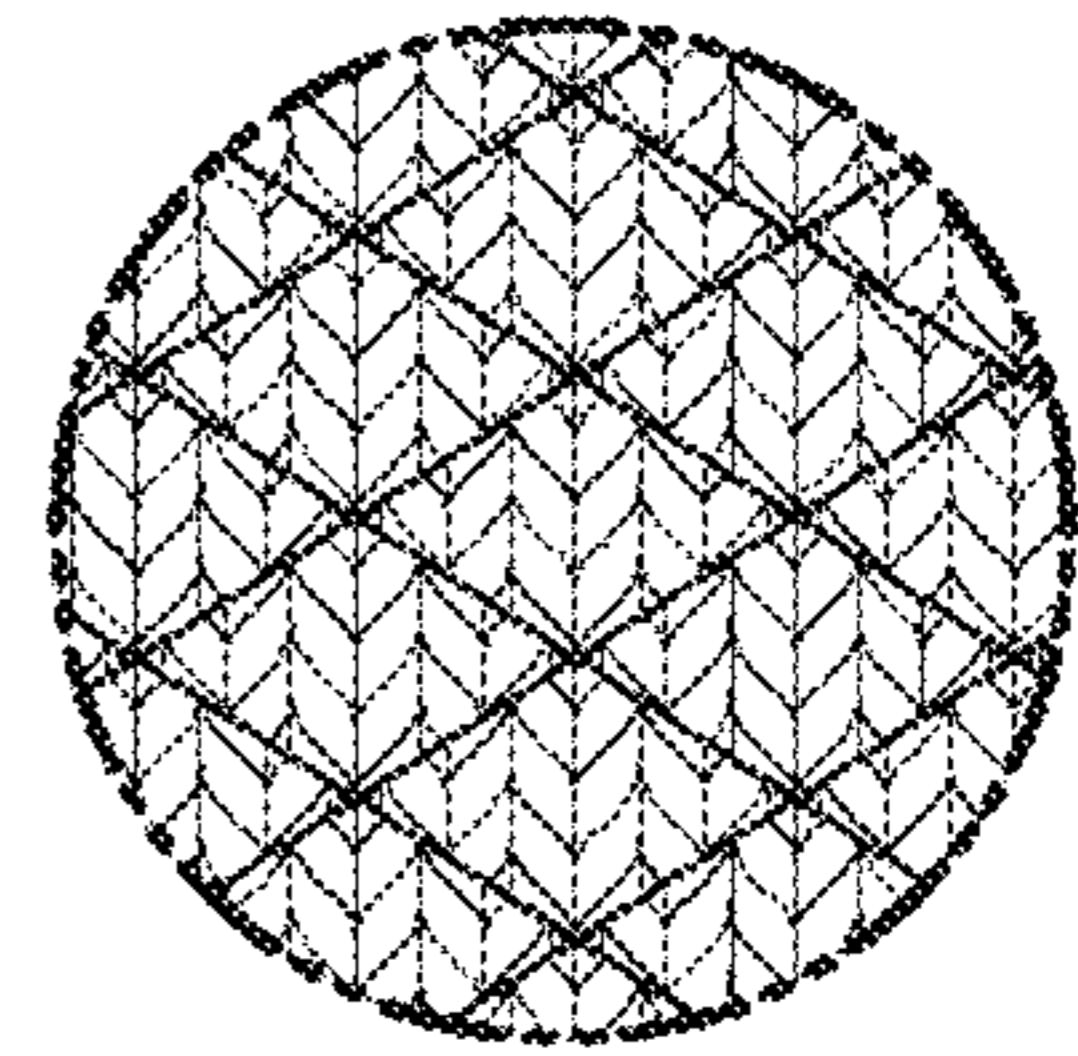


FIG. 3

FIG. 3

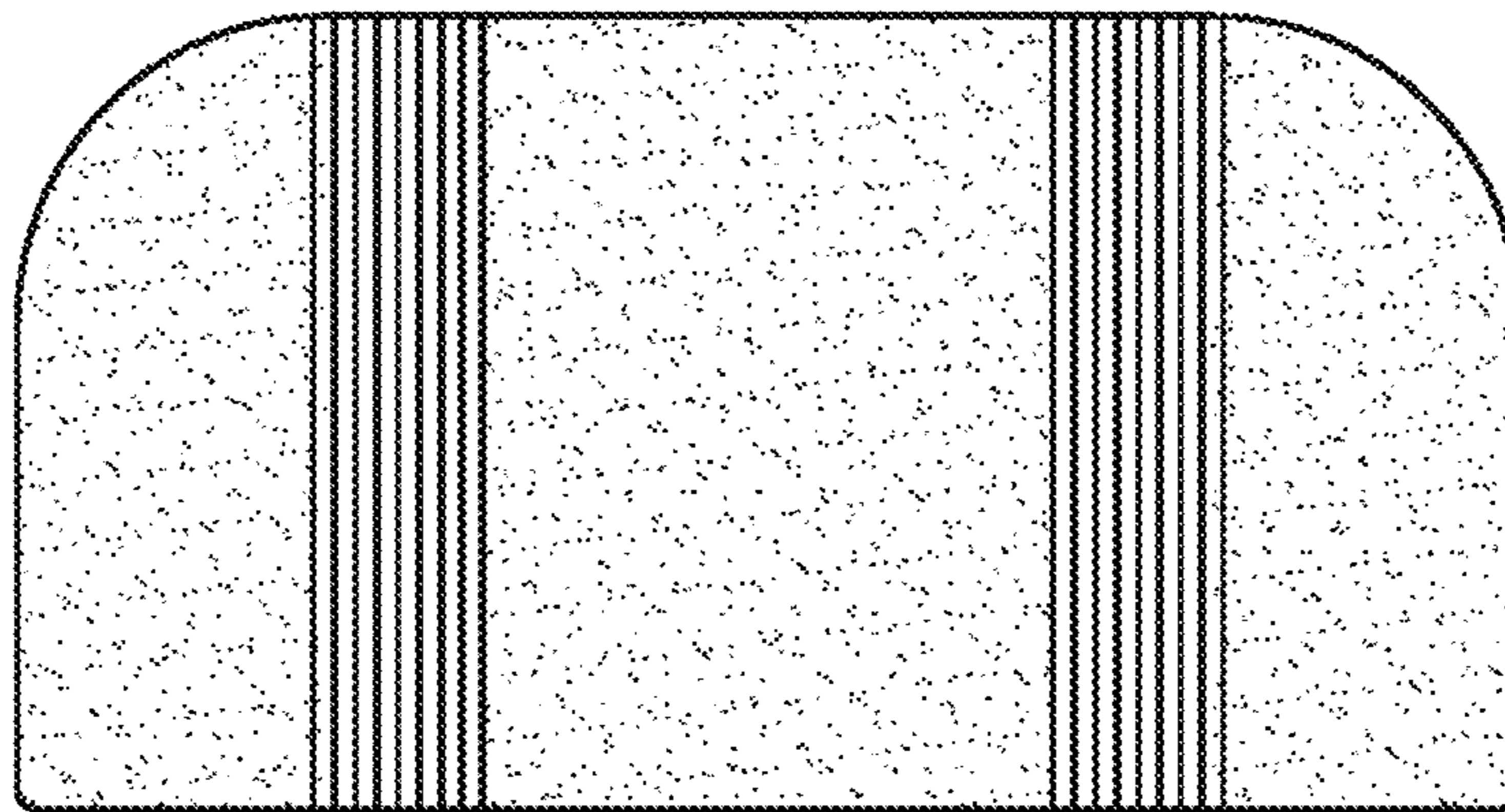
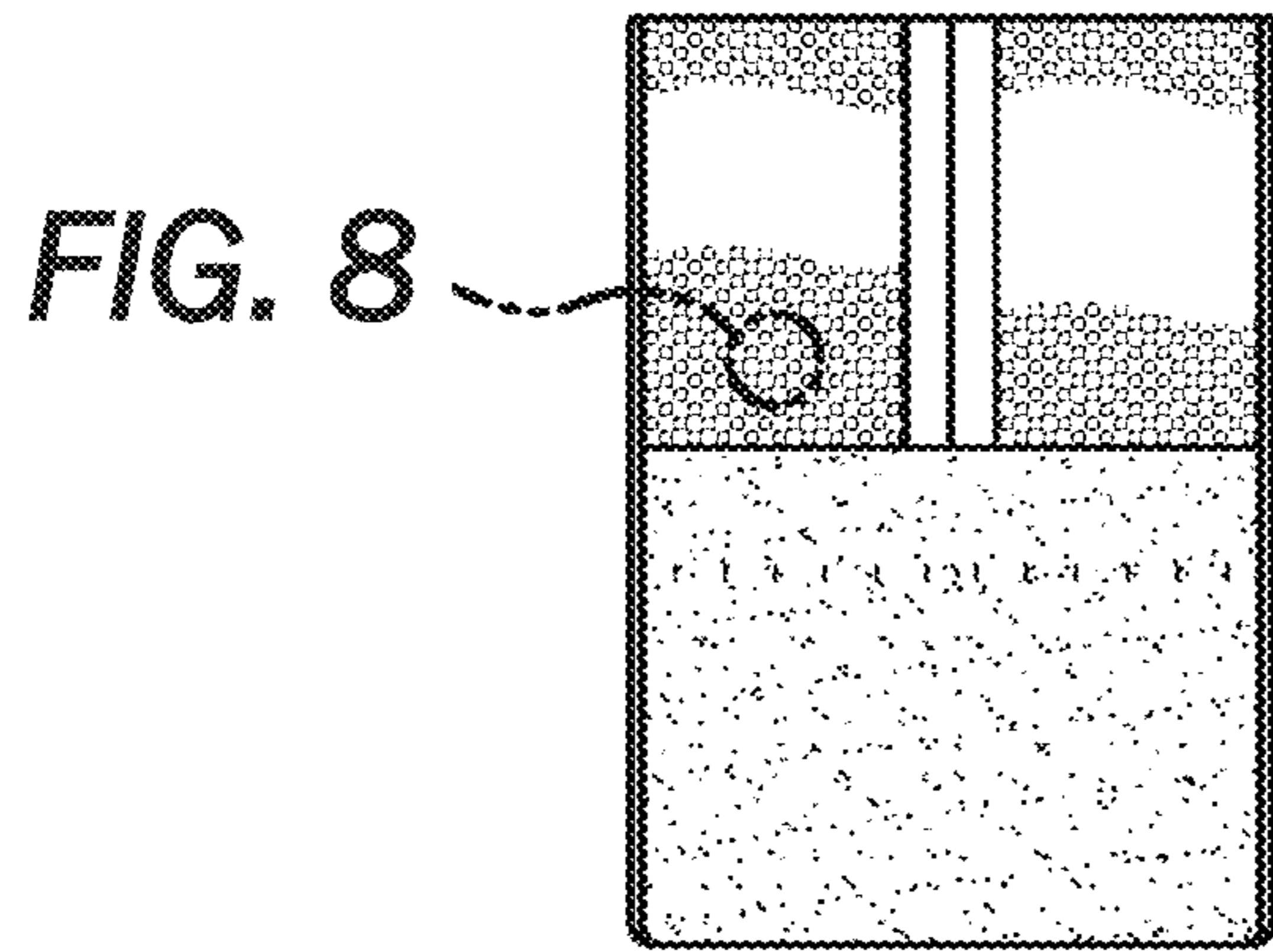
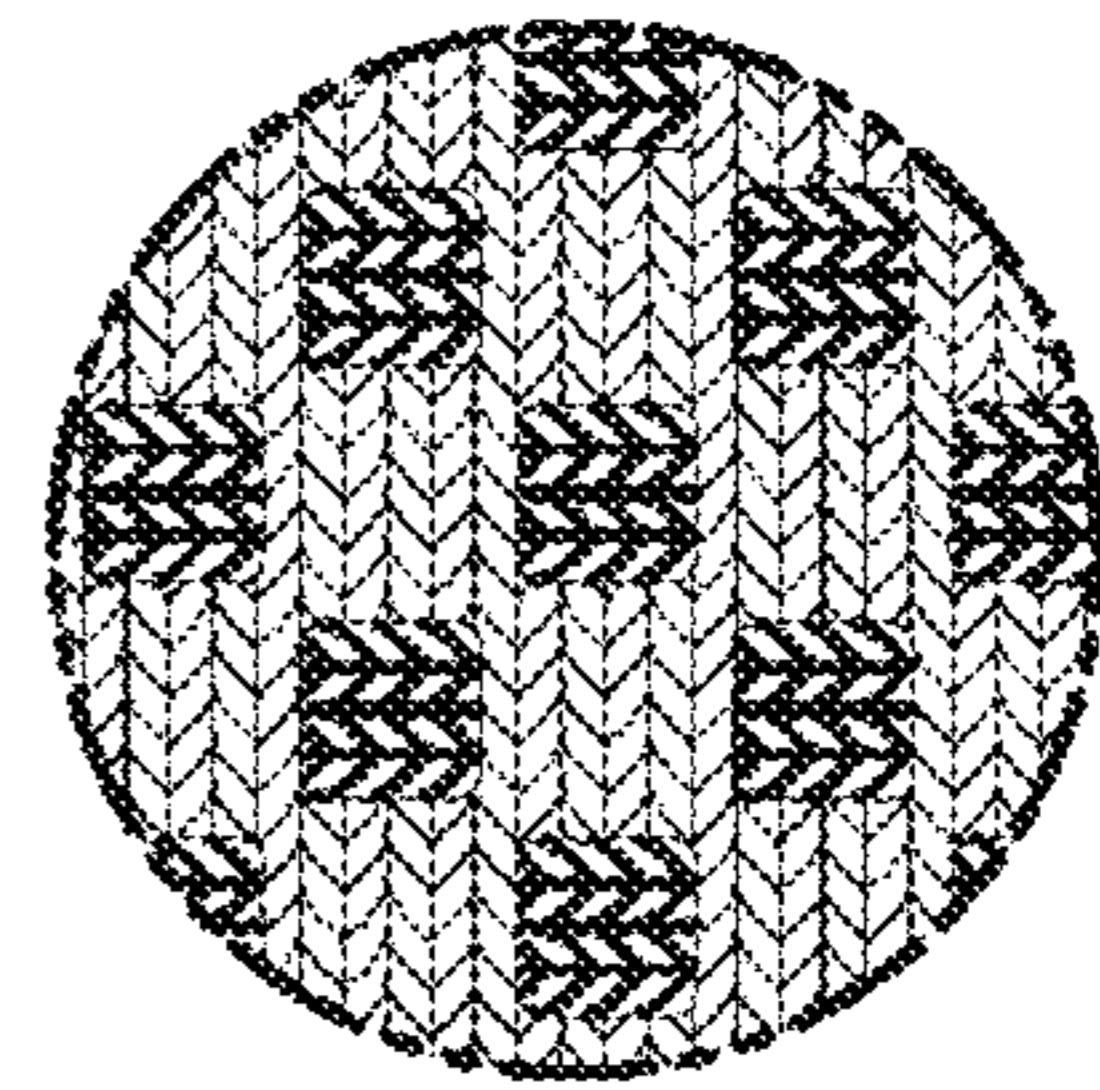


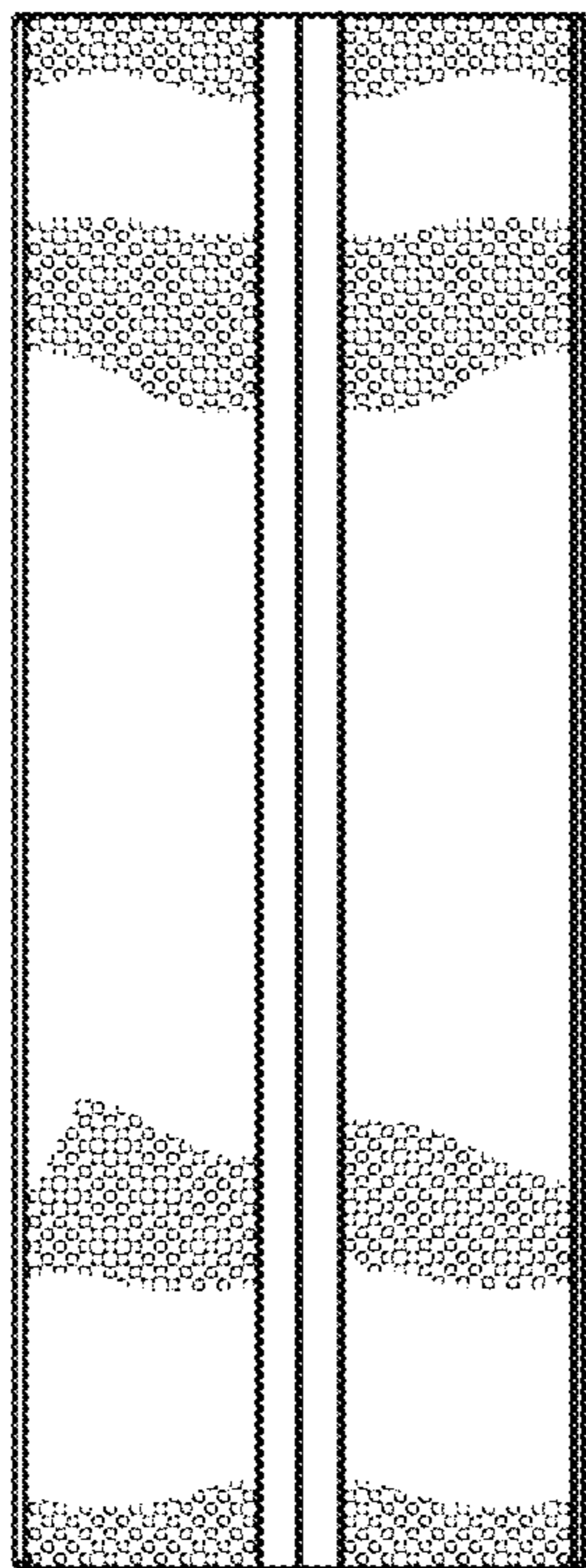
FIG. 4



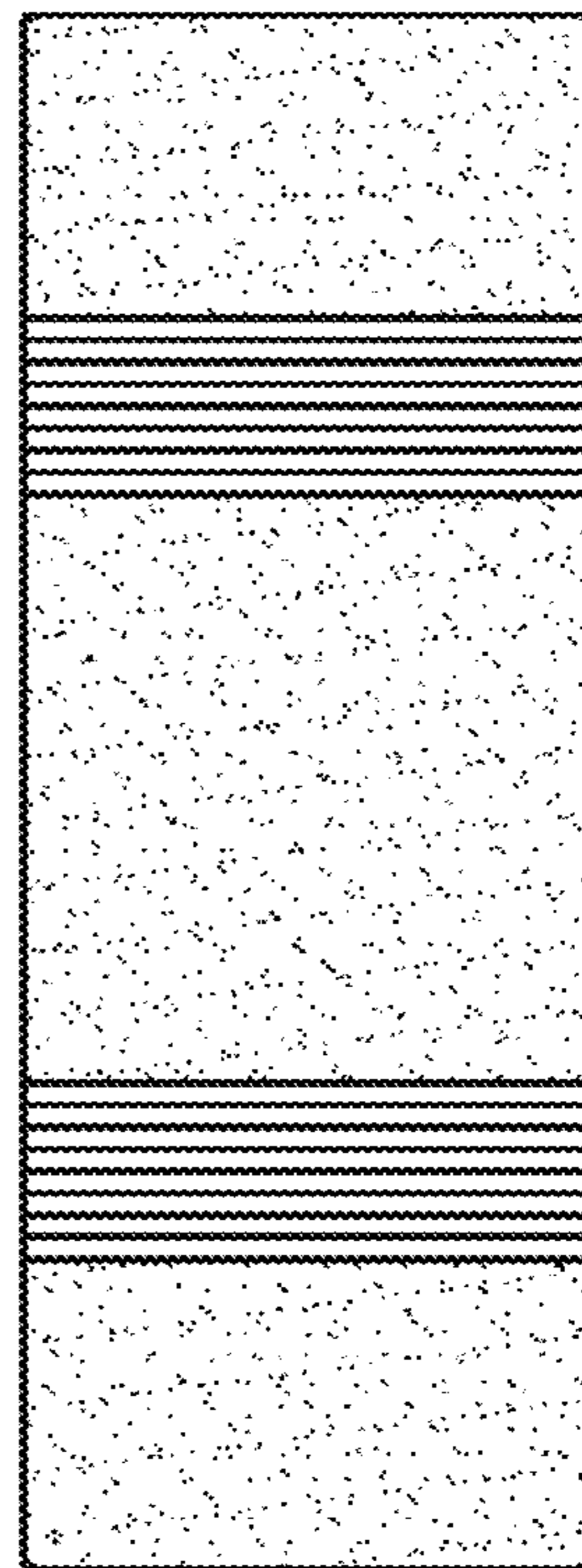
*FIG. 5*



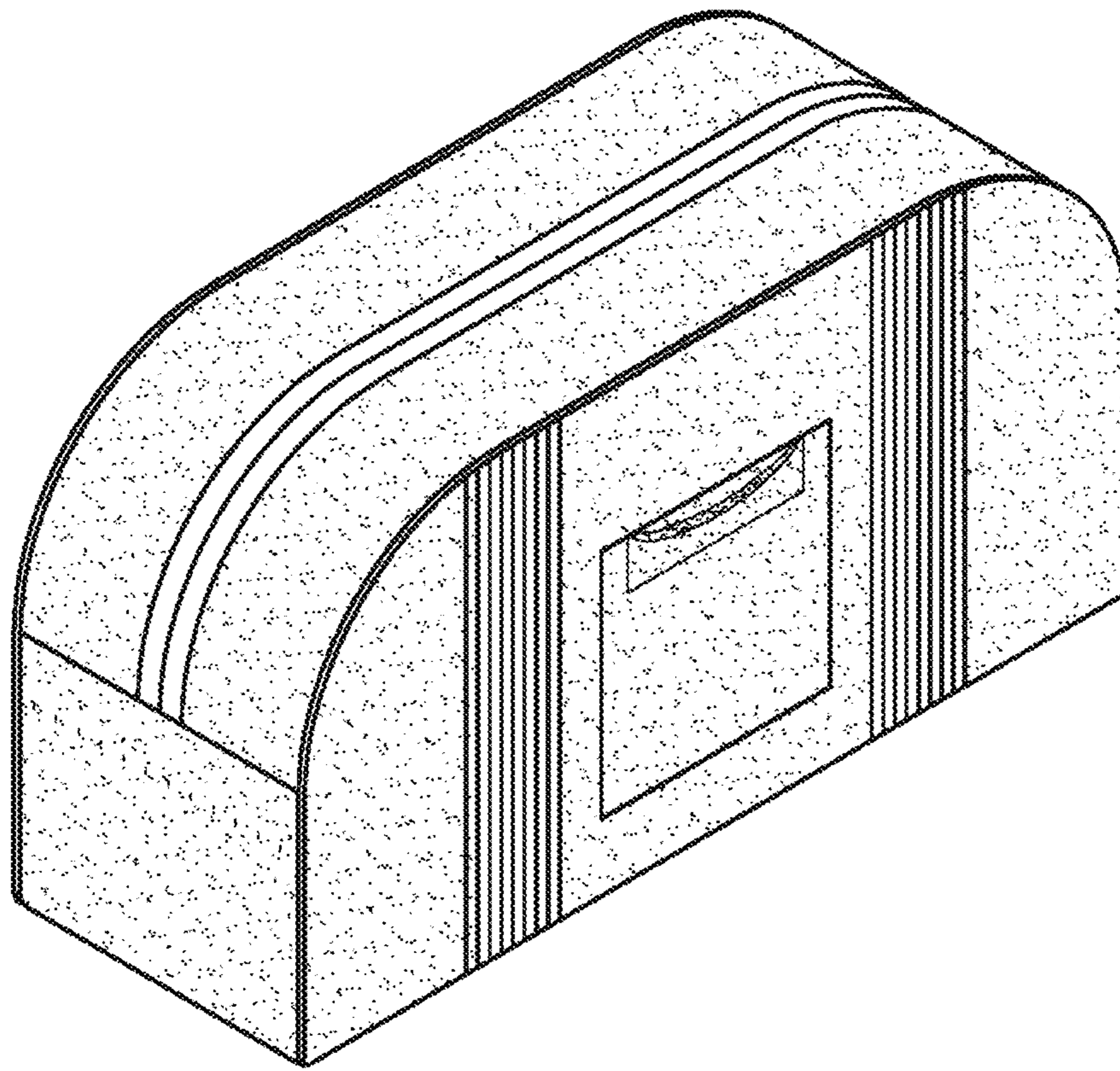
*FIG. 8*



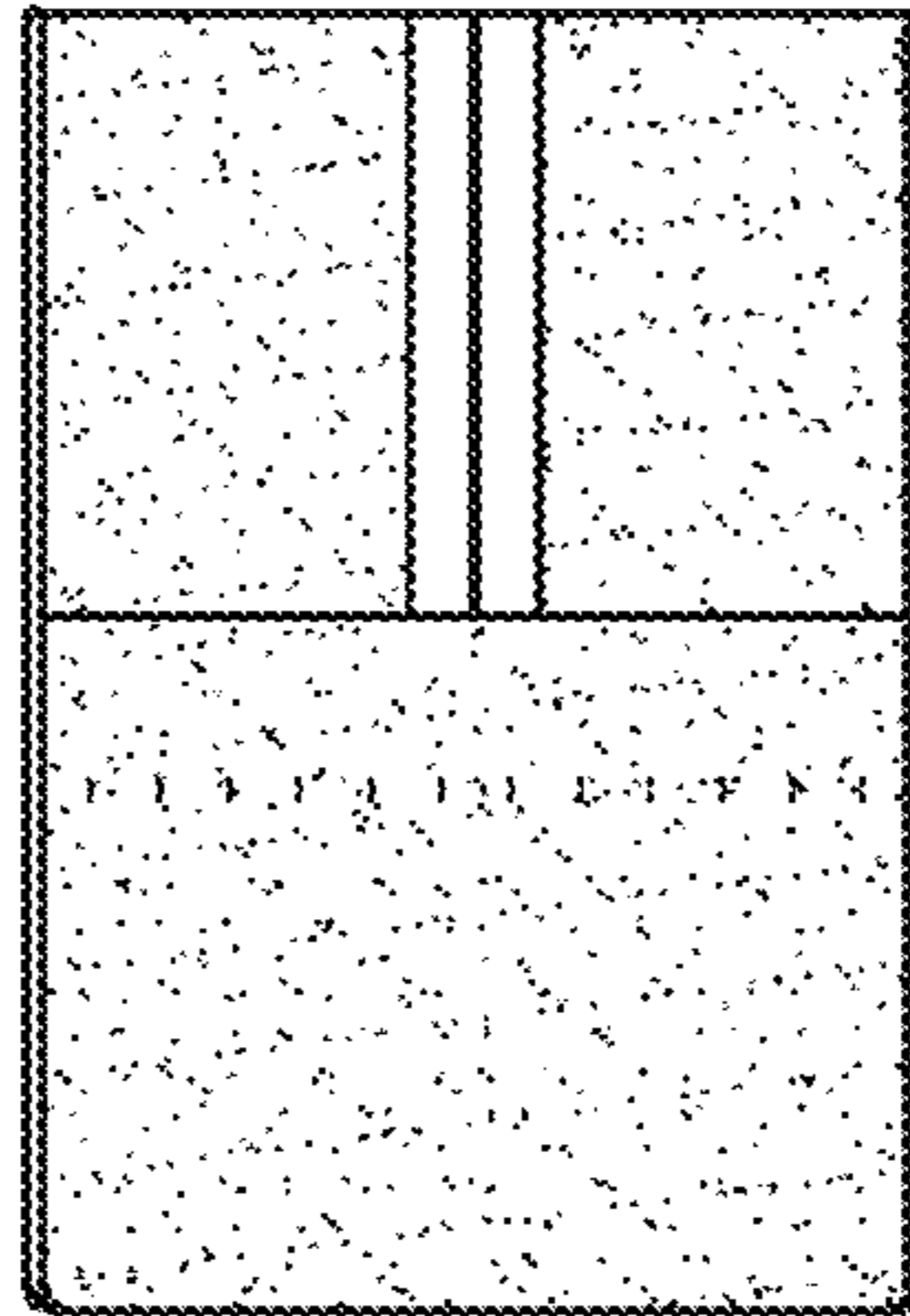
*FIG. 6*



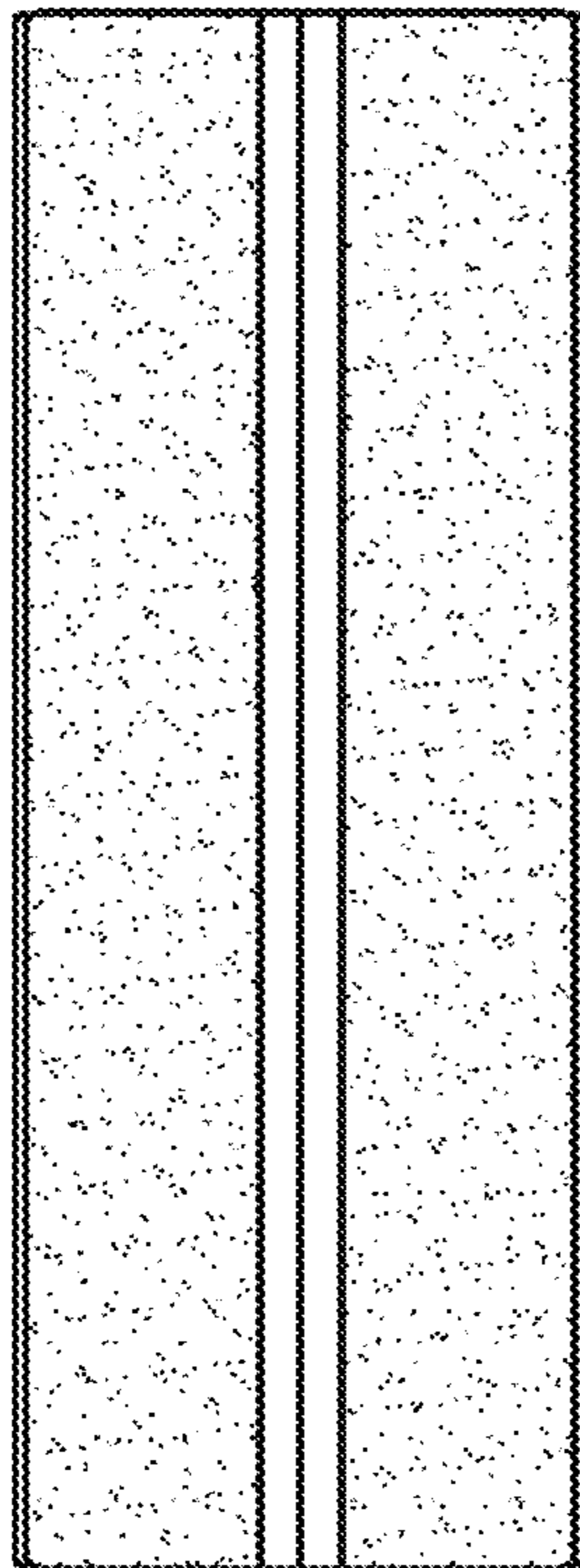
*FIG. 7*



**FIG. 9**



*FIG. 10*



*FIG. 11*