



US00D880856S

(12) **United States Design Patent**
Vollmer et al.

(10) **Patent No.:** **US D880,856 S**
(45) **Date of Patent:** **** Apr. 14, 2020**

(54) **COMBINED PARTIAL END WIDTH RAMP AND BANDED CONTAINER**

(71) Applicants: **Eric Vollmer**, Springdale, AR (US);
Christopher DeMoss, Springdale, AR (US)

(72) Inventors: **Eric Vollmer**, Springdale, AR (US);
Christopher DeMoss, Springdale, AR (US)

(**) Term: **15 Years**

(21) Appl. No.: **29/648,892**

(22) Filed: **May 24, 2018**

Related U.S. Application Data

(63) Continuation-in-part of application No. 29/551,142, filed on Jan. 11, 2016, now abandoned.

(51) **LOC (12) Cl.** **03-01**

(52) **U.S. Cl.**
USPC **D3/272; D3/274**

(58) **Field of Classification Search**

USPC D3/272, 273, 201, 302, 274; D25/33, 34; D34/38; D23/202

CPC B65D 88/26; B65D 88/52; B65D 88/522; B65D 88/528; B65D 88/00; B65D 88/542; B65D 9/12; B65D 11/1873; A47B 47/042

See application file for complete search history.

(56) **References Cited**

U.S. PATENT DOCUMENTS

D213,156 S * 1/1969 Detangler D12/14
4,854,460 A * 8/1989 Josephs B65D 88/121
220/1.5

D336,158 S * 6/1993 Bunger D3/201
D370,780 S * 6/1996 Bunger D3/272
D546,023 S * 7/2007 Hawes D34/28
7,310,843 B1 * 12/2007 Mitchell B65D 88/542
14/69.5
D764,796 S * 8/2016 Urrea D3/272
D802,301 S * 11/2017 Vollmer D3/272
D802,302 S * 11/2017 Vollmer D3/272
D837,513 S * 1/2019 Makela D3/273
D844,830 S * 4/2019 Lucht D25/33
2003/0150769 A1 * 8/2003 Lau B65D 88/005
206/600

* cited by examiner

Primary Examiner — April Rivas

(74) *Attorney, Agent, or Firm* — Keisling + Pieper PLC;
David B. Pieper

(57) **CLAIM**

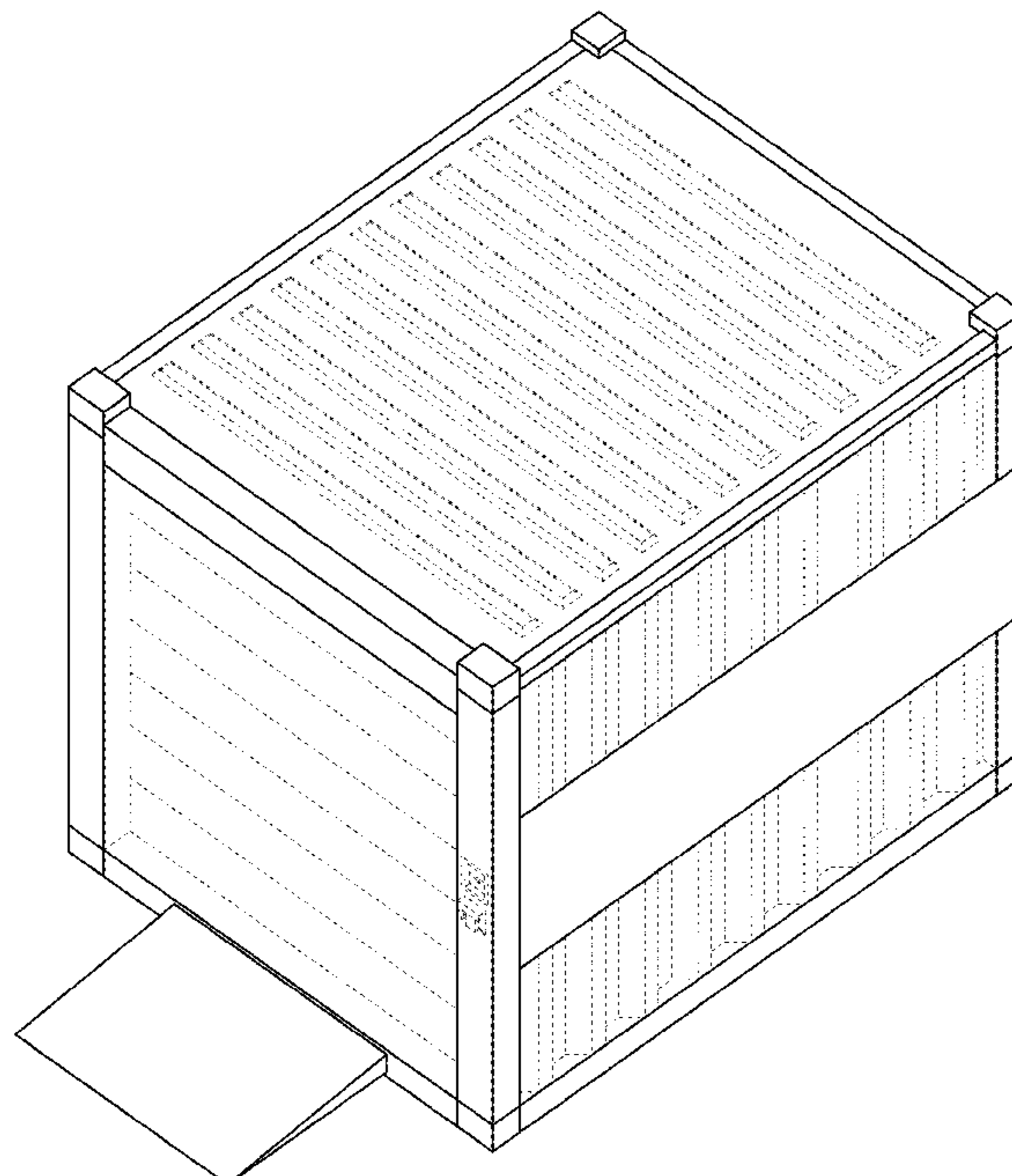
The ornamental design for a combined partial end width ramp and banded container, as shown and described.

DESCRIPTION

FIG. 1 is a perspective view of a combined partial end width ramp and banded container showing my new design; FIG. 2 is another perspective view thereof; FIG. 3 is a top view thereof; FIG. 4 is a front view thereof; and, FIG. 5 is a right side view thereof; FIG. 6 is a back view thereof; FIG. 7 is a right side view thereof; and, FIG. 8 is a bottom view thereof.

The broken lines illustrate portions of the combined partial end width ramp and banded container and form no part of the claimed design.

1 Claim, 8 Drawing Sheets



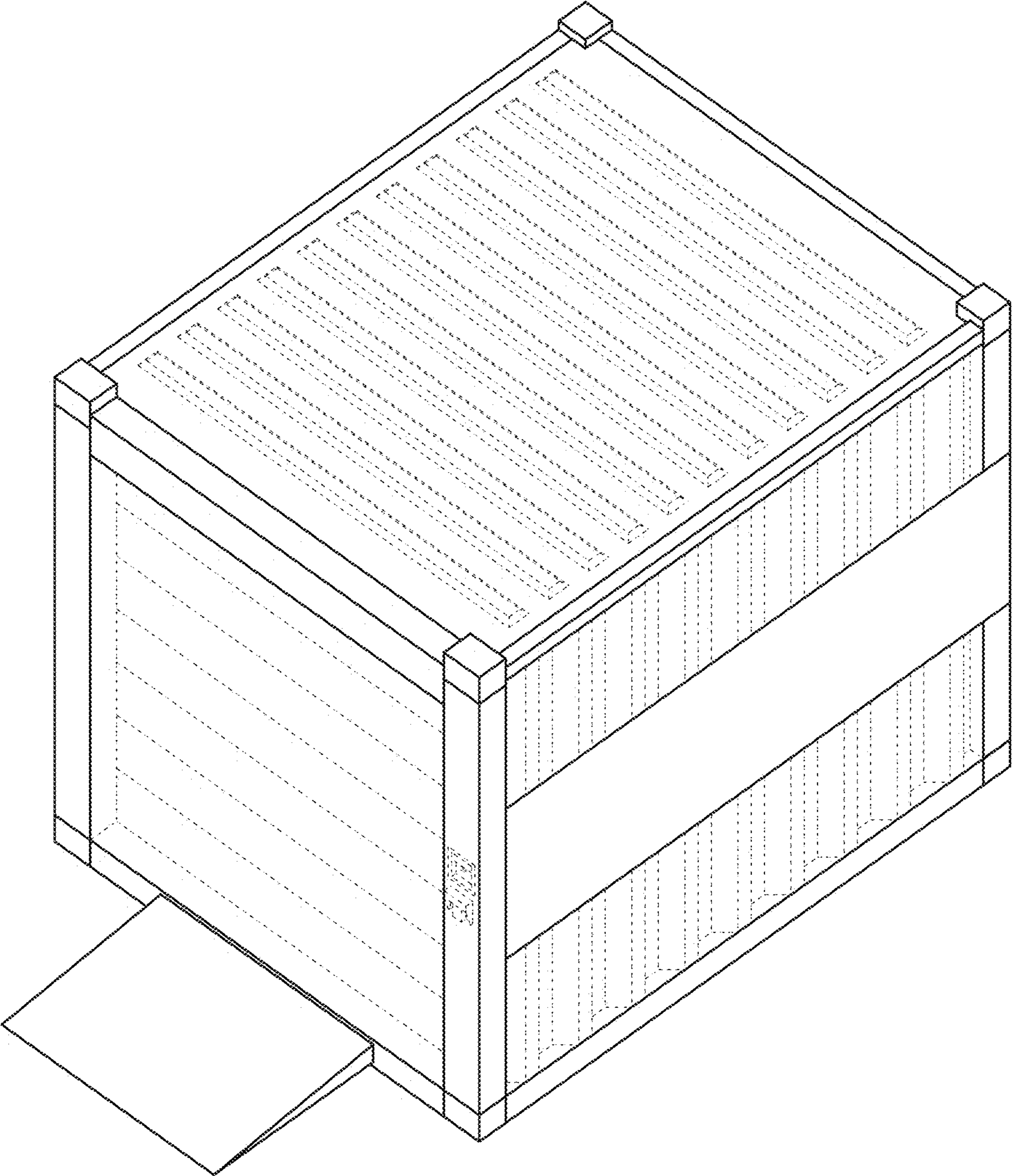


FIG. 1

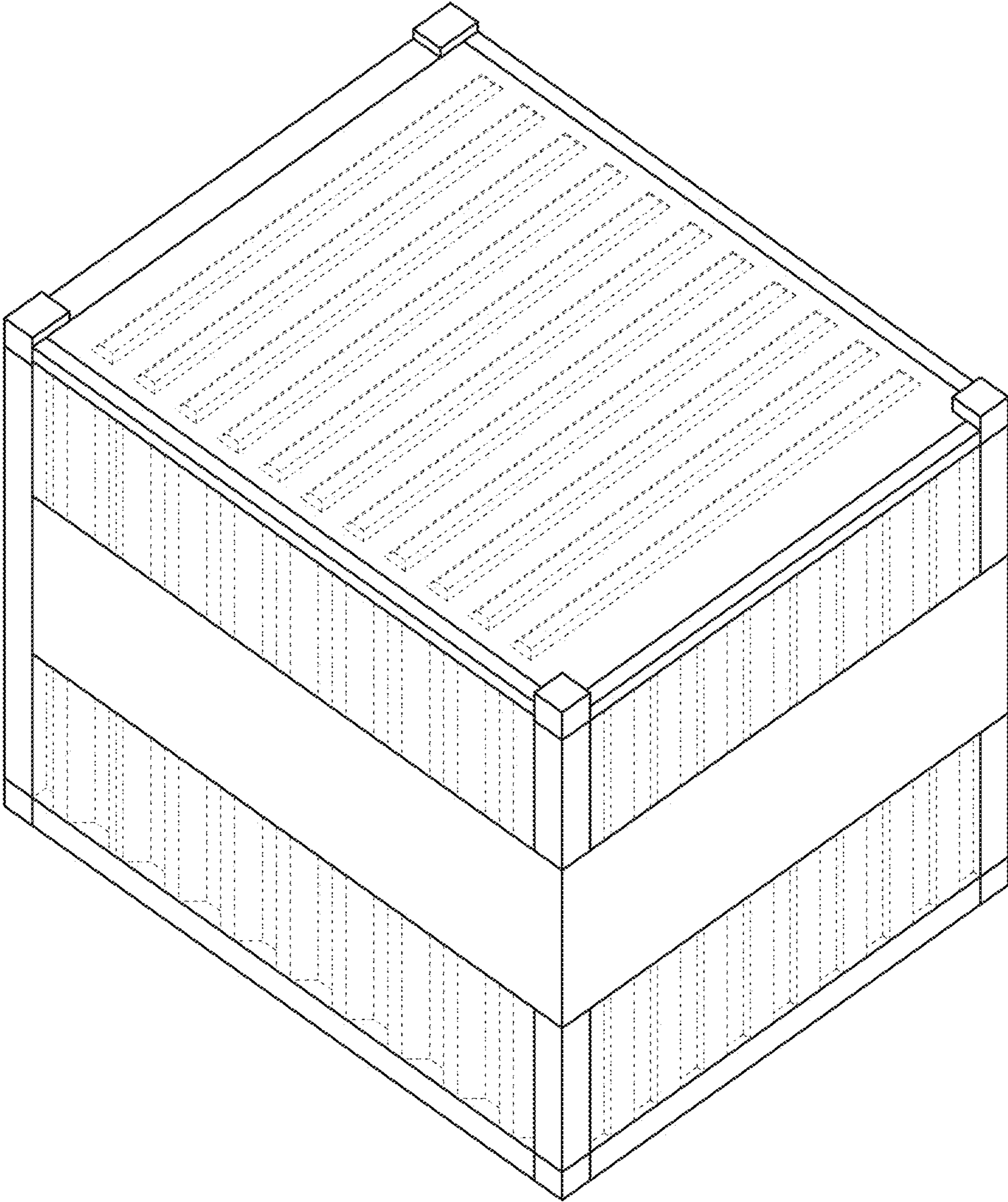


FIG. 2

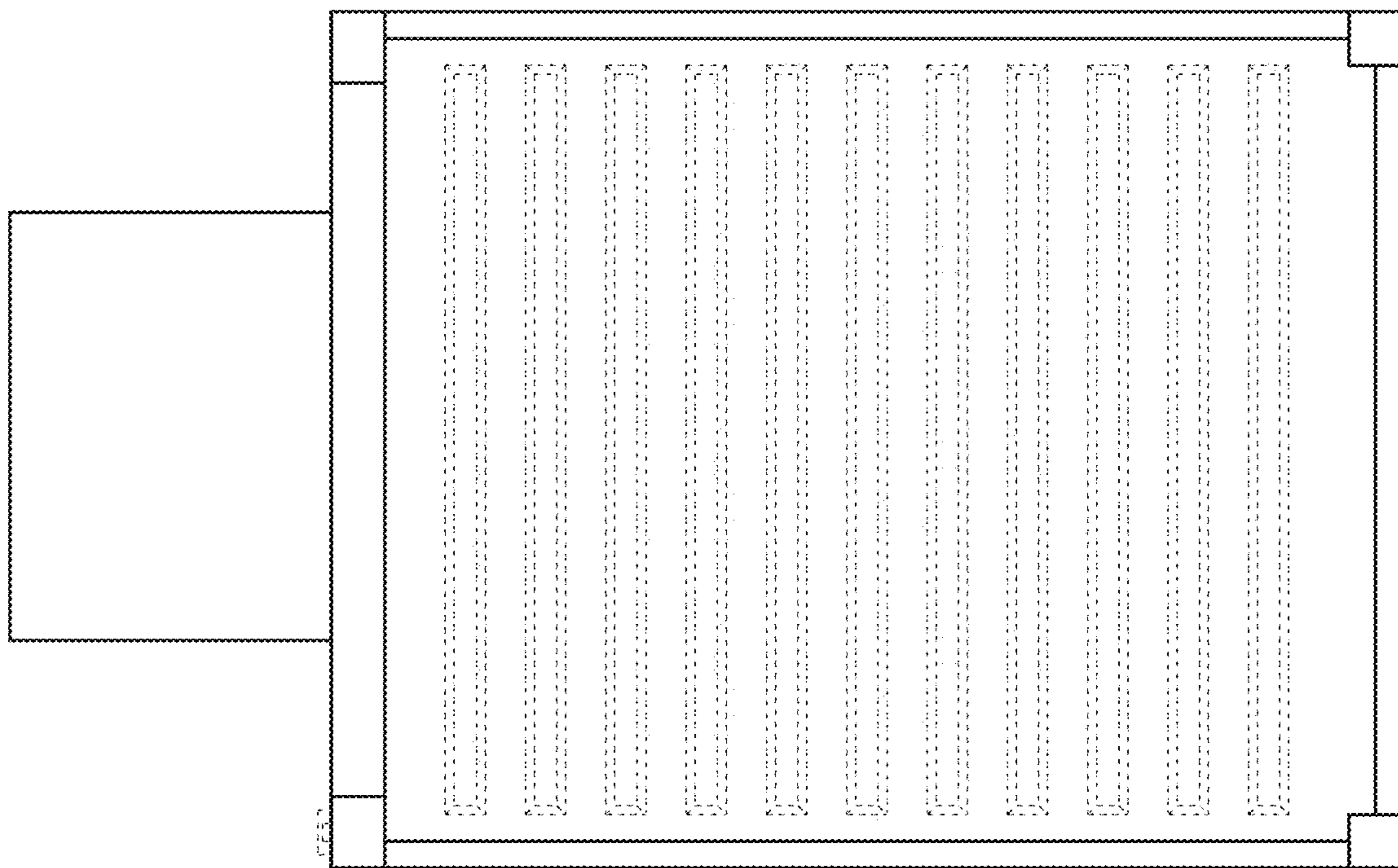


FIG. 3

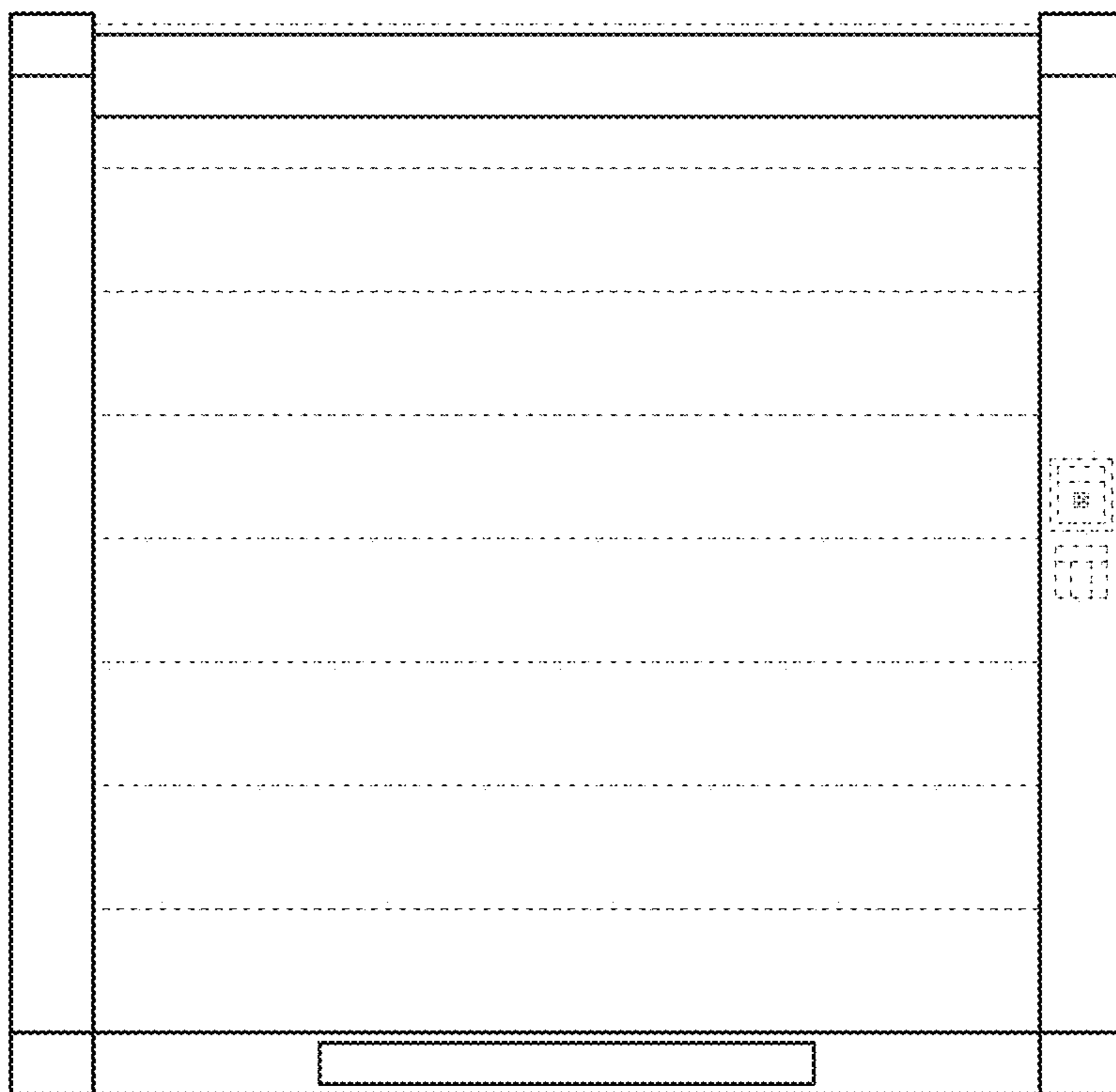


FIG. 4

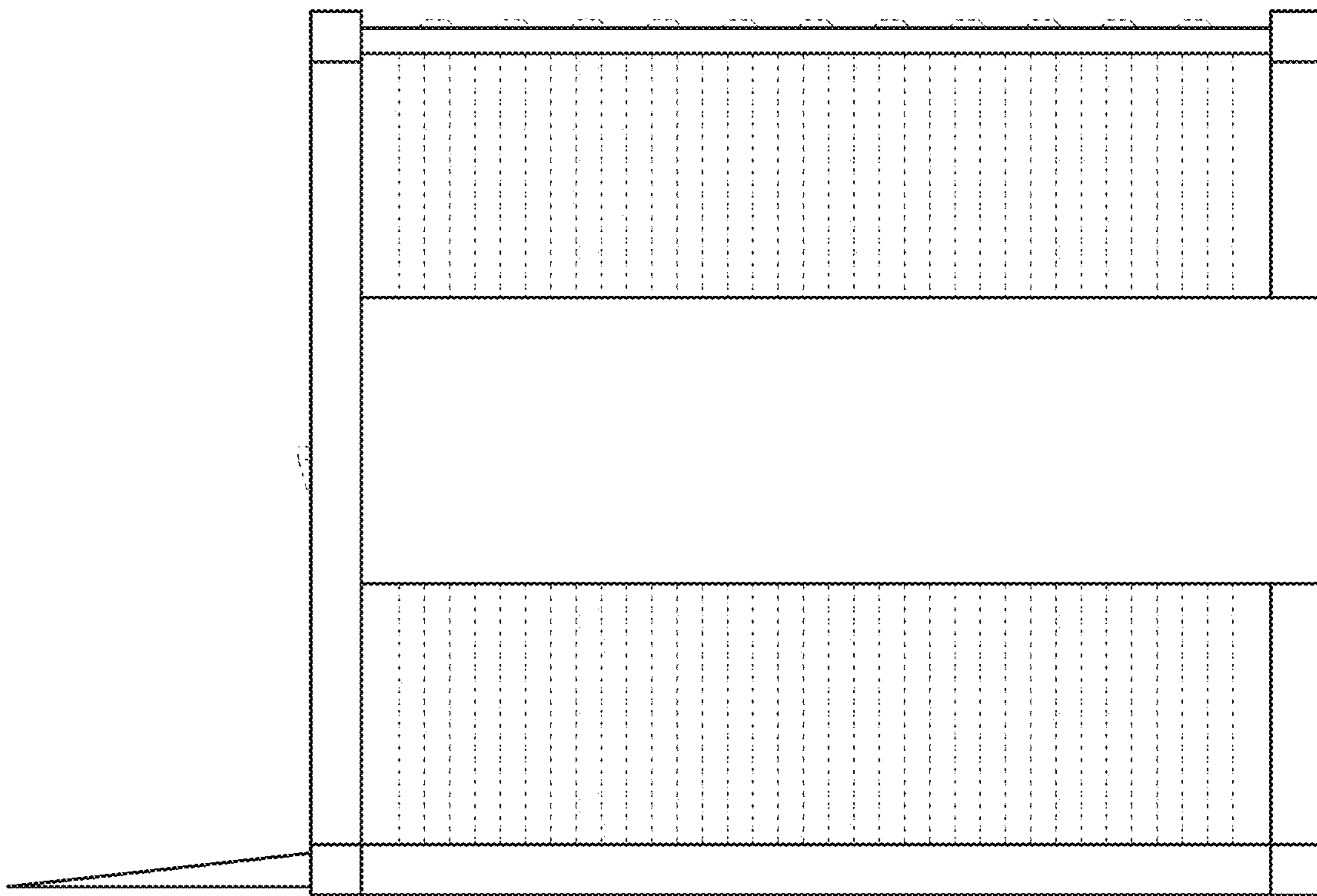


FIG. 5

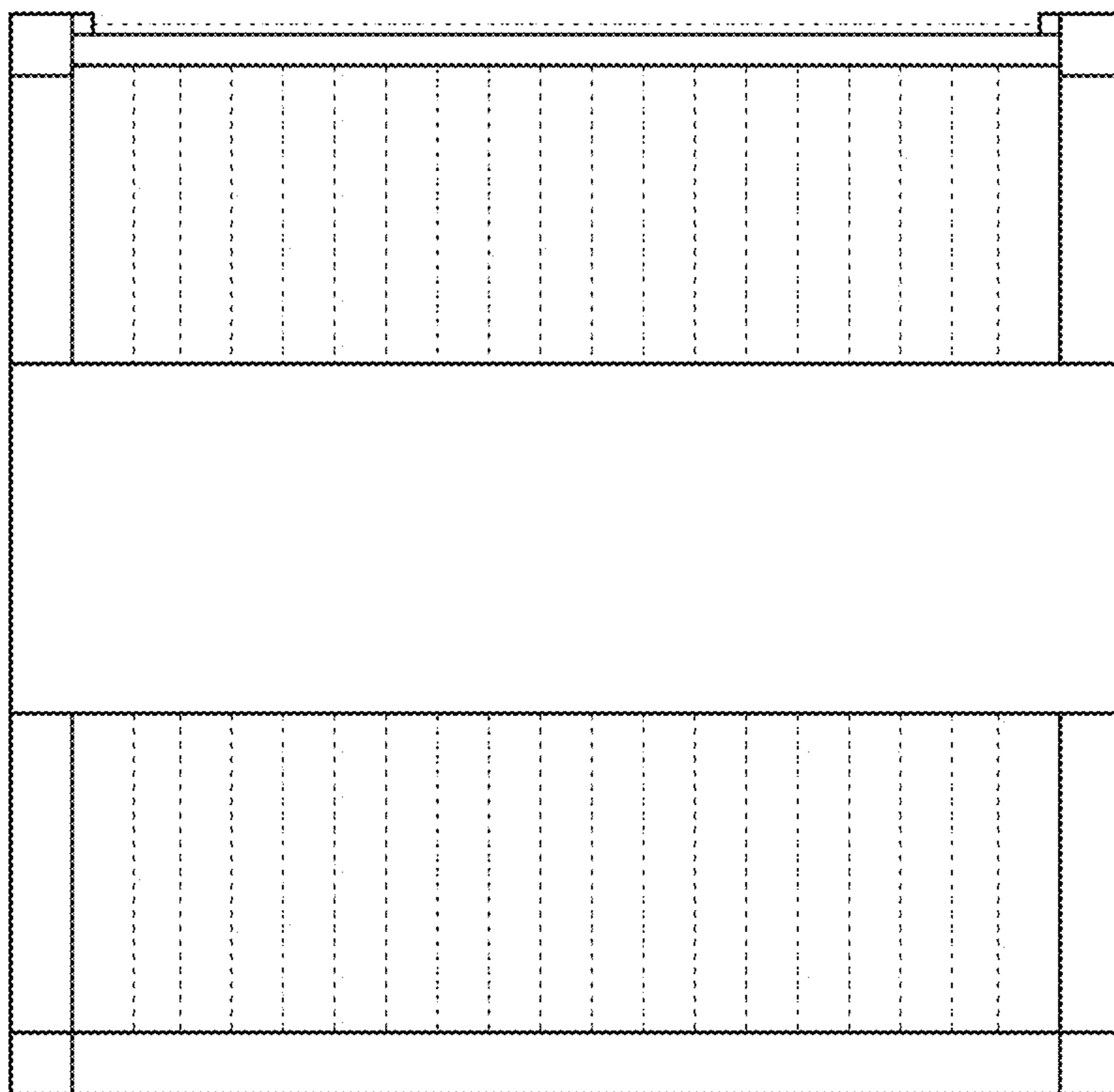


FIG. 6

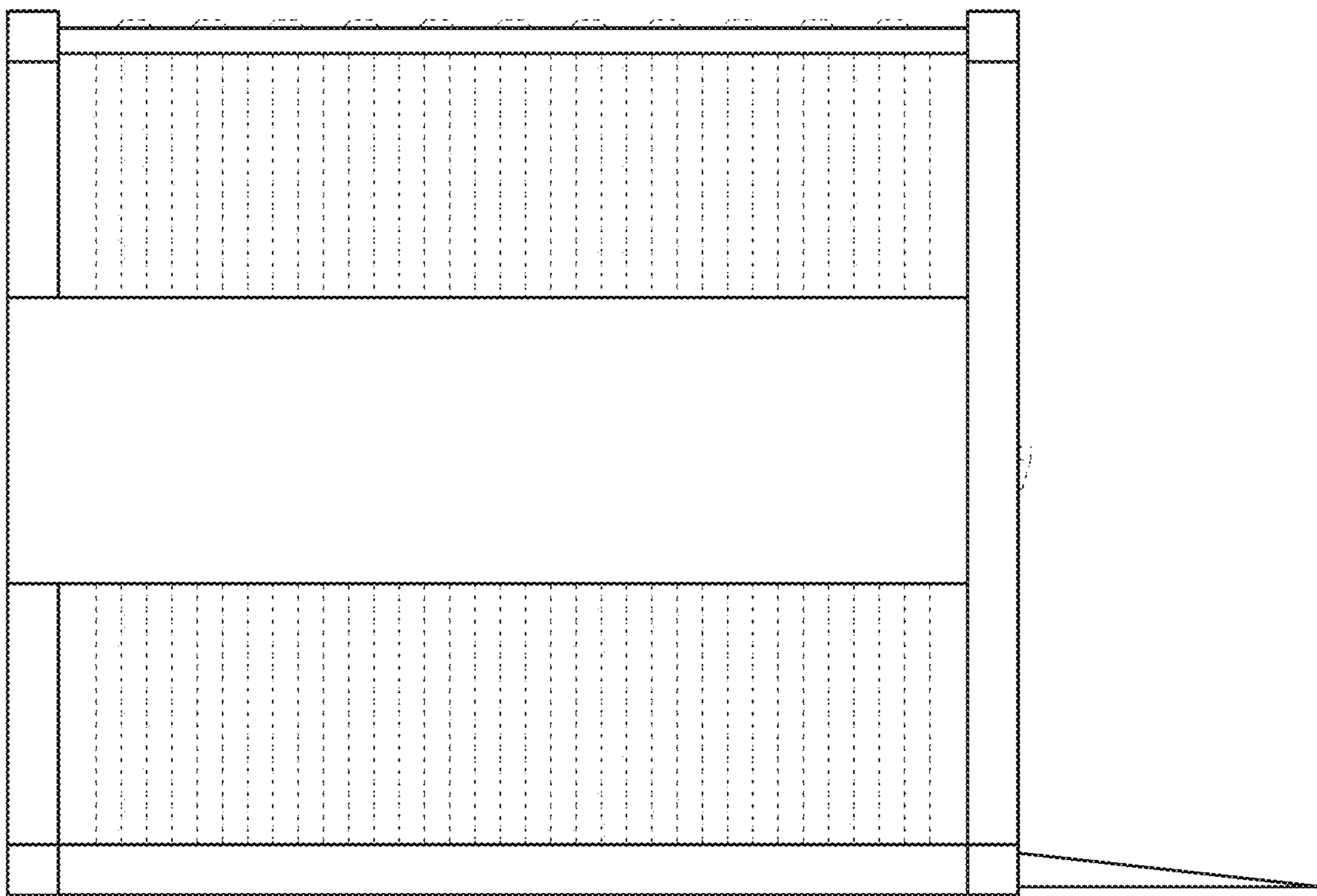


FIG. 7

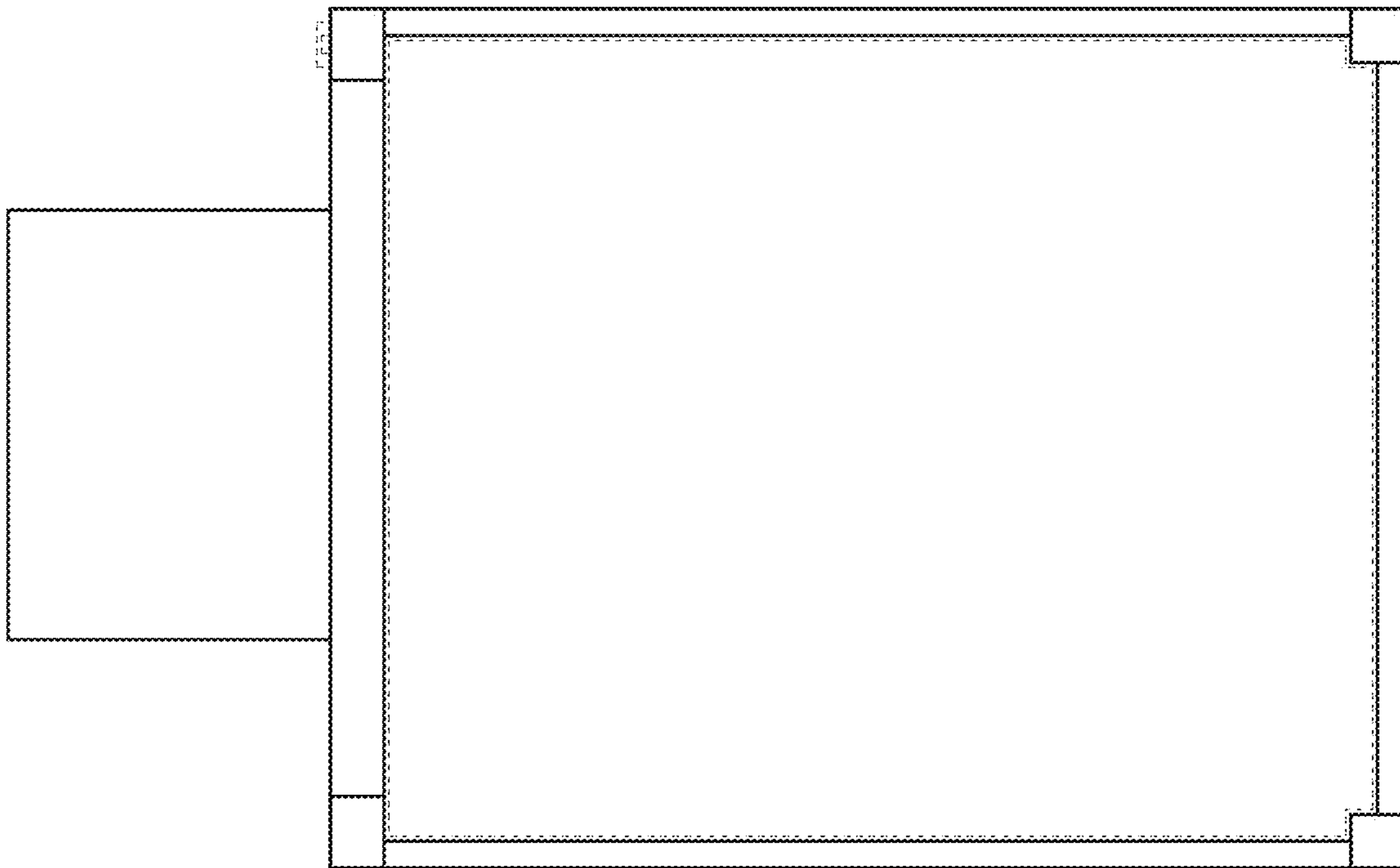


FIG. 8