



US00D880855S

(12) **United States Design Patent** (10) **Patent No.:** **US D880,855 S**
Lu (45) **Date of Patent:** **** Apr. 14, 2020**

(54) **COMBINED MOBILEPHONE CASE AND CARD CASE**

(71) Applicant: **Shenzhen Cainiao Leather Products Co., Ltd.**, Shenzhen, Guangdong (CN)

(72) Inventor: **Shaofeng Lu**, Guangdong (CN)

(**) Term: **15 Years**

(21) Appl. No.: **29/709,588**

(22) Filed: **Oct. 15, 2019**

(51) **LOC (12) Cl.** **03-01**

(52) **U.S. Cl.**
USPC **D3/249**

(58) **Field of Classification Search**
USPC D3/247, 249–253
CPC A45C 11/18; A45C 11/182; A45C 11/00;
A45C 1/06; A45C 3/08; A45C 13/02;
A45C 2011/002

See application file for complete search history.

(56) **References Cited**

U.S. PATENT DOCUMENTS

| | | | | |
|--------------|---------|--------|-------|---------|
| D367,956 S * | 3/1996 | Peters | | D3/232 |
| D446,930 S * | 8/2001 | Bodony | | D3/233 |
| D467,071 S * | 12/2002 | Bodony | | D3/233 |
| D760,708 S | 7/2016 | Hirst | | |
| D839,859 S * | 2/2019 | Zhang | | D14/250 |
| D849,734 S * | 5/2019 | Wu | | D14/250 |

* cited by examiner

Primary Examiner — Holly H Baynham

(74) *Attorney, Agent, or Firm* — Jie Yang; ZanIP

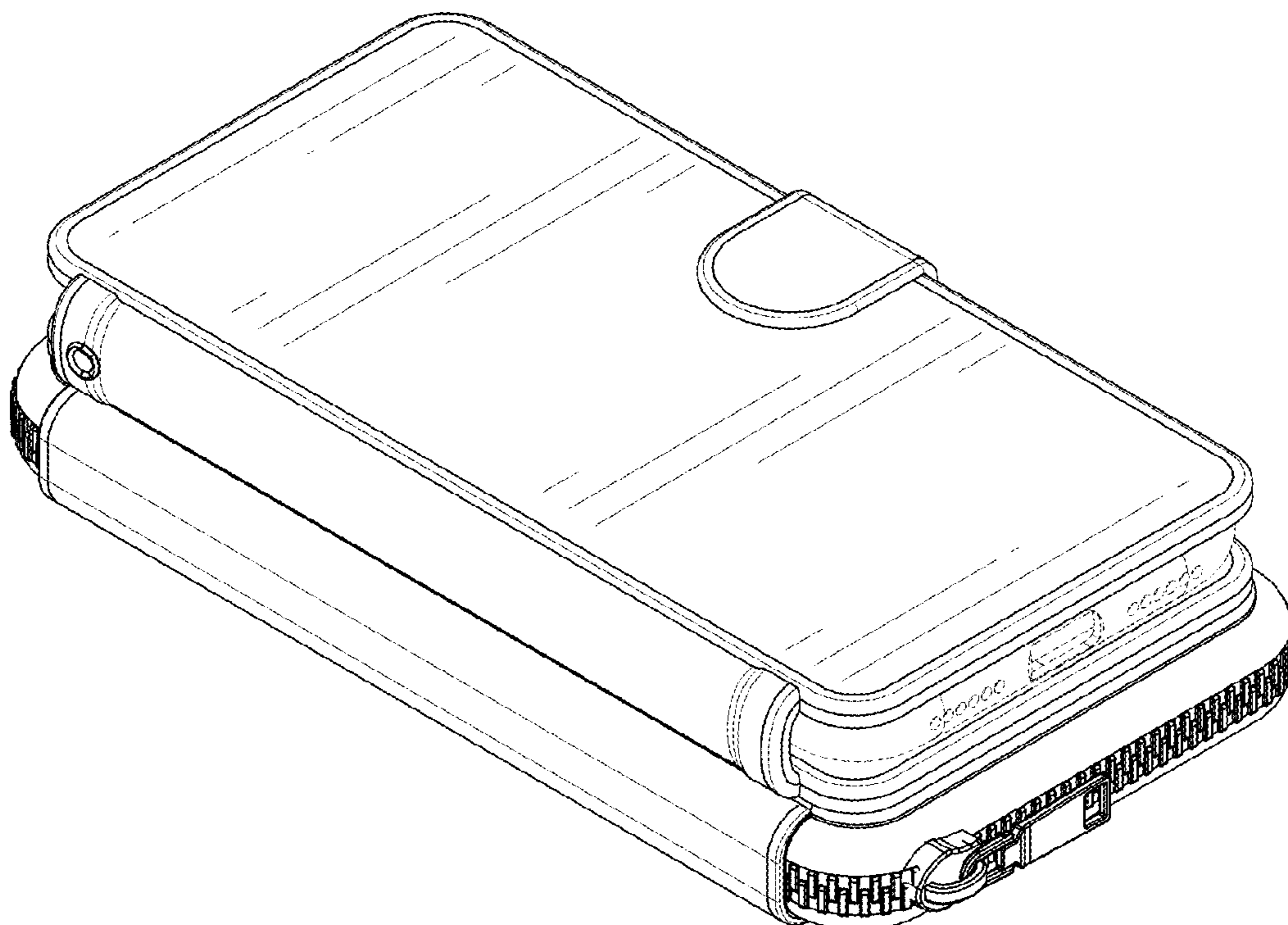
(57) **CLAIM**

The ornamental design for a combined mobilephone case and card case, as shown and described.

DESCRIPTION

FIG. 1 is a front perspective view of a combined mobilephone case and card case showing my new design; FIG. 2 is a front perspective view of a card case thereof; FIG. 3 is a rear perspective view thereof; FIG. 4 is a front elevational view thereof; FIG. 5 is a rear elevational view thereof; FIG. 6 is a left side elevational view thereof; FIG. 7 is a right side elevational view thereof; FIG. 8 is a top plan view thereof; FIG. 9 is a bottom plan view thereof; FIG. 10 is a front perspective view of the mobilephone case thereof; FIG. 11 is a rear perspective view thereof; FIG. 12 is a front elevational view thereof; FIG. 13 is a rear elevational view thereof; FIG. 14 is a left side elevational view thereof; FIG. 15 is a right side elevational view thereof; FIG. 16 is a top plan view thereof; FIG. 17 is a bottom plan view thereof; and, FIG. 18 is a front perspective view in an opened position. The broken lines in the figures illustrate portions of the design that form no part of the claimed design. The mobilephone case and the card case are shown detached for ease and clarity of illustration.

1 Claim, 18 Drawing Sheets



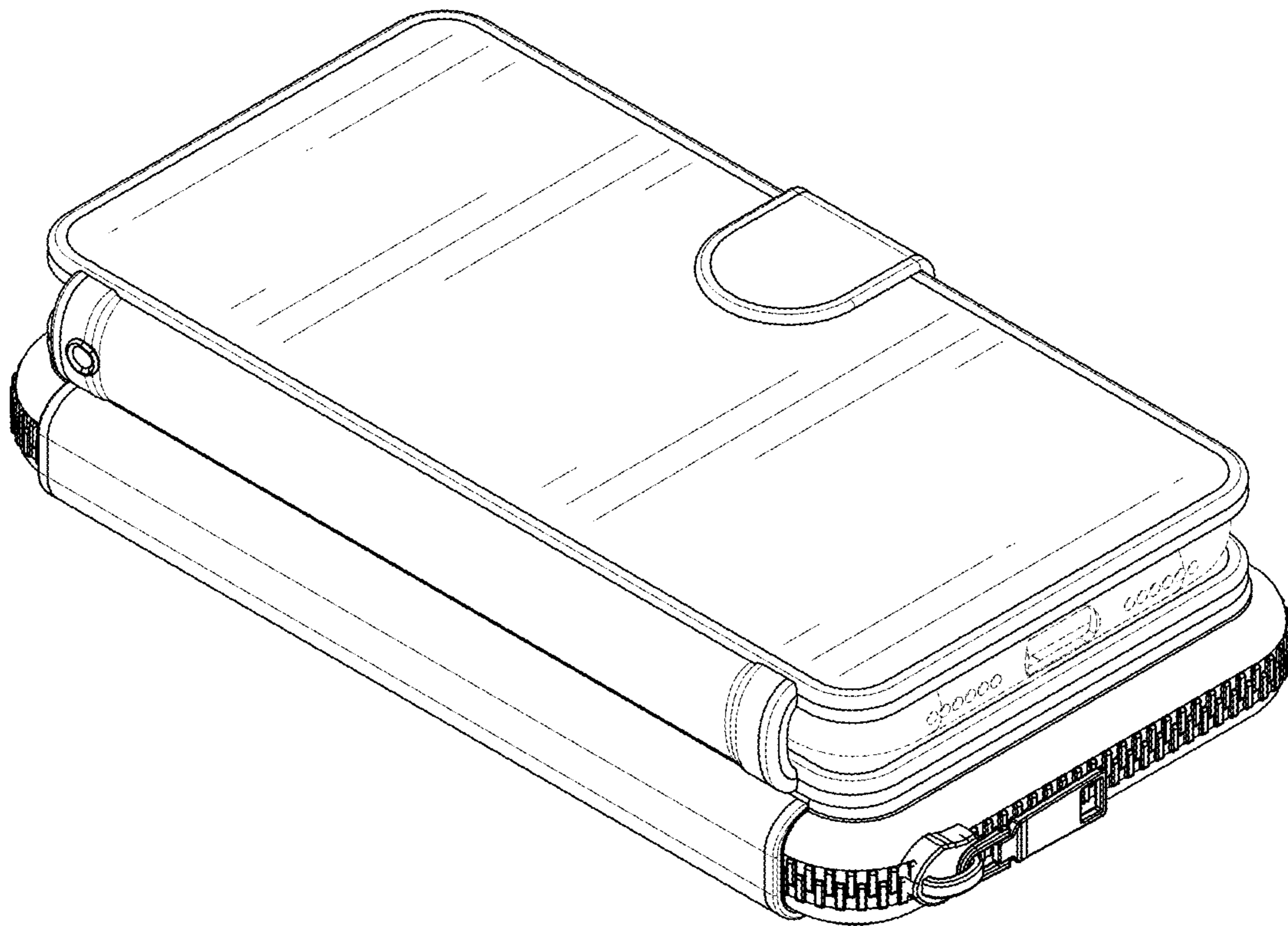


FIG. 1

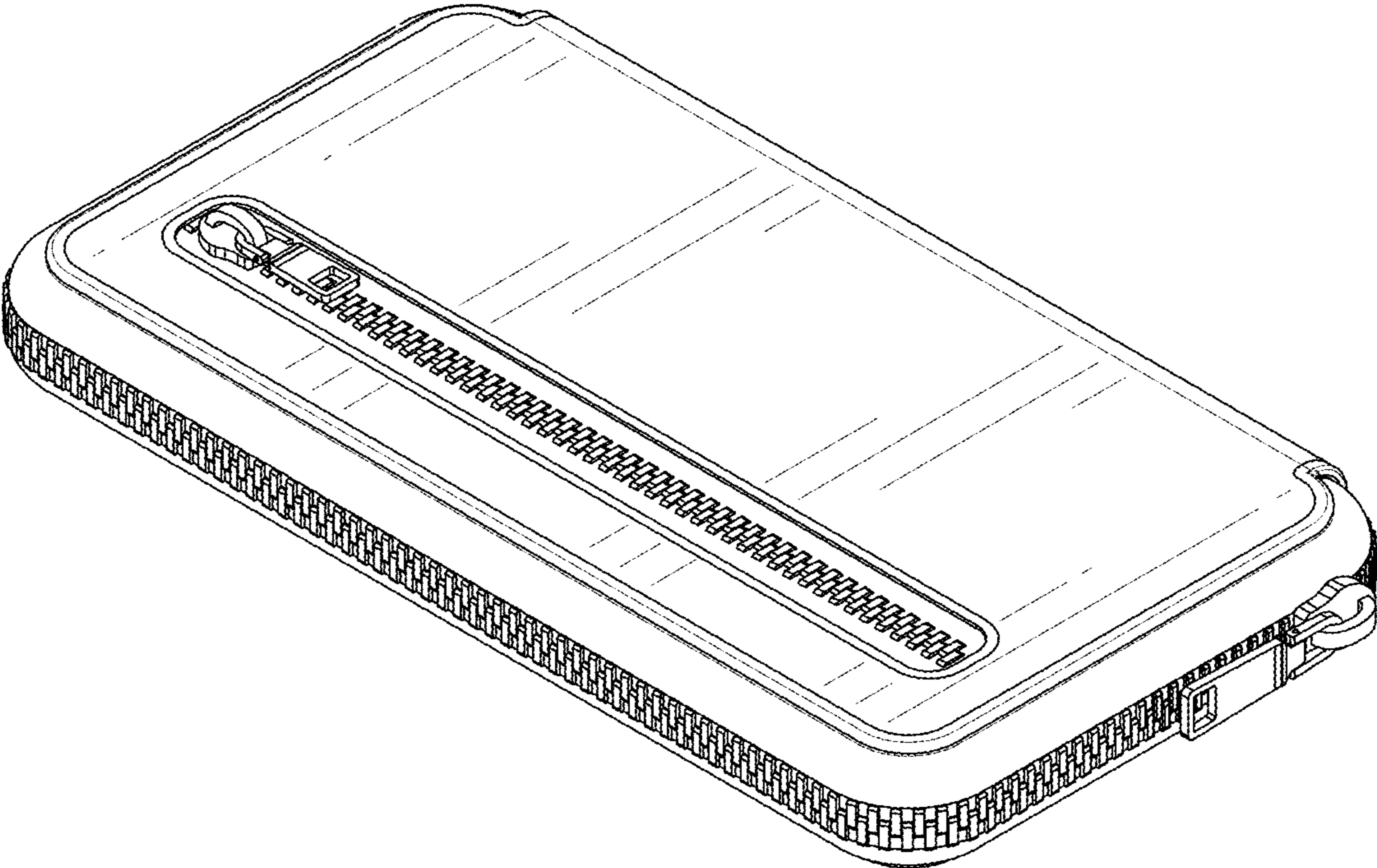


FIG. 2

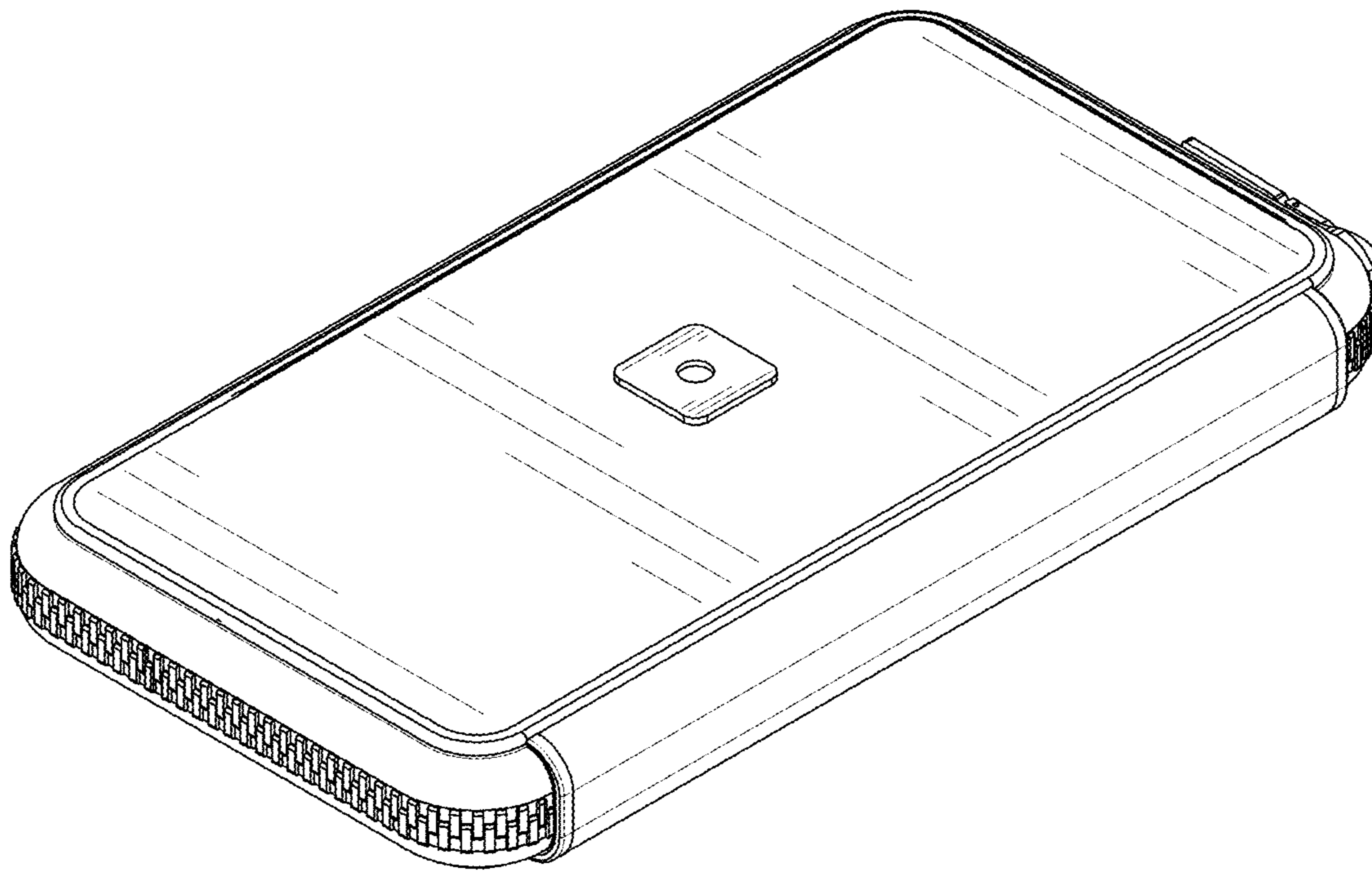


FIG. 3

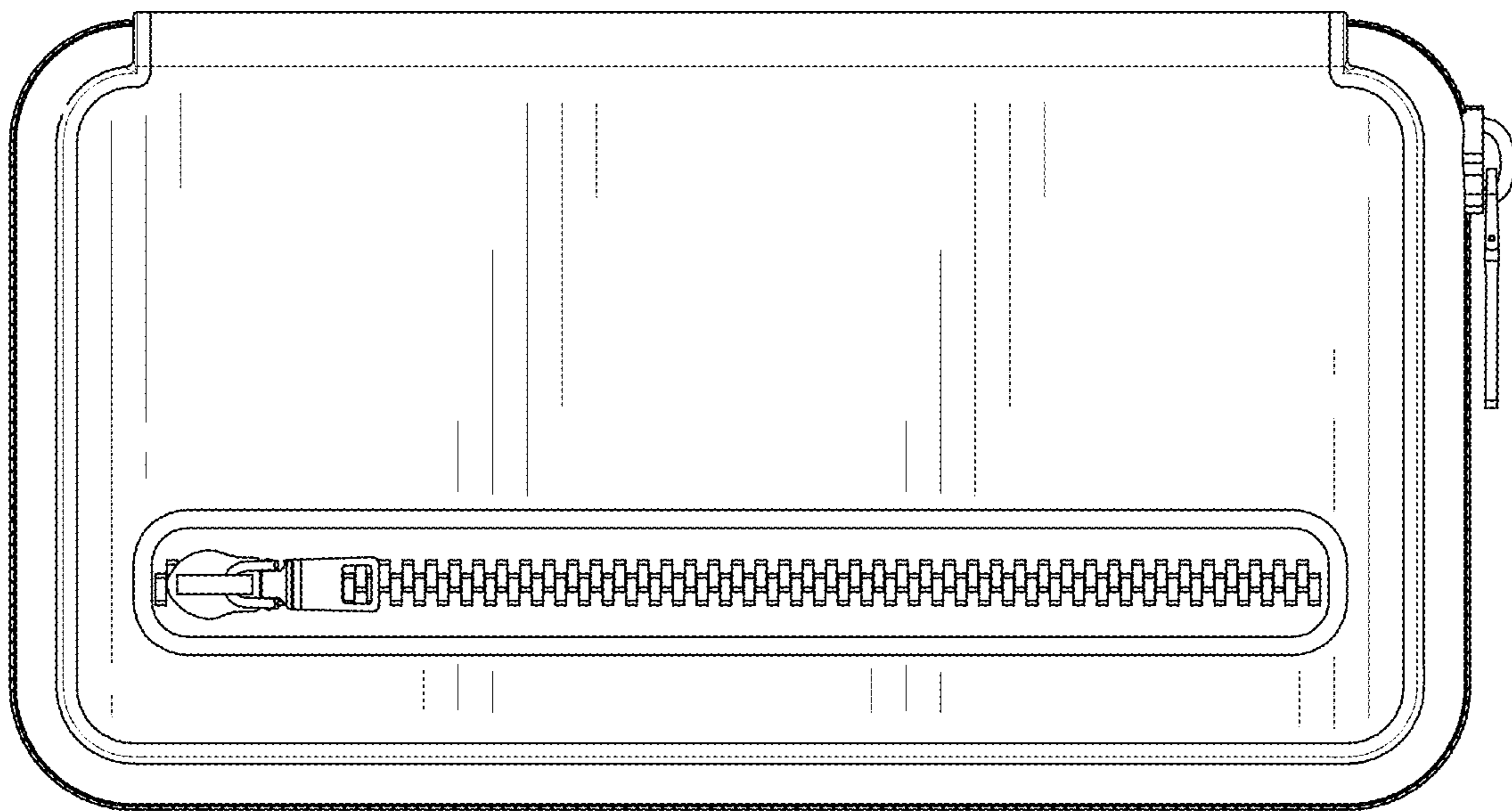


FIG. 4

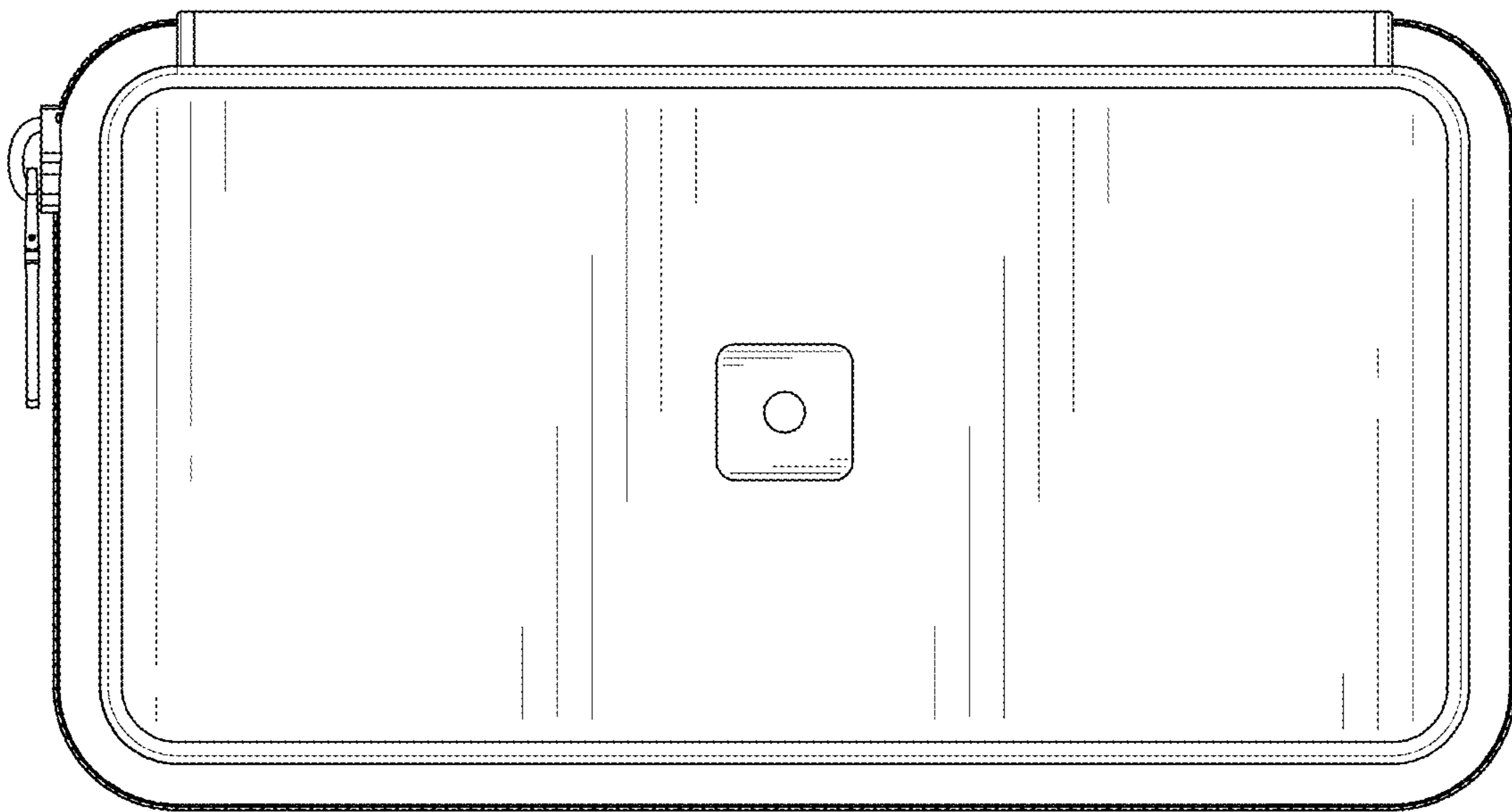


FIG. 5

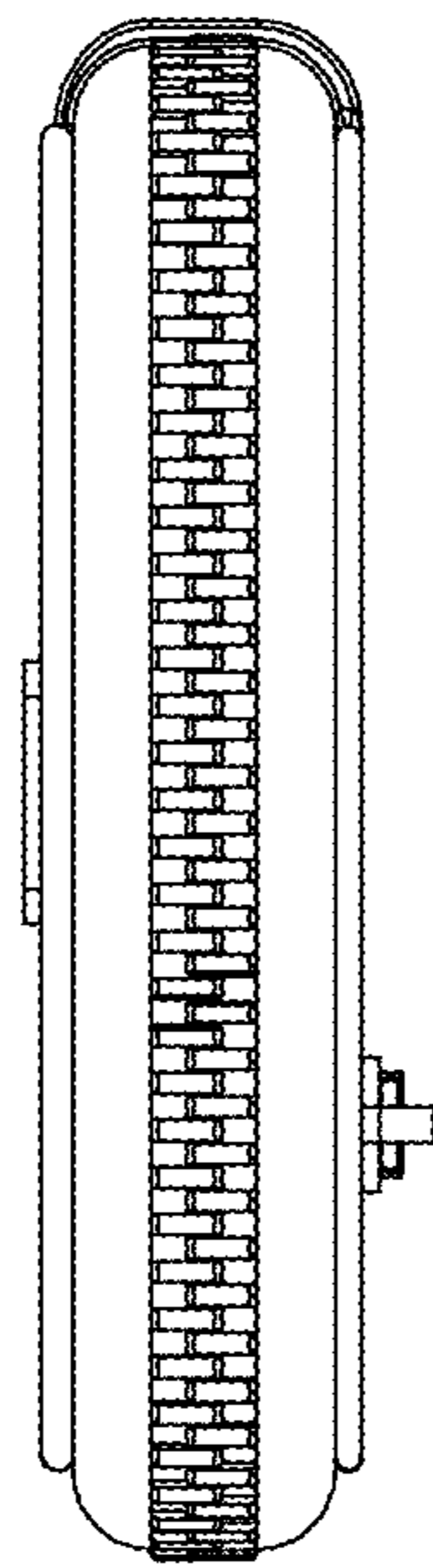


FIG. 6

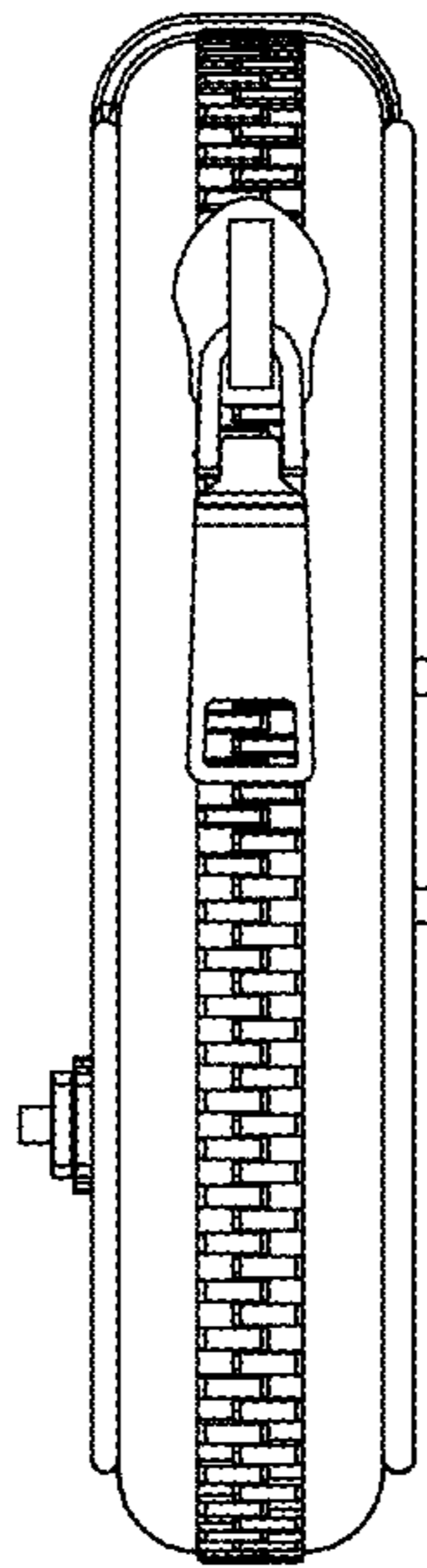


FIG. 7

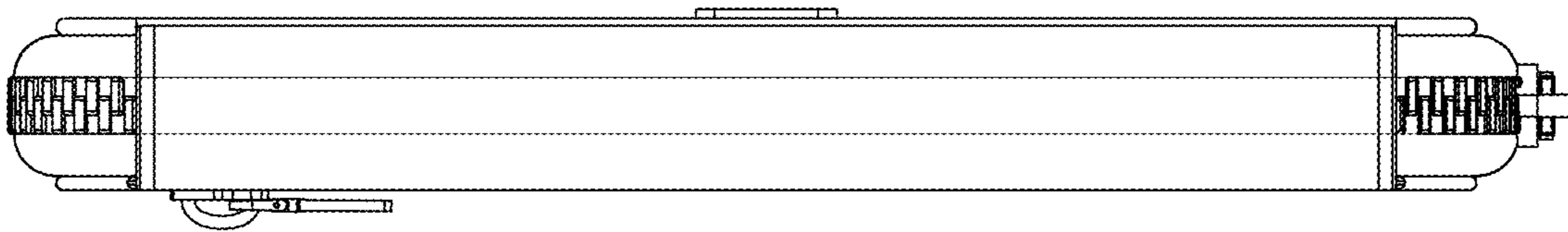


FIG. 8

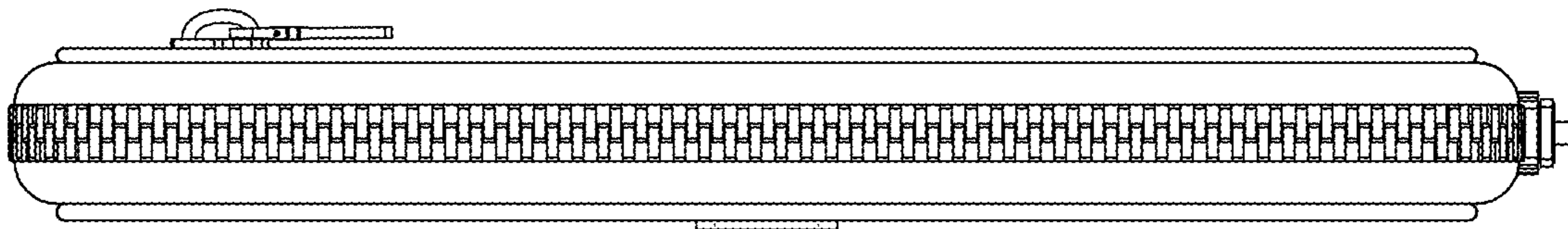


FIG. 9

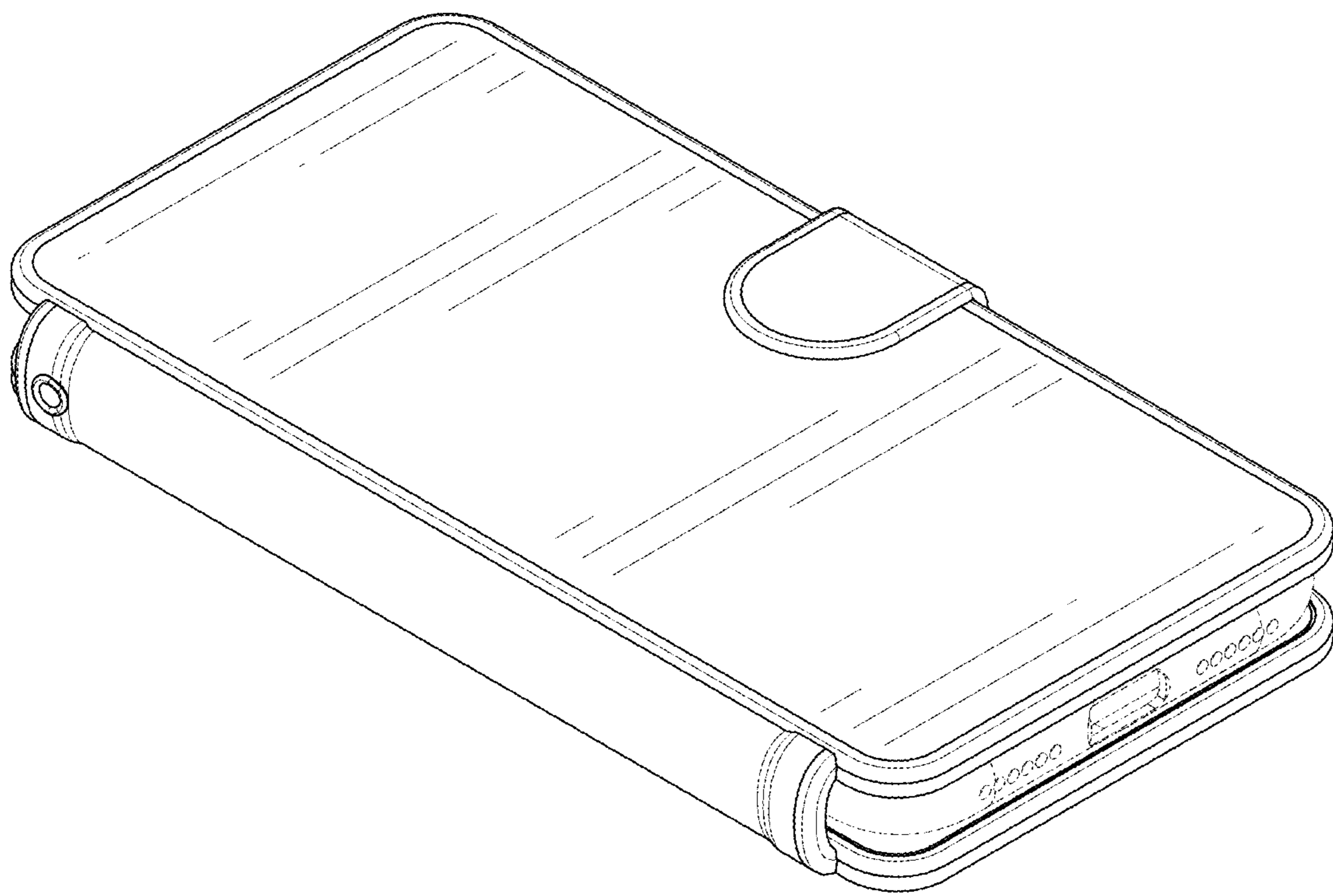


FIG. 10

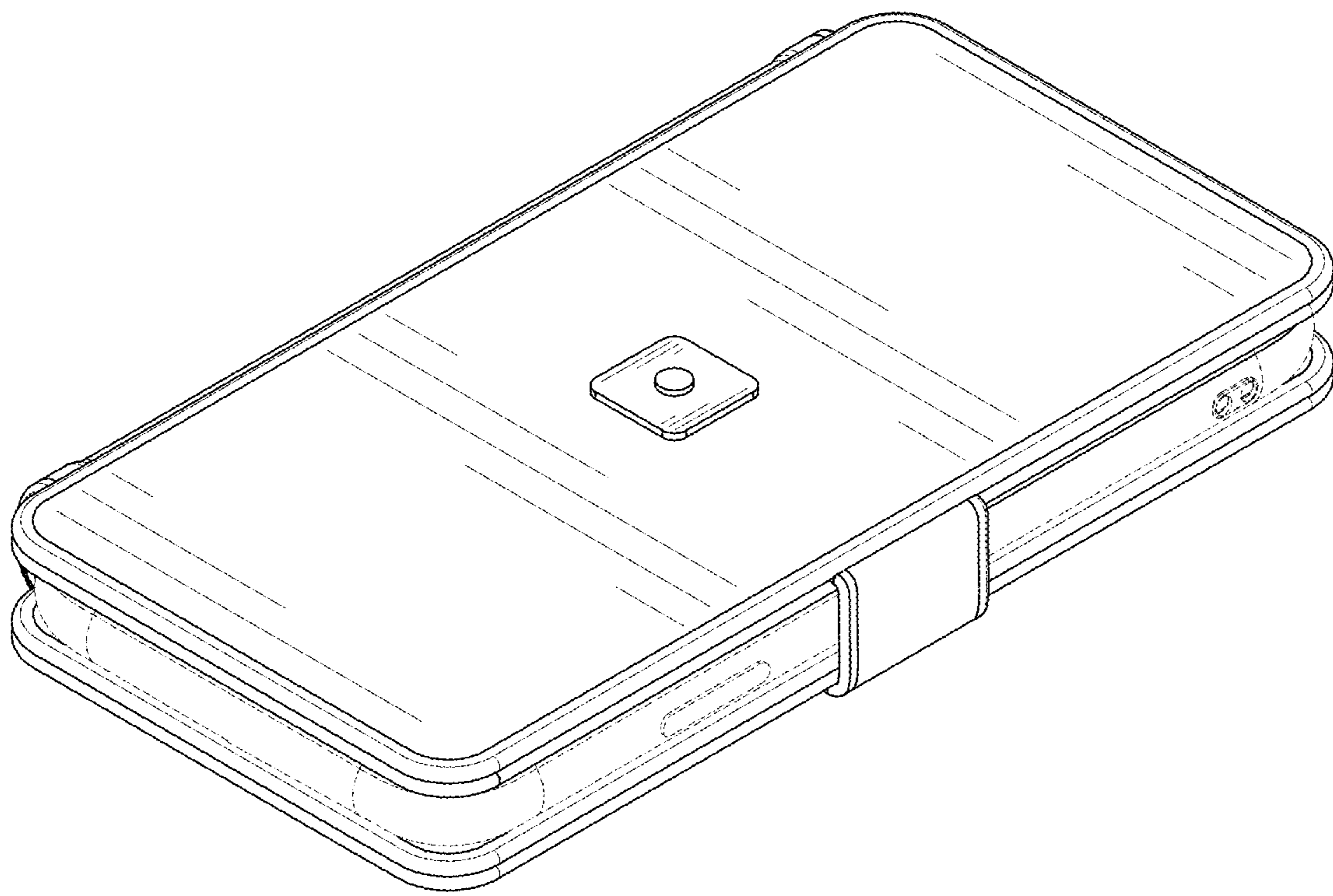


FIG. 11

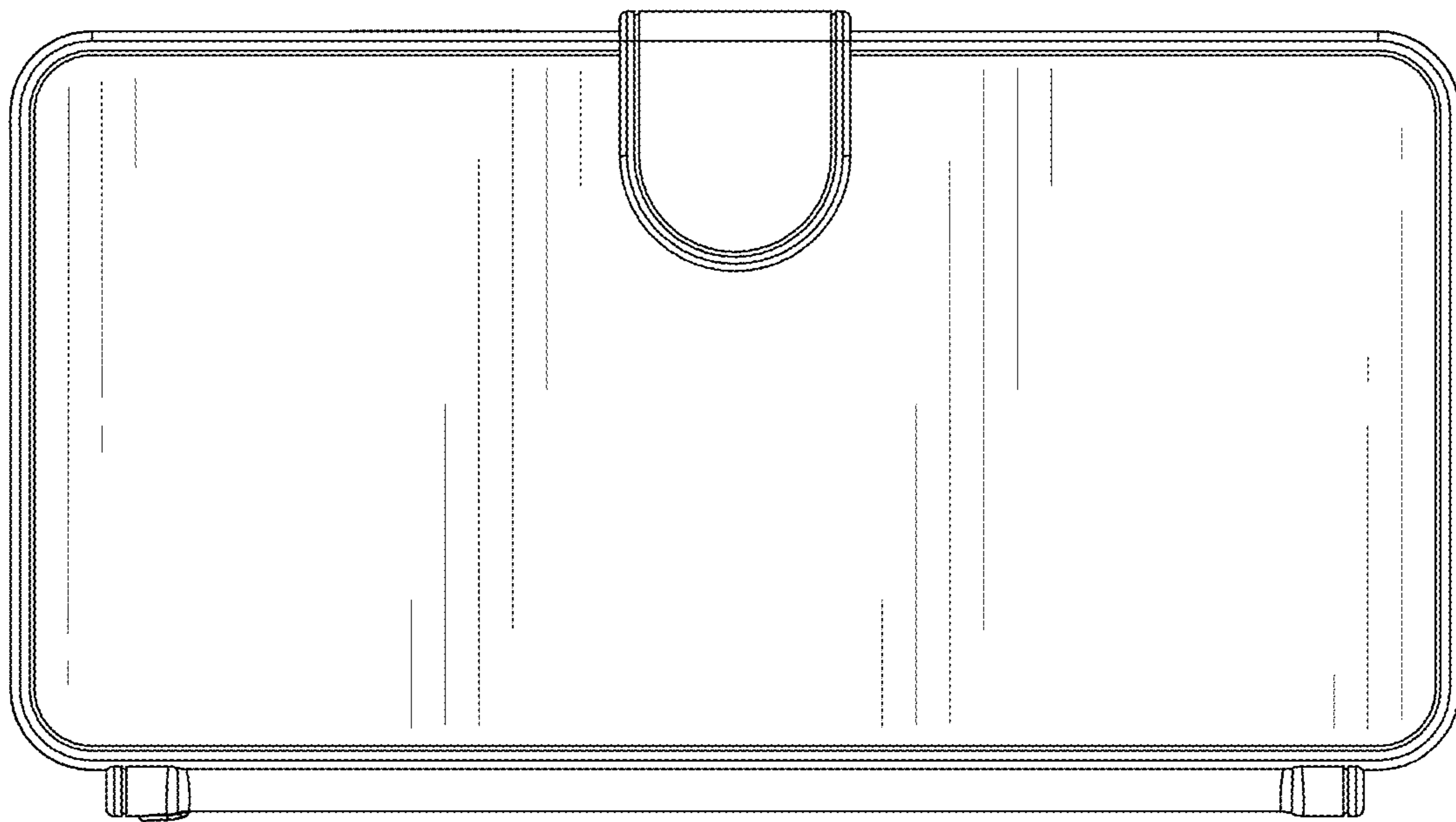


FIG. 12

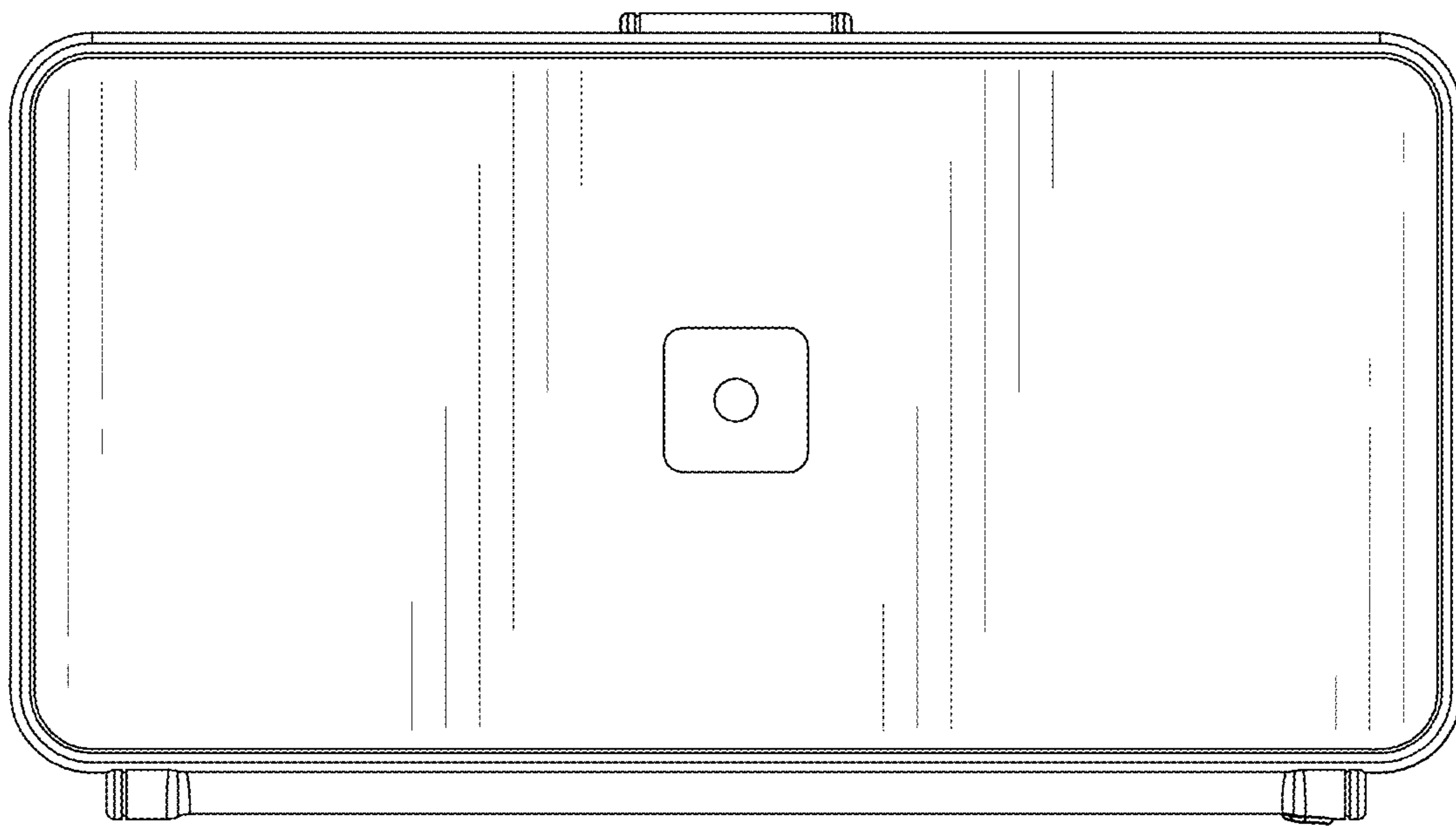


FIG. 13

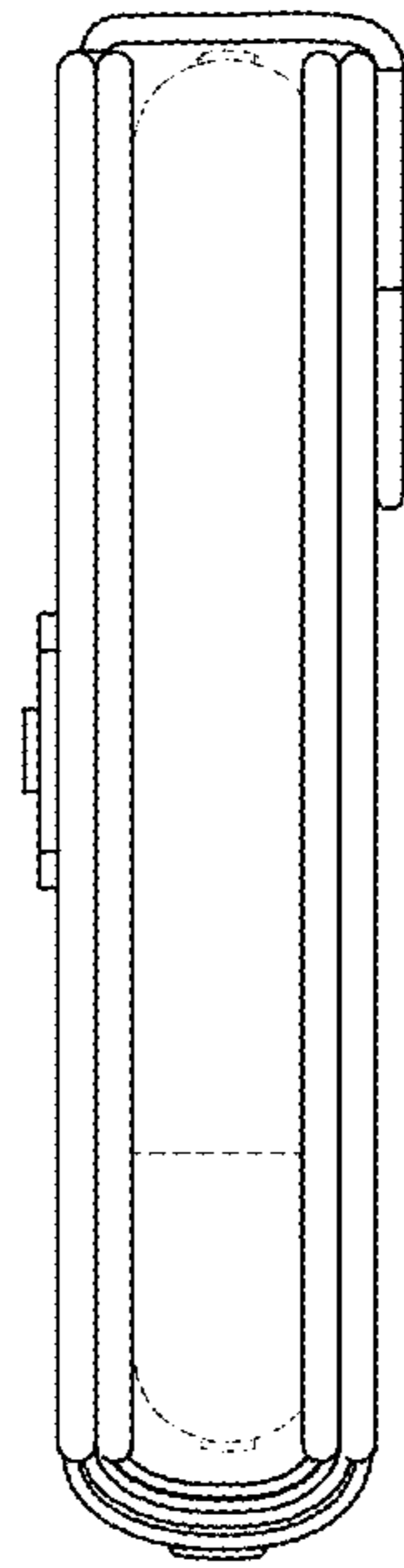


FIG. 14

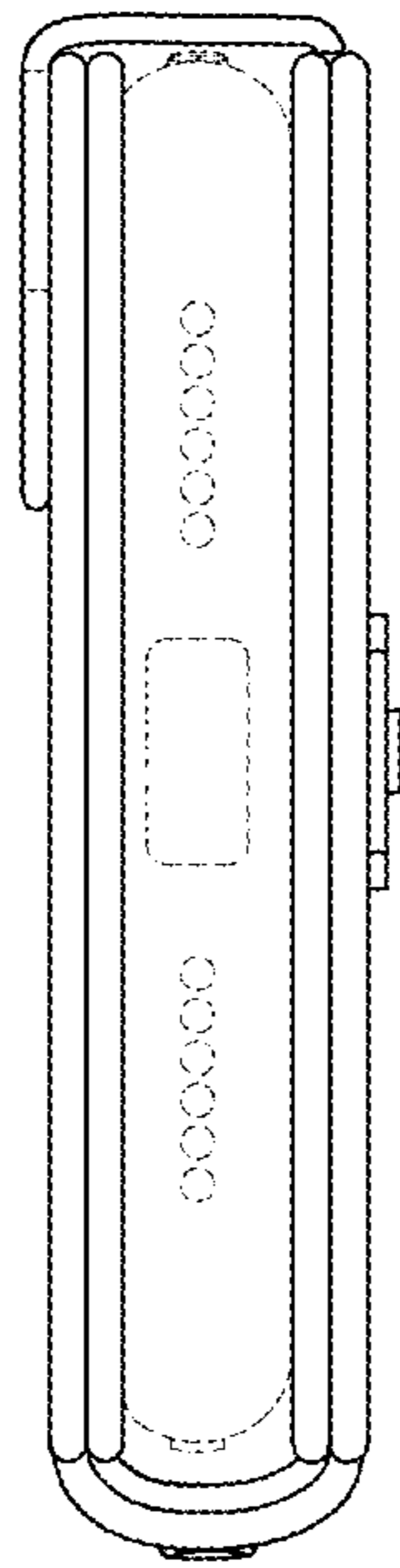


FIG. 15

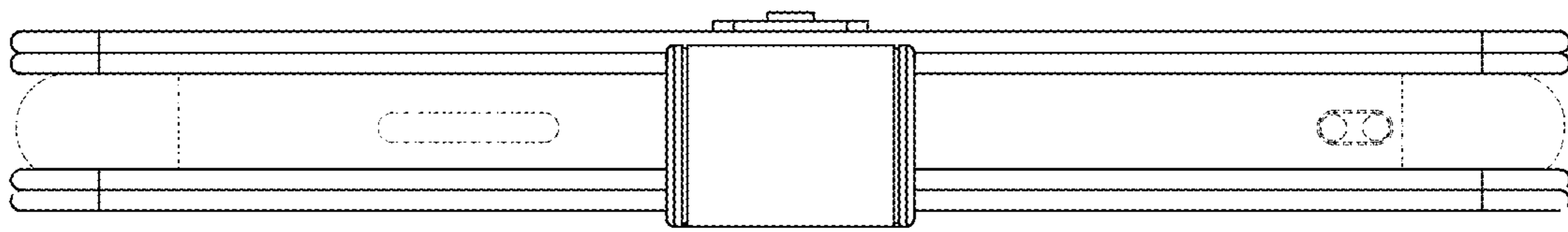


FIG. 16

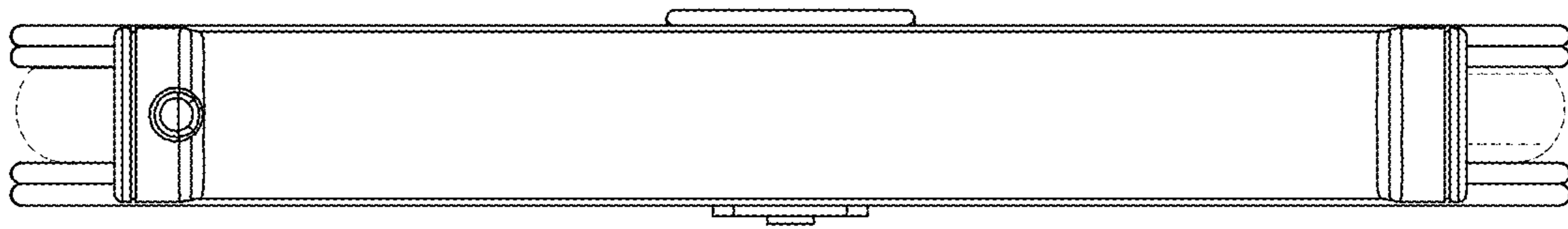


FIG. 17

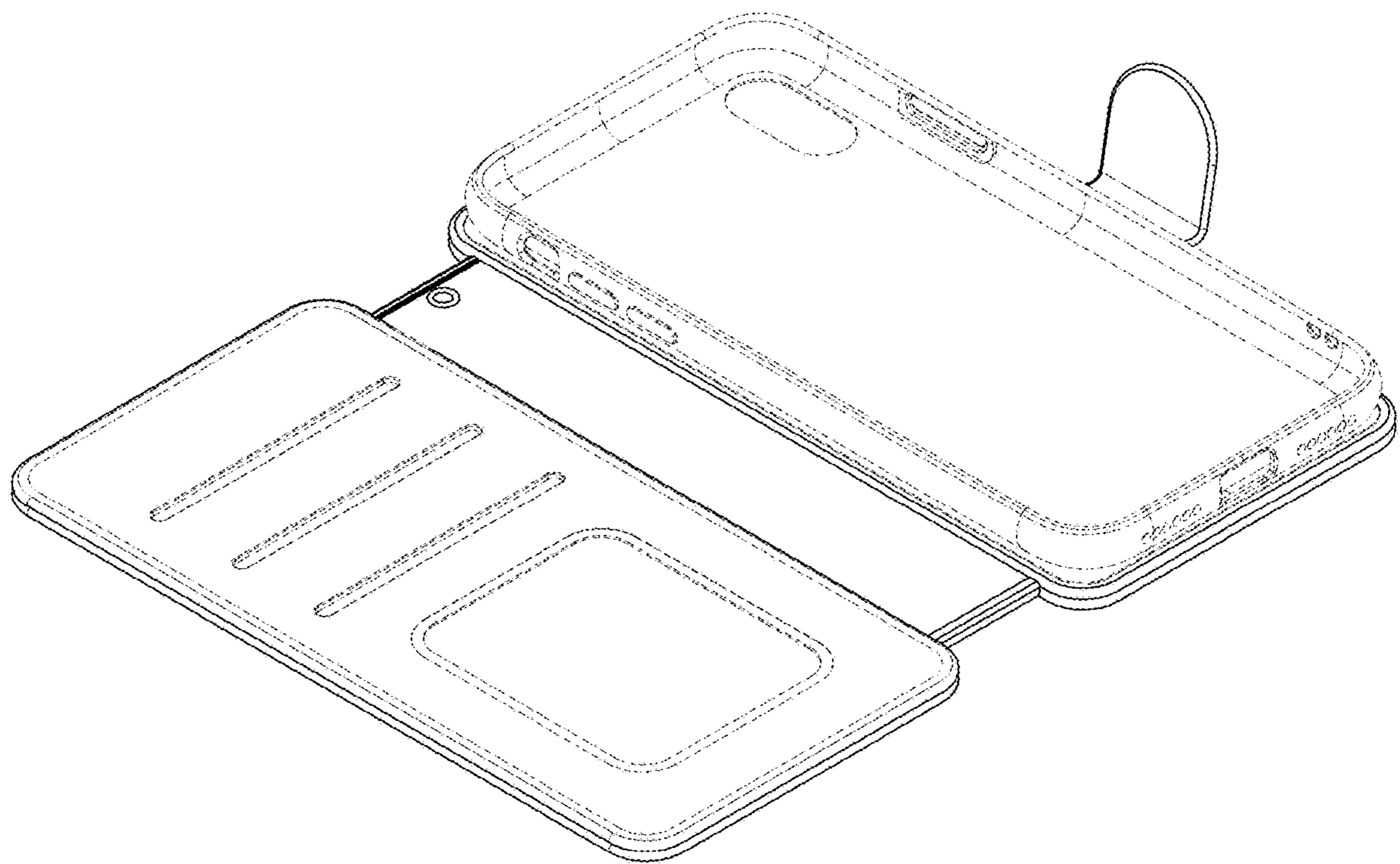


FIG. 18