



US00D880853S

(12) **United States Design Patent**
Vaccarello

(10) **Patent No.:** **US D880,853 S**
(45) **Date of Patent:** **** Apr. 14, 2020**

(54) **BAG**

(71) Applicant: **YVES SAINT LAURENT**, Paris (FR)

(72) Inventor: **Anthony Vaccarello**, Paris (FR)

(73) Assignee: **YVES SAINT LAURENT**, Paris (FR)

(**) Term: **15 Years**

(21) Appl. No.: **29/674,325**

(22) Filed: **Dec. 20, 2018**

(30) **Foreign Application Priority Data**

| | | |
|--------------|------|----------------|
| Dec. 4, 2018 | (EM) | 005843224-0006 |
| Dec. 4, 2018 | (EM) | 005843224-0007 |
| Dec. 4, 2018 | (EM) | 005843224-0008 |

(51) **LOC (12) Cl.** **03-01**

(52) **U.S. Cl.**
USPC **D3/245**

(58) **Field of Classification Search**
USPC D3/232-233, 240-243, 245, 246
CPC A45C 1/024; A45C 3/06
See application file for complete search history.

(56) **References Cited**

U.S. PATENT DOCUMENTS

| | | | |
|--------------|---------|---------|--------|
| D772,566 S * | 11/2016 | Slimane | D3/245 |
| D775,823 S * | 1/2017 | Jacobs | D3/245 |
| D801,042 S * | 10/2017 | Nair | D3/245 |
| D809,790 S * | 2/2018 | Fusi | D3/245 |
| D814,181 S * | 4/2018 | Morelli | D3/245 |

* cited by examiner

Primary Examiner — Holly H Baynham

(74) *Attorney, Agent, or Firm* — Donald J. Ranft; Collen

(57) **CLAIM**

The ornamental design for a bag, as shown and described.

DESCRIPTION

FIG. 1 is a front right perspective view of a bag showing my new design;

FIG. 2 is a front view thereof;

FIG. 3 is a rear view thereof;

FIG. 4 is a right side view thereof;

FIG. 5 is a left side view thereof;

FIG. 6 is a top view thereof;

FIG. 7 is a bottom view thereof;

FIG. 8 is a front right perspective view, with a purse inserted, thereof;

FIG. 9 is a front view thereof;

FIG. 10 is a rear view thereof;

FIG. 11 is a right side view thereof;

FIG. 12 is a left side view thereof;

FIG. 13 is a top view thereof;

FIG. 14 is a bottom view thereof;

FIG. 15 is a front right perspective view of a purse thereof;

FIG. 16 is a front view thereof;

FIG. 17 is a rear view thereof;

FIG. 18 is a right side view thereof;

FIG. 19 is a left side view thereof;

FIG. 20 is a top view thereof; and,

FIG. 21 is a bottom view thereof.

The portions of the bag shown in broken lines represent thread stitching and do form a part of the claimed design.

1 Claim, 15 Drawing Sheets

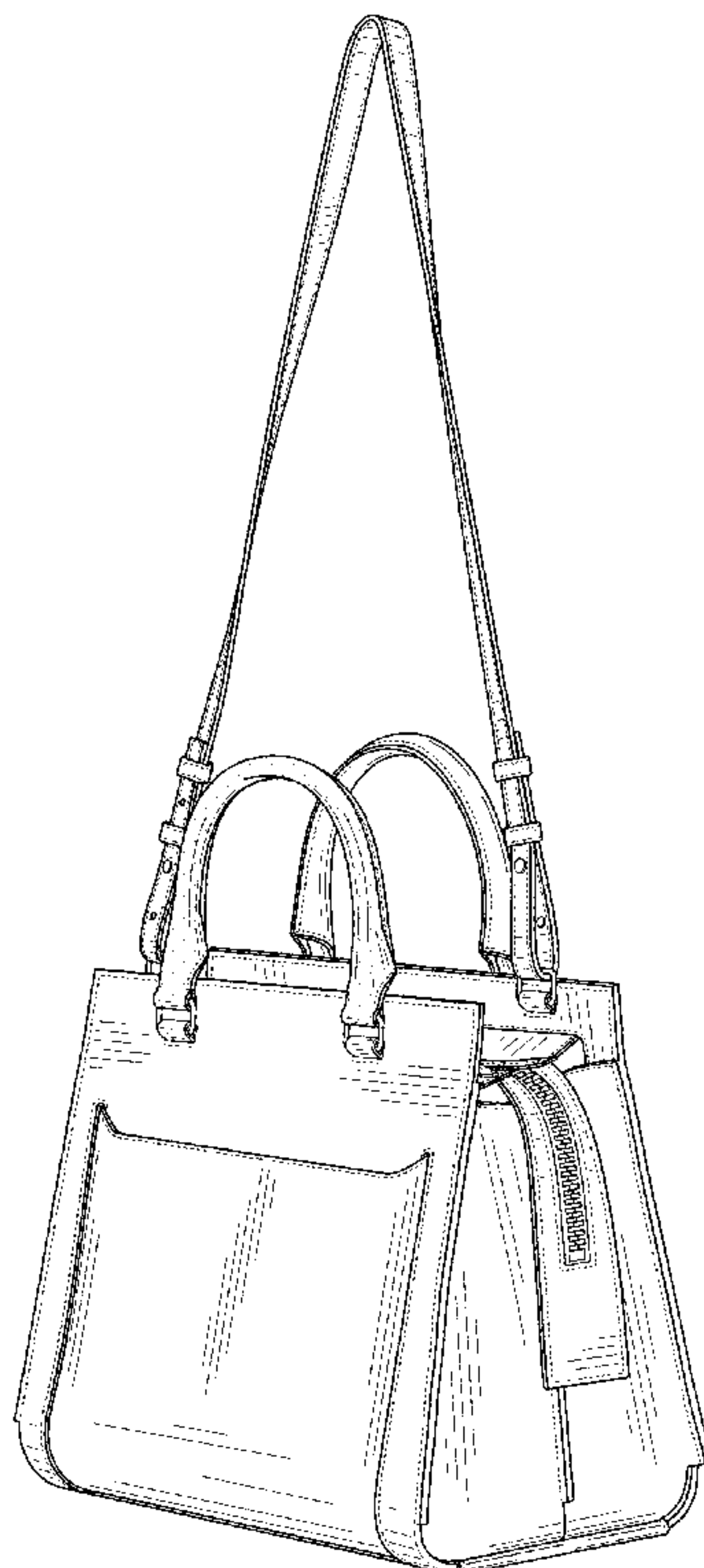




FIG. 1



FIG. 2

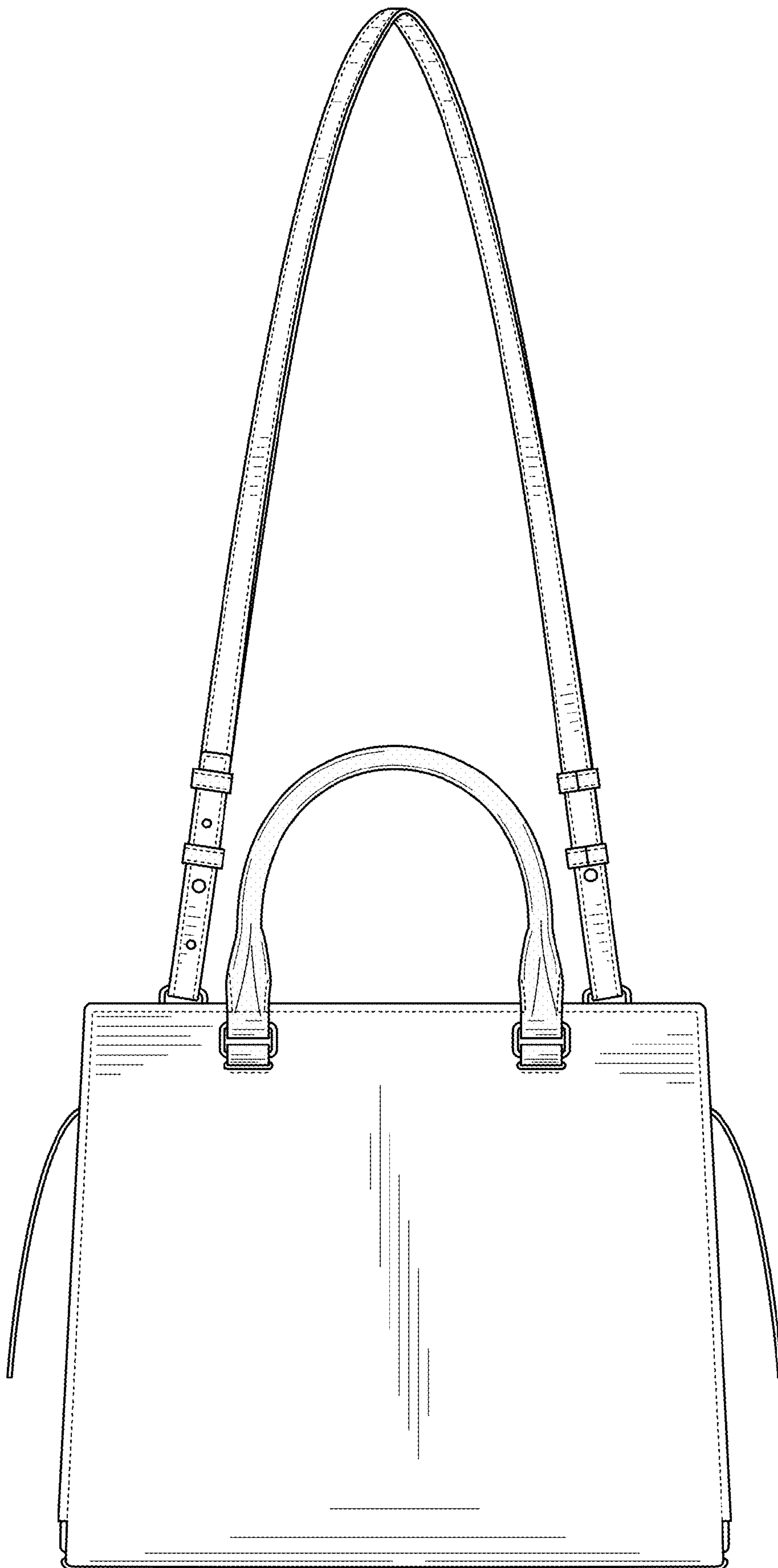


FIG. 3

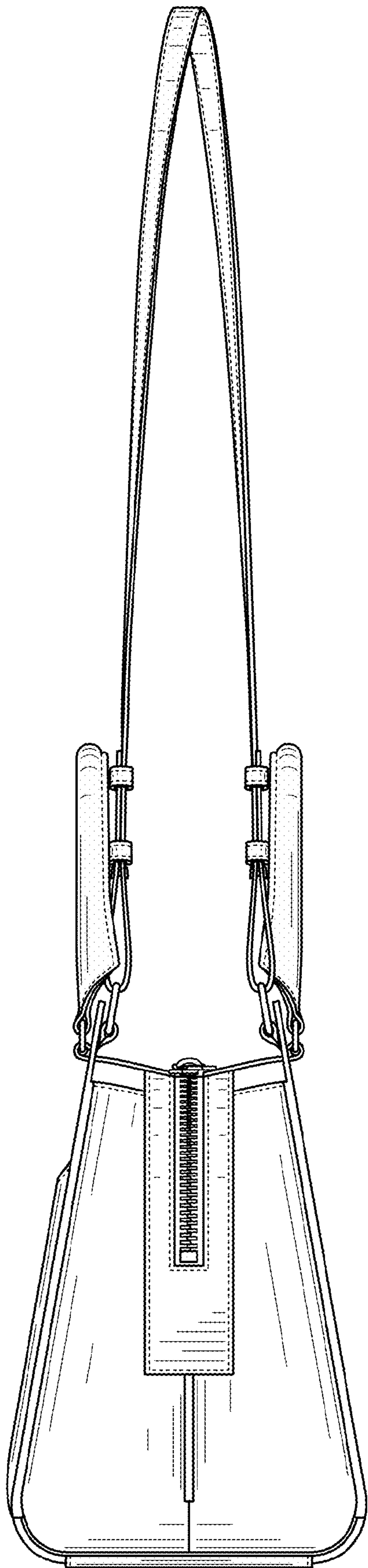


FIG. 4

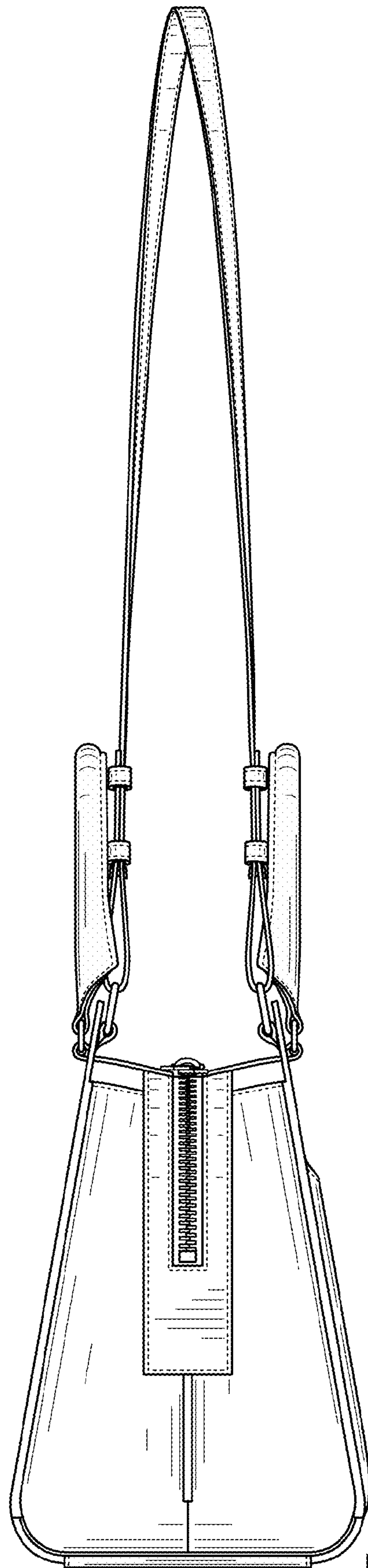


FIG. 5

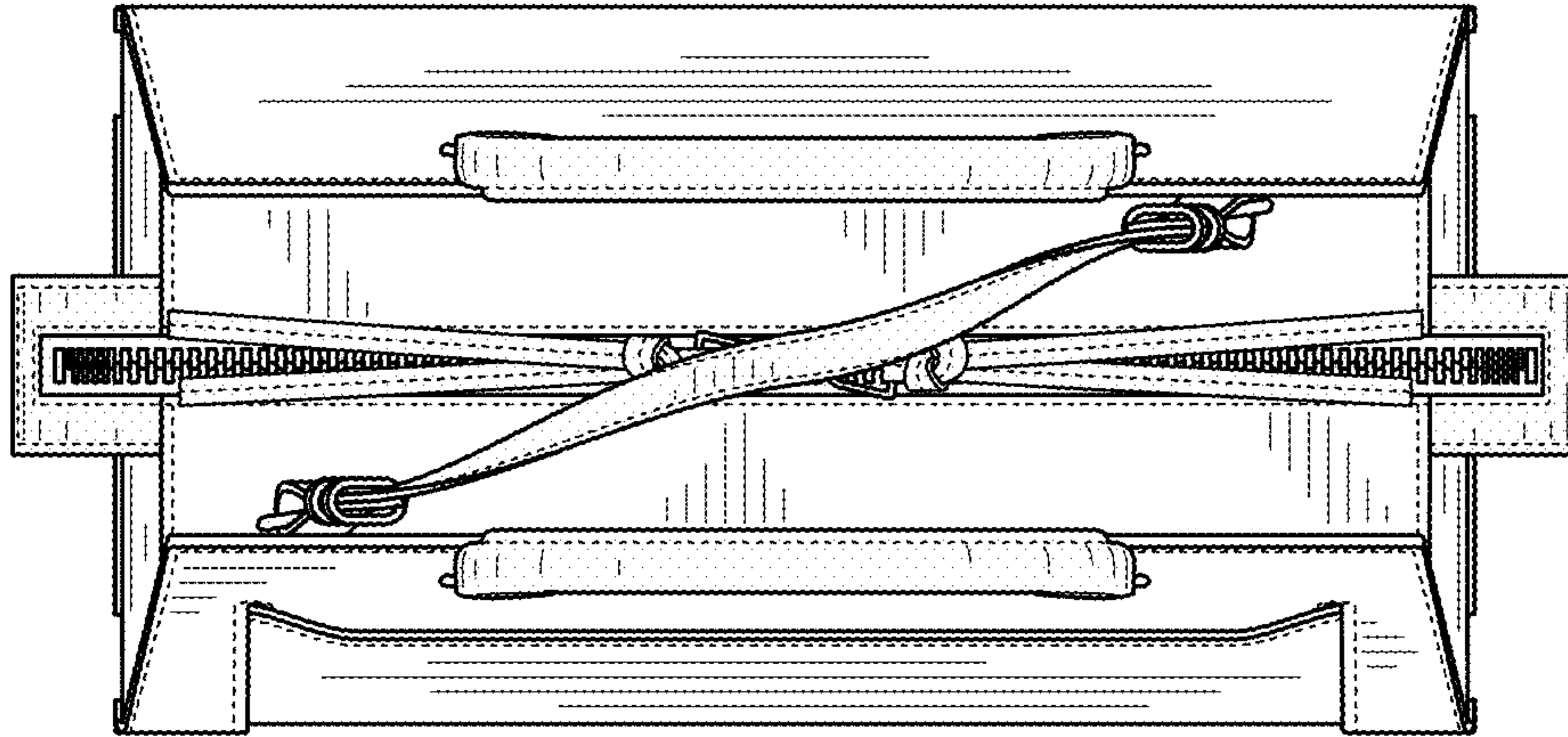


FIG. 6

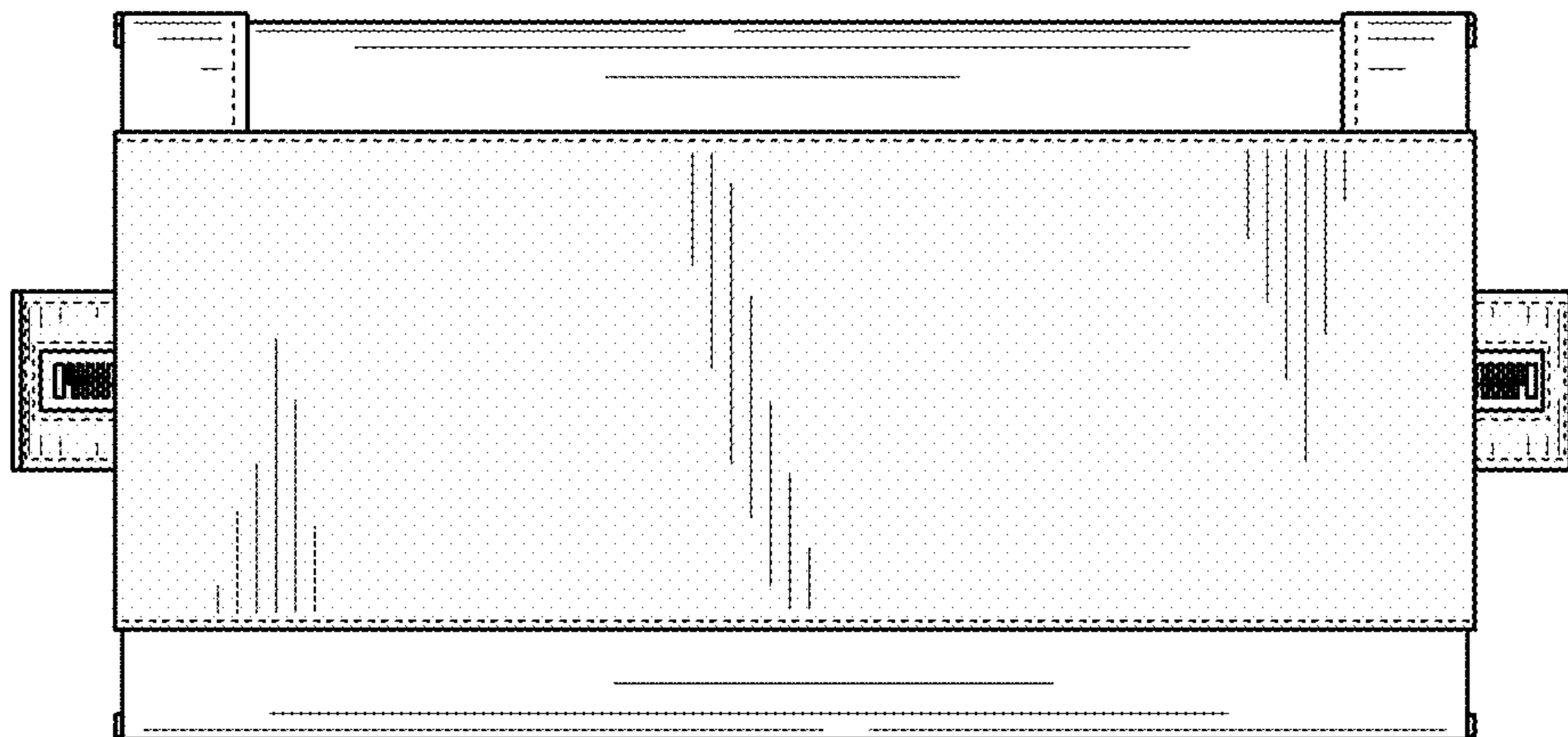


FIG. 7

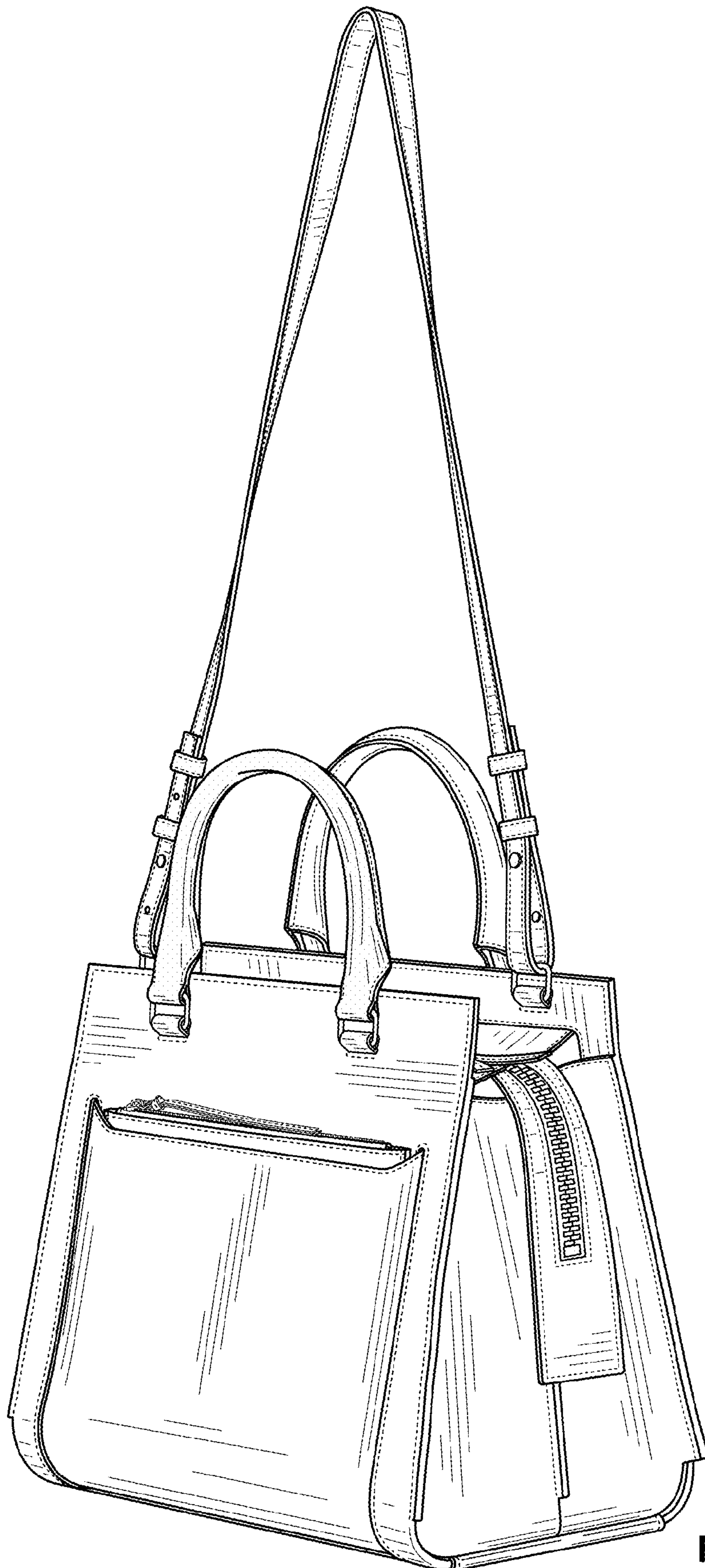


FIG. 8

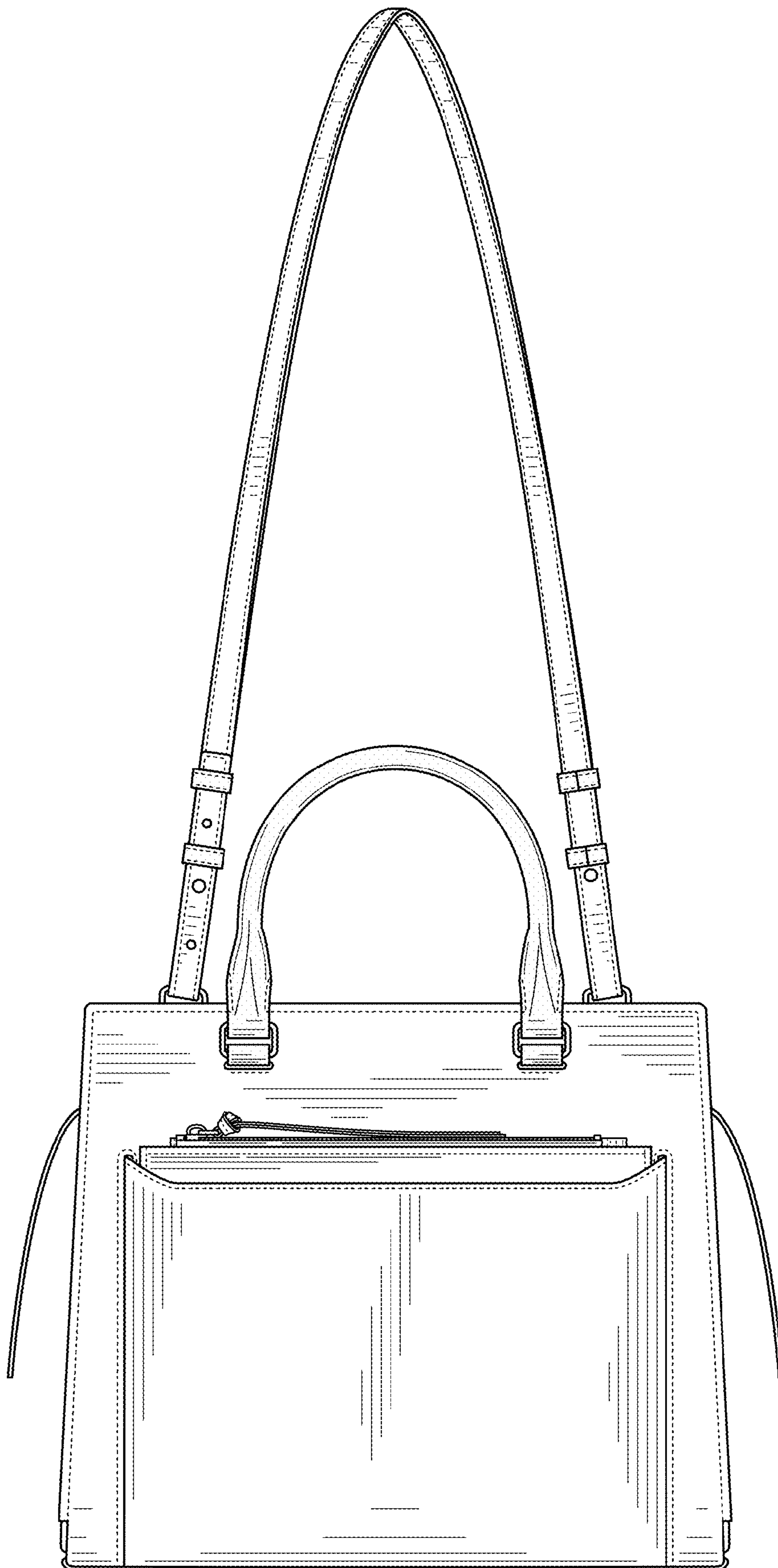


FIG. 9

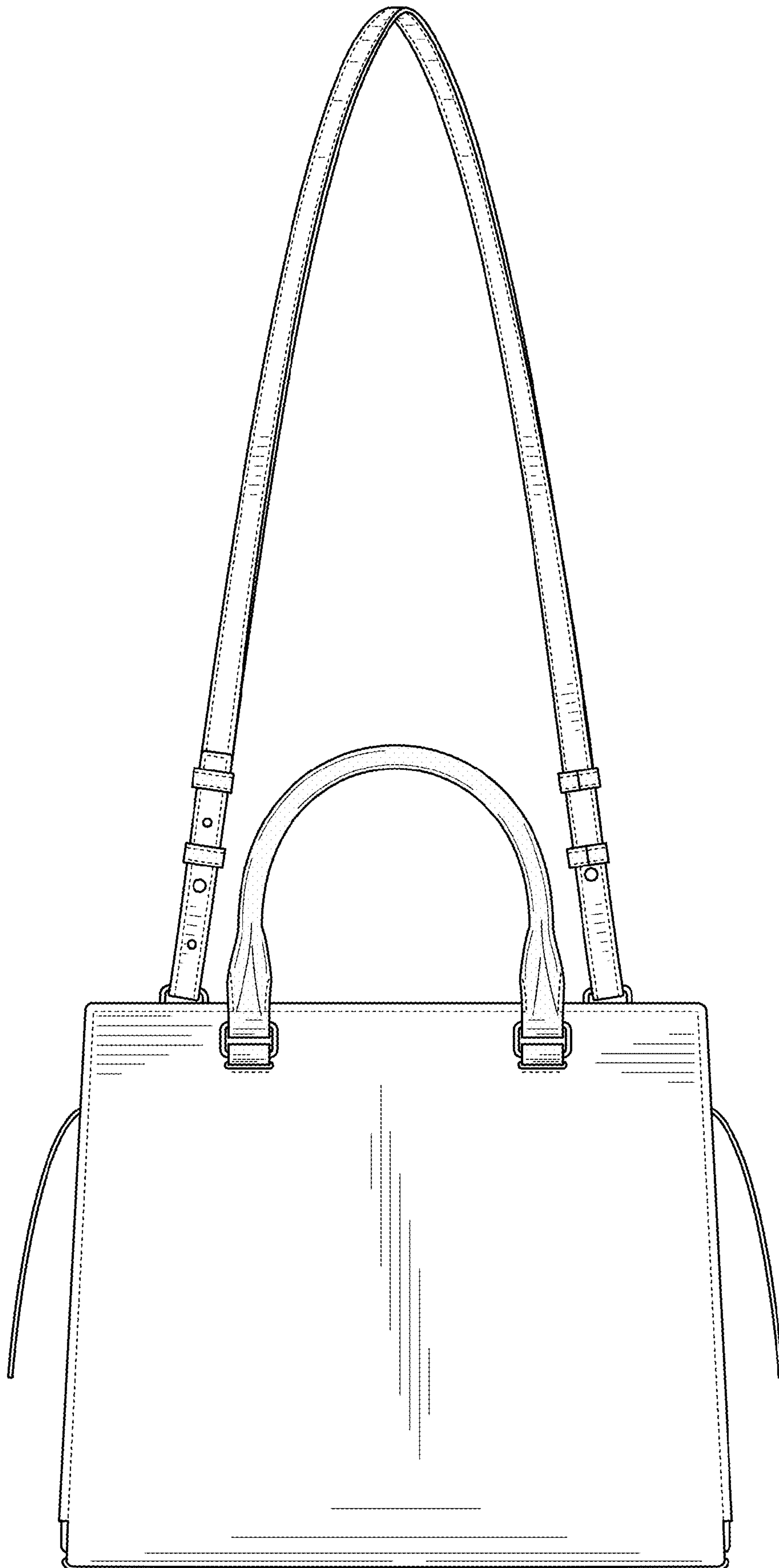


FIG. 10

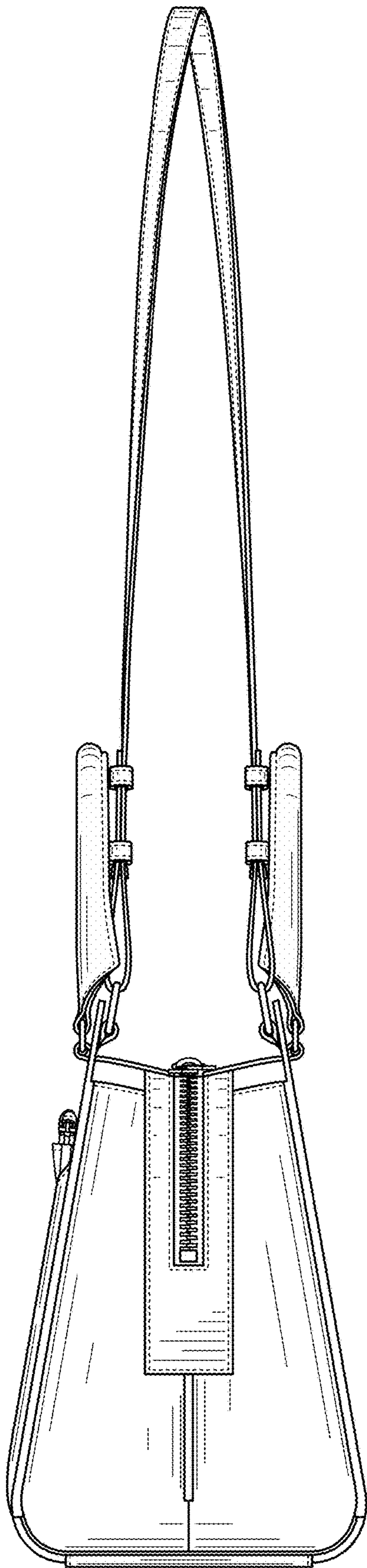


FIG. 11

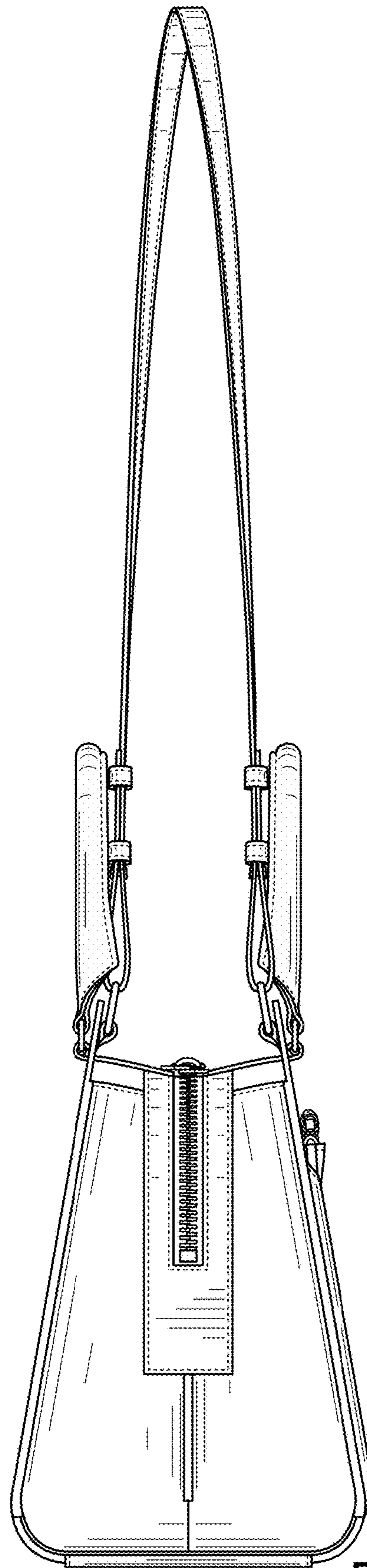


FIG. 12

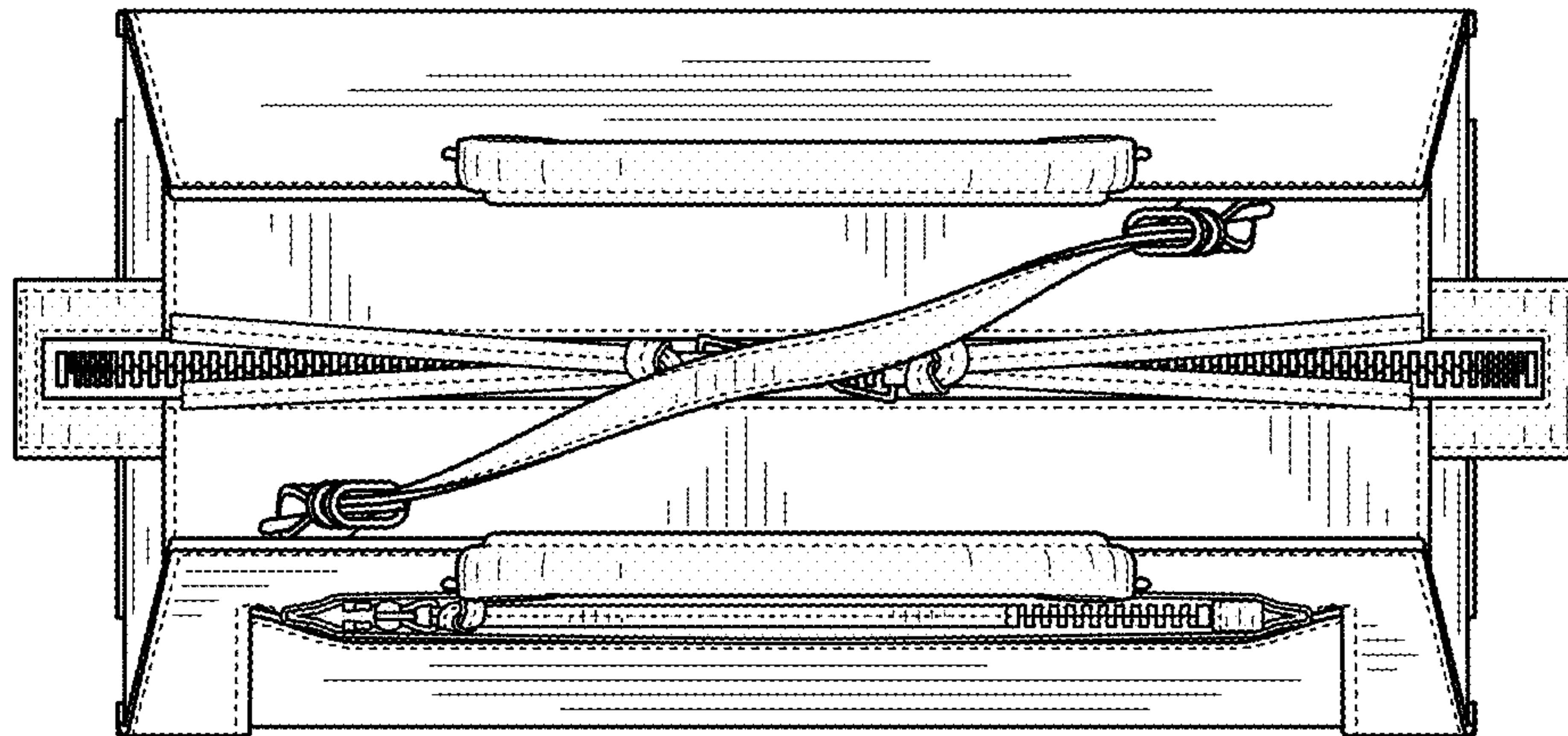


FIG. 13

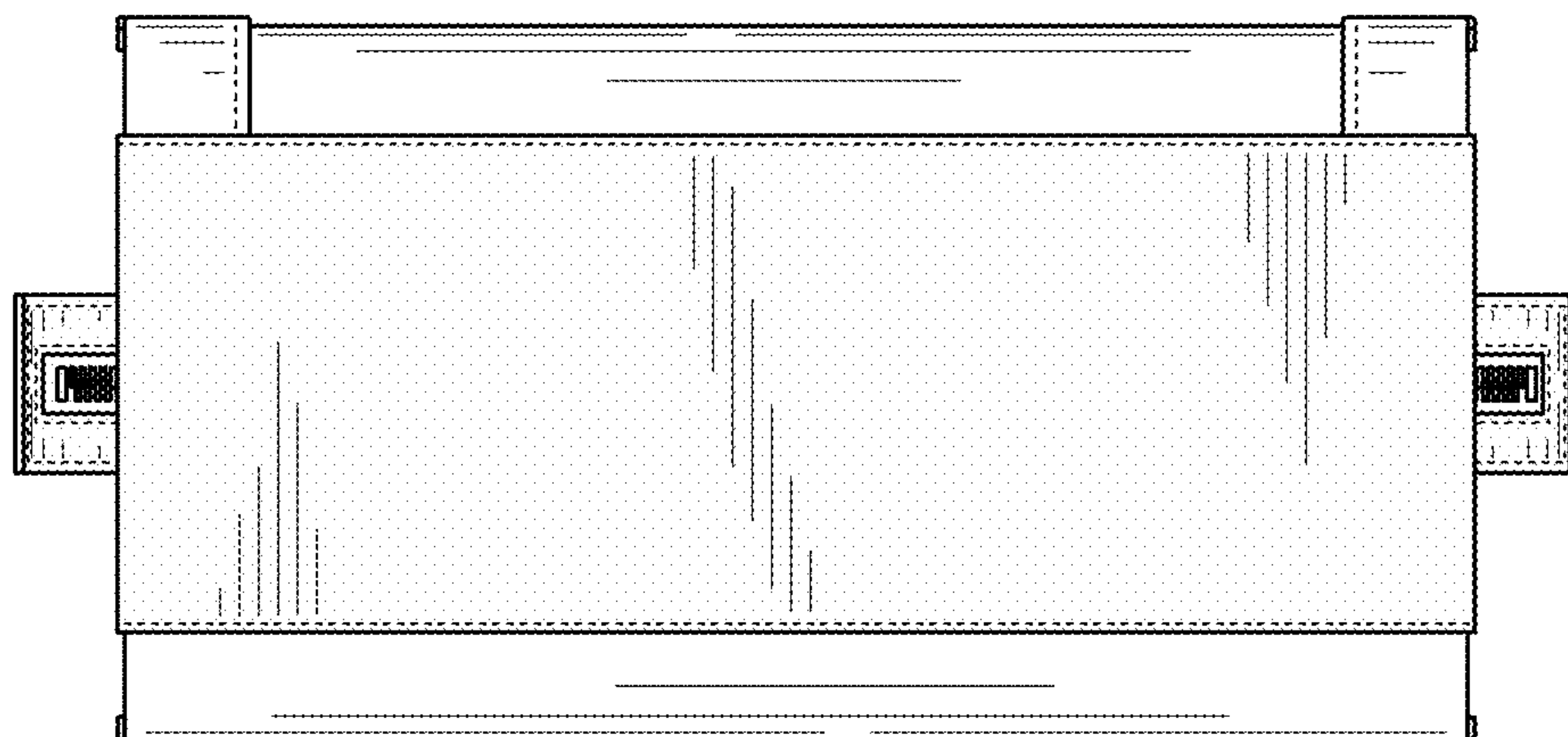


FIG. 14

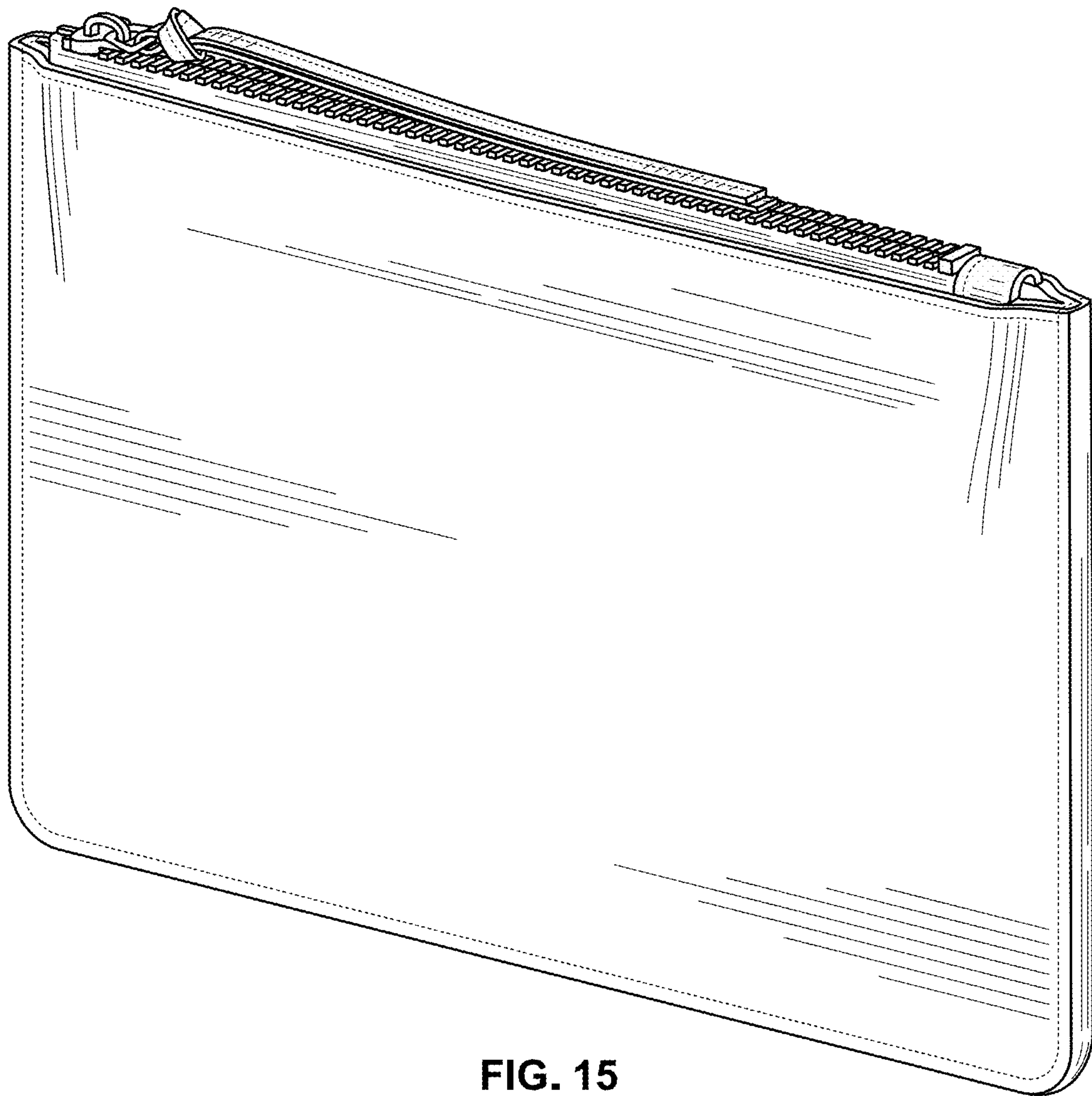


FIG. 15

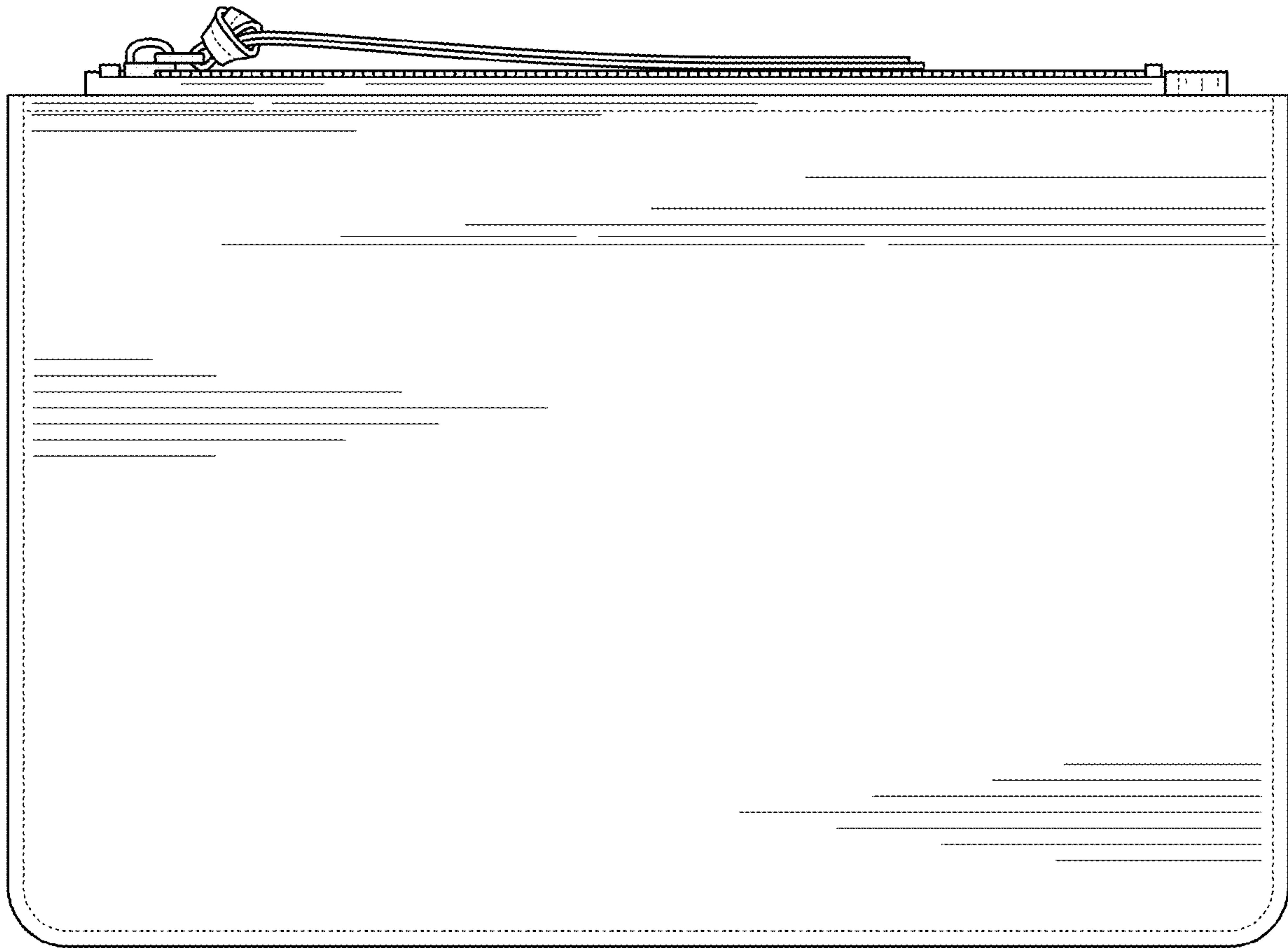


FIG. 16

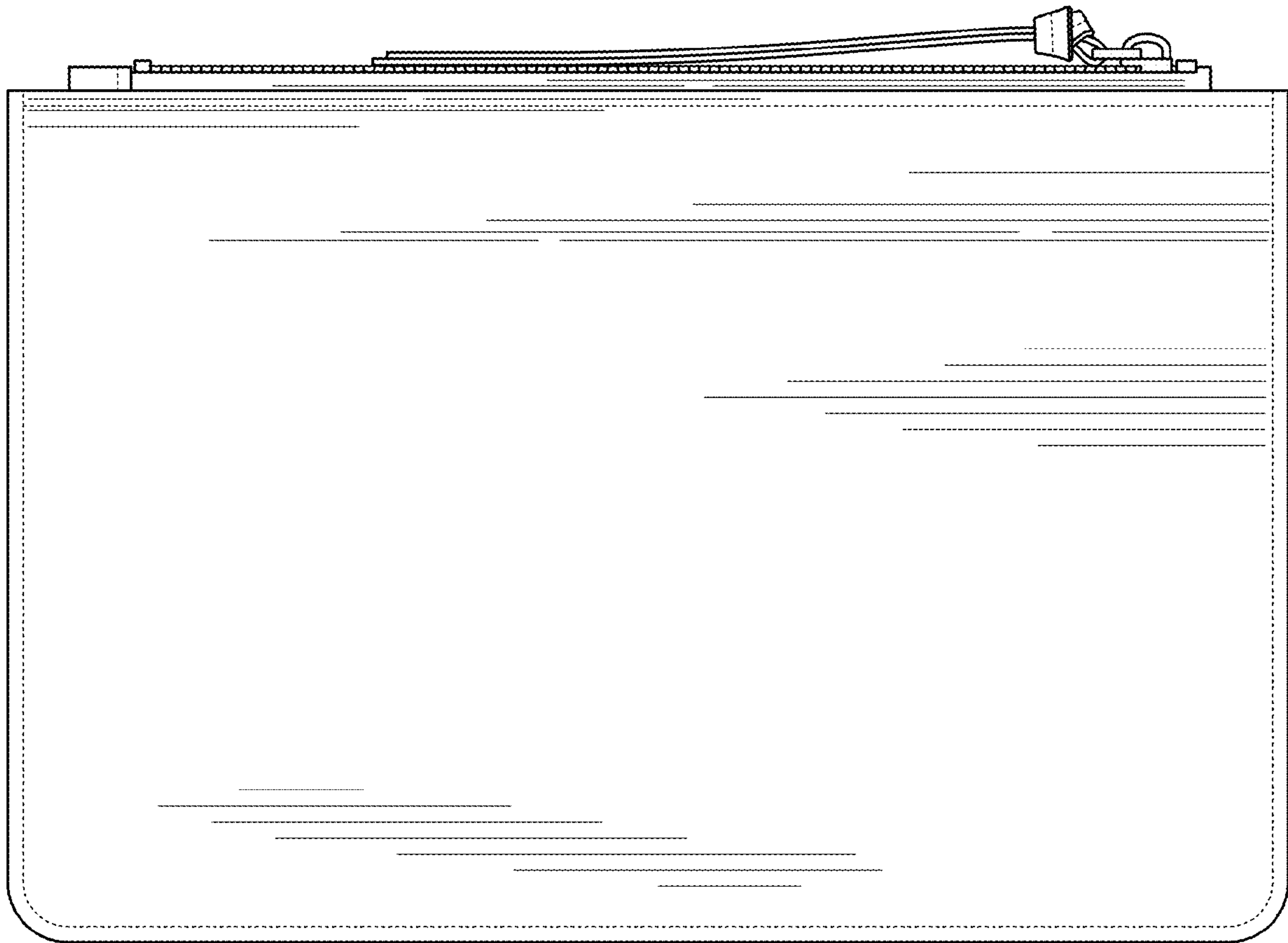


FIG. 17

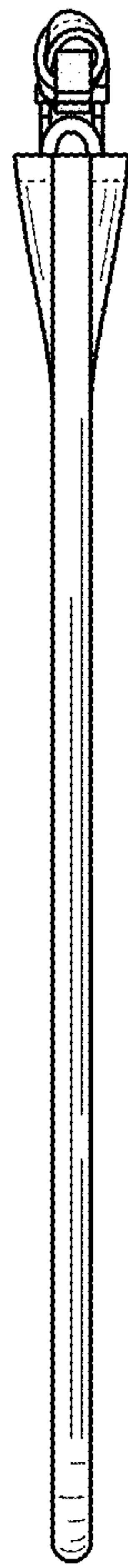


FIG. 18

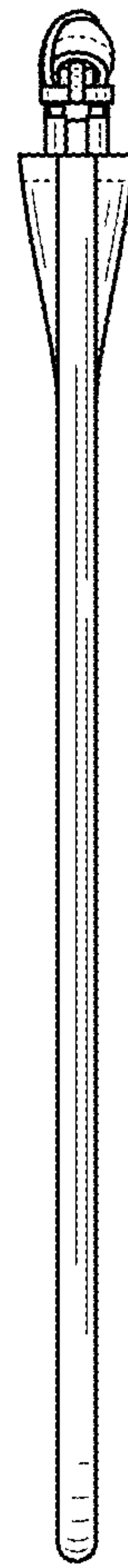


FIG. 19



FIG. 20

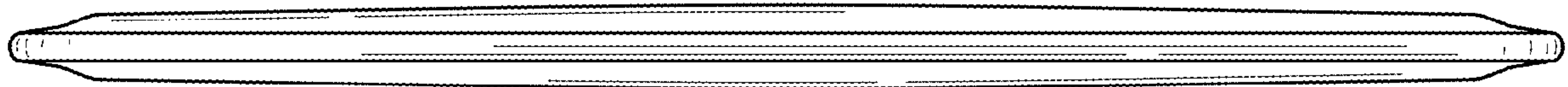


FIG. 21