



US00D880851S

(12) **United States Design Patent**
Liu

(10) **Patent No.:** **US D880,851 S**
(45) **Date of Patent:** **** Apr. 14, 2020**

(54) **RUNNING BELT**

(71) Applicant: **Xin Liu**, Shenzhen (CN)

(72) Inventor: **Xin Liu**, Shenzhen (CN)

(**) Term: **15 Years**

(21) Appl. No.: **29/678,782**

(22) Filed: **Jan. 31, 2019**

(51) **LOC (12) Cl.** **03-01**

(52) **U.S. Cl.**
USPC **D3/224**

(58) **Field of Classification Search**
USPC D3/215, 221, 224, 226; 224/236, 240,
224/245, 251, 662-663, 665-666, 673,
224/680, 683, 901.2, 901.4, 930
CPC A45F 3/14; A45F 5/00; A45F 5/021; A45F
2003/144
See application file for complete search history.

(56) **References Cited**

U.S. PATENT DOCUMENTS

D290,306 S * 6/1987 Pickens D3/224
D365,928 S * 1/1996 Sauer D3/224

D694,003 S * 11/2013 Pomerantz D3/221
D809,288 S * 2/2018 Preseren D3/224
D855,312 S * 8/2019 Rostoker D3/224
2006/0102679 A1 * 5/2006 Grassley A45F 5/02
224/674
2008/0093406 A1 * 4/2008 Logan A45F 3/14
224/682

* cited by examiner

Primary Examiner — Catherine R Oliver-Garcia
(74) *Attorney, Agent, or Firm* — Bayramoglu Law Offices
LLC

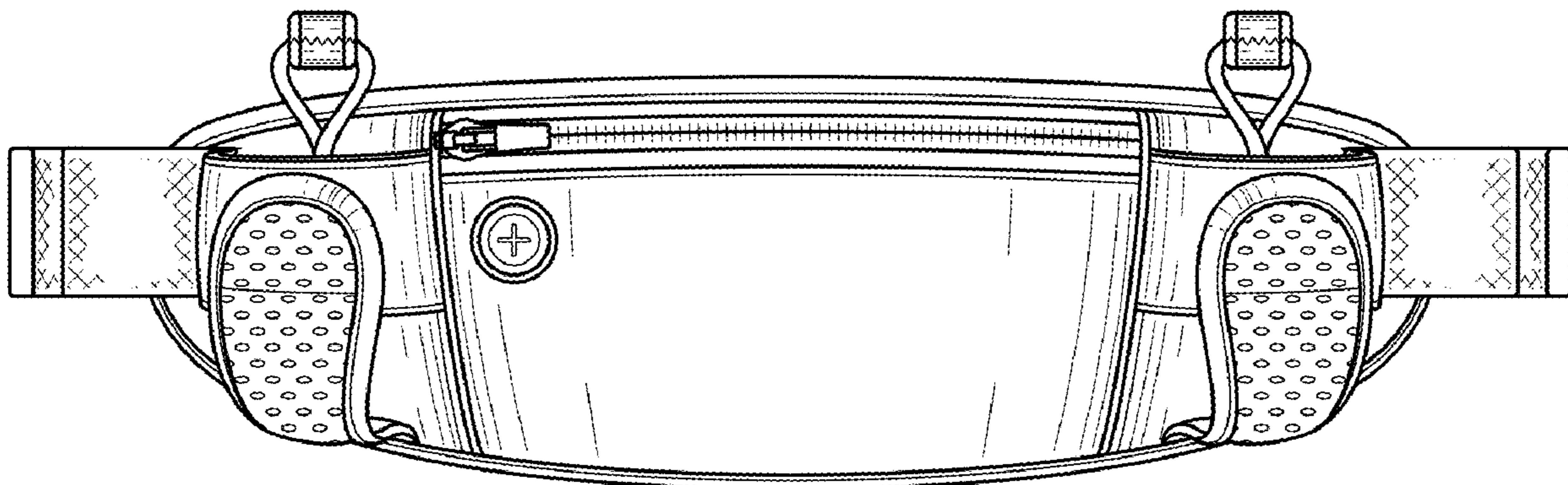
(57) **CLAIM**

The ornamental design for a running belt, as shown and described.

DESCRIPTION

FIG. 1 is a perspective view of a running belt showing the new design;
FIG. 2 is a front view thereof;
FIG. 3 is a back view thereof;
FIG. 4 is a right side view thereof;
FIG. 5 is a left side view thereof;
FIG. 6 is a top view thereof; and,
FIG. 7 is a bottom view thereof.

1 Claim, 7 Drawing Sheets



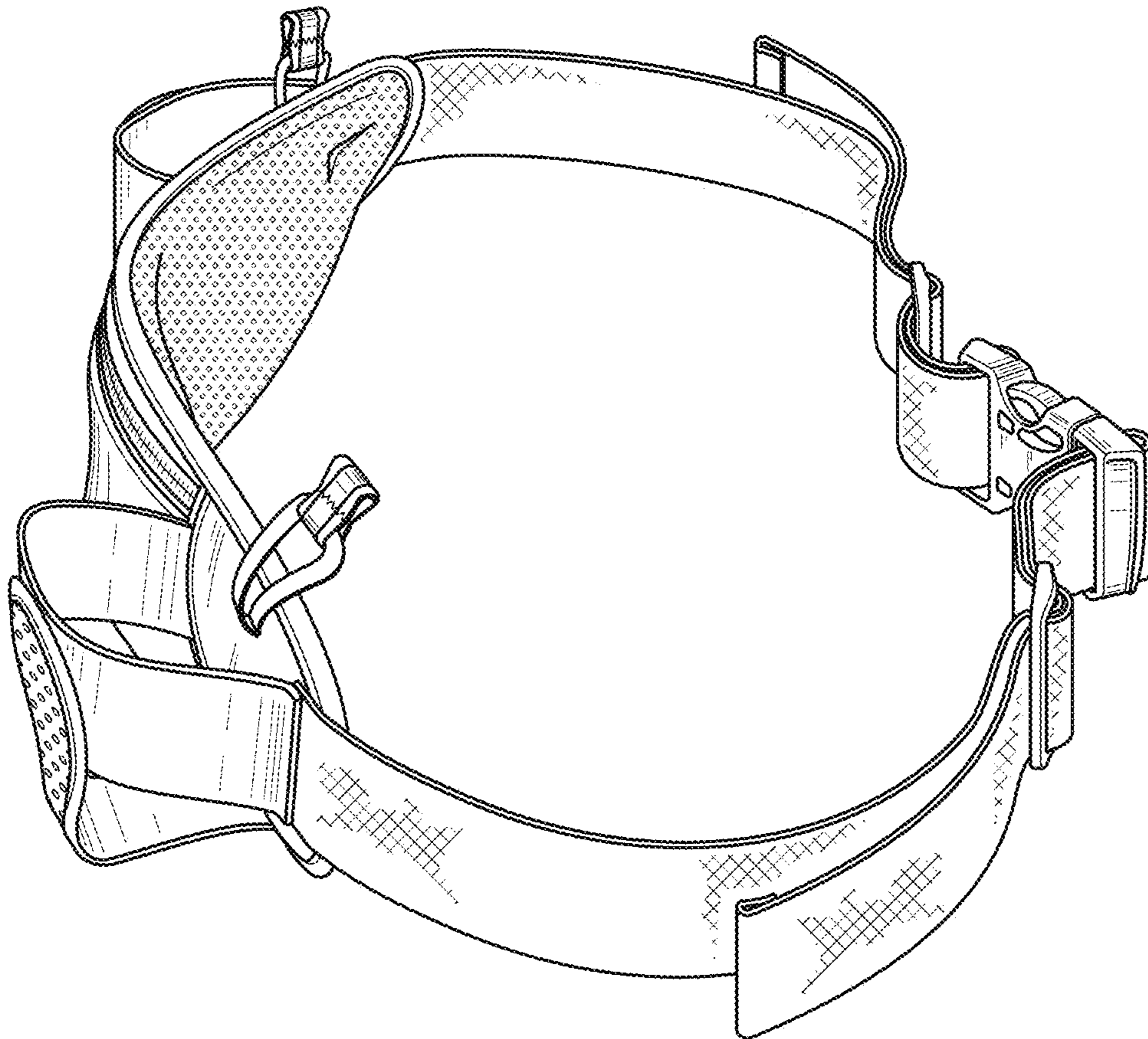


Fig. 1

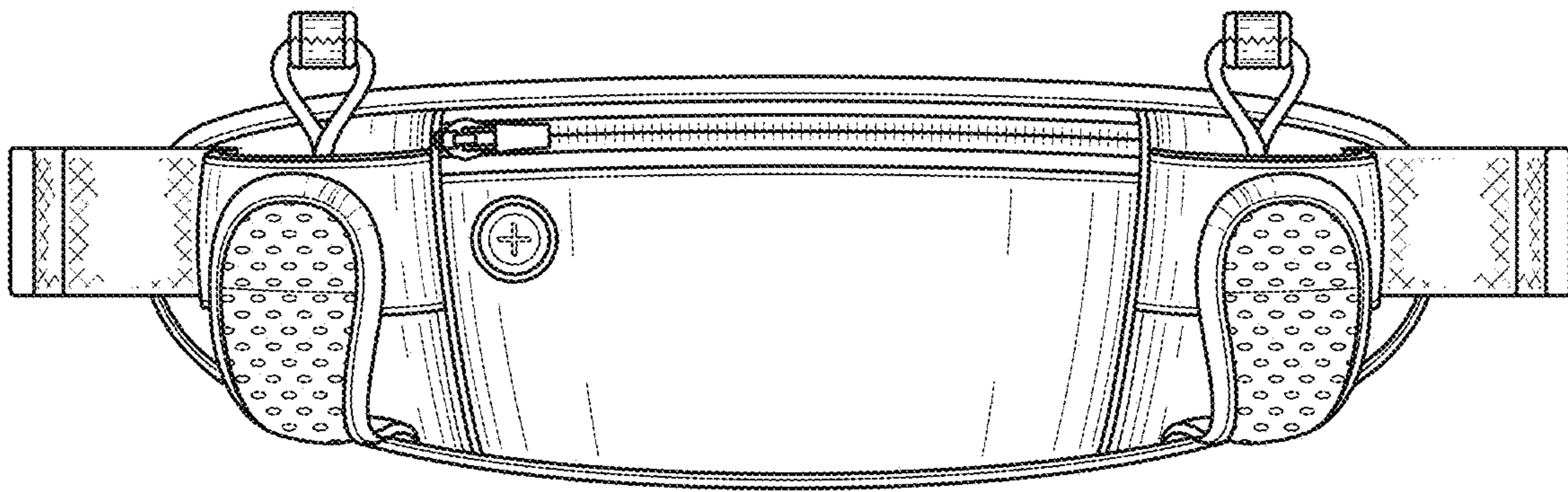


Fig. 2

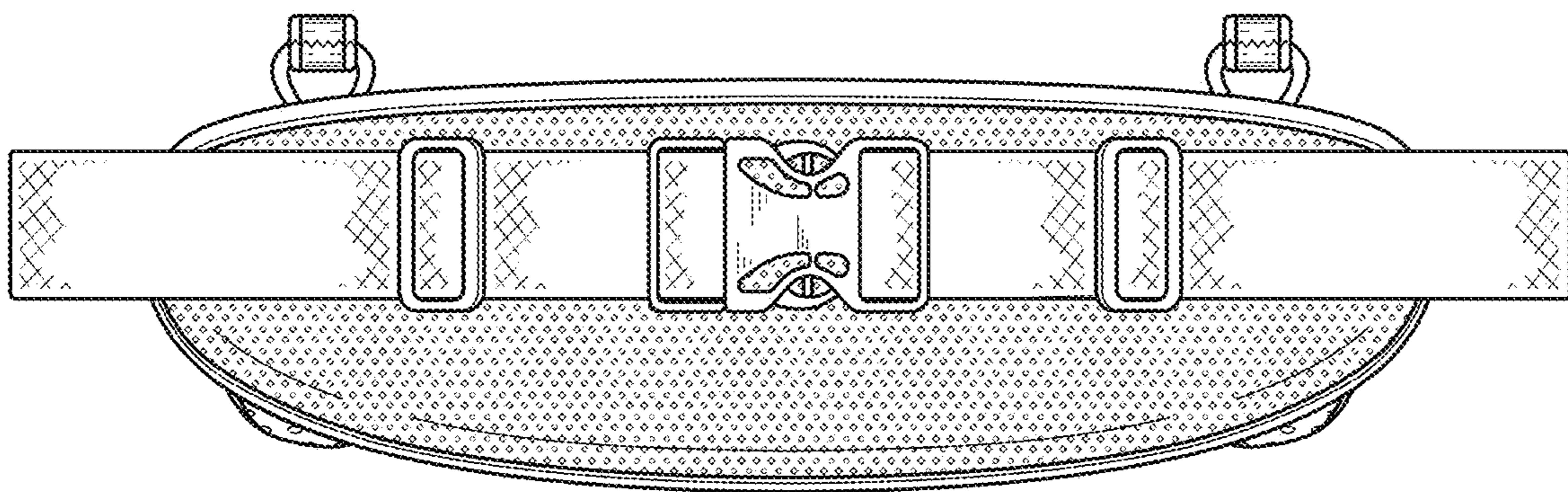


Fig. 3

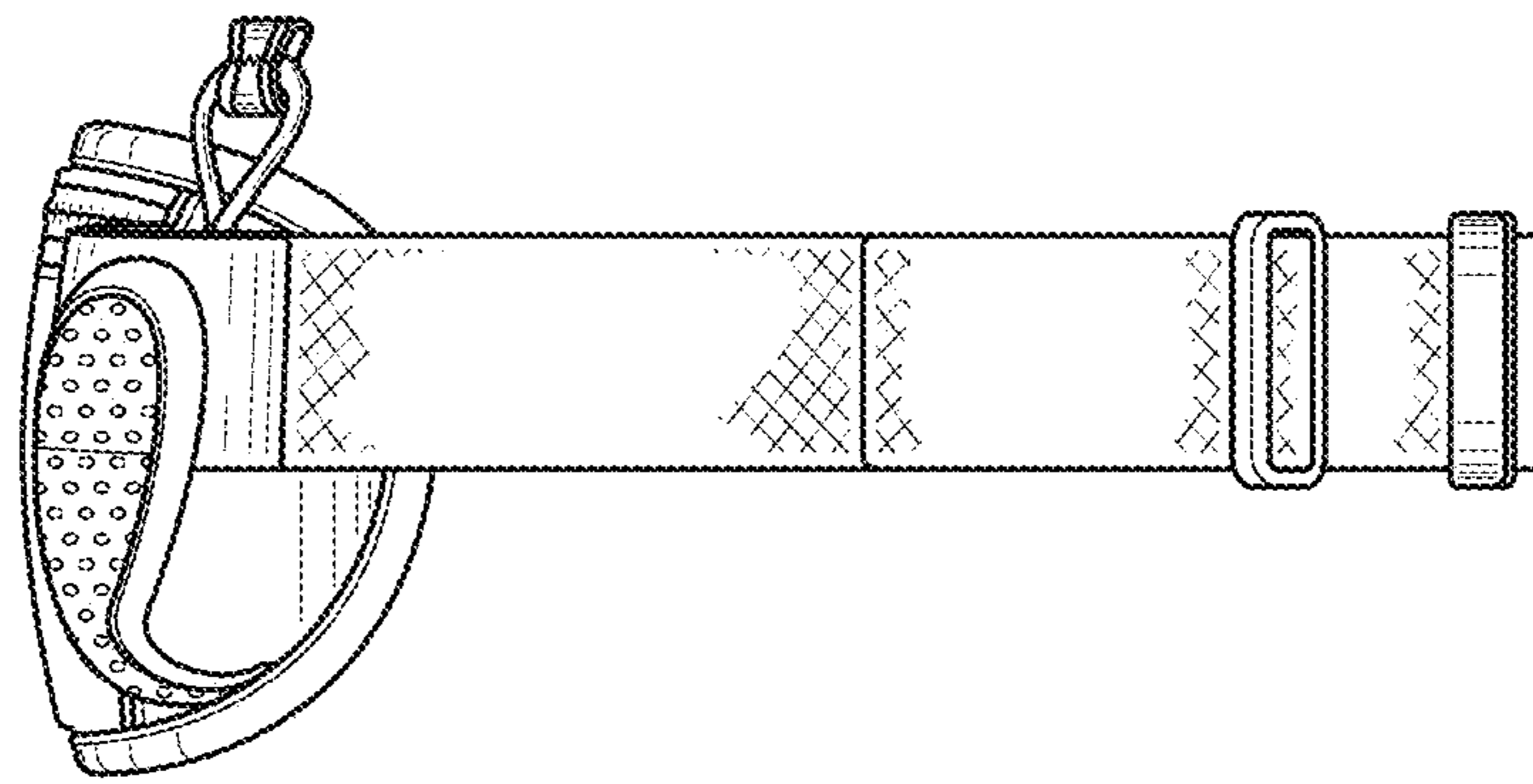


Fig. 4

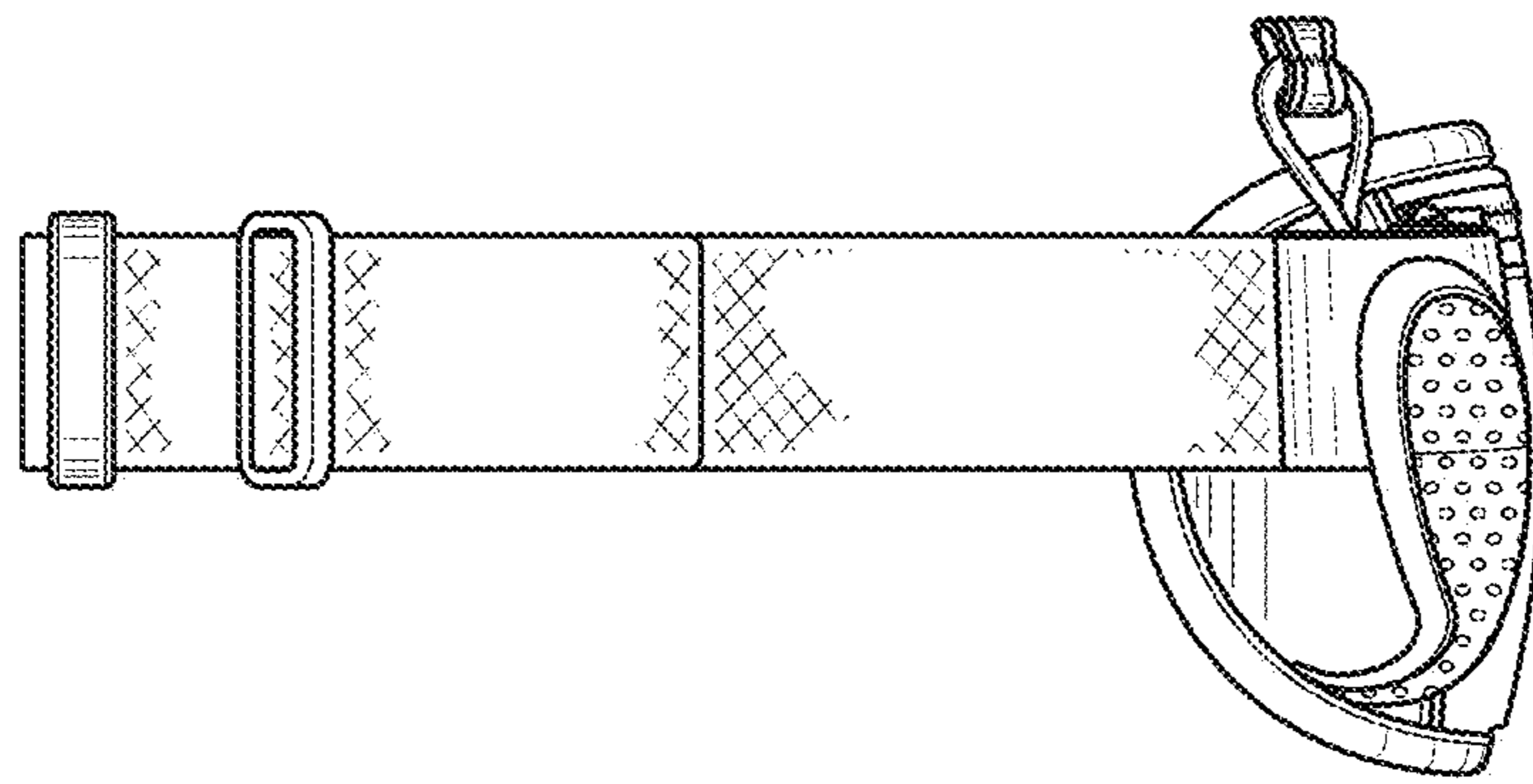


Fig. 5

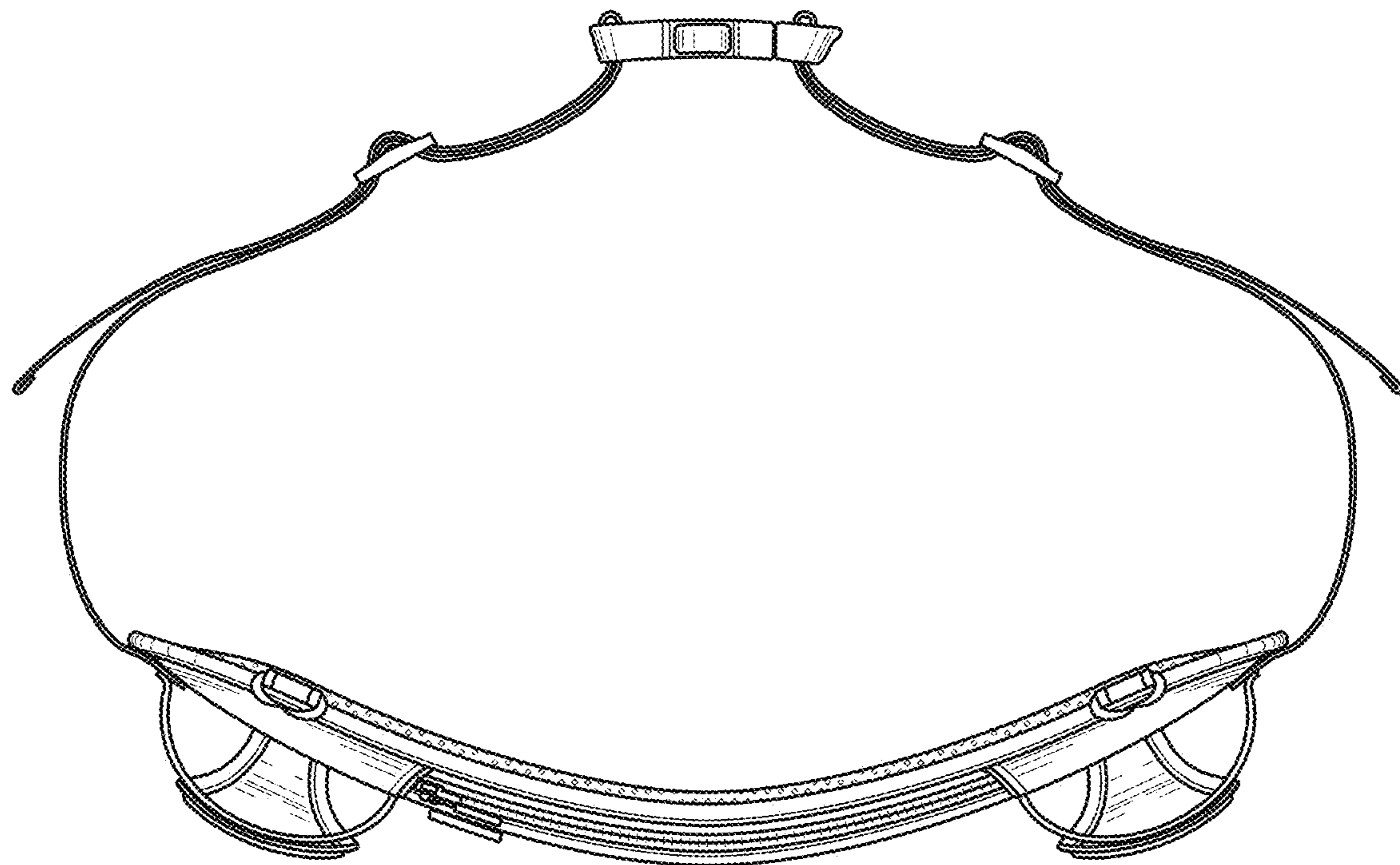


Fig. 6

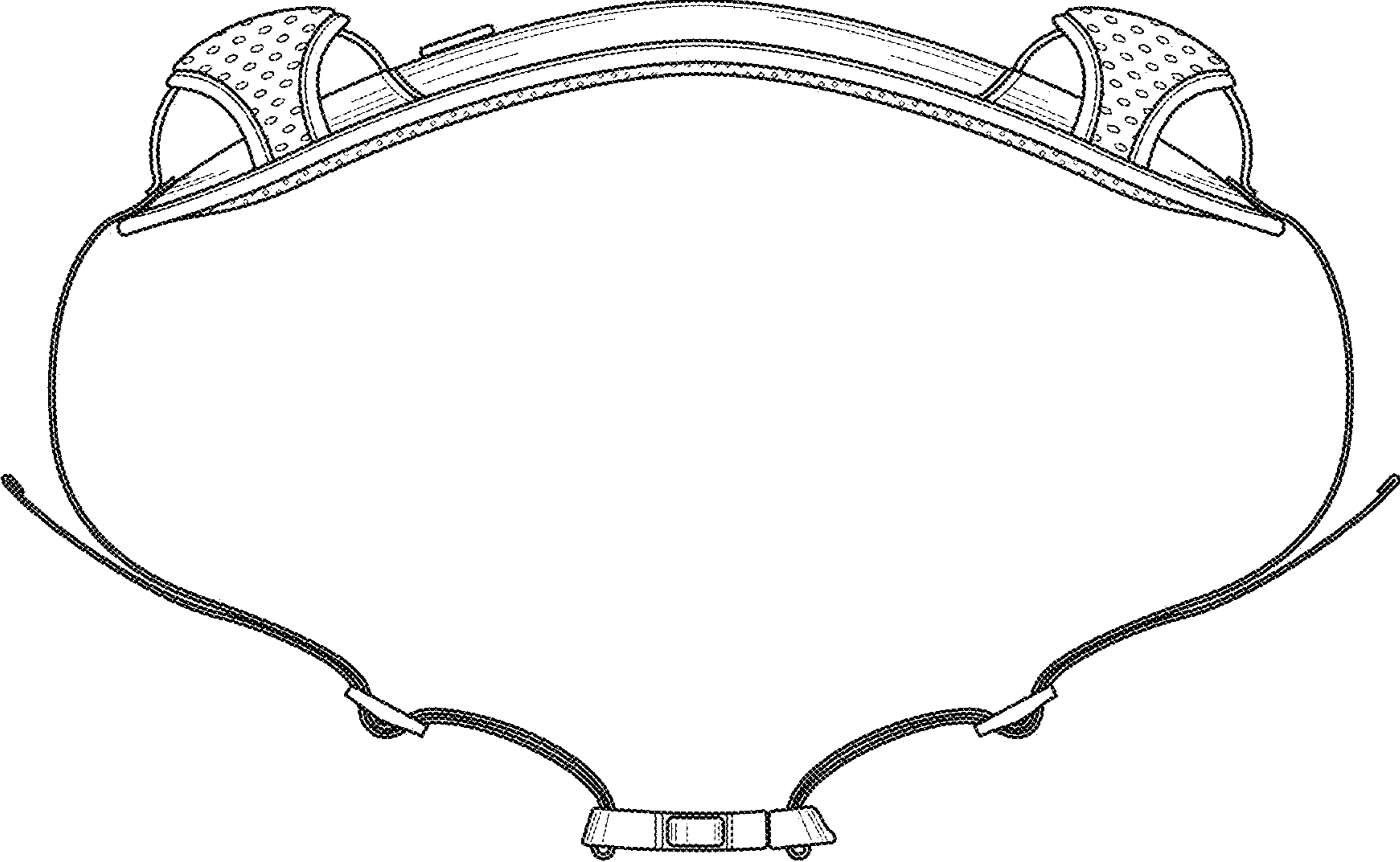


Fig. 7