



US00D880848S

(12) **United States Design Patent**  
**Hu**

(10) **Patent No.:** **US D880,848 S**  
(45) **Date of Patent:** **\*\* Apr. 14, 2020**

(54) **BACKPACK**

(71) Applicant: **Guangzhou Qiantonghui Trading Co., Ltd.**, Guangzhou, Guangdong (CN)

(72) Inventor: **Hui Hu**, Guangzhou (CN)

(\*\*) Term: **15 Years**

(21) Appl. No.: **29/704,651**

(22) Filed: **Sep. 6, 2019**

(51) **LOC (12) Cl.** ..... **03-01**

(52) **U.S. Cl.**  
USPC ..... **D3/217**

(58) **Field of Classification Search**  
USPC ..... D3/201, 213–219, 221, 224, 225, 229,  
D3/230, 232, 243–246, 254, 318  
CPC ..... A45F 3/04; A45F 3/047; A45F 2003/045;  
A45F 3/00; A45F 4/02; A47D 13/086;  
A47D 1/00; A63H 3/005; A63H 3/02  
See application file for complete search history.

(56) **References Cited**

**U.S. PATENT DOCUMENTS**

D355,758 S \* 2/1995 Poire ..... D3/217  
D438,700 S \* 3/2001 Willingham ..... A45F 3/04  
D3/216  
6,769,585 B2 \* 8/2004 Santaniello ..... A45C 13/08  
190/109  
D734,024 S \* 7/2015 Garcia ..... D3/216

D809,784 S \* 2/2018 Lee ..... D3/217  
D809,785 S \* 2/2018 Lee ..... D3/217  
D811,080 S \* 2/2018 Lee ..... D3/217  
D857,376 S 8/2019 Thibadeau  
2002/0166881 A1 \* 11/2002 Willingham ..... A45C 7/0095  
224/652

\* cited by examiner

*Primary Examiner* — Jennifer L Watkins

(74) *Attorney, Agent, or Firm* — Jie Yang; ZANIP

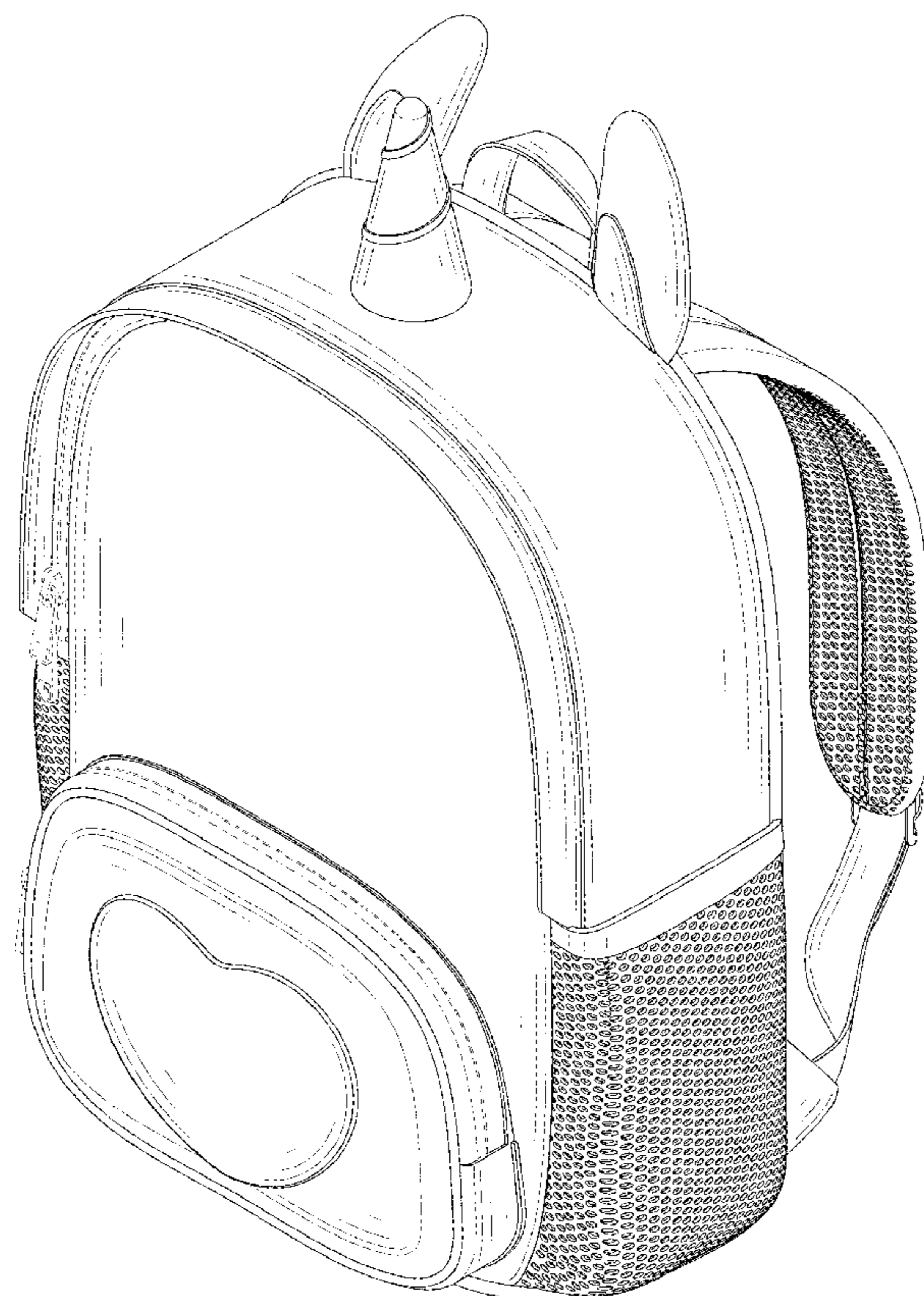
(57) **CLAIM**

The ornamental design for a backpack, as shown and described.

**DESCRIPTION**

FIG. 1 is a front and top perspective view of a backpack, showing my new design;  
FIG. 2 is a rear and top perspective view thereof;  
FIG. 3 is a front elevational view thereof;  
FIG. 4 is a rear elevational view thereof;  
FIG. 5 is a left side elevational view thereof;  
FIG. 6 is a right side elevational view thereof;  
FIG. 7 is a top plan view thereof;  
FIG. 8 is a bottom plan view thereof; and,  
FIG. 9 is an enlarged view of a portion indicated in FIG. 2. The broken lines in the figures illustrate portions of the backpack that form no part of the claimed design. The dash dot dash lines in FIGS. 2 and 9 are for the purpose of depicting the cut line of the enlarged view and form no part of the claim.

**1 Claim, 9 Drawing Sheets**



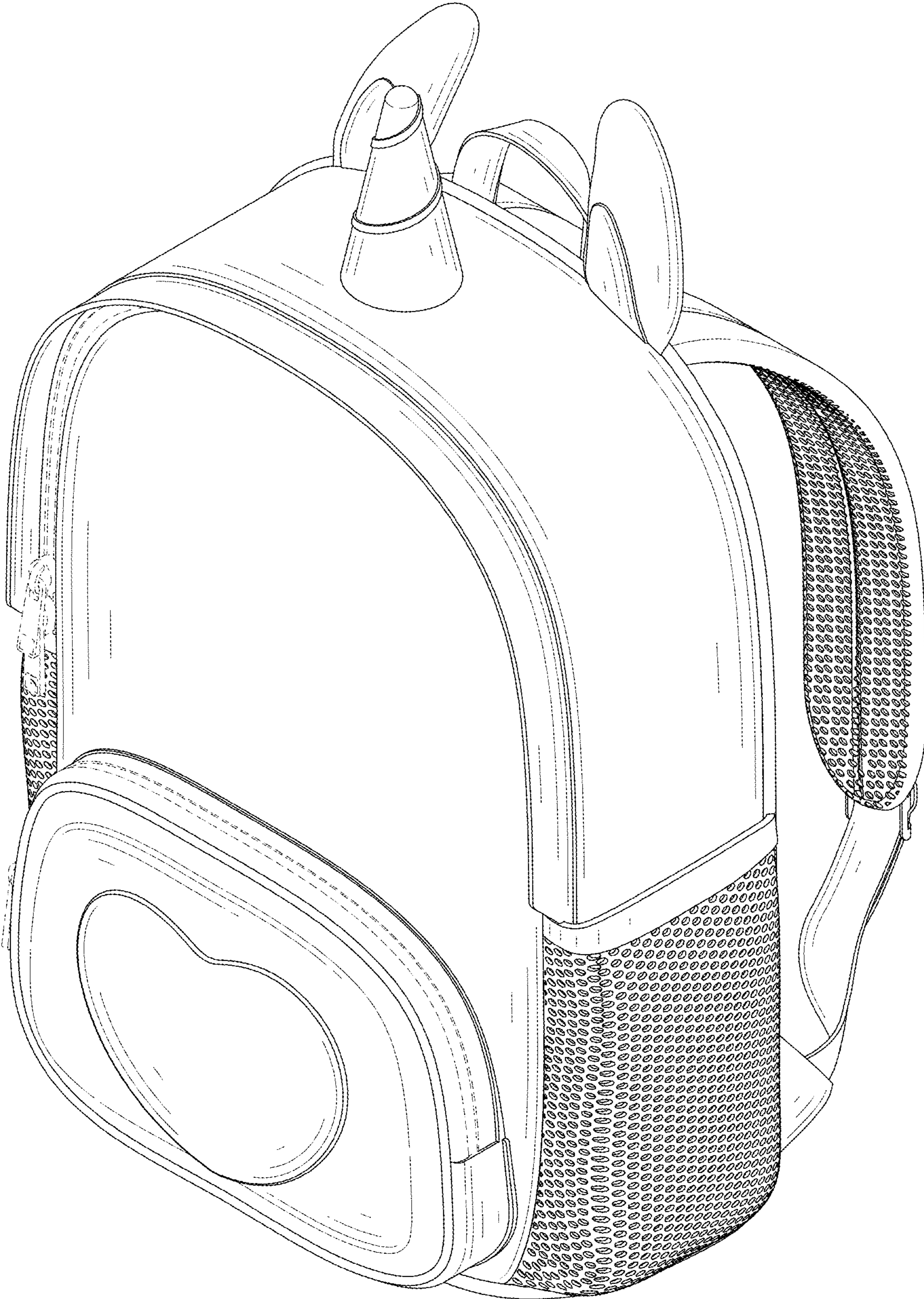


FIG. 1

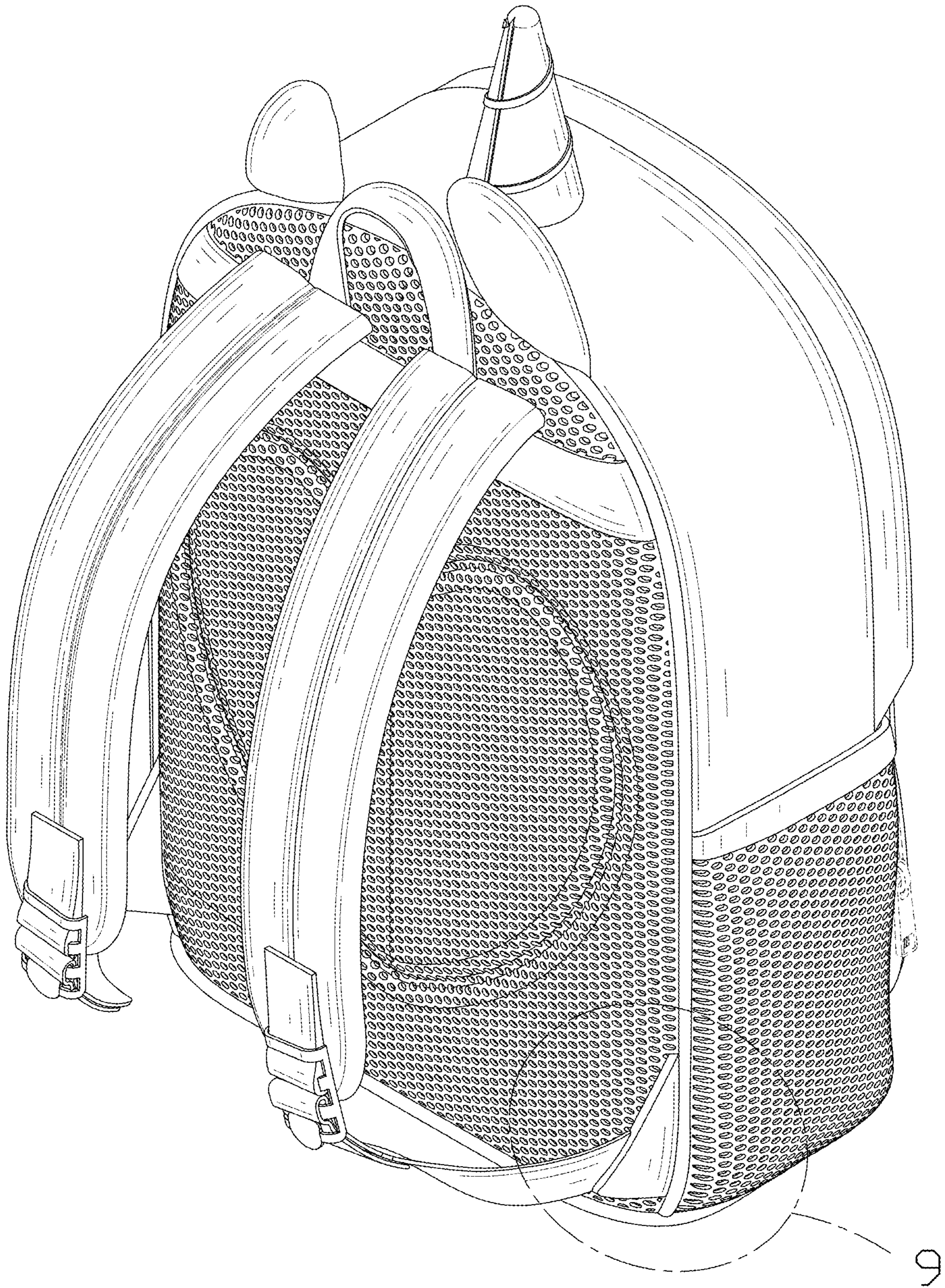


FIG. 2

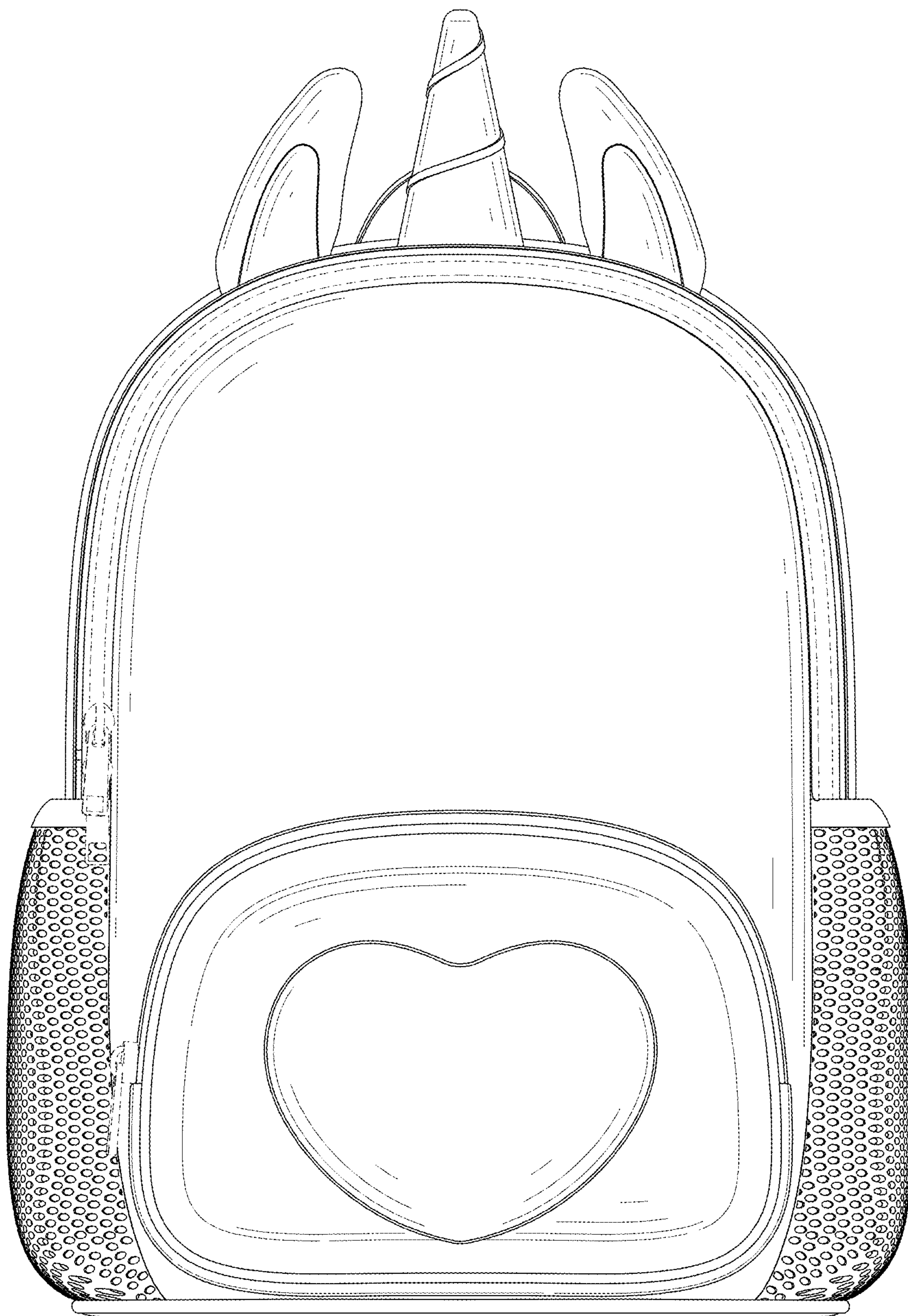


FIG. 3

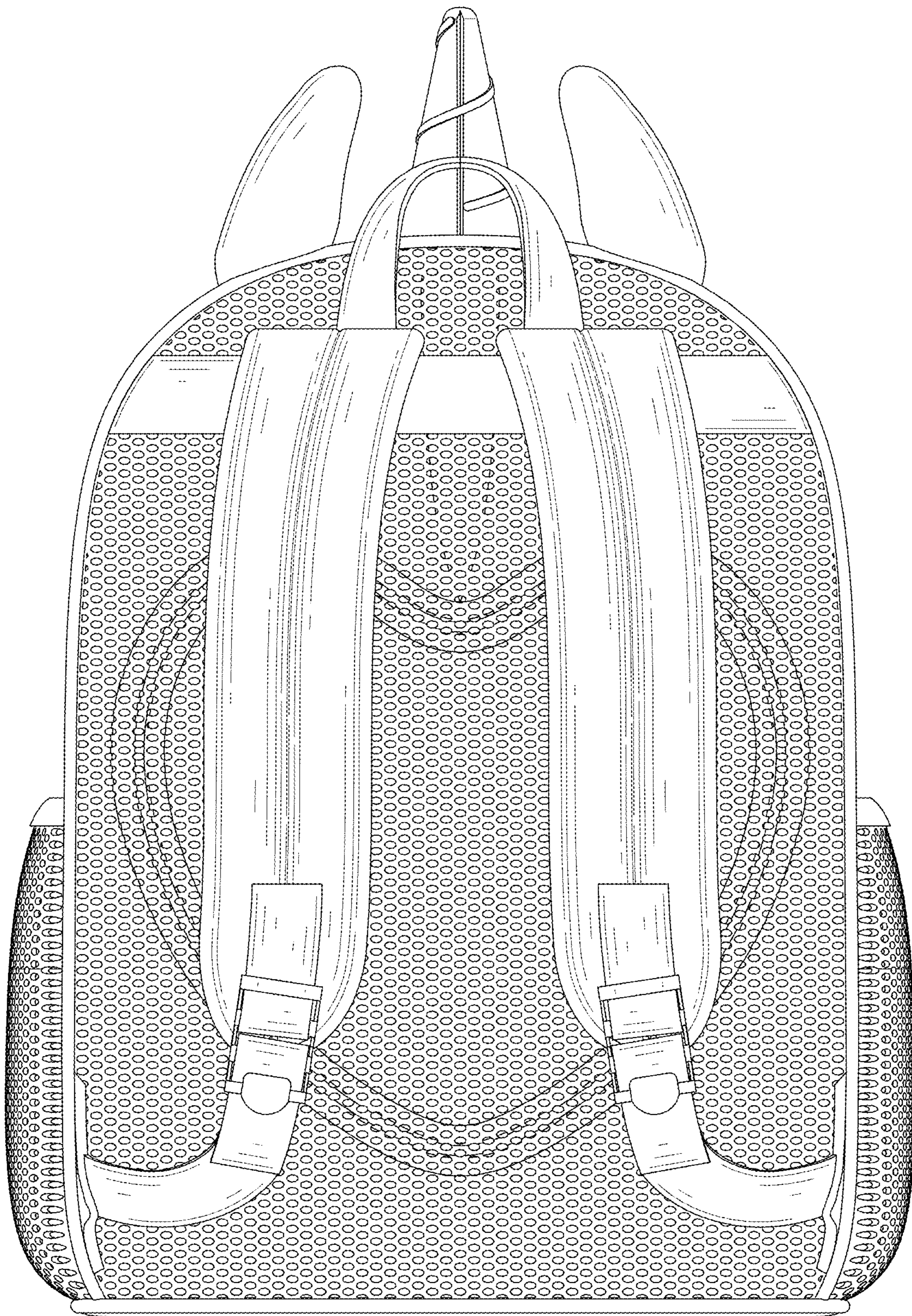


FIG. 4

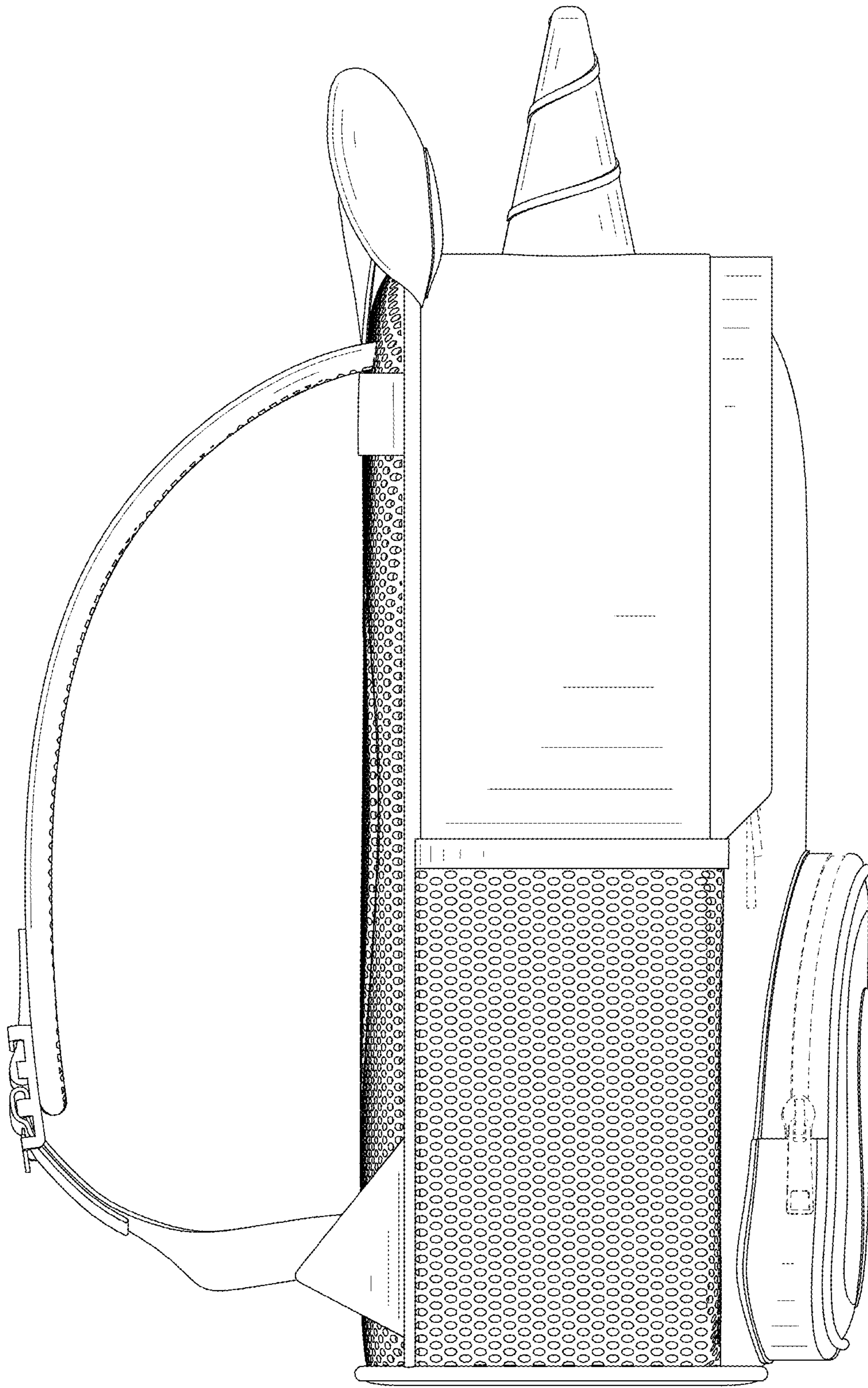


FIG. 5

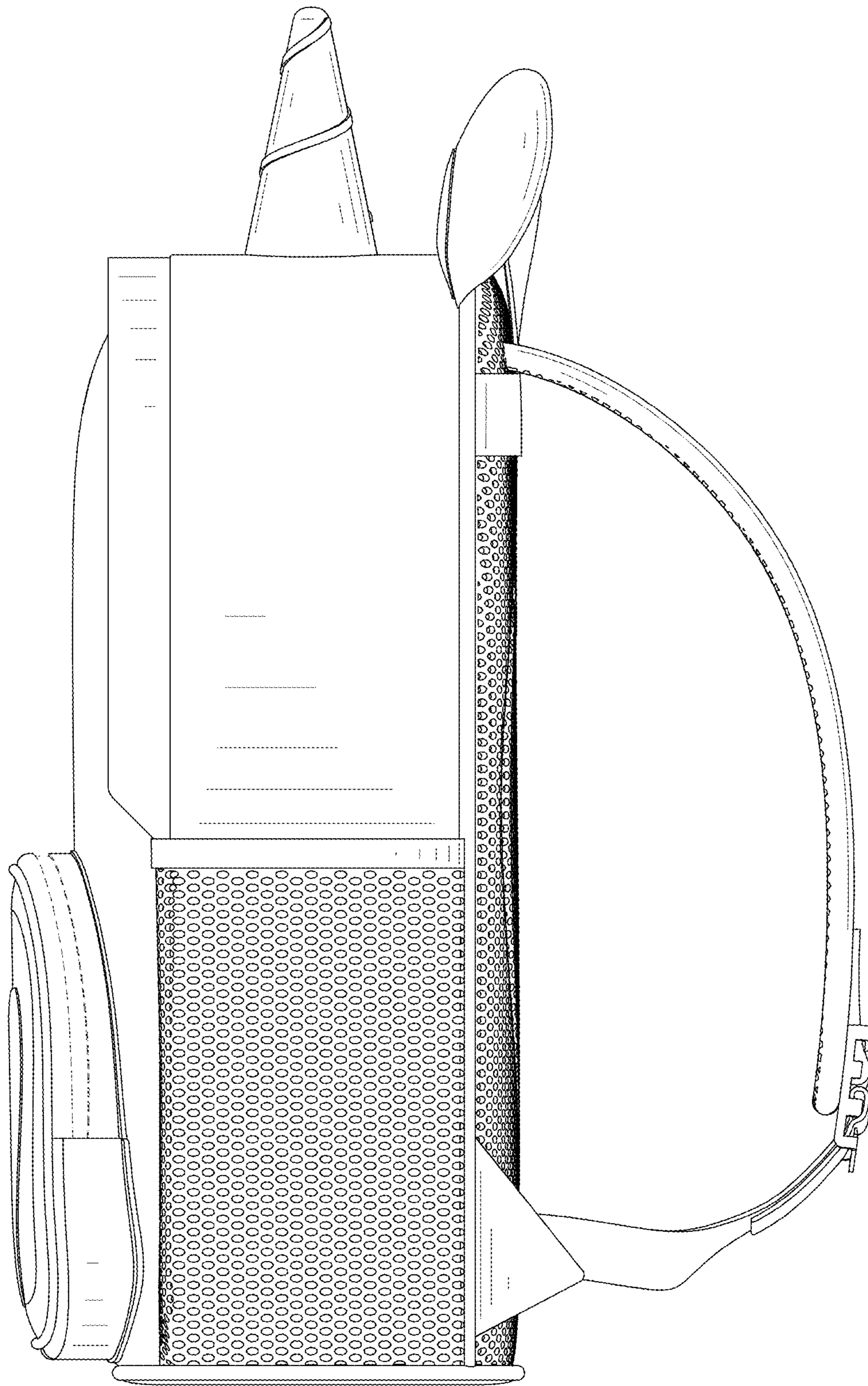


FIG. 6

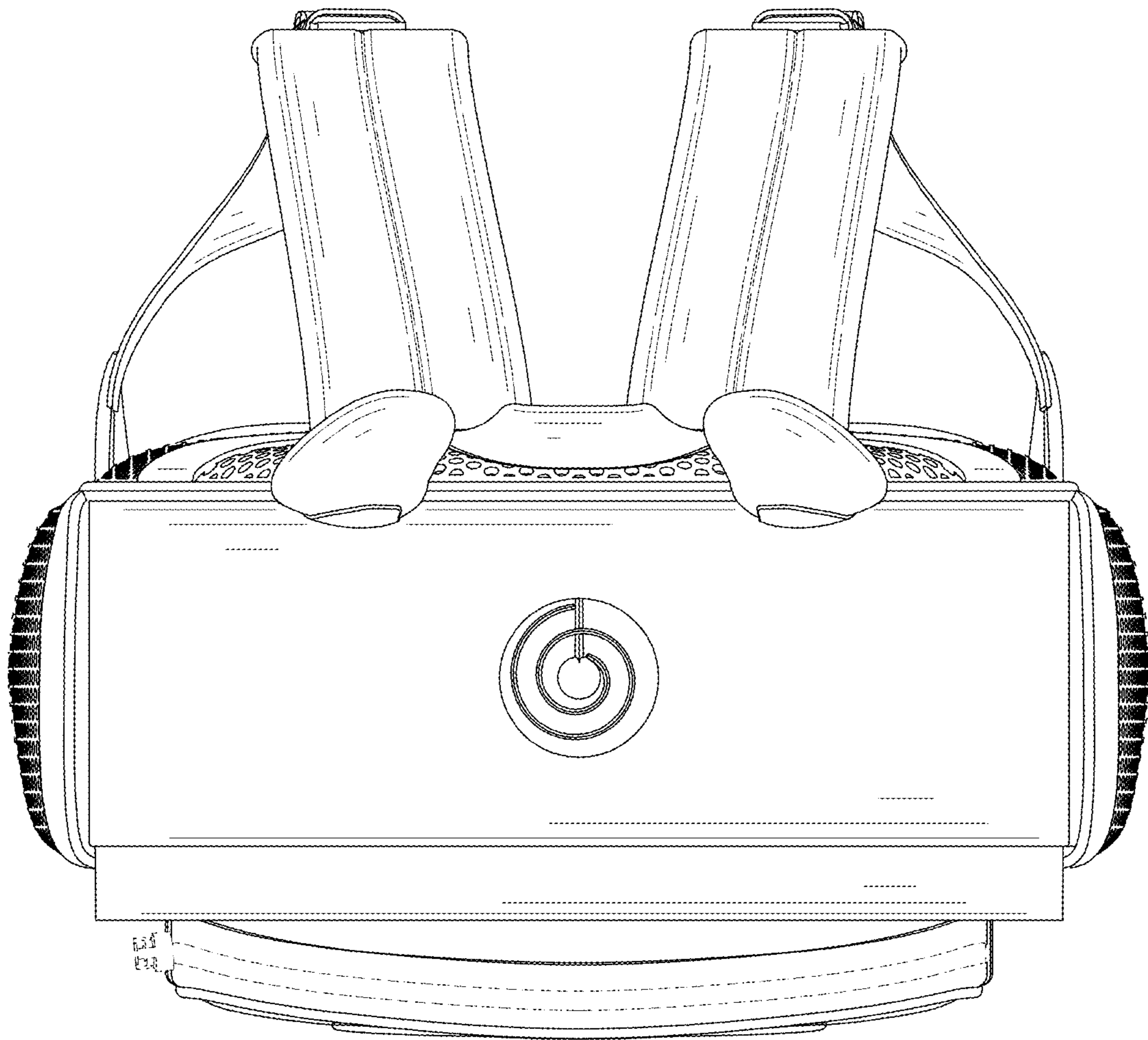


FIG. 7



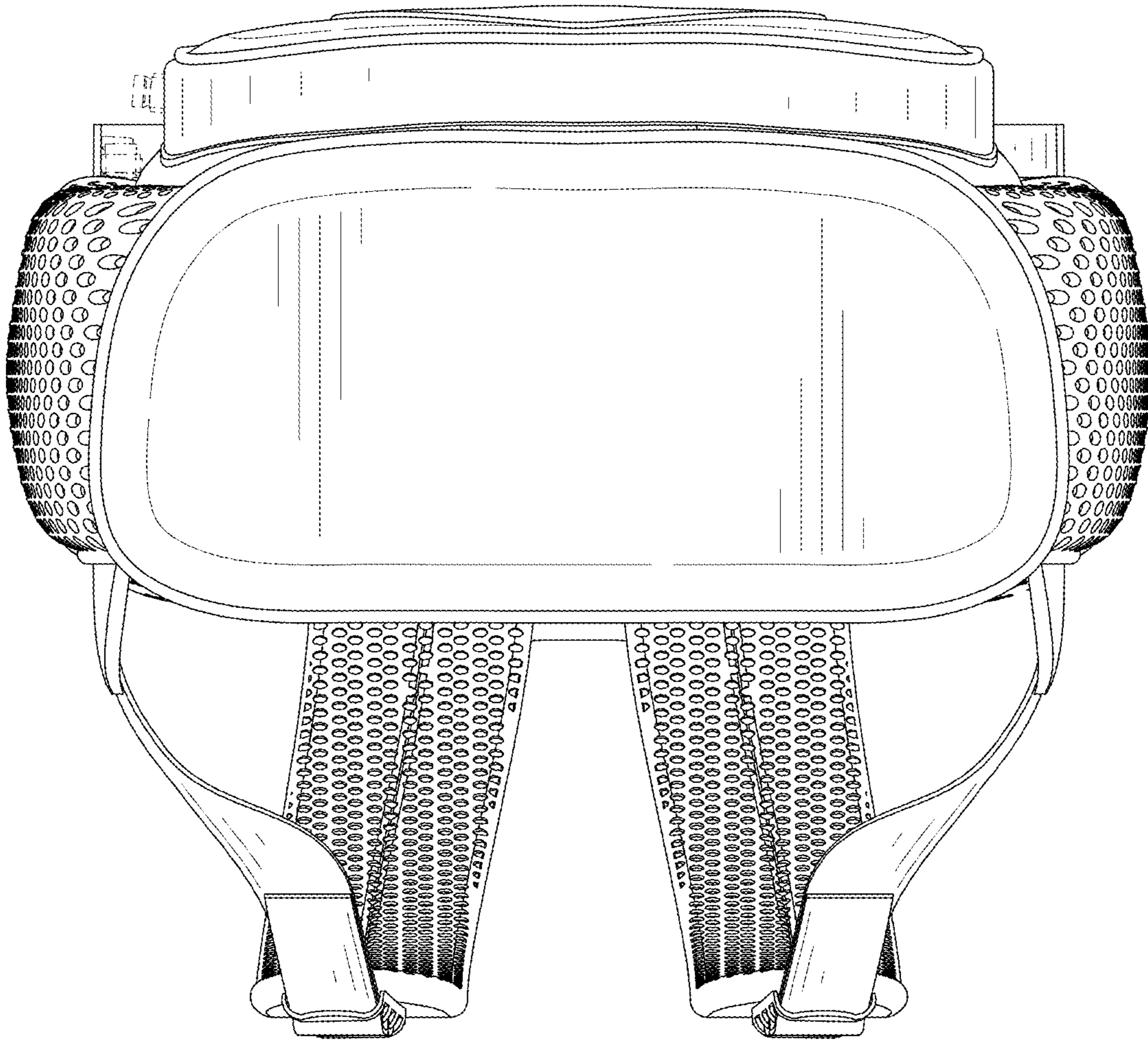


FIG. 8

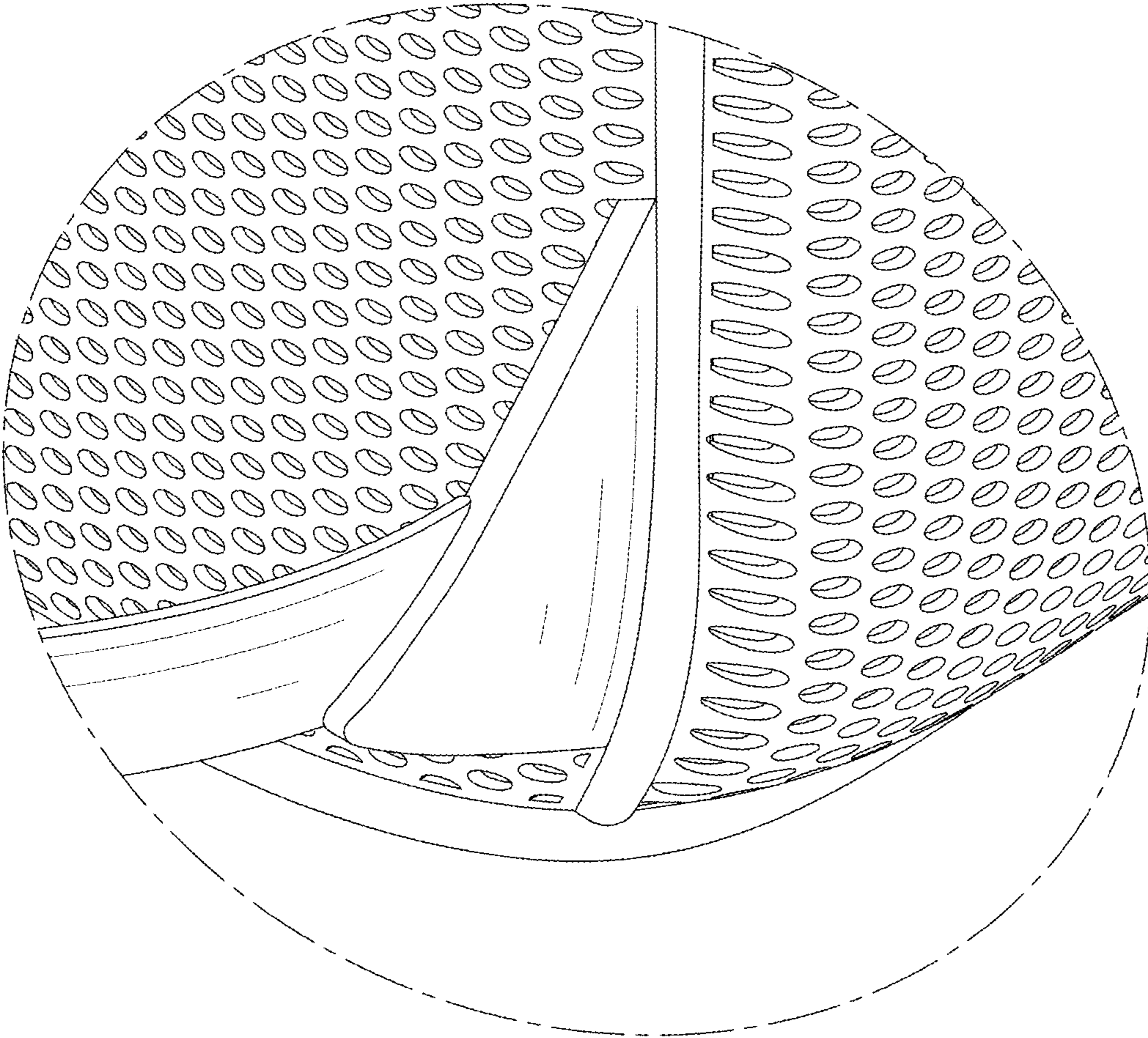


FIG. 9