



US00D880847S

(12) **United States Design Patent**
Huang

(10) **Patent No.:** **US D880,847 S**

(45) **Date of Patent:** **** Apr. 14, 2020**

(54) **DIAPER BAG**

(71) Applicant: **Wubin Huang**, Guangdong (CN)

(72) Inventor: **Wubin Huang**, Guangdong (CN)

(**) Term: **15 Years**

(21) Appl. No.: **29/697,439**

(22) Filed: **Jul. 9, 2019**

(51) **LOC (12) Cl.** **03-01**

(52) **U.S. Cl.**
USPC **D3/217**

(58) **Field of Classification Search**
USPC D3/201, 215, 216–217, 213–214,
D3/232–233, 240–243, 245–246, 273,
D3/276, 289, 294, 301, 302, 303, 318

CPC A45C 1/024; A45C 3/06

See application file for complete search history.

B07G1S17KG/ref=sr_1_6?crd=3MZGEGYQ1UD3G&keywords=diaper+bag+backpack&qid=1568685164&sprefix=diaper+bag%2Caps%2C269&sr=8-6.*

Skip Hop, “Skip Hop Forma Changing Backpack, Jet Black” First Available Skip Hop Forma Changing Backpack, Jet Black; https://www.amazon.co.uk/Skip-Hop-Forma-Changing-Backpack/dp/B0731TBBWF/ref=sr_1_18?crd=3MZGEGYQ1UD3G&keywords=diaper+bag+backpack&qid=1568685410&sprefix=diaper+bag%2Caps%2C269&sr=8-18.*

* cited by examiner

Primary Examiner — Holly E Thurman

(74) *Attorney, Agent, or Firm* — KA Filing LLC; Wayne V. Harper

(57) **CLAIM**

I claim the ornamental design for a diaper bag, as shown and described.

(56) **References Cited**

U.S. PATENT DOCUMENTS

D158,428 S *	5/1950	Zwingenberger	D10/132
D742,631 S *	11/2015	Kim	D3/217
D771,373 S *	11/2016	Kim	D3/217
D841,318 S *	2/2019	Carter	D3/217
D850,784 S *	6/2019	Sassi	D3/217
2003/0164321 A1 *	9/2003	Ukitsu	A45C 7/0086
				206/581
2019/0082817 A1 *	3/2019	Ji	A45F 4/02

FOREIGN PATENT DOCUMENTS

EP 000514203-0004 7/2006

OTHER PUBLICATIONS

“Changing Bag Backpack”, First Available Jul. 30, 2018, <https://www.amazon.co.uk/Changing-Backpack-Baby-Diaper-Nappy/dp/>

DESCRIPTION

FIG. 1 is a Perspective view of a diaper bag showing my new design;

FIG. 2 is a Front view of the diaper bag as shown in FIG. 1; FIG. 3 is a Back view of the diaper bag as shown in FIG. 1; FIG. 4 is a Left-side view of the diaper bag as shown in FIG. 1;

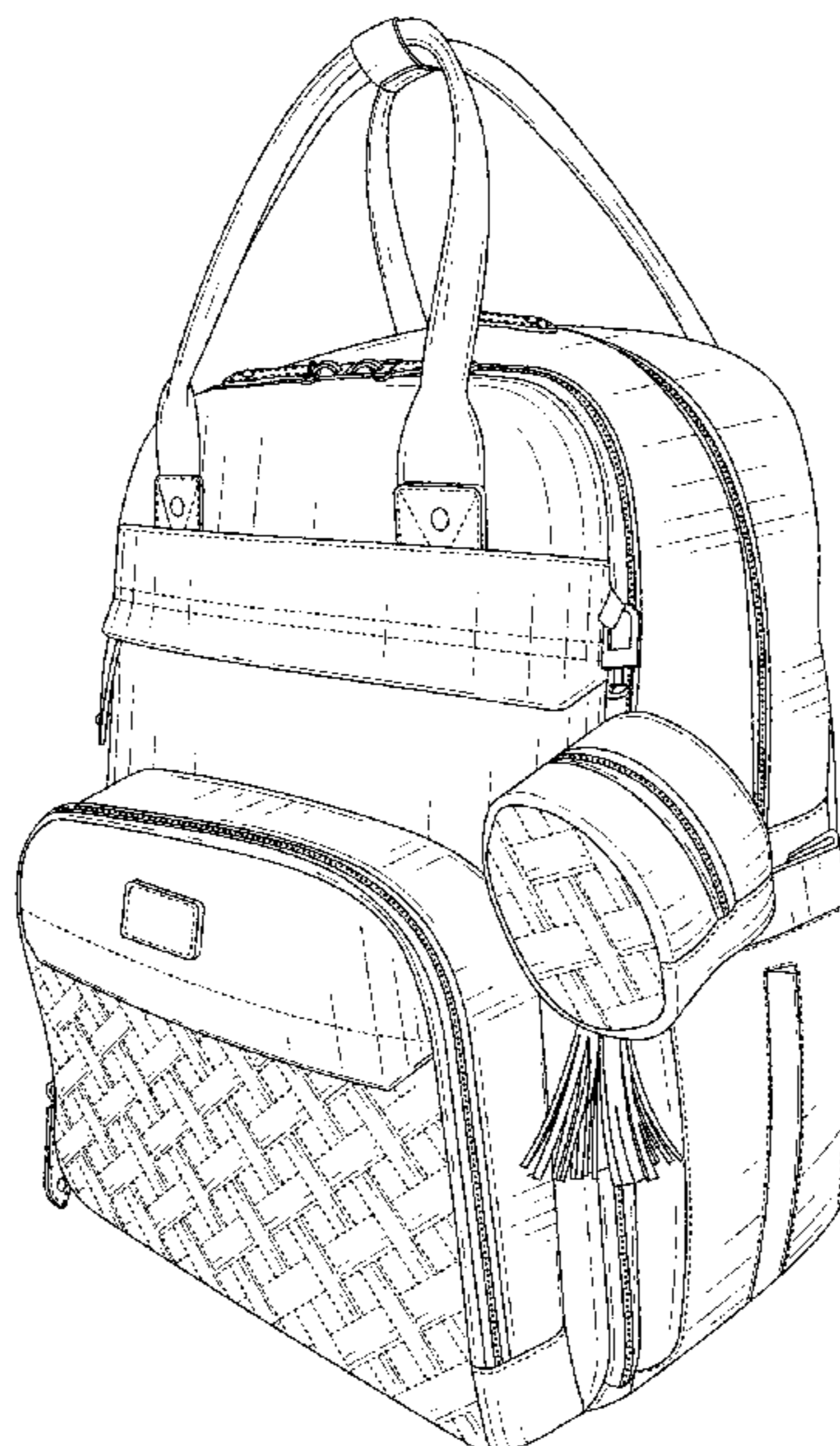
FIG. 5 is a Right-side view of the diaper bag as shown in FIG. 1;

FIG. 6 is a Top view of the diaper bag as shown in FIGS. 1; and,

FIG. 7 is a Bottom view of the diaper bag as shown in FIG. 1.

The broken lines in the drawings depict thread stitching and forms part of the claimed design.

1 Claim, 7 Drawing Sheets



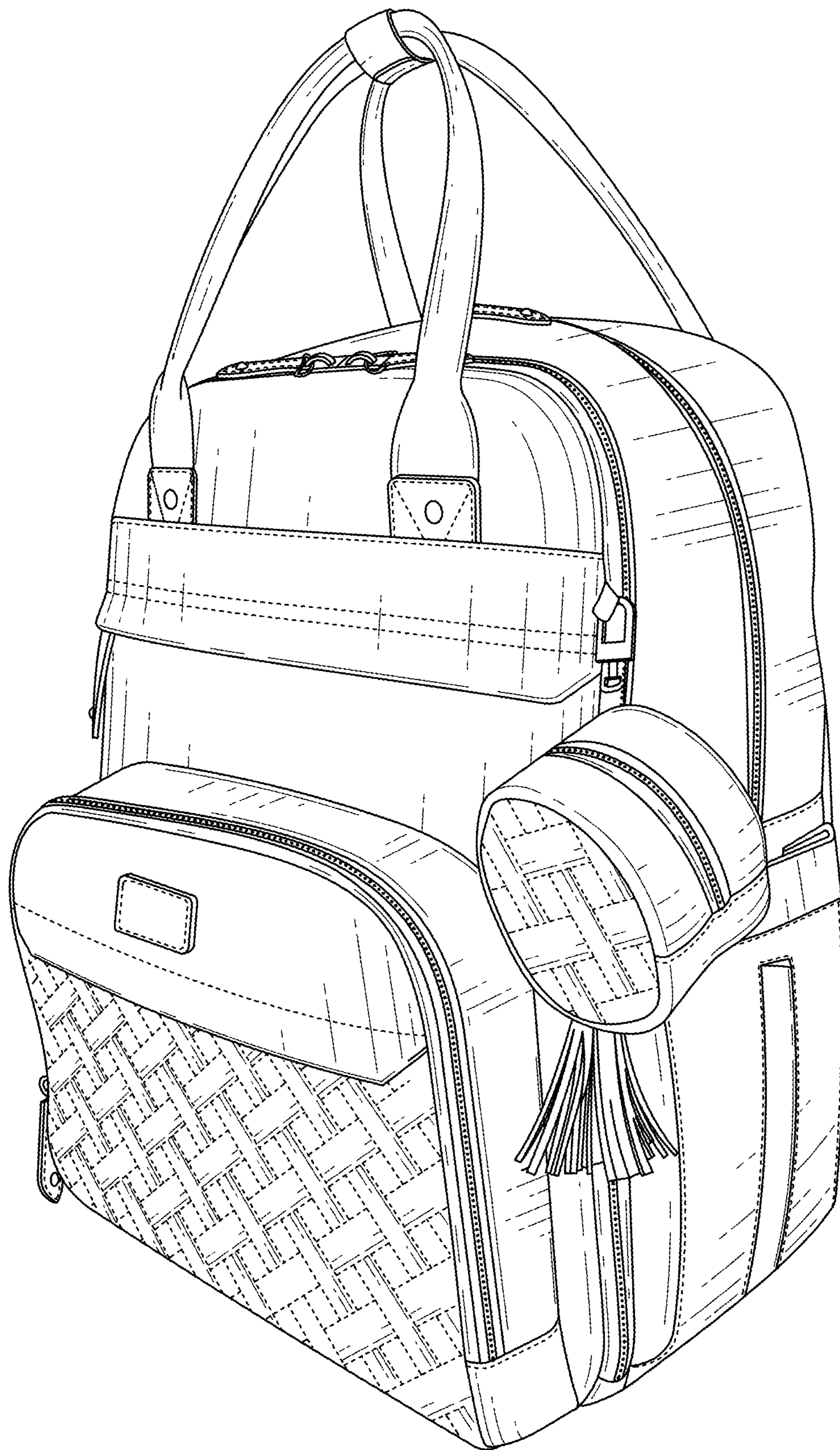


FIG. 1



FIG. 2

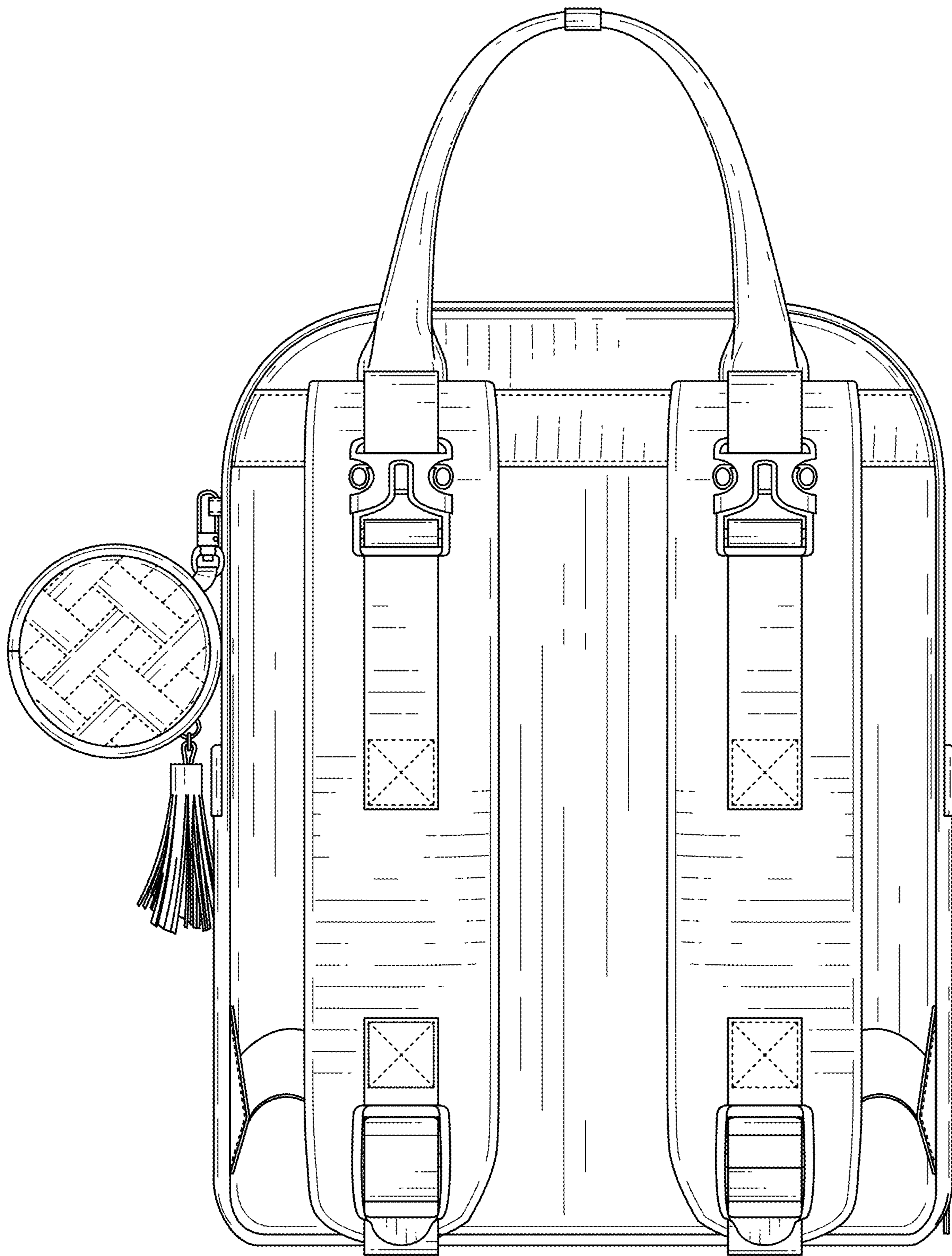


FIG. 3

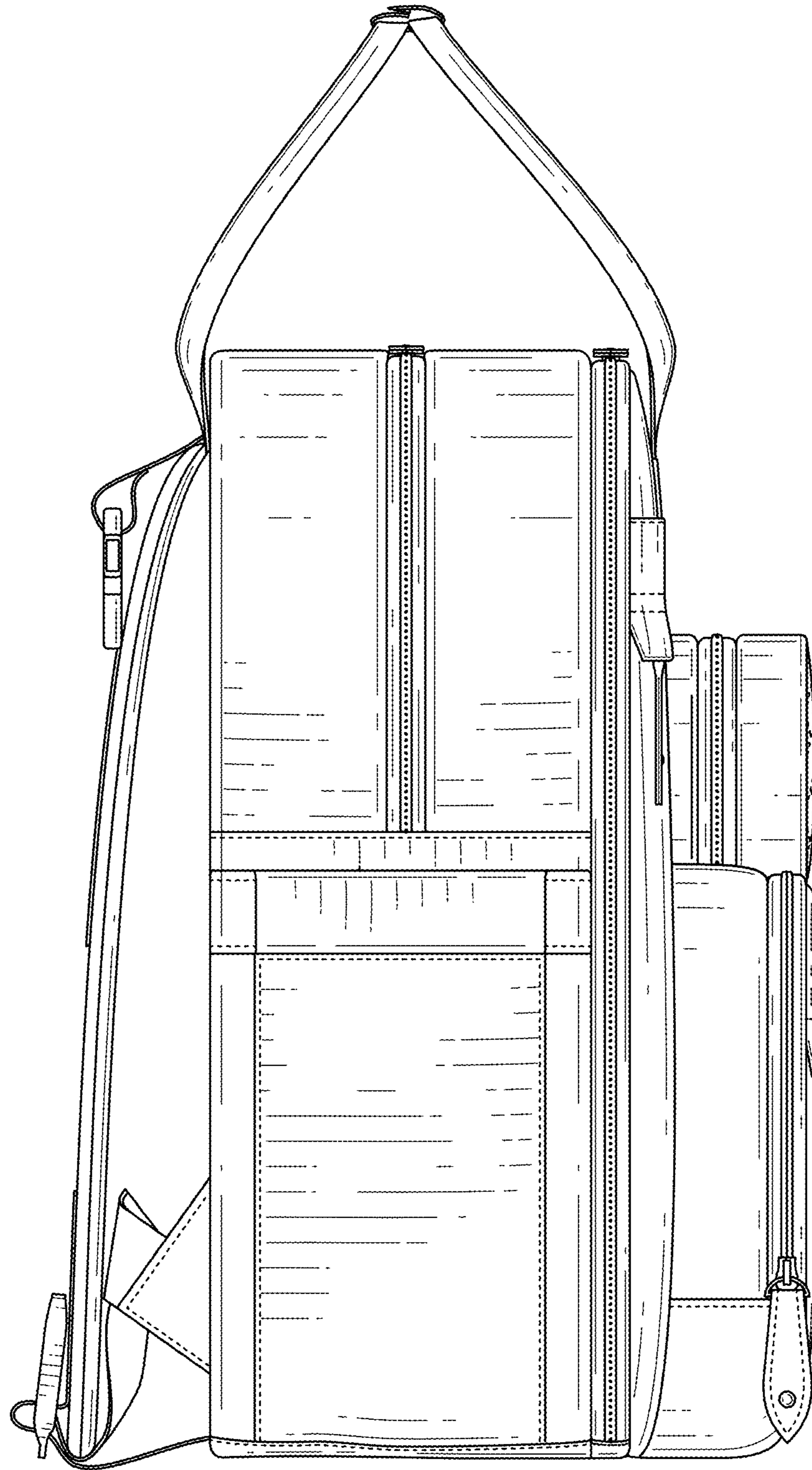


FIG. 4

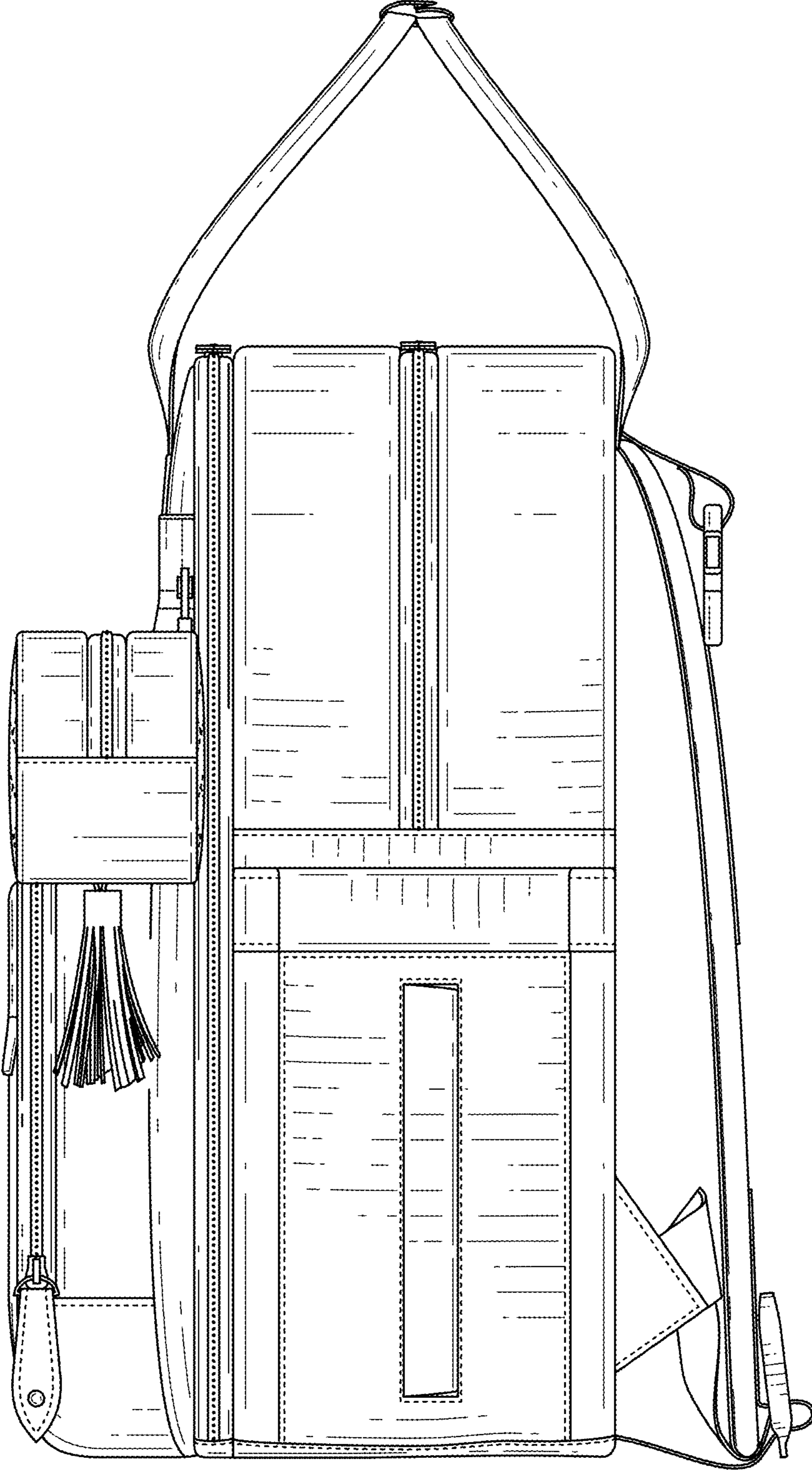


FIG. 5

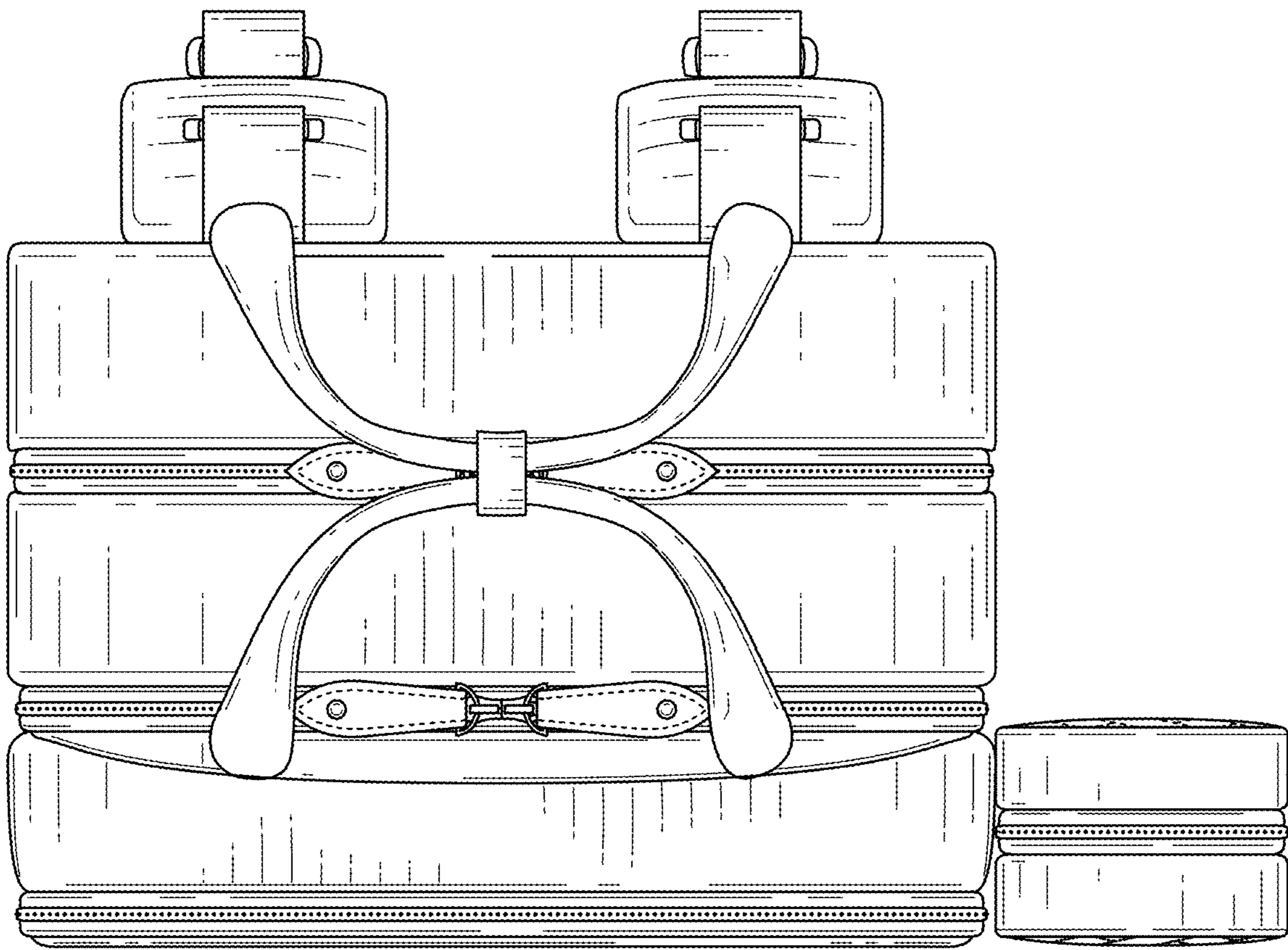


FIG. 6

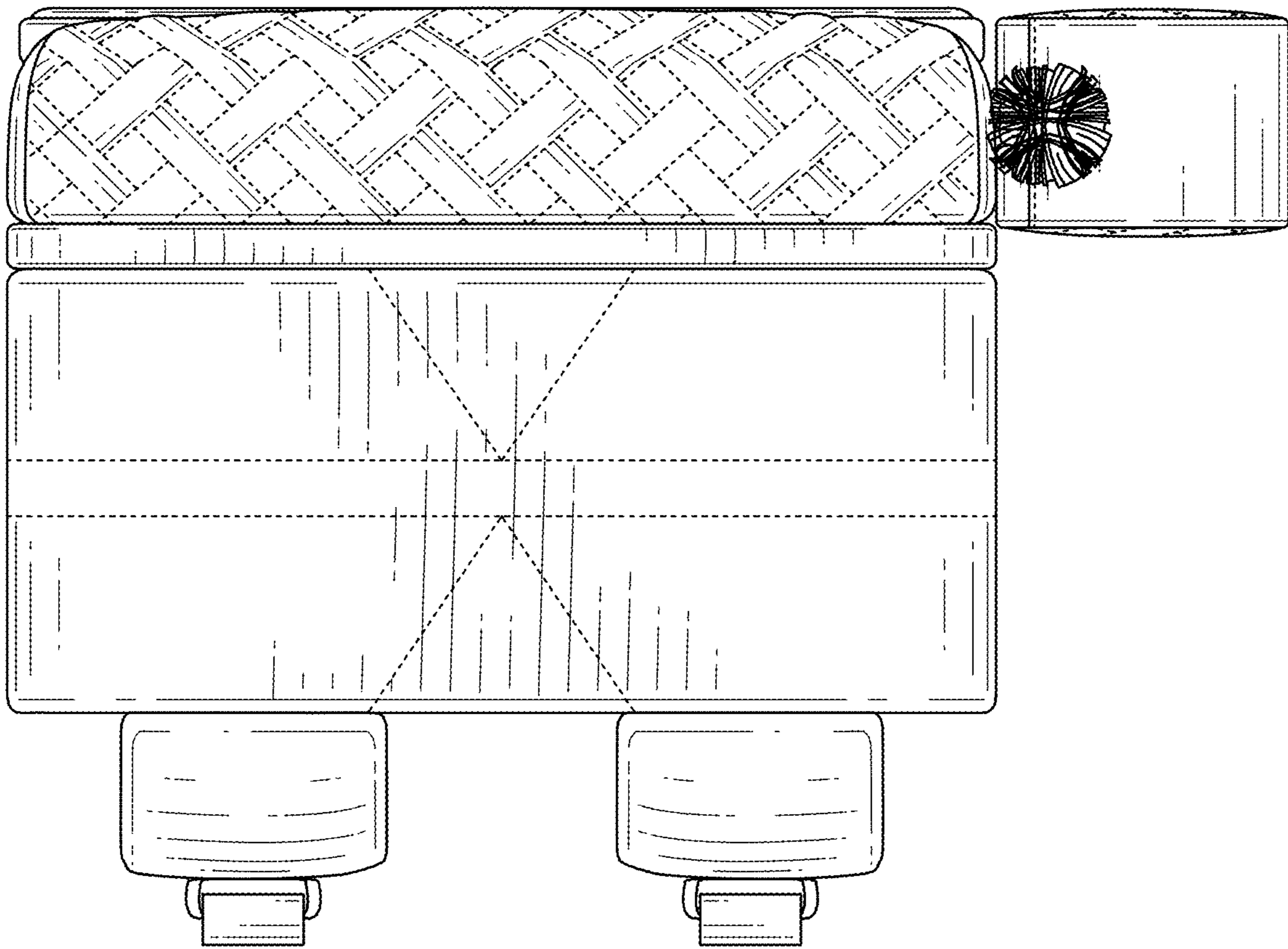


FIG. 7