



US00D880846S

(12) **United States Design Patent**  
**Aranbayev**

(10) **Patent No.:** **US D880,846 S**

(45) **Date of Patent:** **\*\* Apr. 14, 2020**

(54) **BACKPACK**

(71) Applicant: **Boris Aranbayev**, New York, NY (US)

(72) Inventor: **Boris Aranbayev**, New York, NY (US)

(\*\*) Term: **15 Years**

(21) Appl. No.: **29/653,380**

(22) Filed: **Jun. 14, 2018**

(51) **LOC (12) Cl.** ..... **03-01**

(52) **U.S. Cl.**  
USPC ..... **D3/217**

(58) **Field of Classification Search**

USPC ..... D3/201, 213–219, 221, 224, 225, 229,  
D3/230, 232, 243–246, 254, 318  
CPC ..... A45F 3/04; A45F 4/02; A45F 2200/0525;  
A45F 2003/045; A45C 11/00; A45C  
13/30; A45C 2011/002; A45C 2011/003;  
A45C 2011/001; A45C 15/00

See application file for complete search history.

(56) **References Cited**

**U.S. PATENT DOCUMENTS**

D506,864 S \* 7/2005 Fonfeder ..... D3/216  
D557,009 S \* 12/2007 Elmberg ..... D3/217  
8,123,581 B2 \* 2/2012 Aschauer ..... A63B 29/021  
116/210  
D674,591 S \* 1/2013 Hargens ..... D3/217  
D699,943 S \* 2/2014 Mather ..... D3/216  
D709,689 S \* 7/2014 Brunazzi ..... D3/217

D725,378 S \* 3/2015 Ford ..... D3/217  
D745,777 S \* 12/2015 Zwetzig ..... D3/217  
D759,369 S \* 6/2016 Mei Yee ..... D3/216  
D829,436 S \* 10/2018 Benzon ..... D3/217  
D857,377 S \* 8/2019 Hong ..... D3/217

\* cited by examiner

*Primary Examiner* — Jennifer L Watkins

(74) *Attorney, Agent, or Firm* — Michael J. Feigin, Esq.;  
Feigin and Fridman LLC

(57) **CLAIM**

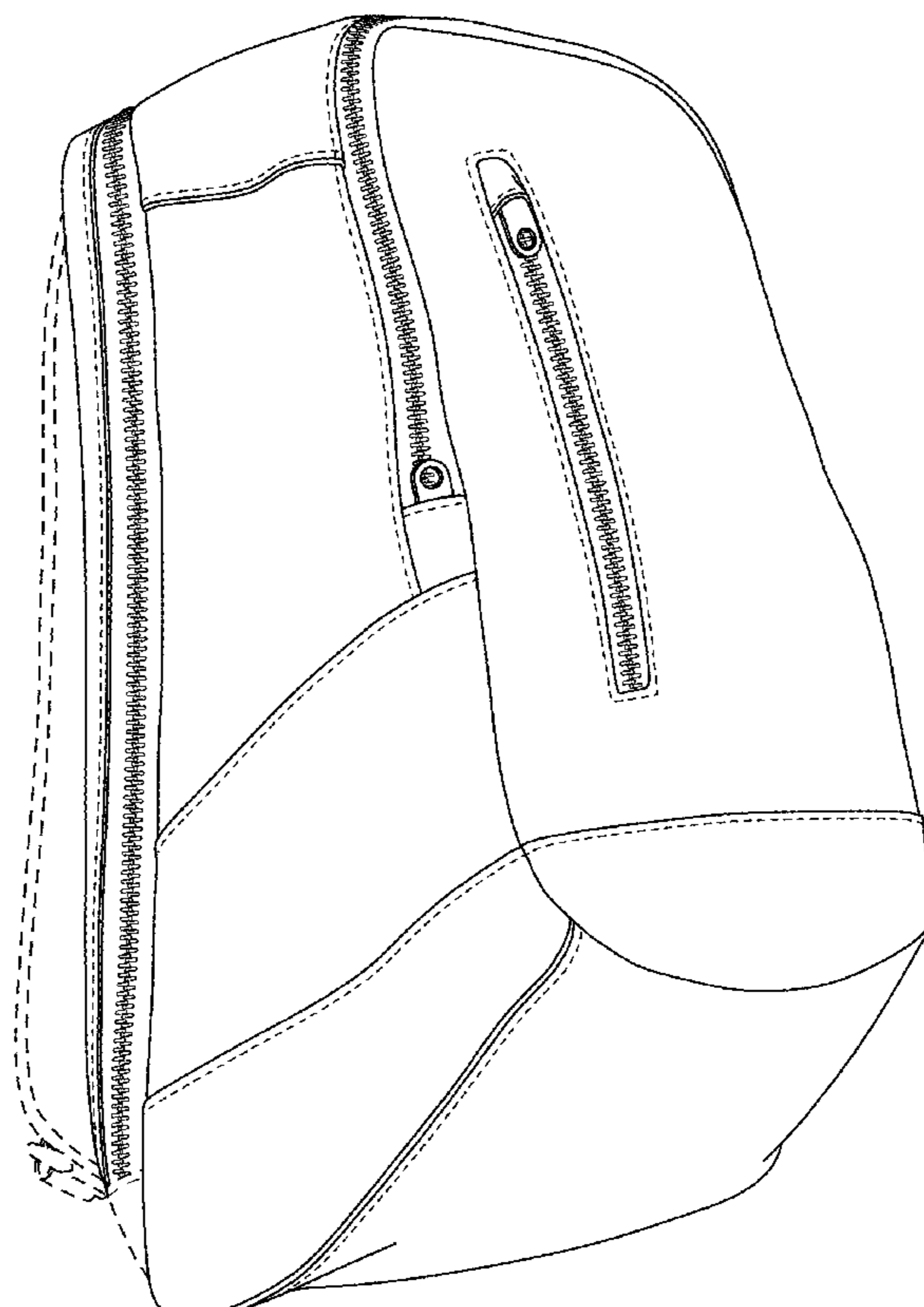
The ornamental design for a backpack, as shown and described.

**DESCRIPTION**

FIG. 1 shows a top and side perspective view of a backpack.  
FIG. 2 shows a front view thereof.  
FIG. 3 shows a first side view thereof.  
FIG. 4 shows a second side view thereof.  
FIG. 5 shows a top plan view thereof; and,  
FIG. 6 shows a bottom plan view thereof.

The smaller-length dotted lines reflect stitching and are part of the claimed design. The longer-length dotted lines show portions of the backpack and form no part of the claimed design.

**1 Claim, 6 Drawing Sheets**



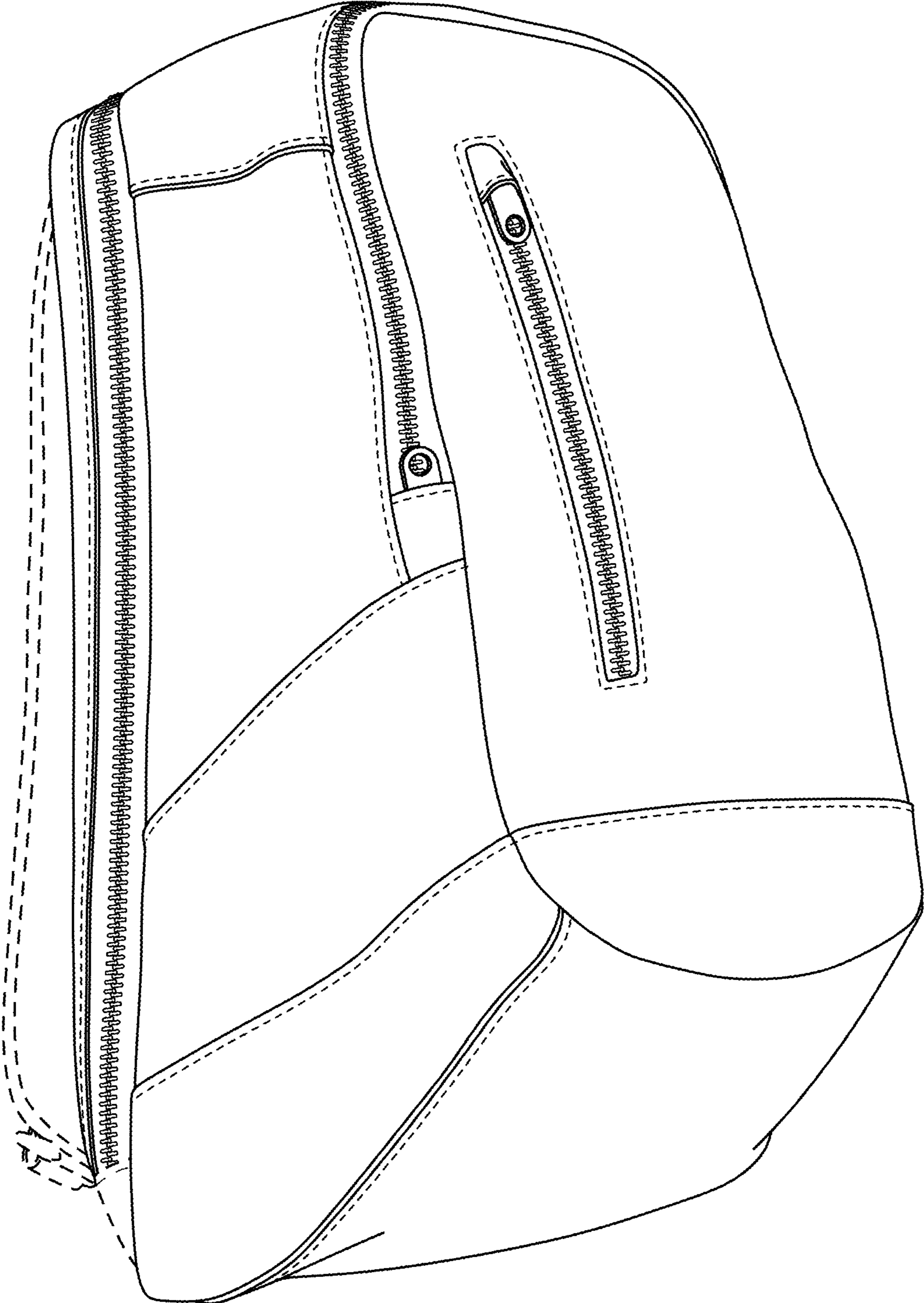


FIG. 1

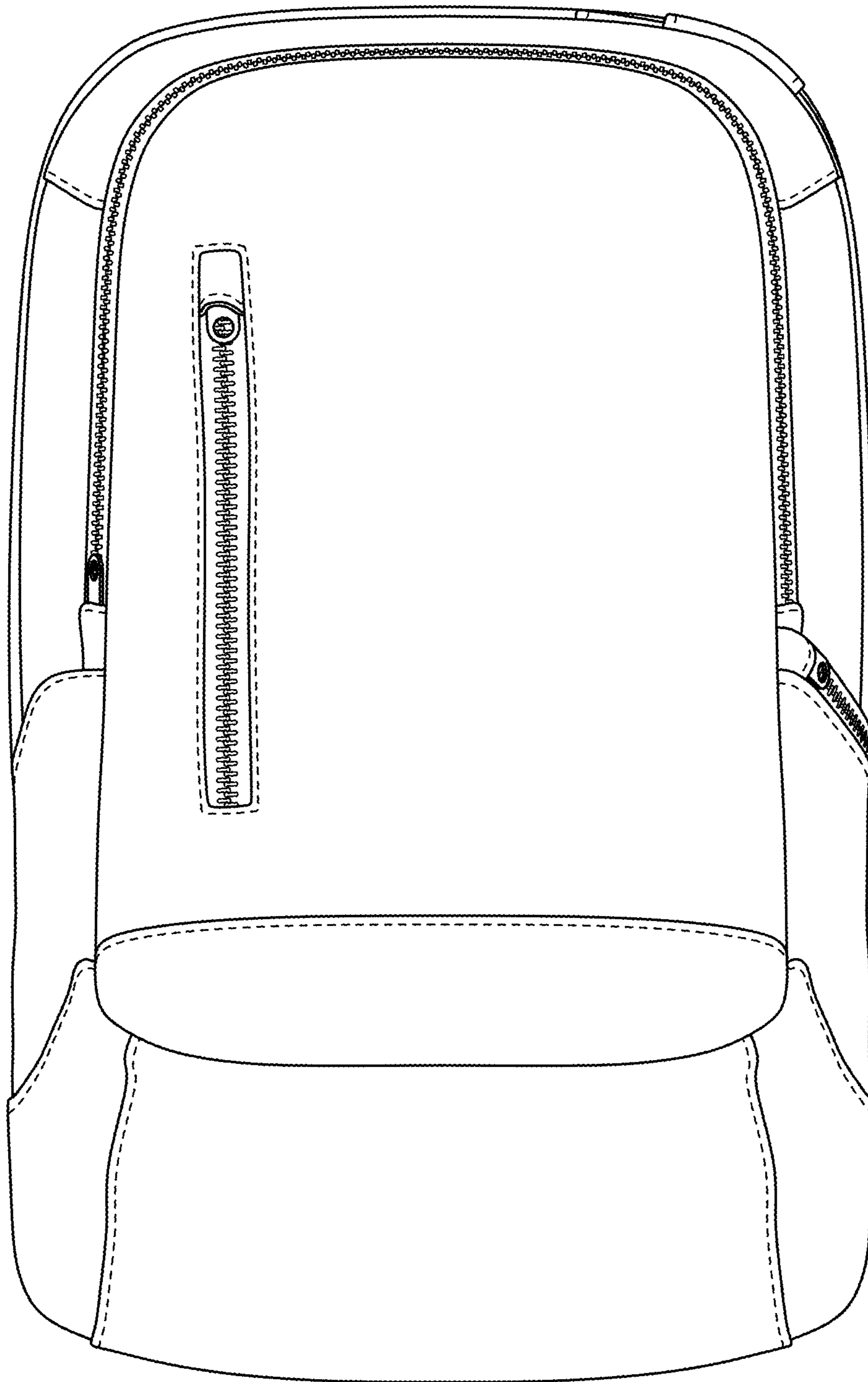


FIG. 2

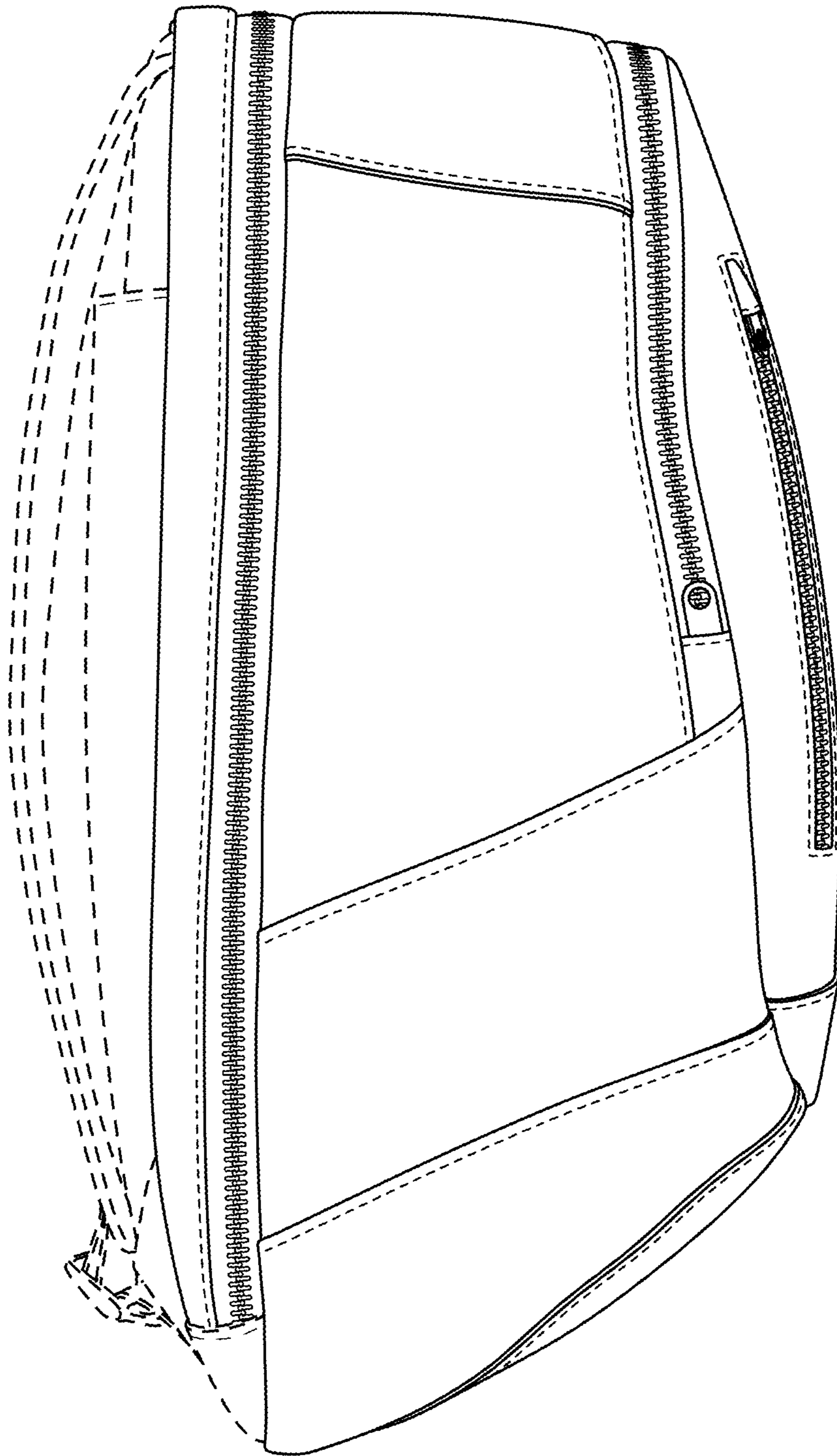


FIG. 3

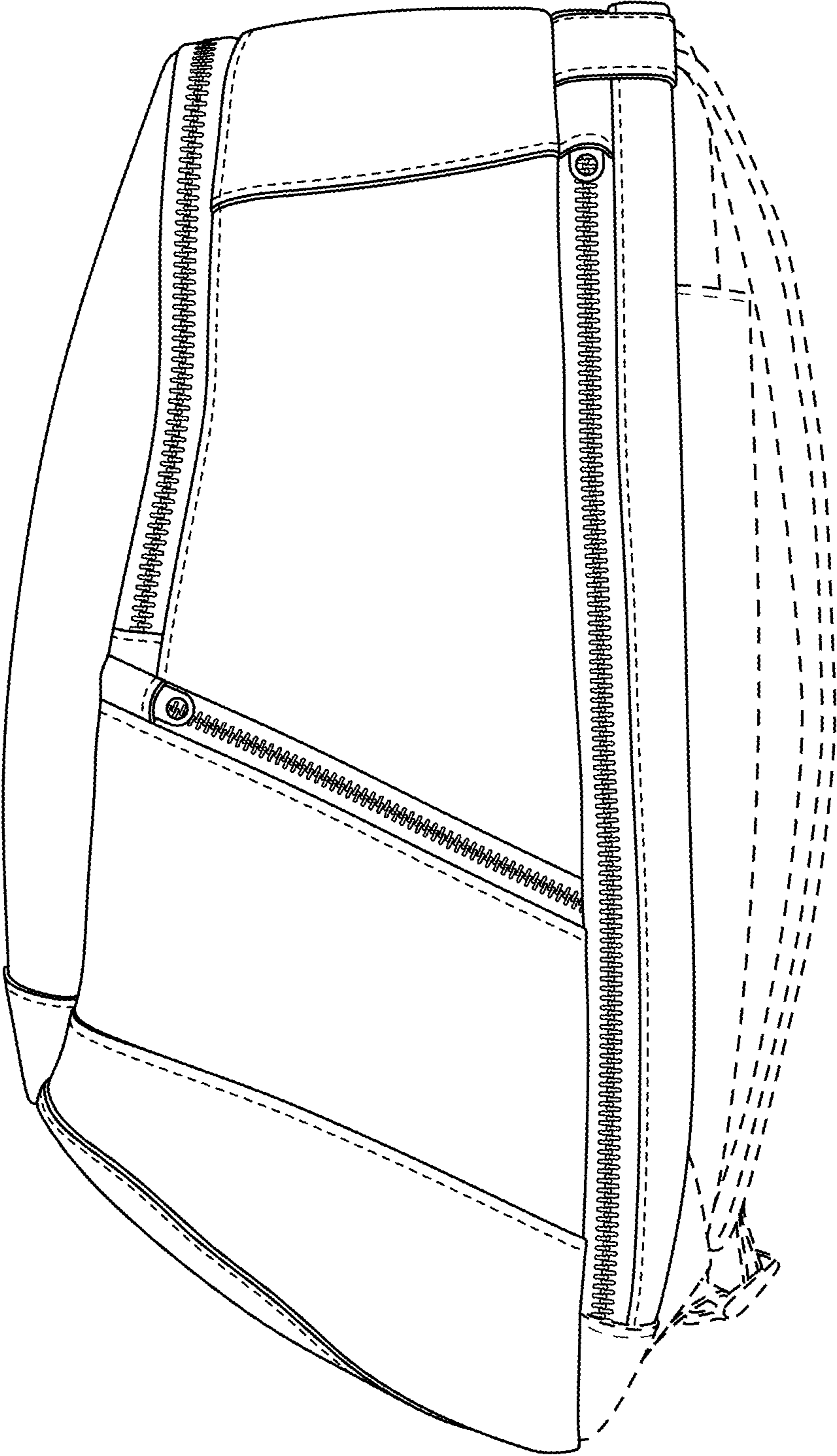


FIG. 4

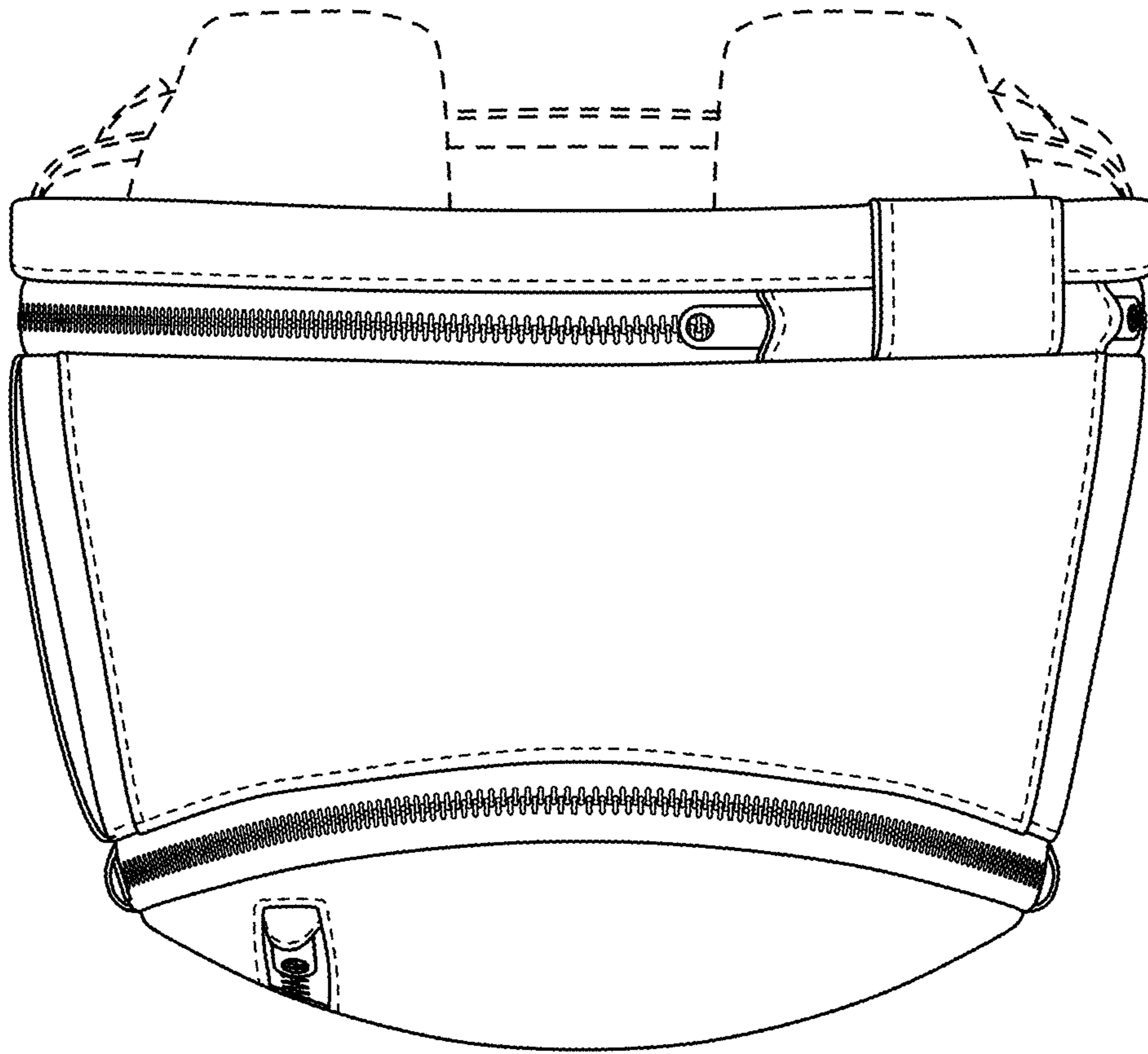


FIG. 5

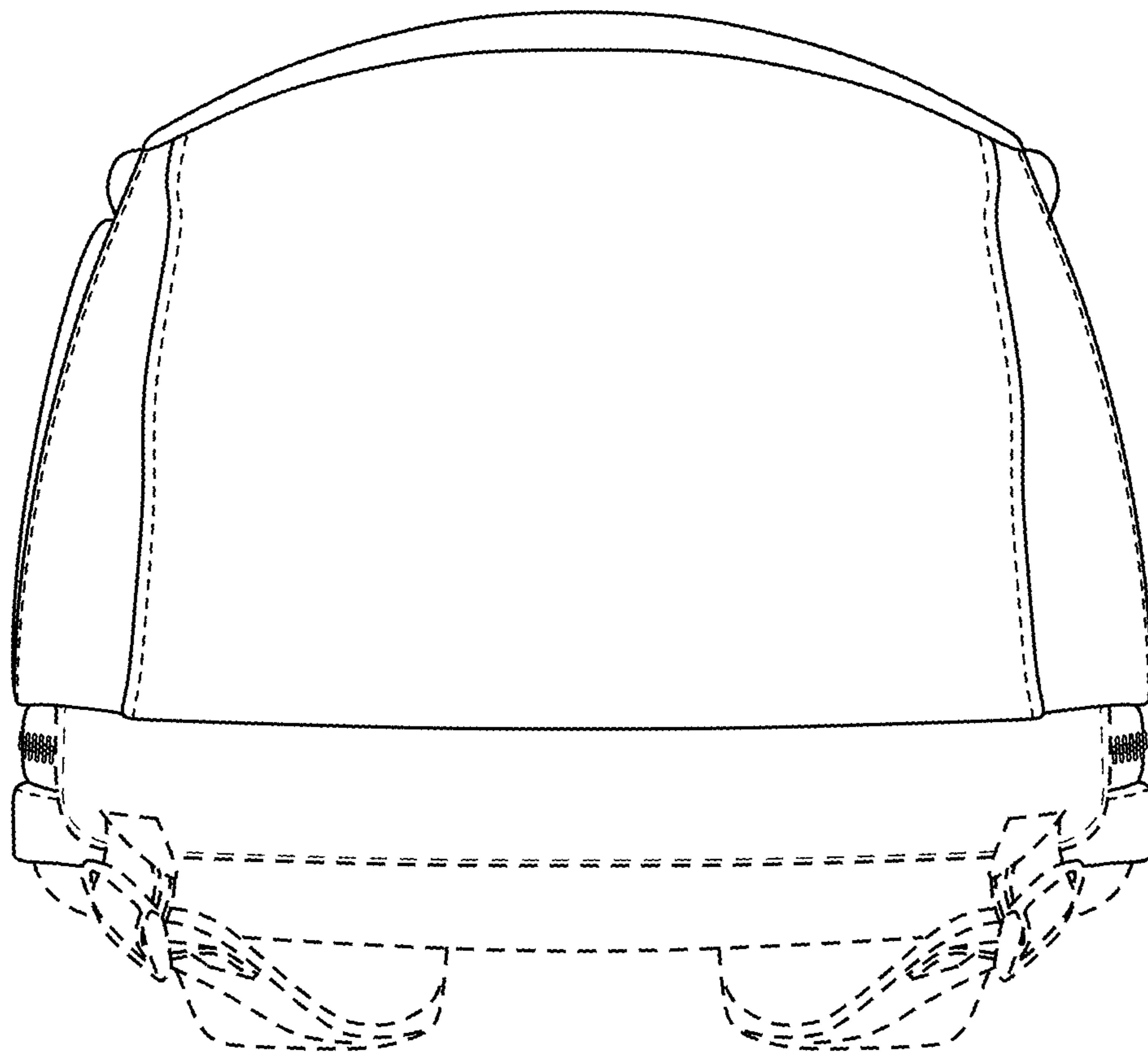


FIG. 6