



US00D880841S

(12) **United States Design Patent** (10) **Patent No.:** **US D880,841 S**
Akin et al. (45) **Date of Patent:** **** Apr. 14, 2020**

(54) **UMBRELLA WITH SOLAR PANELS**

(71) Applicant: **ZON**, Manhattan Beach, CA (US)

(72) Inventors: **Sarah Akin**, Manhattan Beach, CA (US); **David Johnson**, San Francisco, CA (US)

(73) Assignee: **ZON**, Redondo Beach, CA (US)

(**) Term: **15 Years**

(21) Appl. No.: **29/595,333**

(22) Filed: **Feb. 27, 2017**

Related U.S. Application Data

(60) Continuation of application No. 29/487,442, filed on Apr. 8, 2014, now Pat. No. Des. 779,810, which is a continuation of application No. 29/467,894, filed on Sep. 24, 2013, now Pat. No. Des. 702,037, which is a division of application No. 29/461,661, filed on Jul. 26, 2013, now Pat. No. Des. 693,562.

(51) **LOC (12) Cl.** **03-03**

(52) **U.S. Cl.**
USPC **D3/5; D3/10; D13/102**

(58) **Field of Classification Search**
USPC D3/5, 10; 135/15.1, 33.2, 20.1; 320/101; D13/102

CPC ... A45B 23/00; A45B 3/04; A45B 2200/1018; A45B 2200/1027; H02J 7/0047; H02J 7/35

See application file for complete search history.

(56) **References Cited**

U.S. PATENT DOCUMENTS

1,397,789 A 11/1921 Stonestreet
D151,655 S 11/1948 Preaus
D248,042 S 5/1978 Ouelette

4,193,389 A 3/1980 Ku
4,527,721 A 7/1985 Goldstein
D336,982 S 7/1993 Johnson et al.
D373,465 S 9/1996 Chipman
D373,467 S 9/1996 Chipman
D373,468 S 9/1996 Dubinsky
D396,741 S 8/1998 Vitali et al.
D443,409 S 6/2001 Pilz et al.
7,000,624 B2 2/2006 Chang
D530,269 S 10/2006 Fowler et al.
D561,460 S 2/2008 Peterson
D600,200 S 9/2009 Dimov et al.
8,360,079 B2 1/2013 Li
D680,949 S 4/2013 Swatek
D681,548 S 5/2013 Zhang et al.
D688,621 S 8/2013 Mozzardi et al.
D701,828 S 4/2014 Garrett-schesch
D701,829 S 4/2014 Garrett-schesch
8,695,614 B2 4/2014 Chaimovski et al.
D724,524 S 3/2015 Garrett-schesch
D728,466 S 5/2015 Ehrsam et al.
9,088,181 B2 7/2015 Akin et al.
D817,862 S * 5/2018 Cameron D13/102
D817,863 S * 5/2018 Cameron D13/102

(Continued)

Primary Examiner — John Windmuller

(74) *Attorney, Agent, or Firm* — Aka Chan LLP

(57) **CLAIM**

The ornamental design for an umbrella with solar panels, as shown and described.

DESCRIPTION

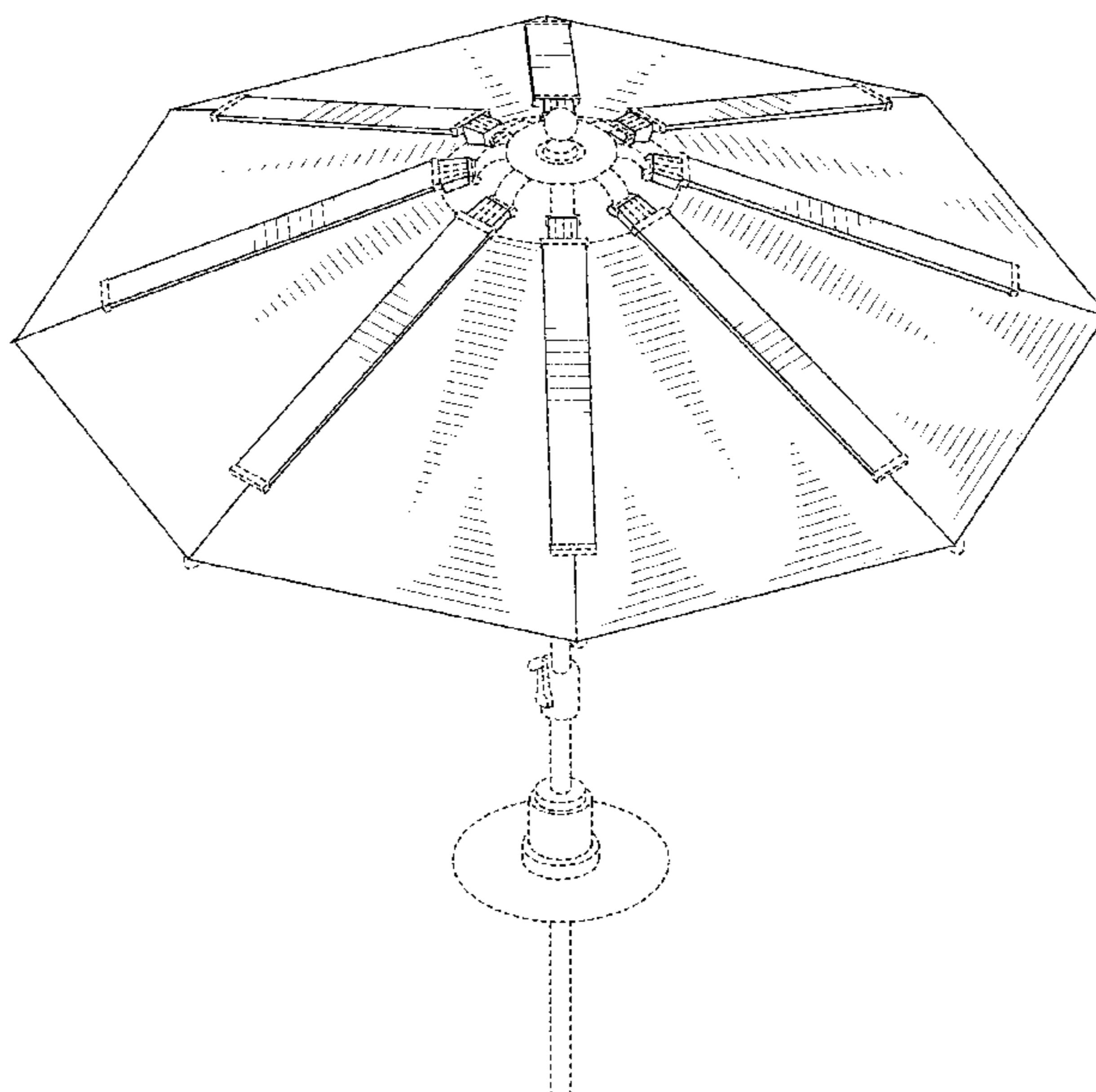
FIG. 1 shows a perspective view of a design for an umbrella with solar panels.

FIG. 2 shows a top view; and,

FIG. 3 shows a side view.

The broken lines in the figures depict portions of the umbrella with solar panels that form no part of the claimed design.

1 Claim, 3 Drawing Sheets



(56)

References Cited

U.S. PATENT DOCUMENTS

2005/0161067 A1 7/2005 Hollins
2009/0058354 A1 3/2009 Harrison

* cited by examiner

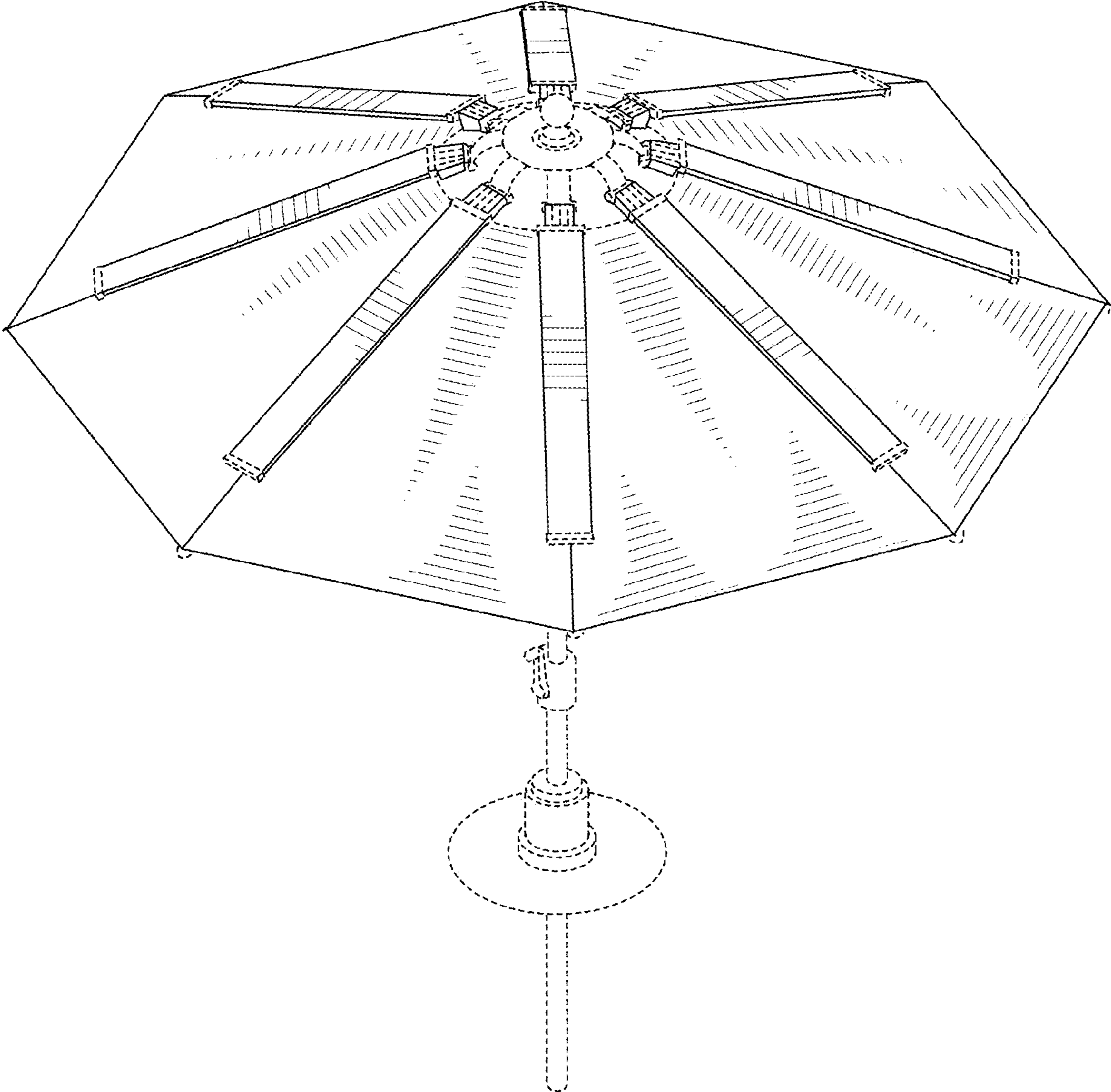


FIG. 1

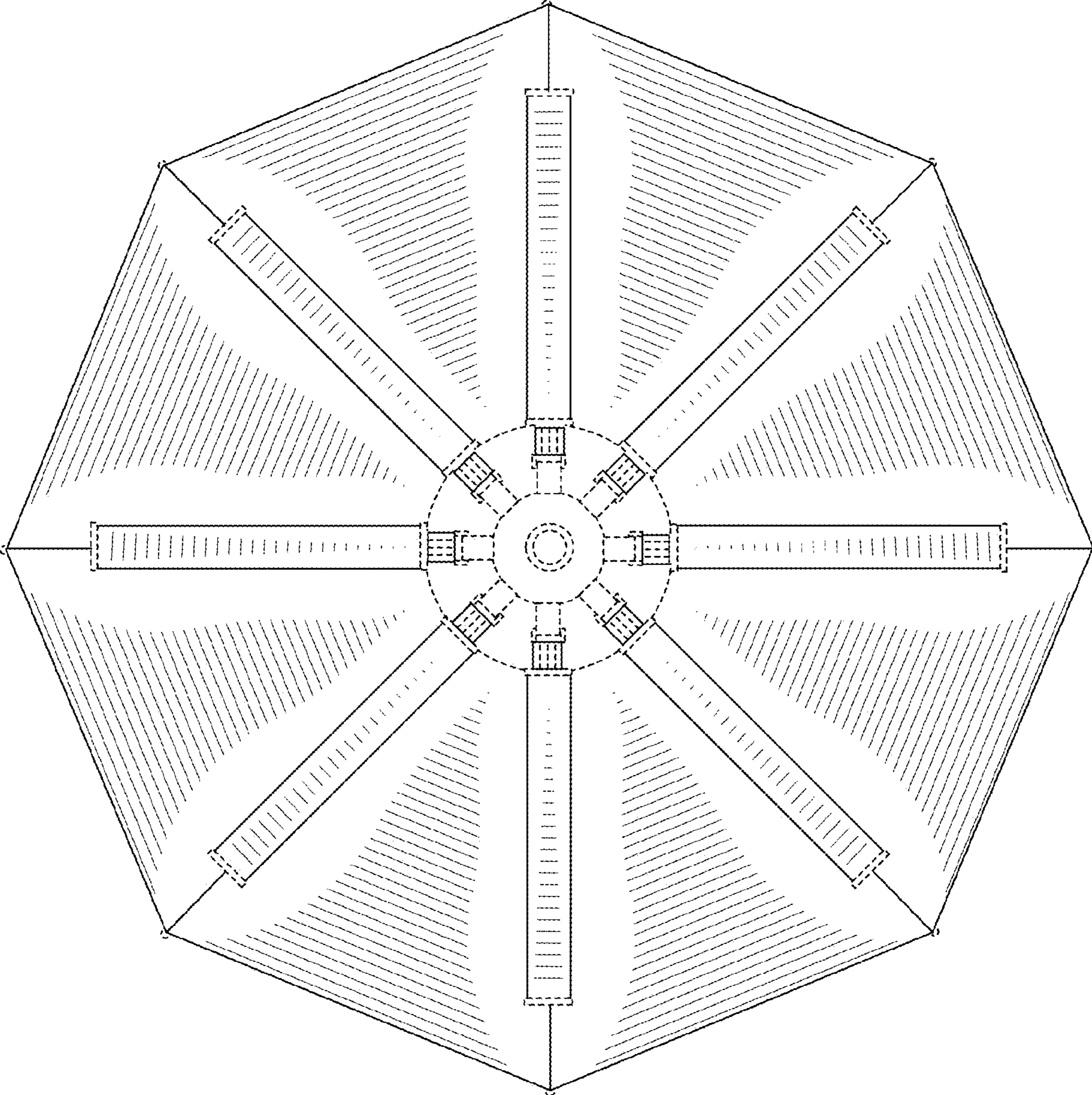


FIG. 2

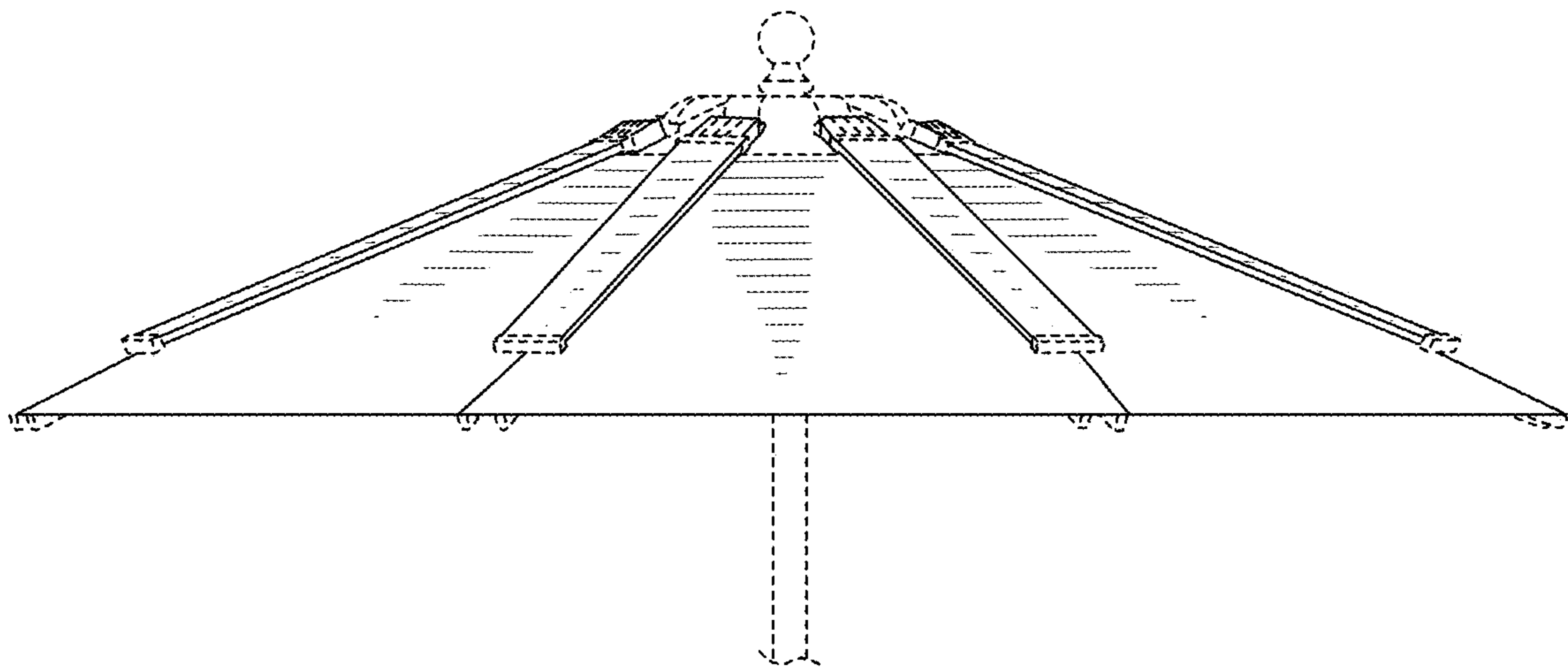


FIG. 3