



US00D880840S

(12) **United States Design Patent**
Gellineau

(10) **Patent No.:** **US D880,840 S**

(45) **Date of Patent:** **** Apr. 14, 2020**

(54) **PORT SEALER**
(71) Applicant: **Leon S. Gellineau**, Huntington Station,
NY (US)

(72) Inventor: **Leon S. Gellineau**, Huntington Station,
NY (US)

(**) Term: **15 Years**

(21) Appl. No.: **29/643,222**

(22) Filed: **Apr. 5, 2018**

(51) **LOC (12) Cl.** **02-02**

(52) **U.S. Cl.**
USPC **D2/999**

(58) **Field of Classification Search**
USPC D24/127-131, 112-114, 133, 186;
606/181, 185; 604/264, 523-528, 272,
604/187, 158, 164.01-164.11, 181, 184,
604/227; 600/101, 139, 143;
128/200.24, 207.14, 207.15; D2/502,
D2/609, 628, 633, 636, 639, 863, 864,
D2/895, 976, 999; D5/63; D8/16, 19,
D8/26, 37, 330, 350-353, 356, 364, 366,
D8/499; D11/86, 87, 132, 145, 155, 184,
D11/210, 215, 218, 228, 236, 237, 238;
D14/168, 203.5, 209, 224, 238, 511;
D16/136, 200, 202, 203, 208, 219-220,
D16/235, 237-245, 250; D29/101.3, 103,
D29/129, 130; D10/121, 108, 123, 105;
D13/152, 169, 171, 156, 174, 158, 162,
D13/177, 184
CPC A41D 1/002; A41D 1/00; B65H 57/04;
B65H 57/12; B65H 57/26; B65H 57/00
See application file for complete search history.

(56) **References Cited**

U.S. PATENT DOCUMENTS

987,407 A 3/1911 Scott
1,242,139 A 10/1917 Callahan

2,807,850 A 10/1957 Davidson
3,401,434 A 9/1968 Daddona, Jr.
3,416,196 A 12/1968 Mathison
3,553,796 A 1/1971 Carlile
3,820,200 A 6/1974 Myers
D263,678 S * 4/1982 Dewey 411/531
4,357,740 A 11/1982 Brown
4,644,610 A 2/1987 Fish
4,646,394 A 3/1987 Krauss
4,697,312 A 10/1987 Freyer
4,892,522 A * 1/1990 Suzuki A61M 5/3213
604/192
4,914,789 A 4/1990 Pedersen
5,027,478 A 7/1991 Suhr
D333,186 S * 2/1993 Andersen D24/216
5,381,588 A 1/1995 Nelson
5,427,742 A * 6/1995 Holland G01N 1/36
422/536

(Continued)

FOREIGN PATENT DOCUMENTS

WO 2005045110 A1 5/2005
WO 2011050411 A1 5/2011

Primary Examiner — Nathan M Johnston
(74) *Attorney, Agent, or Firm* — George Likourezos

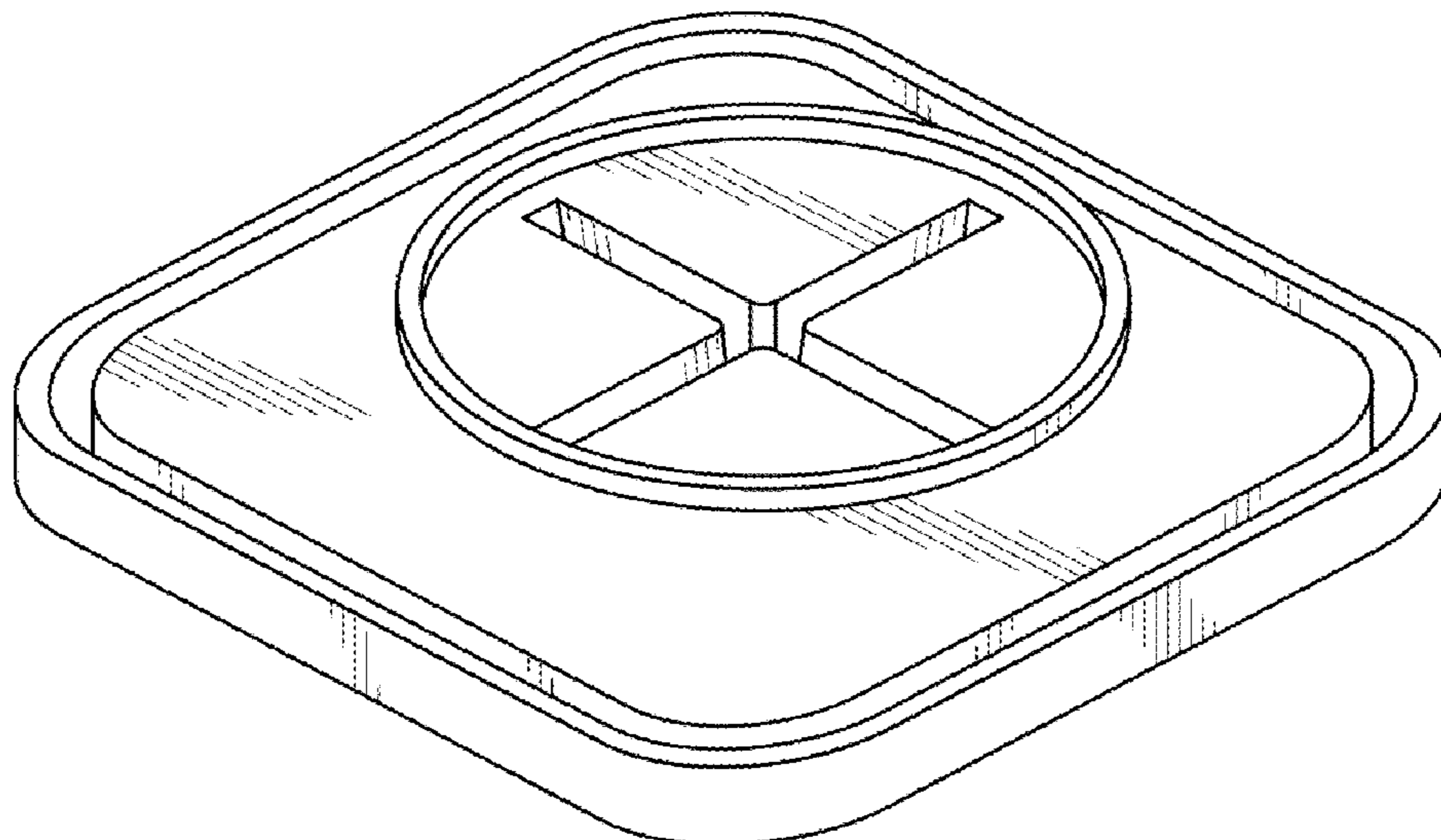
(57) **CLAIM**

The ornamental design for a port sealer, as shown and described.

DESCRIPTION

FIG. 1 is a side perspective view of a port sealer showing my new design;
FIG. 2 is a left side elevation view thereof;
FIG. 3 is a right side elevation view thereof;
FIG. 4 is a top side elevation view thereof;
FIG. 5 is a bottom side elevation view thereof;
FIG. 6 is a top elevation view thereof; and,
FIG. 7 is a bottom elevation view thereof.

1 Claim, 2 Drawing Sheets



(56)

References Cited

U.S. PATENT DOCUMENTS

5,503,625 A * 4/1996 Plass A61F 5/442
128/887

5,644,799 A 7/1997 Armenta
5,647,107 A 7/1997 Brewster
5,695,088 A 12/1997 Kasbohm
D404,483 S * 1/1999 Harwood D24/131
6,006,406 A 12/1999 Chung
6,109,818 A 8/2000 Engel
D431,867 S * 10/2000 Maynard D24/216
6,151,759 A 11/2000 Harward
6,161,263 A 12/2000 Anderson
6,260,240 B1 7/2001 Akashi
6,393,678 B1 5/2002 Fildan
D461,896 S * 8/2002 Worthington D24/162
6,442,808 B2 9/2002 Fildan
6,449,810 B1 9/2002 Kuwayama
6,563,424 B1 5/2003 Kaario
6,757,945 B2 7/2004 Shibuya
6,792,124 B2 9/2004 Tilbury et al.
7,013,539 B2 3/2006 Fildan
7,035,422 B1 4/2006 Wiener
D529,782 S * 10/2006 Zafirian D8/300
D542,123 S * 5/2007 Symons D8/356
7,380,371 B2 6/2008 Jones
D582,554 S * 12/2008 Adams D24/164
D585,317 S * 1/2009 Wagner D10/81
7,519,192 B1 4/2009 Laycock et al.
7,752,718 B2 7/2010 Fisher
7,974,432 B1 7/2011 Ryan
8,107,653 B2 1/2012 Wolfe
8,152,785 B2 * 4/2012 Vitaris A61M 1/0088
604/304

8,225,465 B2 7/2012 Honeycutt
8,407,868 B2 4/2013 Chung
8,411,891 B2 4/2013 Del Prete
8,613,112 B2 12/2013 Santucci et al.

8,625,835 B2 1/2014 Gottlieb
8,687,834 B2 4/2014 Wolfe
8,782,814 B2 7/2014 Schmelzer
8,935,835 B2 1/2015 Fildan
8,942,403 B2 1/2015 Oman et al.
D724,462 S * 3/2015 Bould D10/106.2
D726,924 S * 4/2015 Tseng D24/186
D733,915 S * 7/2015 Stuyfzand D24/231
D741,726 S * 10/2015 Akana D10/30
D744,658 S * 12/2015 Hilkey-Boyatt D11/86
9,332,796 B2 5/2016 Edwards et al.
9,339,064 B2 5/2016 Oliver
9,480,310 B2 11/2016 Hernandez et al.
9,943,121 B2 4/2018 Gellineau
D820,123 S * 6/2018 Chou D10/70
D826,752 S * 8/2018 Lee D10/81
D842,724 S * 3/2019 Vandenbussche D10/70
D850,627 S * 6/2019 Purani D24/186
D852,662 S * 7/2019 Zhong D10/81
D854,433 S * 7/2019 Vandenbussche D10/70
D862,259 S * 10/2019 Shortt D10/81
D864,767 S * 10/2019 Vandenbussche D10/70

2004/0154076 A1 8/2004 Yoo
2006/0005361 A1 1/2006 O'Banion
2006/0048345 A1 3/2006 Hasegawa
2006/0062413 A1 3/2006 Wehrell
2006/0099864 A1 5/2006 Crumrine et al.
2006/0182297 A1 8/2006 Cyr et al.
2007/0028346 A1 2/2007 Williams
2007/0245444 A1 10/2007 Brink
2008/0256759 A1 10/2008 Kasbohm
2010/0329499 A1 12/2010 Wolfe
2011/0019861 A1 1/2011 Wolfe
2011/0185469 A1 8/2011 Santuccio et al.
2012/0079687 A1 4/2012 Ingram
2012/0272431 A1 11/2012 Kupinic
2013/0130540 A1 5/2013 Oman et al.
2016/0374421 A1 12/2016 Washington

* cited by examiner

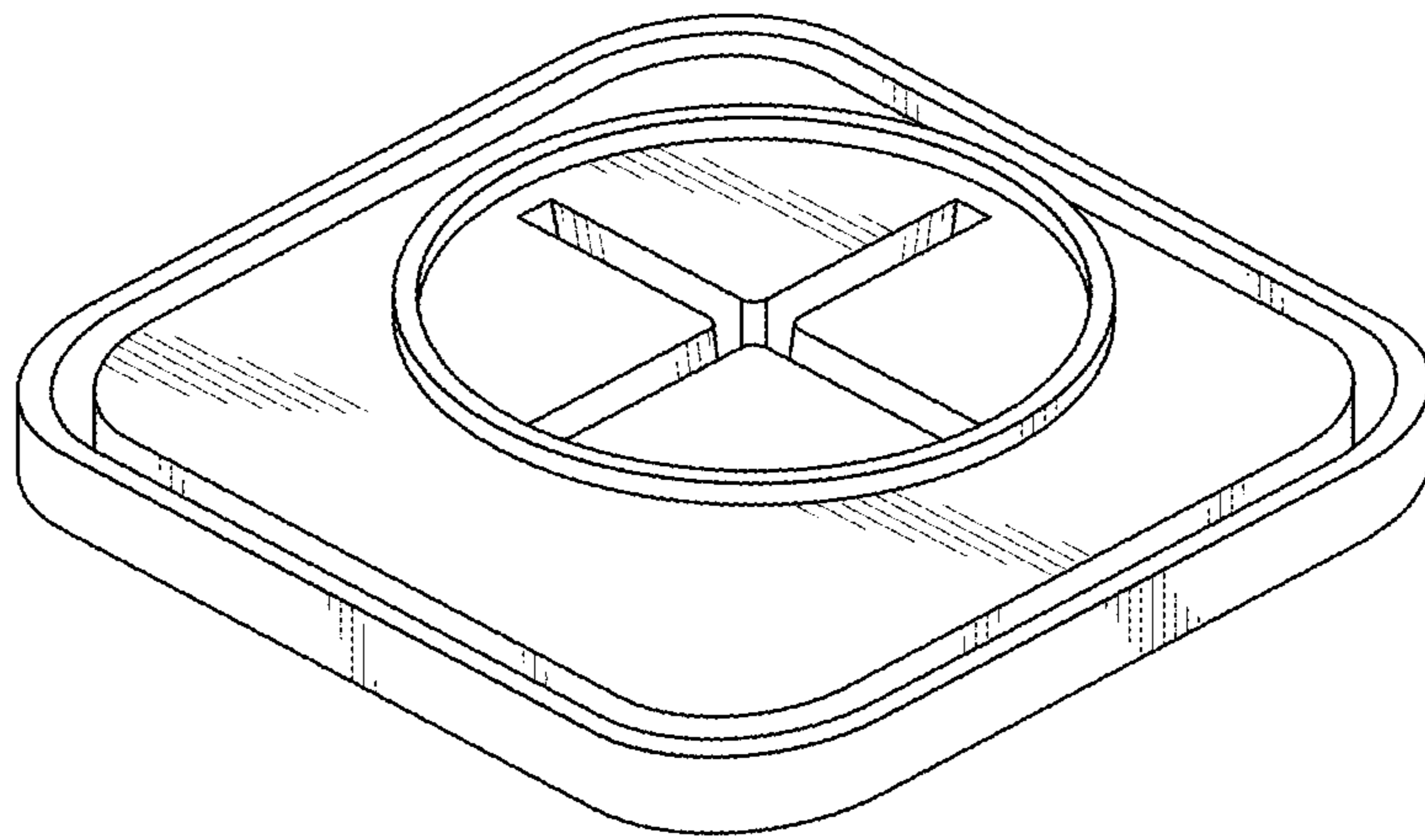


FIG. 1



FIG. 2

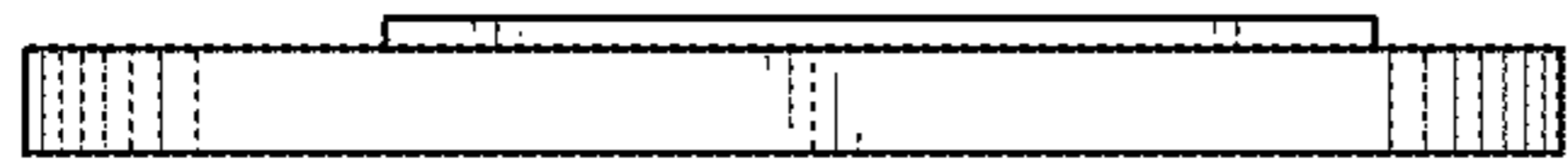


FIG. 3



FIG. 4



FIG. 5

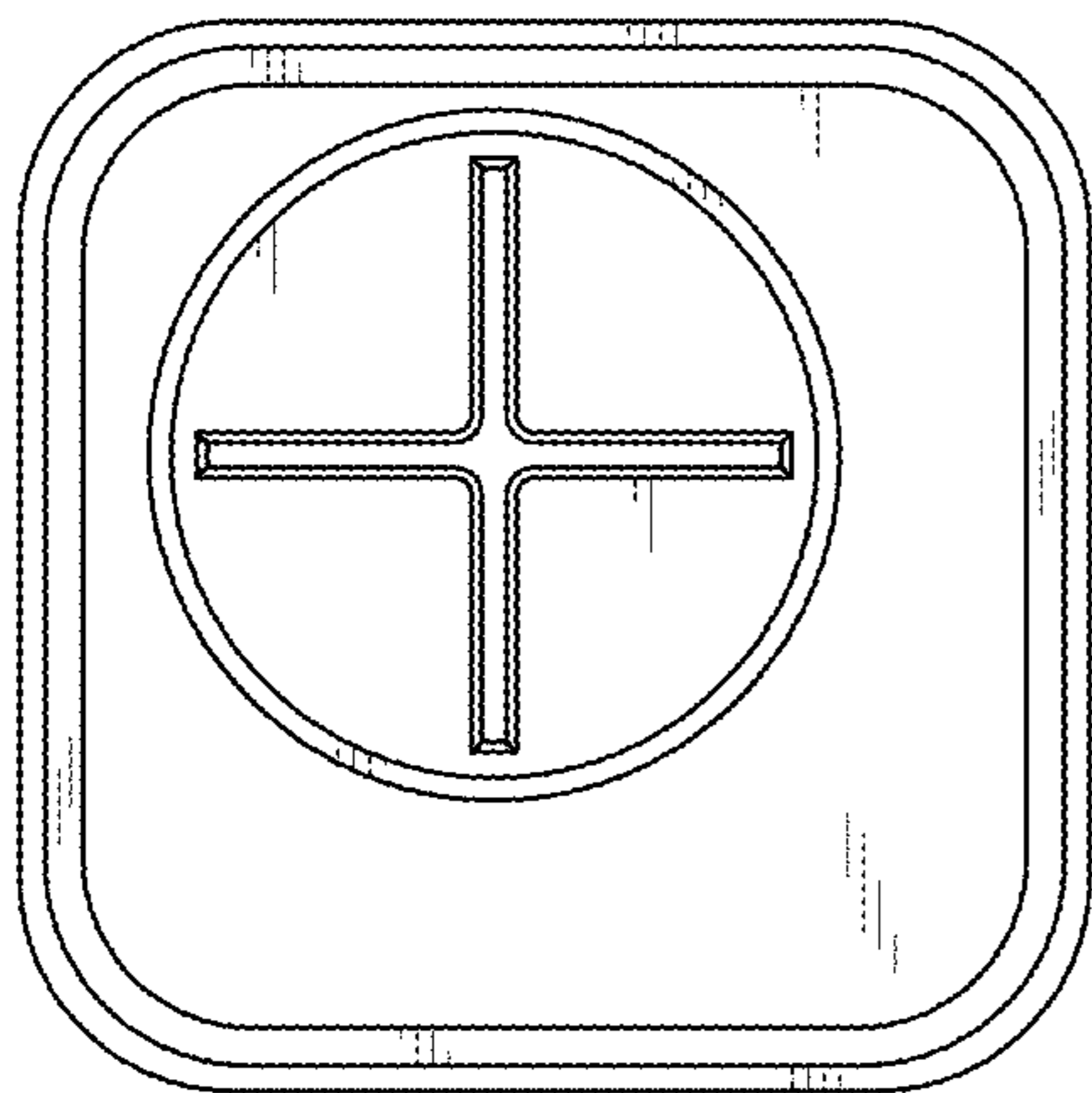


FIG. 6

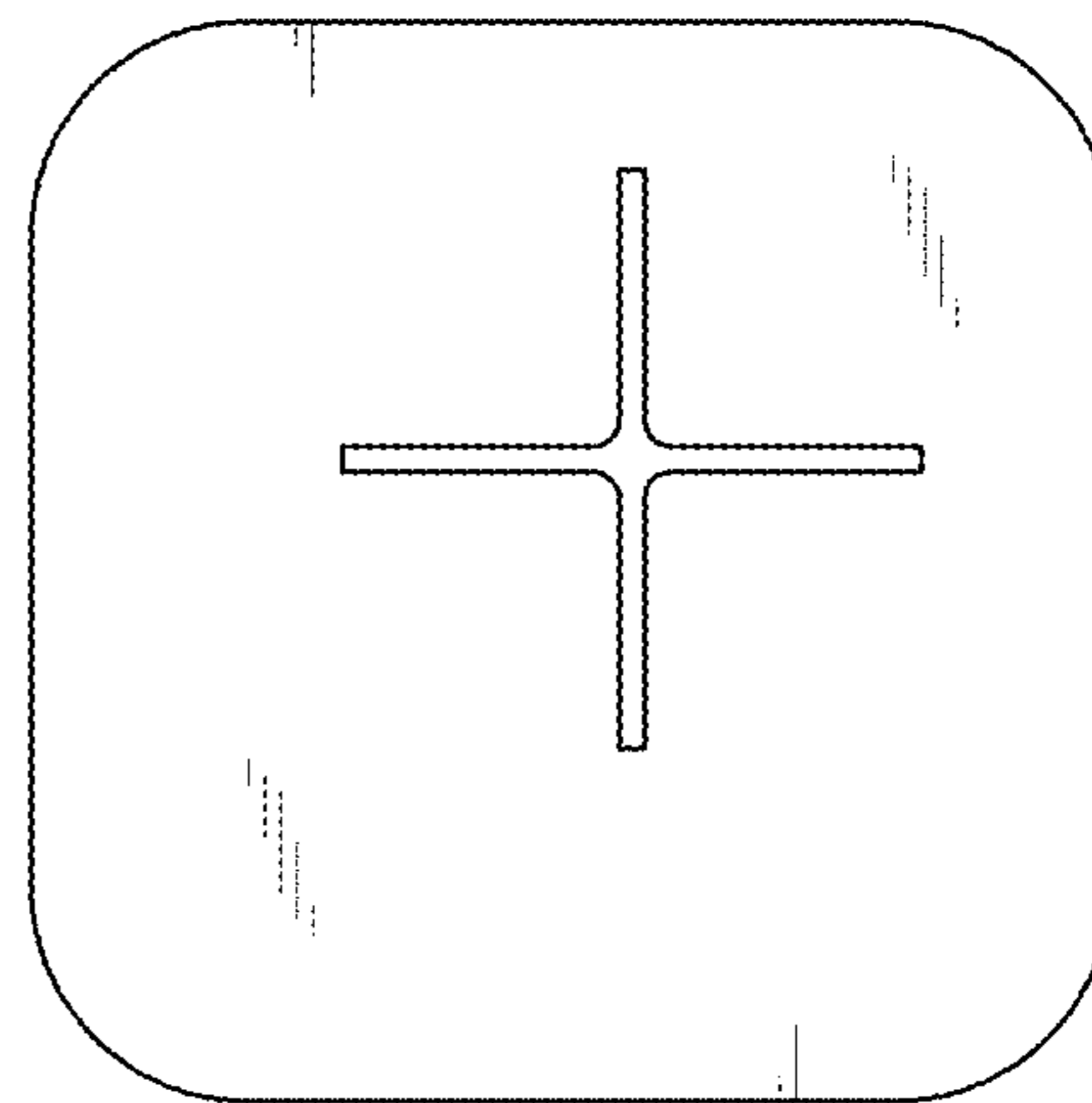


FIG. 7