



US00D880833S

(12) **United States Design Patent**
Carbonere

(10) **Patent No.:** **US D880,833 S**
(45) **Date of Patent:** **** Apr. 14, 2020**

- (54) **SHOE**
- (71) Applicant: **NIKE, Inc.**, Beaverton, OR (US)
- (72) Inventor: **Enrico Carbonere**, Hillsboro, OR (US)
- (73) Assignee: **NIKE, Inc.**, Beaverton, OR (US)
- (**) Term: **15 Years**
- (21) Appl. No.: **29/655,092**
- (22) Filed: **Jun. 29, 2018**
- (51) **LOC (12) Cl.** **02-04**
- (52) **U.S. Cl.**
USPC **D2/972**
- (58) **Field of Classification Search**
USPC D2/896, 902, 906-908, 946, 947, 969,
D2/972, 973, 974, 976
CPC A43B 5/00; A43B 13/181; A43B 13/141;
A43B 23/26; A43B 13/188; A43B 23/00
See application file for complete search history.

(56) **References Cited**

U.S. PATENT DOCUMENTS

D302,763 S *	8/1989	Kilgore	D2/972
D358,250 S *	5/1995	Crowley	D2/972
D369,233 S *	4/1996	Haber	D2/946
D415,880 S *	11/1999	McCourt	D2/972
D575,951 S *	9/2008	St-Louis	D2/969
D618,452 S *	6/2010	Dean	D2/946
10,159,310 B2 *	12/2018	Sullivan	A43B 23/0245
2015/0289595 A1 *	10/2015	Rushbrook	A43C 11/22
				36/50.1
2018/0110287 A1 *	4/2018	Hopkins	A43B 13/141

OTHER PUBLICATIONS

Where to Buy The A Cold Wall* posted by Michael Le posted date Nov. 24, 2018, © Sneaker News, [online], [site visited Jan. 20,

2020]. Available from Internet, <https://sneakernews.com/2018/11/24/buy-cold-wall-x-nike-zoom-vomero-5/> (Year: 2018).*

Zoom Vomero x A Cold Wall posted by Nike posted date Dec. 14, 2018, © Amazon, [online], [site visited Jan. 20, 2020]. Available from Internet, https://www.amazon.com/Nike-Zoom-Vomero-Acw-Cold-Wall/dp/B07MS62668/ref=sr_1_fkmr0_1?dchild=1&keywords=A-COLD-WALL*+x+Nike&qid=1579554575&sr=8-1-fkmr0 (Year: 2018).*

Official Photos of the Zoom Vomero x A Cold Wall posted by Mario Briguglio posted date Nov. 7, 2018, © Sneaker Bar Detroit, [online], [site visited Jan. 20, 2020]. Available from Internet, <https://sneakerbardetroit.com/a-cold-wall-nike-zoom-vomero-5-release-date/> (Year: 2018).*

A Cold Wall x Nike posted date unknown, © A Sole Line [online], [site visited Jan. 20, 2020]. Available from Internet, <https://www.thesoleline.com/online/a-cold-wall-x-nike-zoom-vomero-5s-black-for-sale/> (Year: 2020).*

“Nike Vomero+ 5—Men’s”; Runner’s World; retrieved Apr. 17, 2019; published Dec. 30, 2013; URL: <<https://www.runnersworld.com/gear/a20781874/nike-vomero-5-mens/>>.

* cited by examiner

Primary Examiner — Michael C Stout

Assistant Examiner — Laura H Yu

(74) *Attorney, Agent, or Firm* — Banner & Witcoff, Ltd.

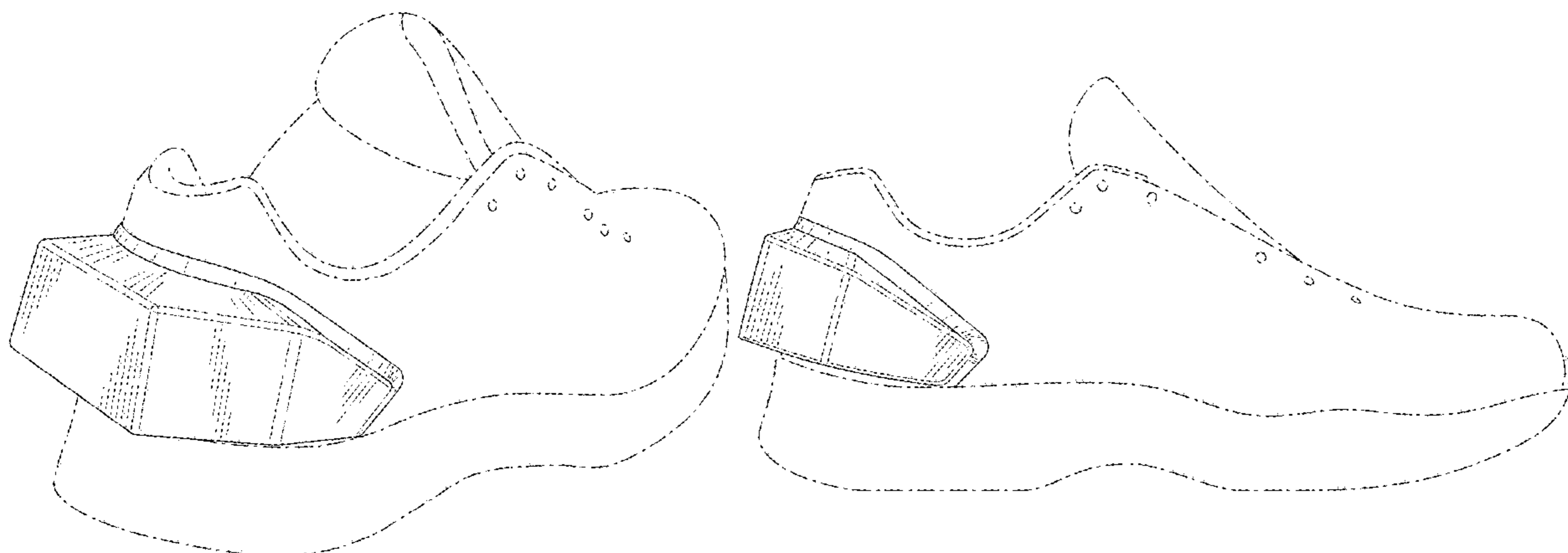
(57) **CLAIM**

The ornamental design for a shoe, as shown and described.

DESCRIPTION

FIG. 1 is a side view of a shoe showing my new design;
 FIG. 2 is a rear view thereof;
 FIG. 3 is a rear perspective view thereof; and,
 FIG. 4 is an opposite side view thereof.
 The broken lines depicting the remainder of the shoe show features that form no part of the claimed design.

1 Claim, 4 Drawing Sheets



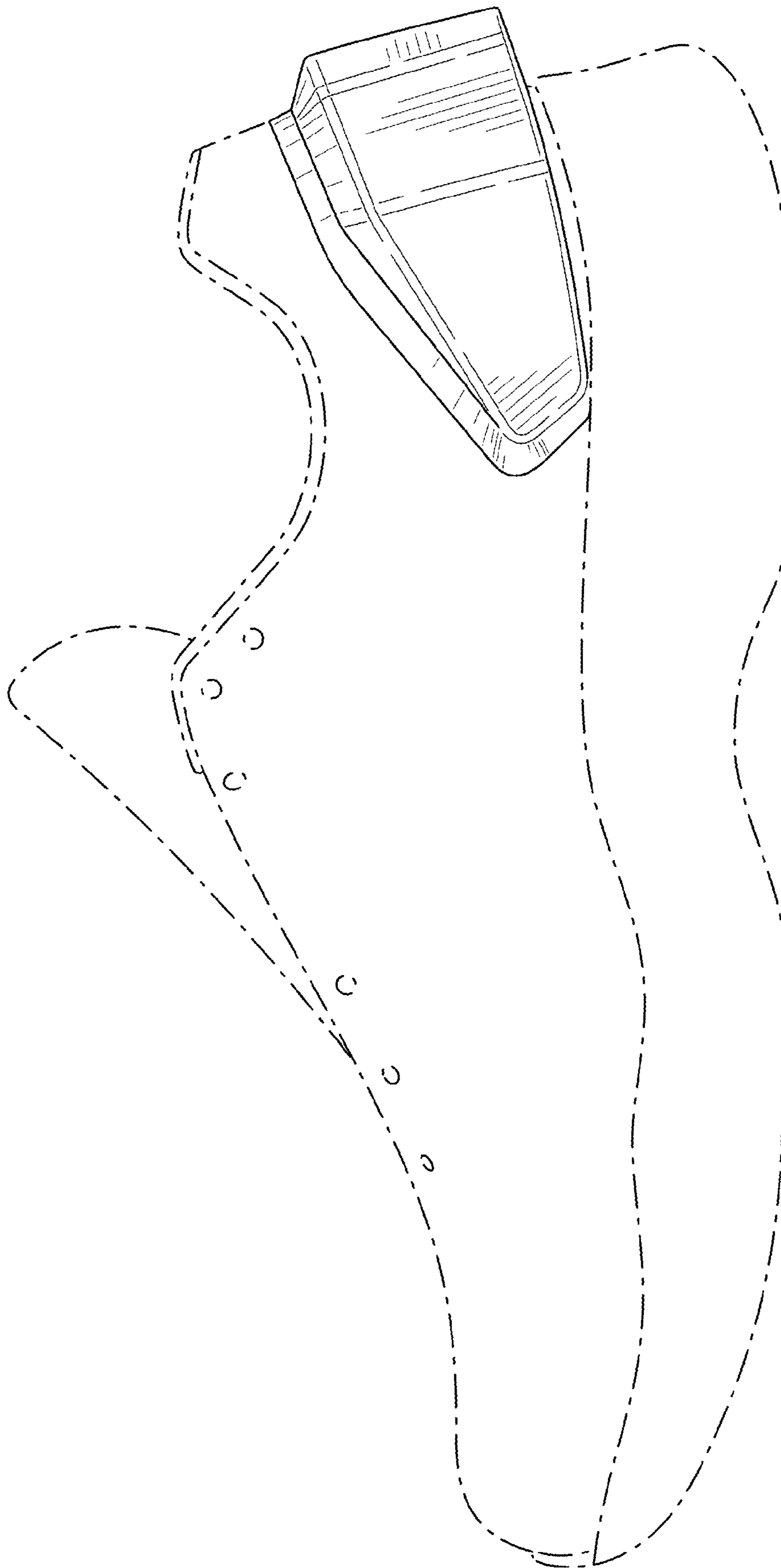


FIG. 1

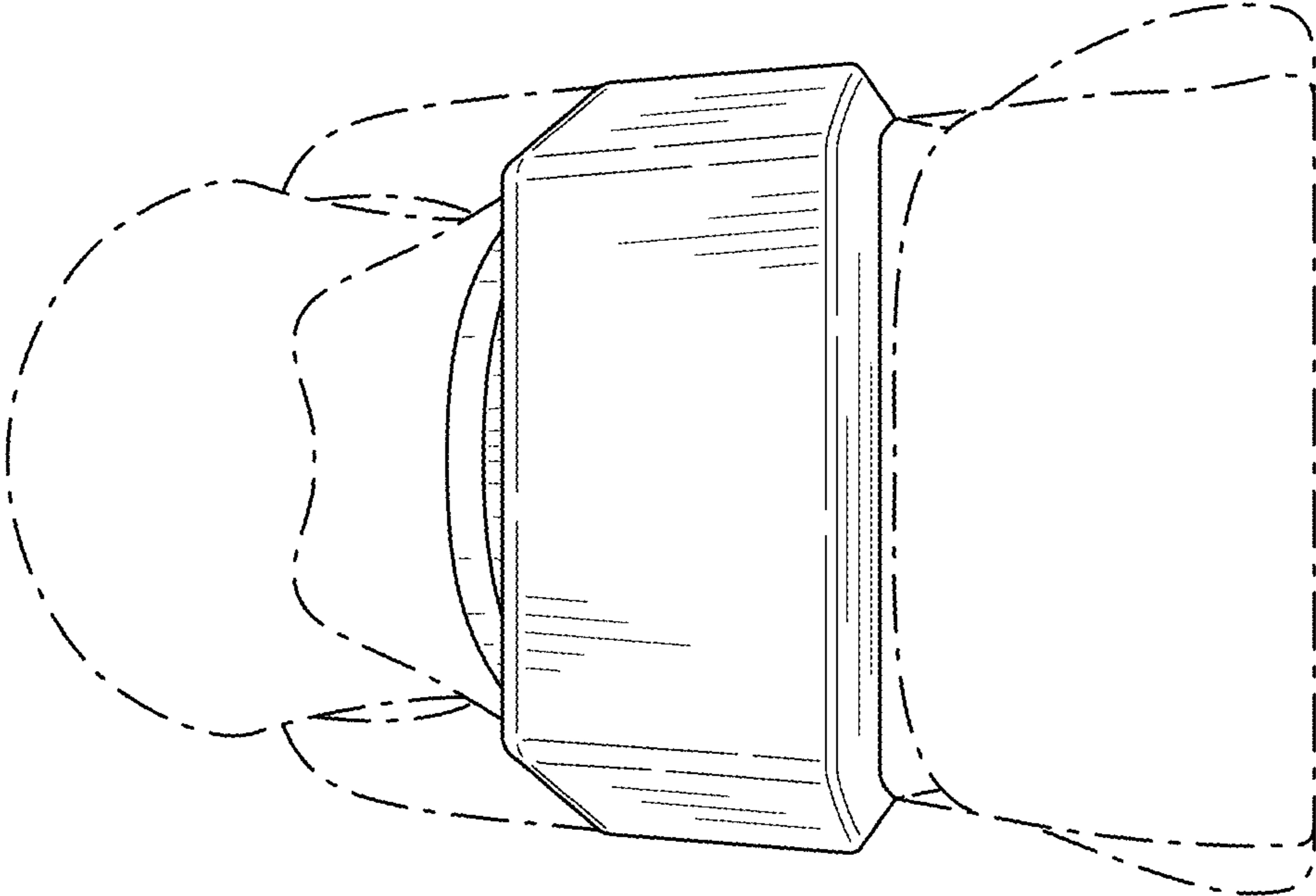


FIG. 2

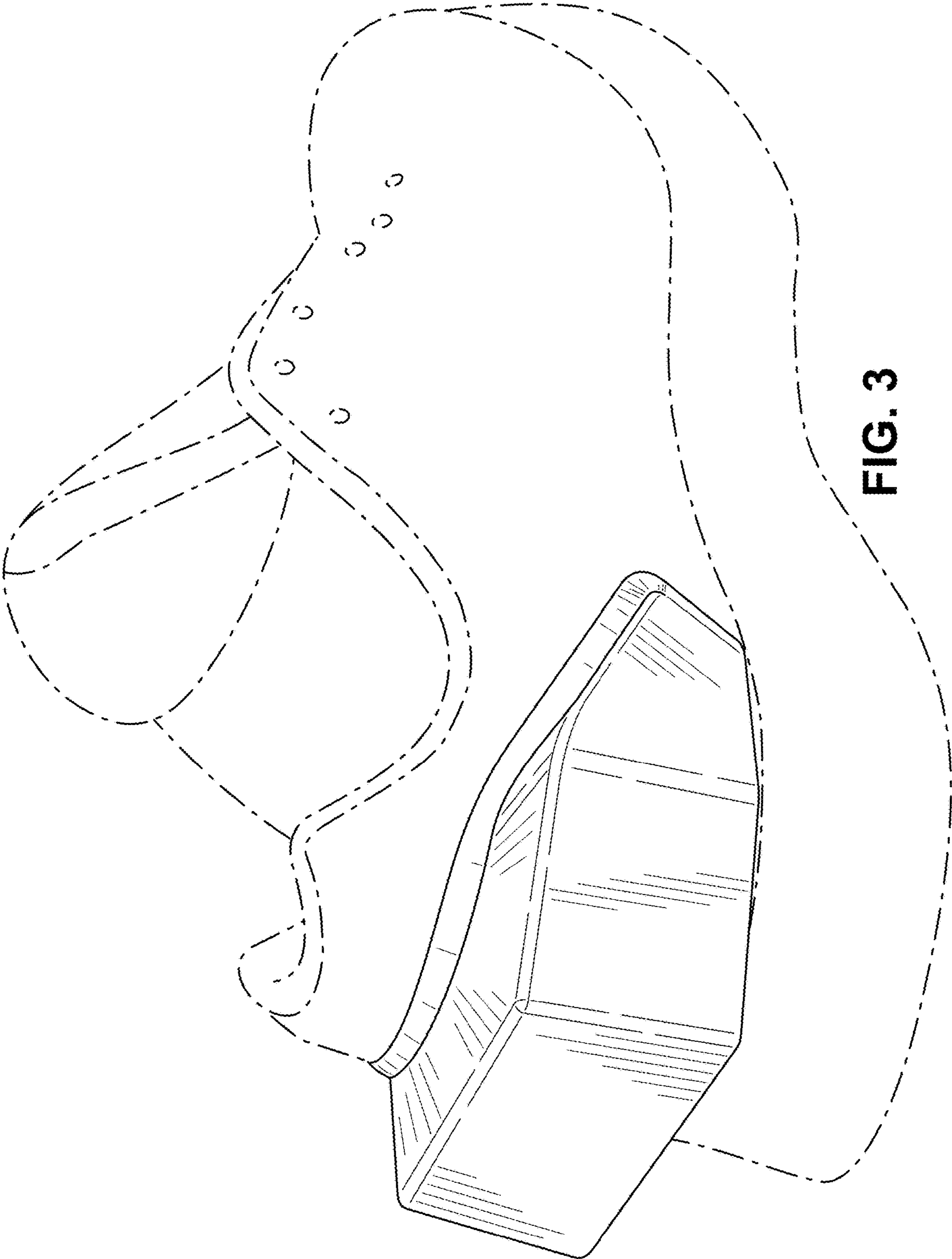




FIG. 4