



US00D880803S

(12) **United States Design Patent**
Frazier et al.

(10) **Patent No.:** **US D880,803 S**

(45) **Date of Patent:** **** Apr. 7, 2020**

(54) **WINCH**

(71) Applicant: **Superwinch, LLC**, Dayville, CT (US)

(72) Inventors: **Tim Frazier**, Beaverton, OR (US); **Ron Dennis**, Woodburn, OR (US); **Brent Nasset**, Salem, OR (US)

(**) Term: **15 Years**

(21) Appl. No.: **29/683,167**

(22) Filed: **Mar. 11, 2019**

Related U.S. Application Data

(60) Continuation of application No. 29/635,864, filed on Feb. 2, 2018, now abandoned, which is a division of application No. 29/563,917, filed on May 9, 2016, now Pat. No. Des. 811,683.

(51) **LOC (12) Cl.** **12-05**

(52) **U.S. Cl.**
USPC **D34/33**

(58) **Field of Classification Search**
USPC D34/33, 28; 254/362, 356, 372, 380,
254/901, 382, 374, 316, 342
CPC ... B66D 1/12; B66D 1/00; B66D 3/20; B66D
1/005; B66D 3/18; B66D 5/34
See application file for complete search history.

(56) **References Cited**

U.S. PATENT DOCUMENTS

D489,157 S * 4/2004 Lawson D34/33
D513,650 S * 1/2006 Elliott D34/33
D703,414 S * 4/2014 Fretz D34/33
8,973,902 B2 * 3/2015 Huang F16D 11/16
254/355
9,014,913 B2 * 4/2015 Heravi B66D 1/42
701/36
D744,189 S * 11/2015 Fretz D34/33
9,315,364 B2 * 4/2016 Averill B66D 1/16

D799,143 S * 10/2017 Cui D34/33
D799,144 S * 10/2017 Cui D34/33
D799,145 S * 10/2017 Scheer D34/33
D799,779 S * 10/2017 Aho D34/33
D811,683 S * 2/2018 Frazier D34/33
D815,386 S * 4/2018 August D34/33
10,093,523 B2 * 10/2018 Averill B66D 1/12
D849,352 S * 5/2019 Fretz D34/33
2014/0001427 A1 * 1/2014 Fretz B66D 1/02
254/342

OTHER PUBLICATIONS

Zoro, "Hydraulic Winch", Jul. 30, 2019. <https://www.zoro.com/superwinch-hydraulic-winch-8000-lb-38-15-gpm-si-8w-hy-1s-b/i/G7238607/>. Shown on page 1. (Year: 2019).*

* cited by examiner

Primary Examiner — Cynthia Ramirez

Assistant Examiner — Michael A Maharajh

(74) *Attorney, Agent, or Firm* — The Dobrusin Law Firm, PC

(57) **CLAIM**

The ornamental design for a winch, as shown and described.

DESCRIPTION

FIG. 1 is a perspective view of a winch showing our new design.

FIG. 2 is a front view thereof.

FIG. 3 is a back view thereof.

FIG. 4 is a right view thereof.

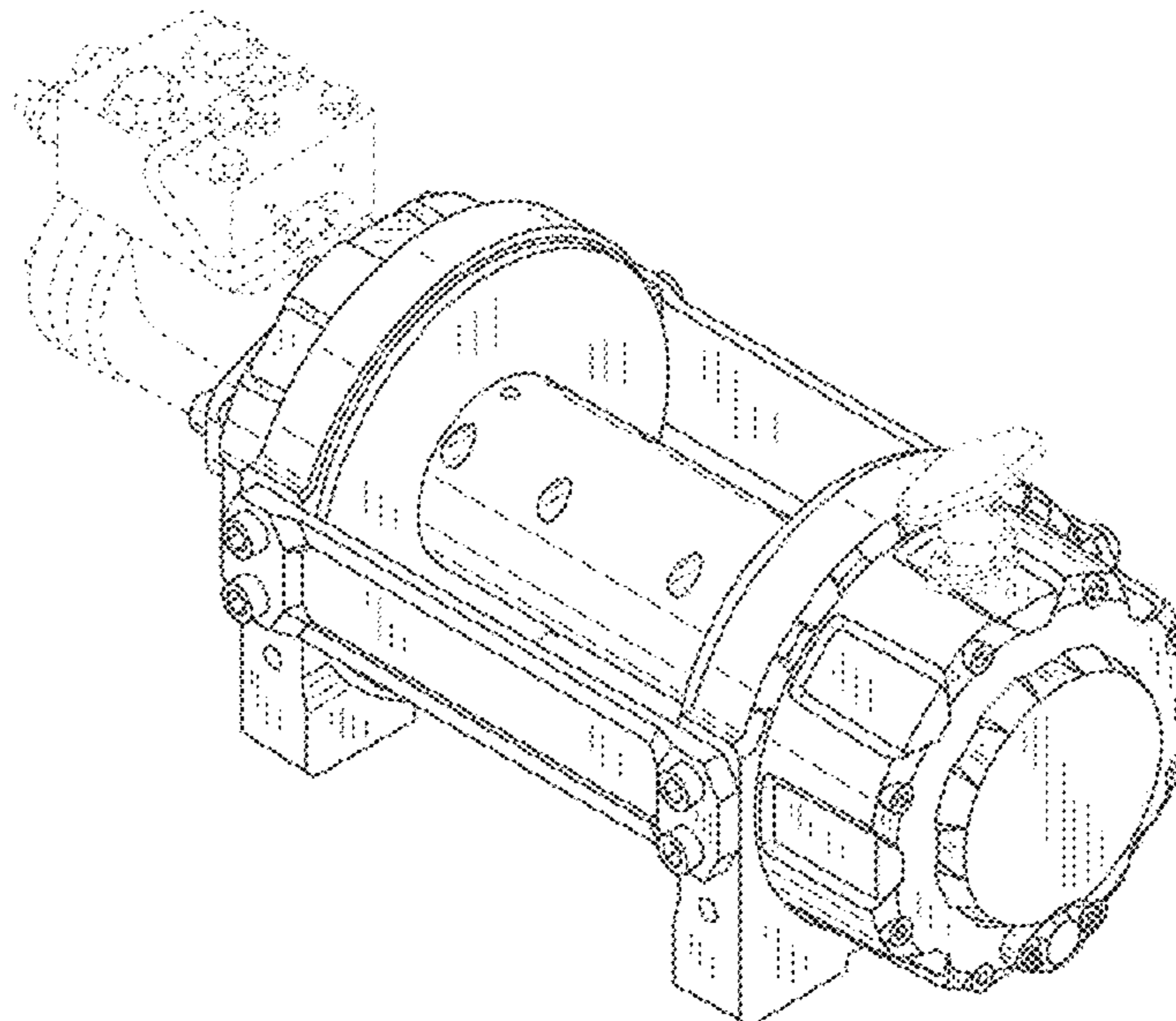
FIG. 5 is a left view thereof.

FIG. 6 is a top view thereof; and,

FIG. 7 is a bottom view thereof.

The broken lines shown in the drawings are included for the purpose of illustrating portions of the winch, which form no part of the claimed design.

1 Claim, 7 Drawing Sheets



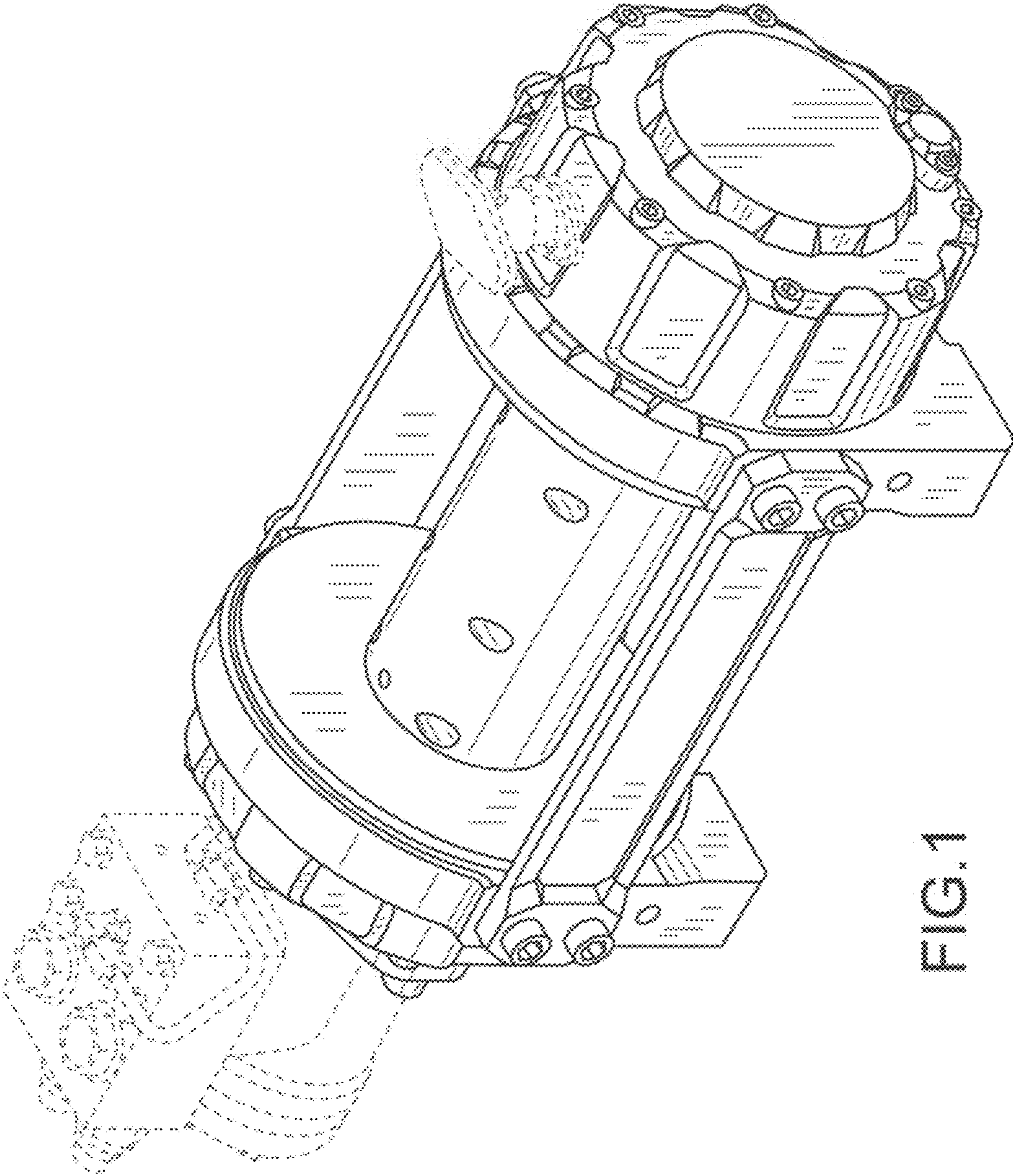


FIG.1

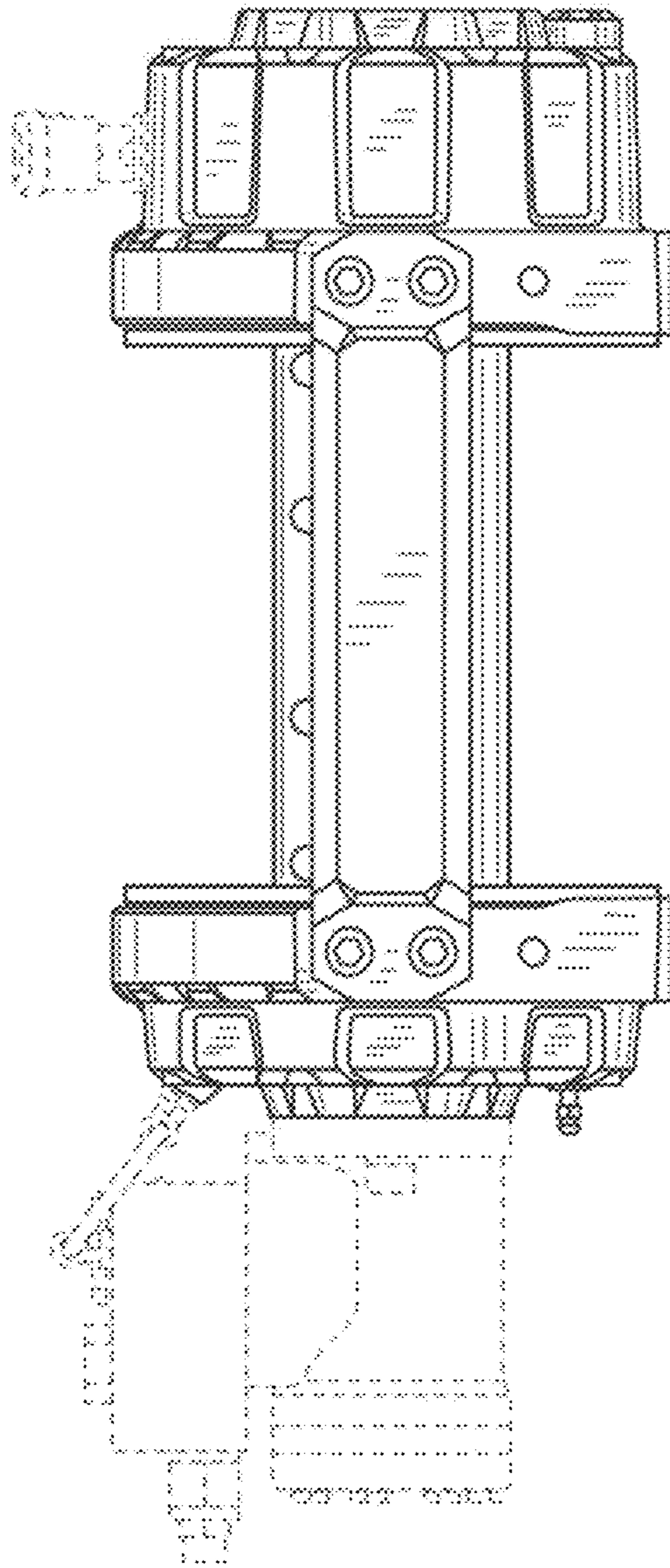


FIG. 2

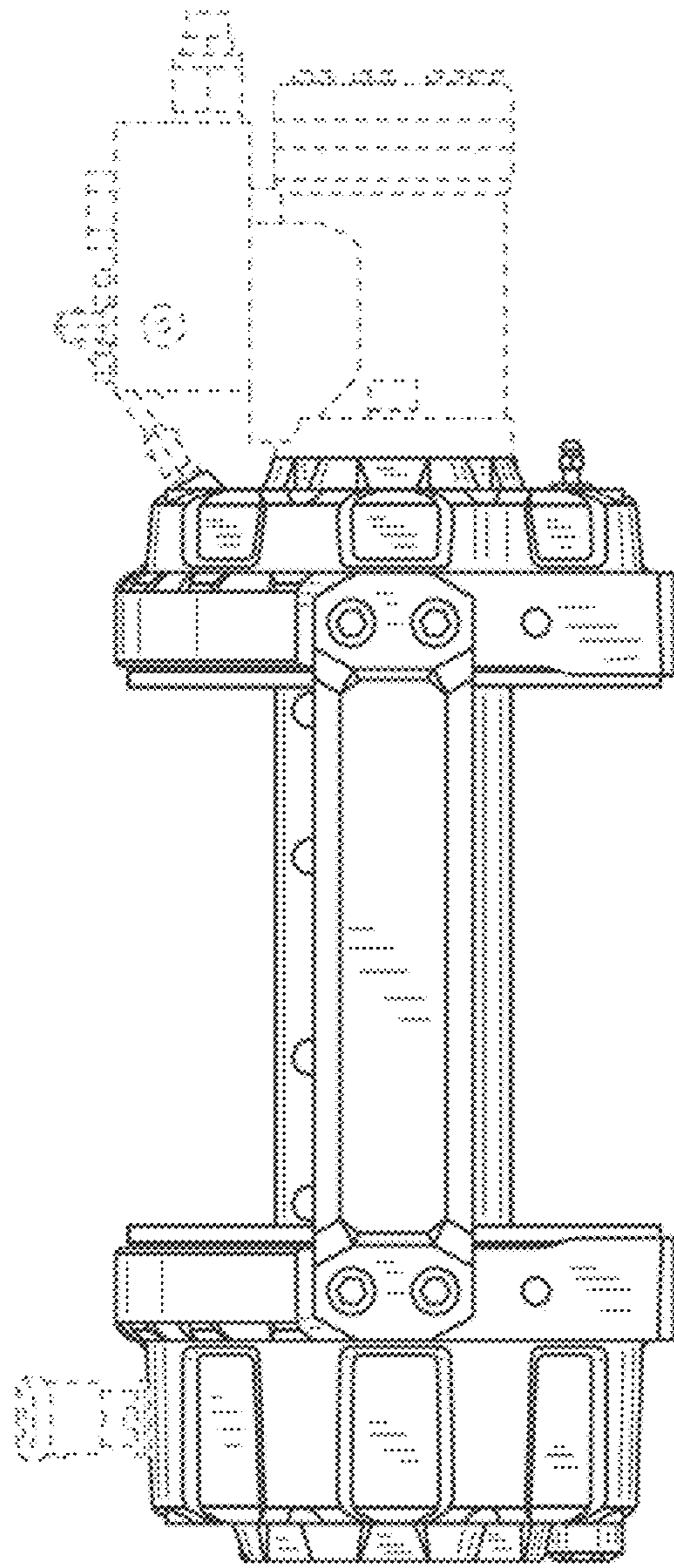


FIG. 3

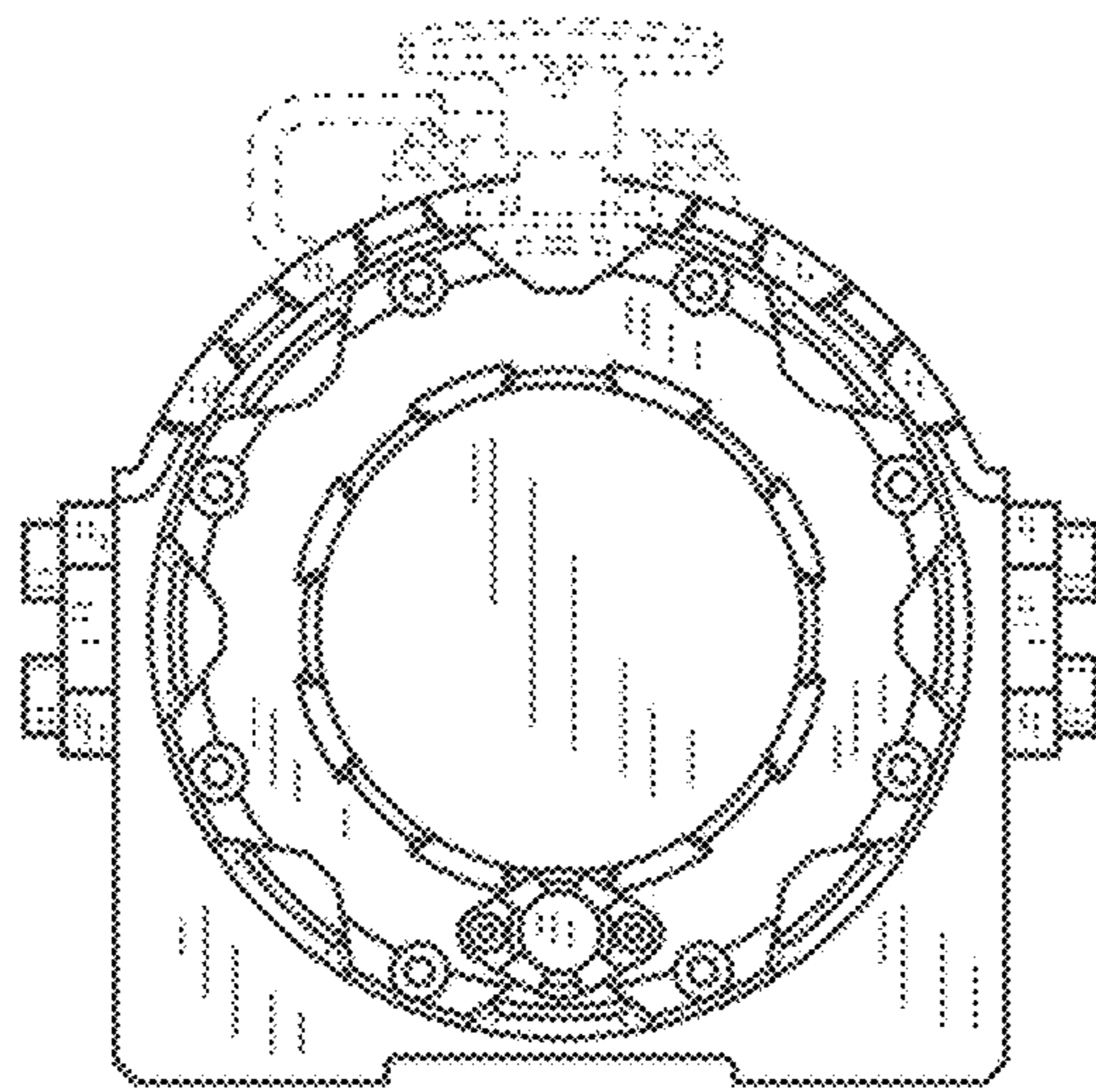


FIG.4

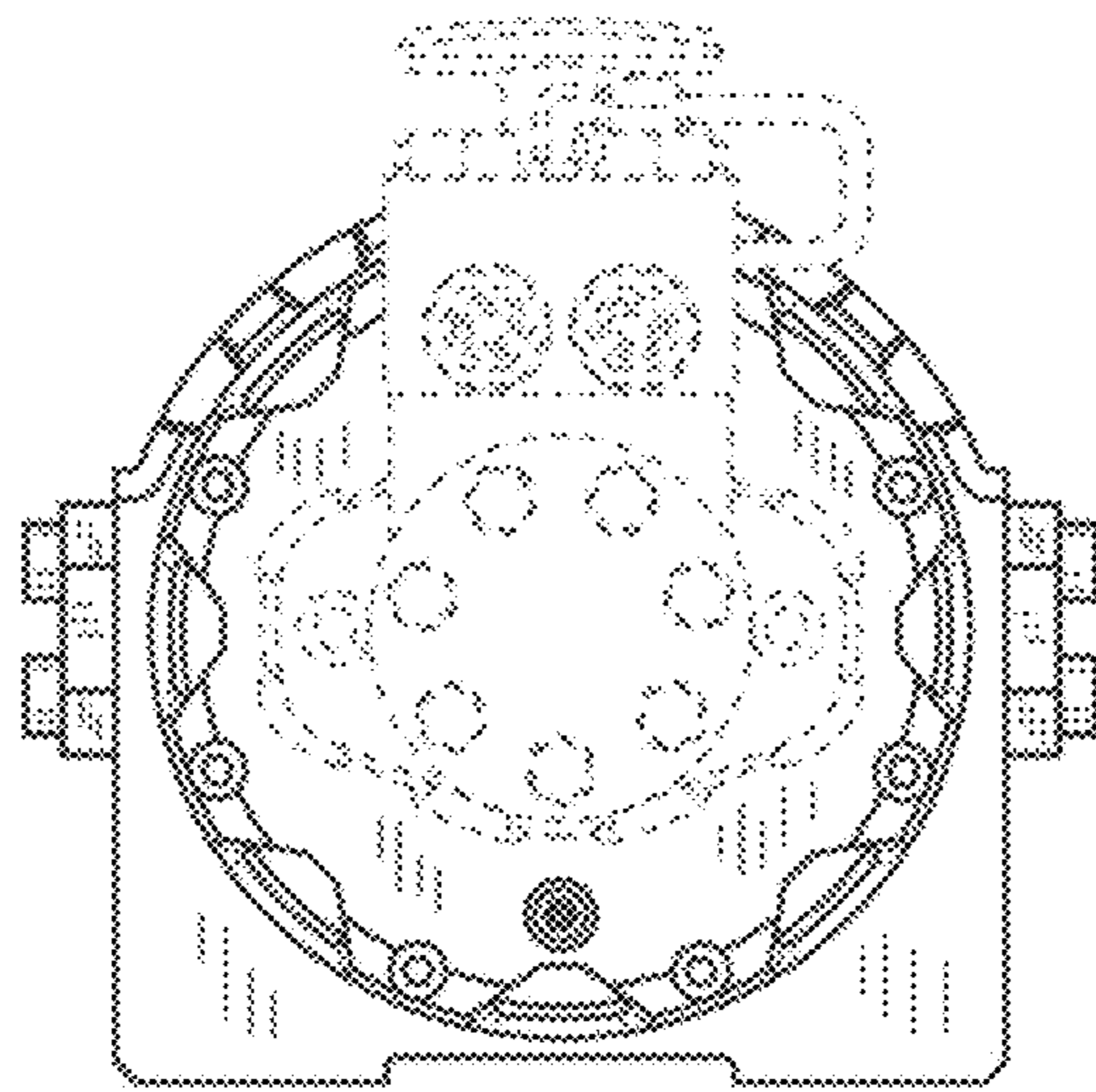


FIG. 5

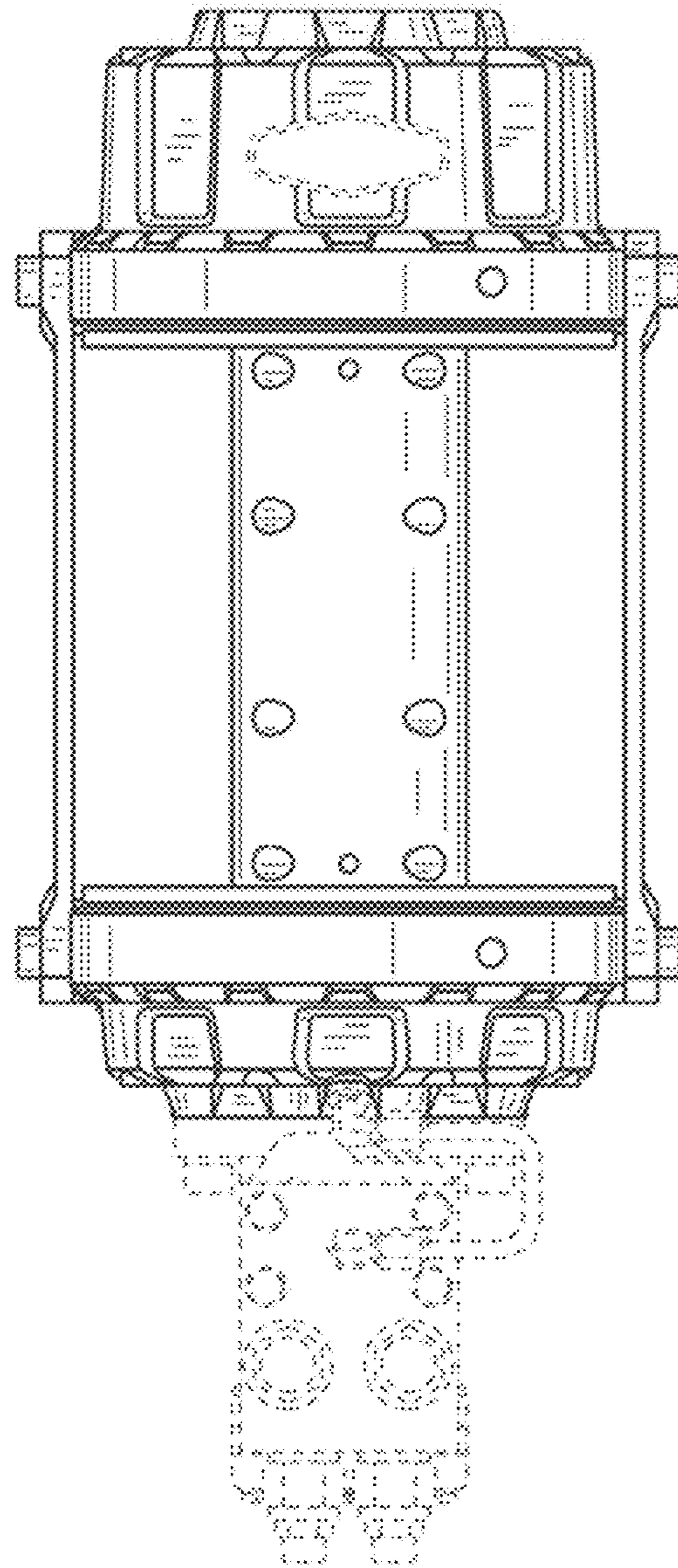


FIG. 6

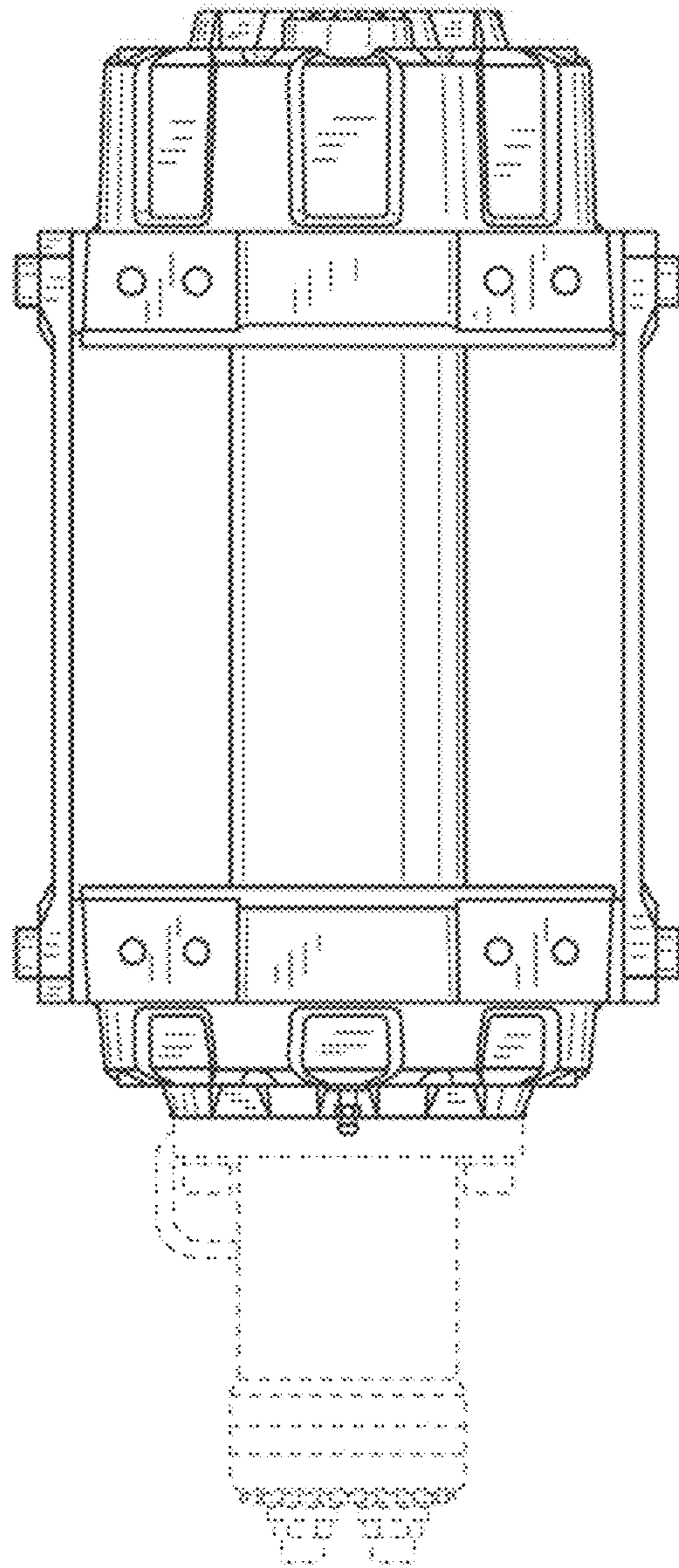


FIG. 7