



US00D880802S

(12) **United States Design Patent**
Schenone et al.

(10) **Patent No.:** **US D880,802 S**

(45) **Date of Patent:** **** Apr. 7, 2020**

(54) **LOCKING COLLAR FOR A CART**

(71) Applicant: **EchoNous, Inc.**, Redmond, WA (US)

(72) Inventors: **David J. Schenone**, Lake Oswego, OR (US); **Jeffrey D. Allison**, Lake Oswego, OR (US); **Kim Porter Henneman**, Bend, OR (US); **Shelby Brunke**, Sammamish, WA (US); **Nathan Dale**, Bothell, WA (US)

(73) Assignee: **EchoNous, Inc.**, Redmond, WA (US)

(**) Term: **15 Years**

(21) Appl. No.: **29/640,817**

(22) Filed: **Mar. 16, 2018**

(51) **LOC (12) Cl.** **12-02**

(52) **U.S. Cl.**
USPC **D34/27; D8/330**

(58) **Field of Classification Search**
USPC 188/74; D8/394, 396, 349, 382, 330;
D24/128; D34/12, 14, 17, 27; 24/455
CPC . A61B 90/50; A61B 90/25; F16B 2/10; F16B
5/0072; F16B 5/121; F16B 5/125
See application file for complete search history.

(56) **References Cited**

U.S. PATENT DOCUMENTS

D260,816 S *	9/1981	Zissimopoulos	D24/128
D281,453 S *	11/1985	DiGianfilippo	D24/128
4,744,536 A *	5/1988	Bancalari	A61M 5/1415
				D24/128
D325,440 S *	4/1992	Landis	D24/128
D338,560 S *	8/1993	Lundy	D34/27
5,772,162 A *	6/1998	Lin	A61M 5/1415
				248/121
D411,440 S *	6/1999	Stahel	D8/396
D419,674 S *	1/2000	Schaffner	D24/128
D457,239 S *	5/2002	Kunik	D24/128
D600,530 S *	9/2009	Caudell	D8/330

D608,496 S *	1/2010	Hodgson	D26/138
D628,691 S *	12/2010	Sung	D24/128
D650,142 S *	12/2011	McRorie	D34/14
8,100,371 B2 *	1/2012	Eggleston	A61G 12/008
				248/125.8
8,313,066 B2 *	11/2012	Hampton	A61M 5/1415
				16/30
8,567,730 B1 *	10/2013	Stevenson	A61M 5/1415
				248/125.8

(Continued)

OTHER PUBLICATIONS

Echonous, "EchoNous AI Station", Apr. 4, 2019. https://echonous.com/en_us/products/ai-station. Shown on p. 1. (Year: 2019).*

Primary Examiner — Cynthia Ramirez

Assistant Examiner — Michael A Maharajh

(74) *Attorney, Agent, or Firm* — Seed Intellectual Property Law Group LLP

(57) **CLAIM**

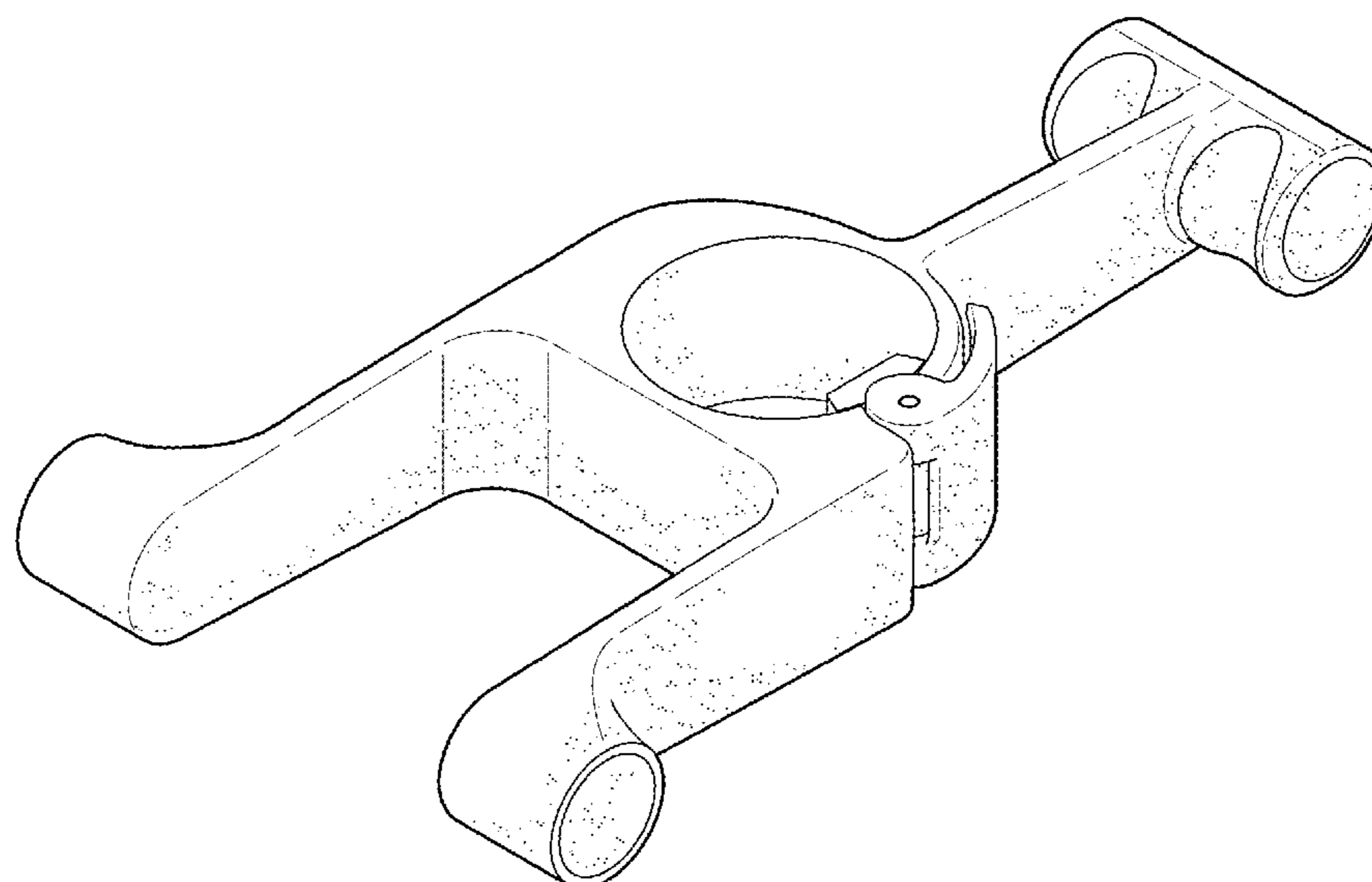
The ornamental design for a locking collar for a cart, as shown and described.

DESCRIPTION

FIG. 1 is a top, front right perspective view of the locking collar for a cart, showing our new design.
FIG. 2 is a bottom, rear left perspective view thereof.
FIG. 3 is a front elevation view thereof.
FIG. 4 is a rear elevation view thereof.
FIG. 5 is a top plan view thereof.
FIG. 6 is a right side elevation view thereof.
FIG. 7 is a left side elevation view thereof.
FIG. 8 is a bottom plan view thereof; and,
FIG. 9 is a top plan view of the locking collar for a cart of FIG. 1, with the clamping fastener shown in an extended position.

The broken lines in the figures illustrate environment and form no part of the claimed design.

1 Claim, 7 Drawing Sheets



(56)

References Cited

U.S. PATENT DOCUMENTS

D728,096	S	*	4/2015	Yamamoto	D24/128
D730,011	S	*	5/2015	McRorie	D34/14
D734,541	S	*	7/2015	Petrucelli	D24/128
D735,025	S	*	7/2015	Mathien	D8/396
D749,835	S	*	2/2016	Whitaker	D3/10
D775,519	S	*	1/2017	May	D8/396
D785,441	S	*	5/2017	Katsuma	D8/330
D786,522	S	*	5/2017	Houlihan	B62B 3/008
						D34/14
D806,340	S	*	12/2017	Stalter	D34/14
D810,958	S	*	2/2018	Lacy	D24/227
D819,806	S	*	6/2018	Koehler	D24/128
D820,977	S	*	6/2018	Lee	D24/128
D820,978	S	*	6/2018	Koehler	D24/128
2017/0277851	A1	*	9/2017	Adams	G06F 19/3468

* cited by examiner

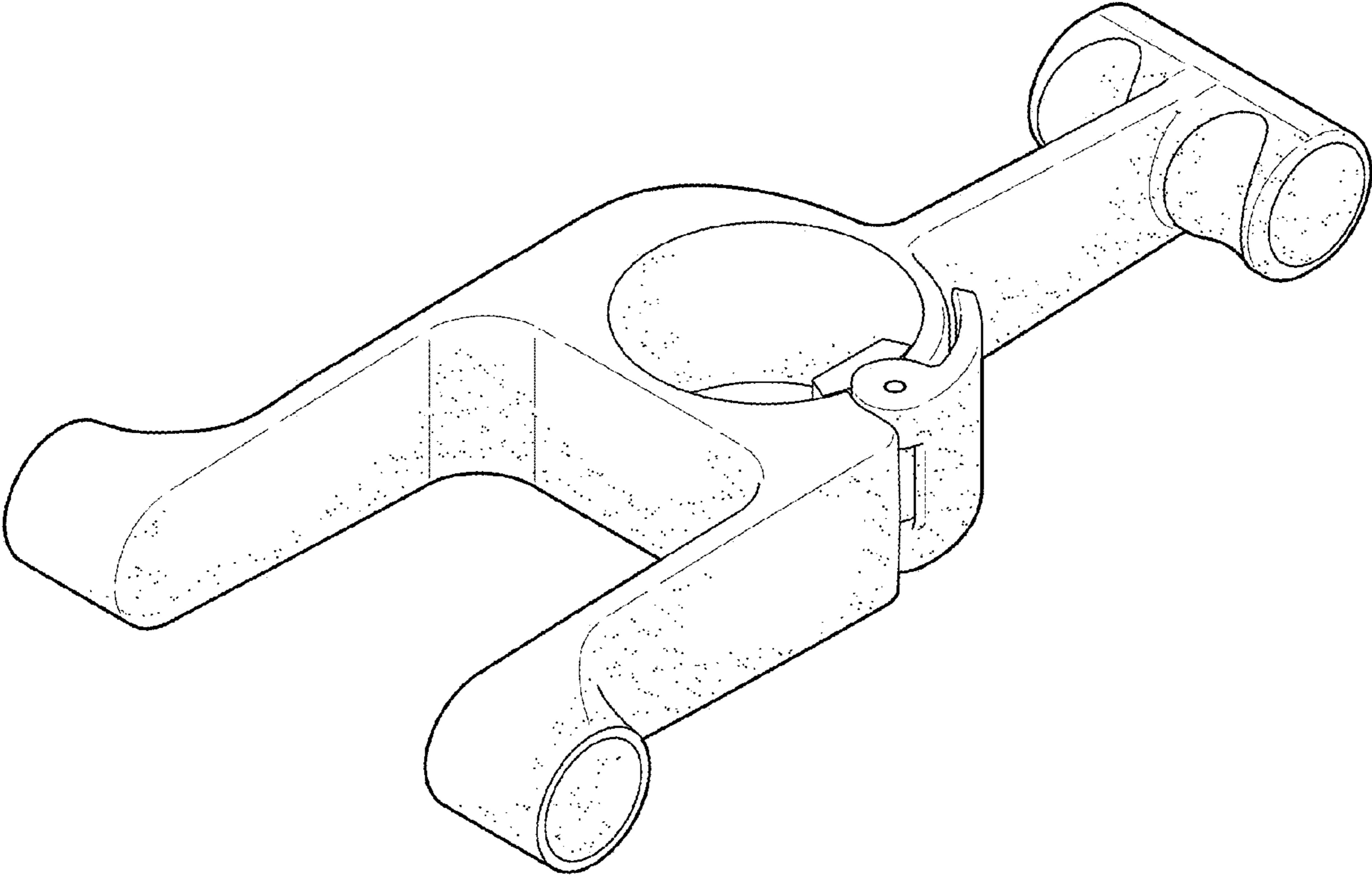


FIG. 1

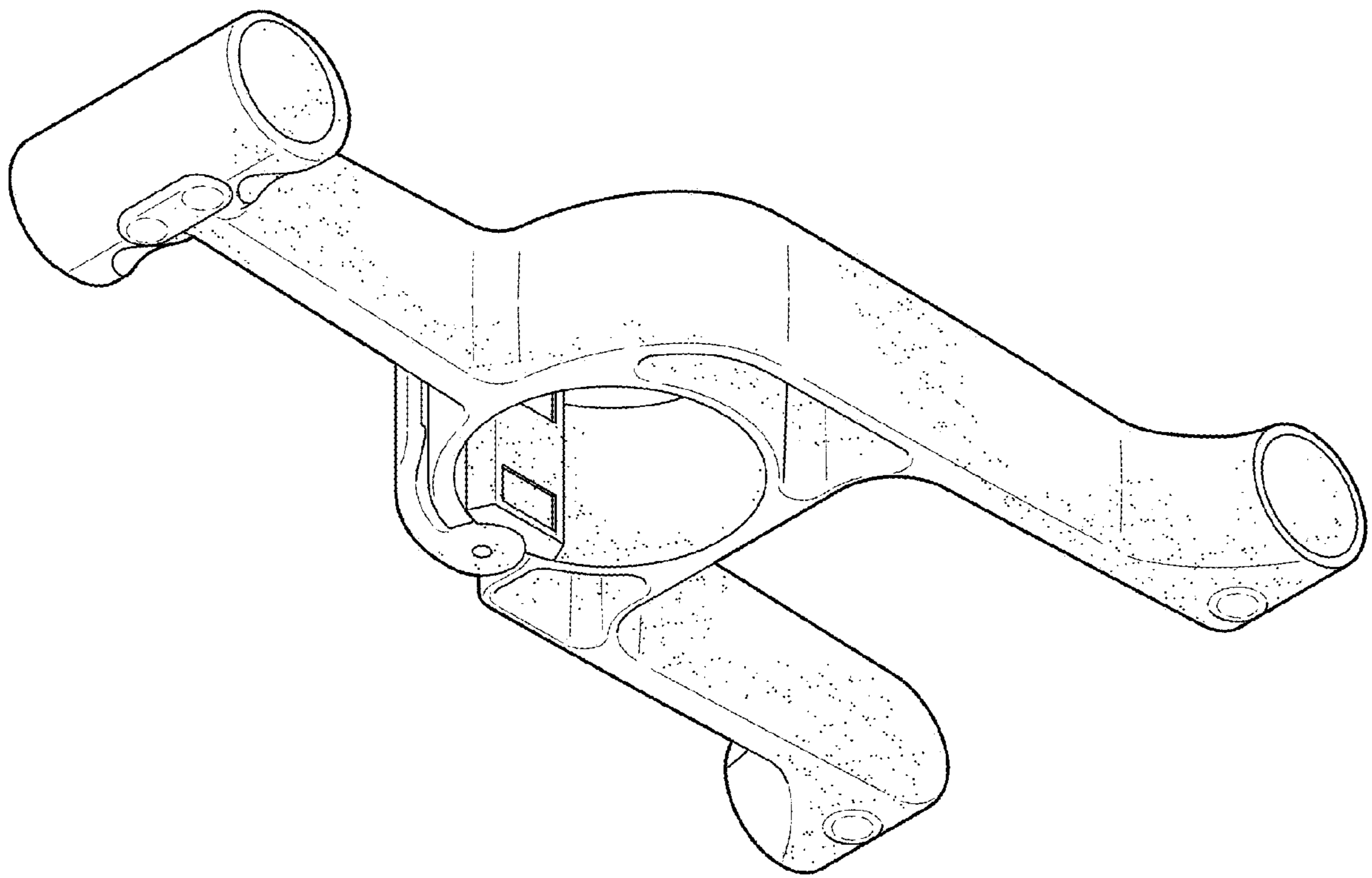


FIG. 2

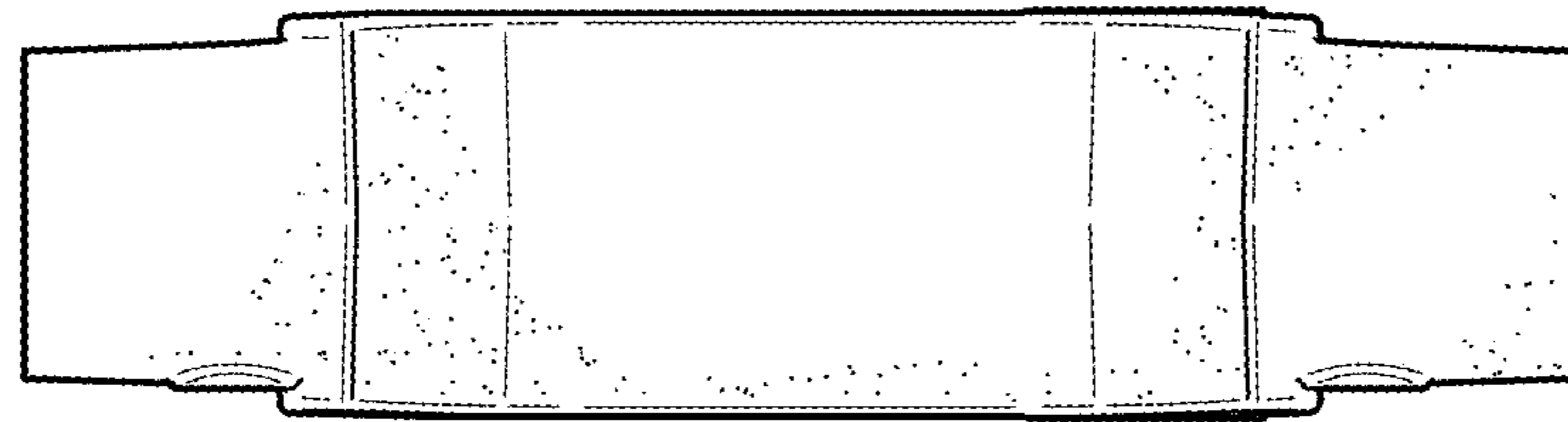


FIG. 3

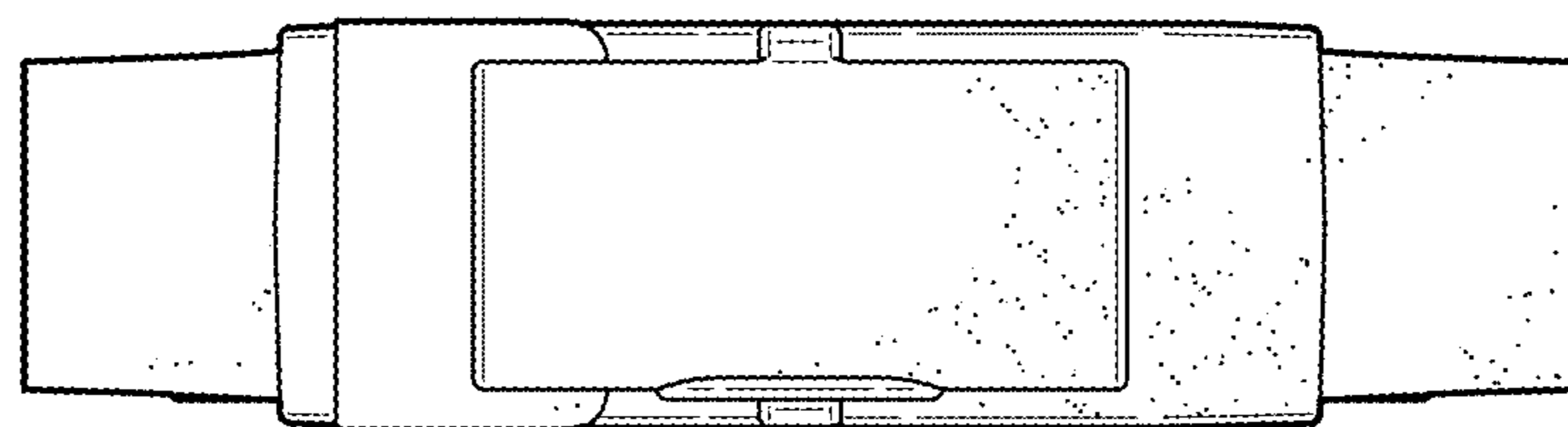


FIG. 4

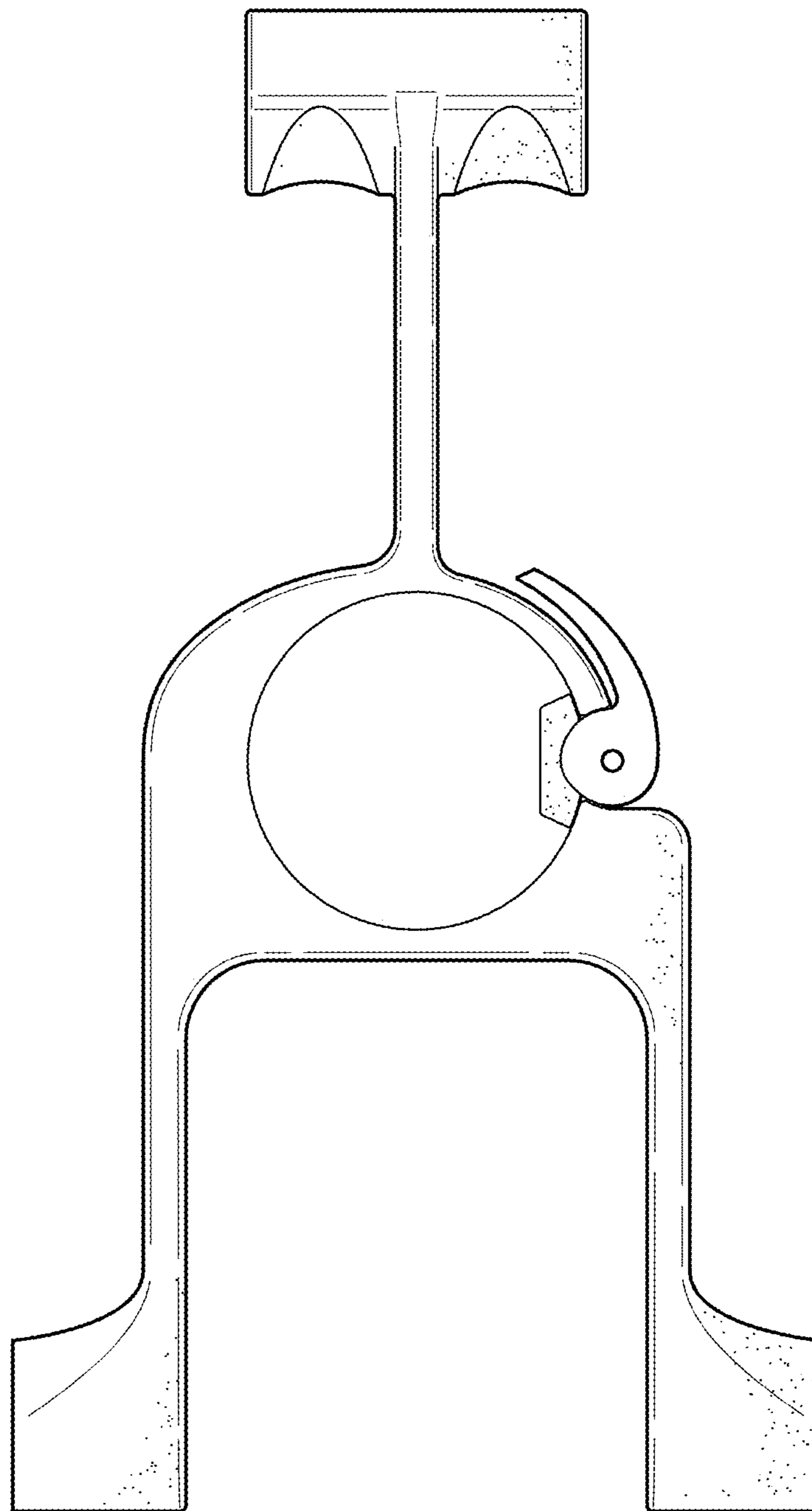


FIG. 5

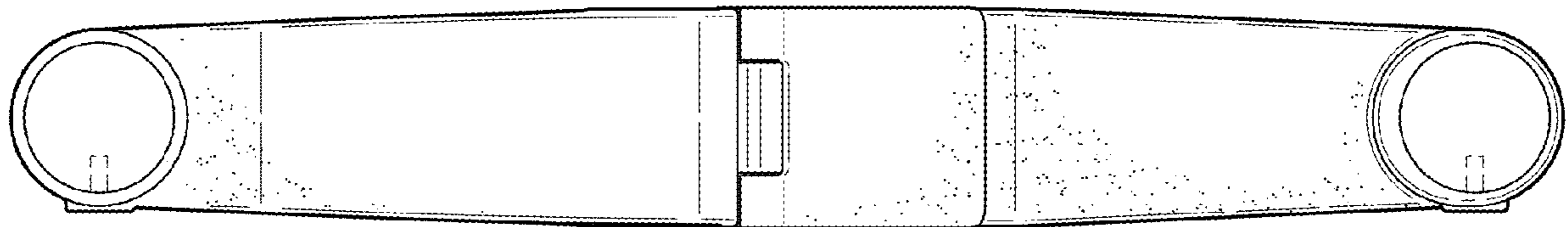


FIG. 6

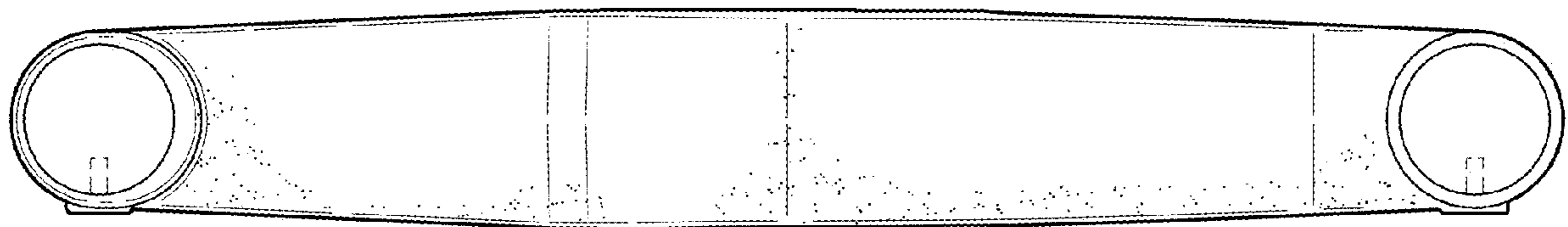


FIG. 7

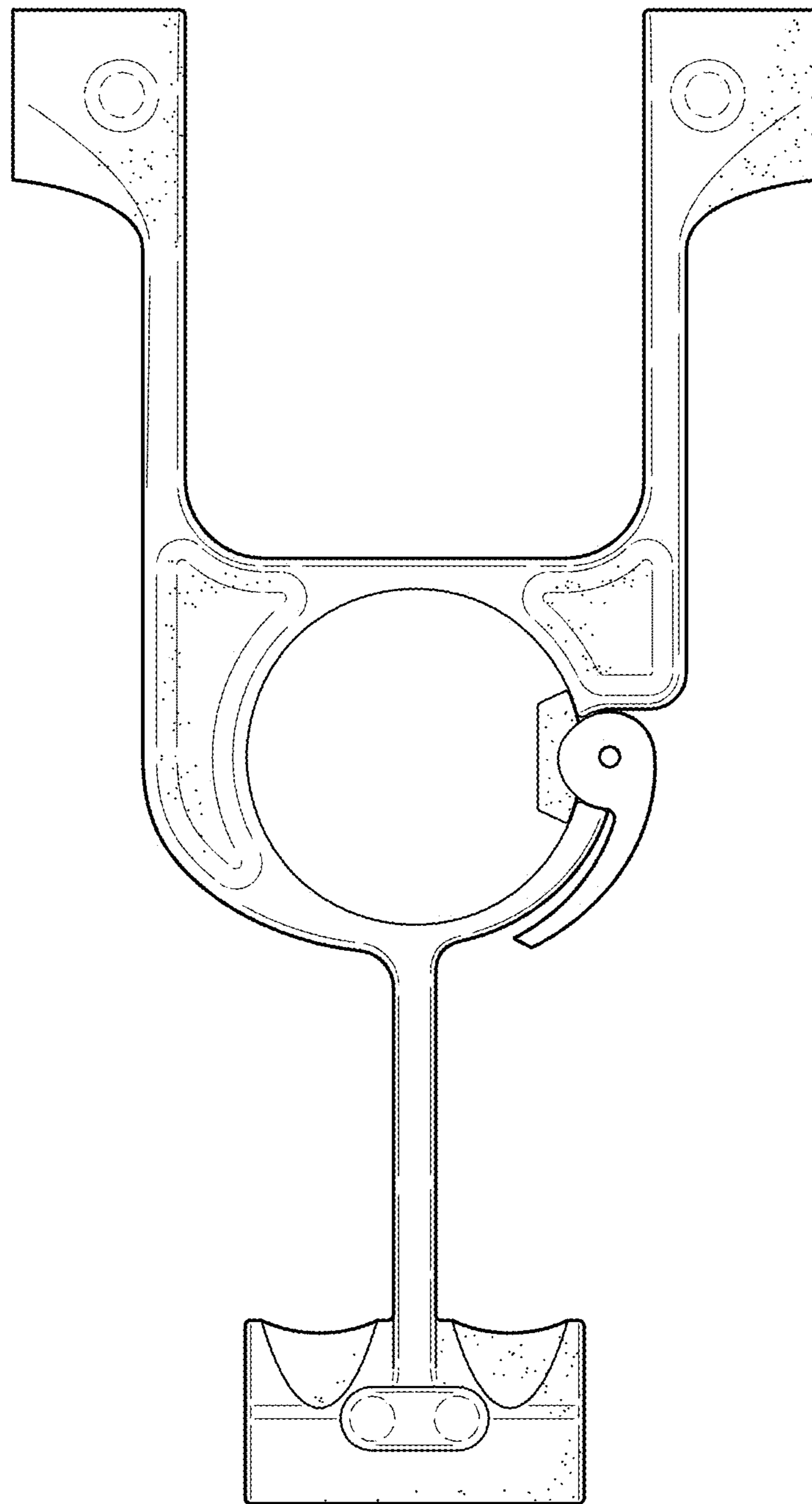


FIG. 8

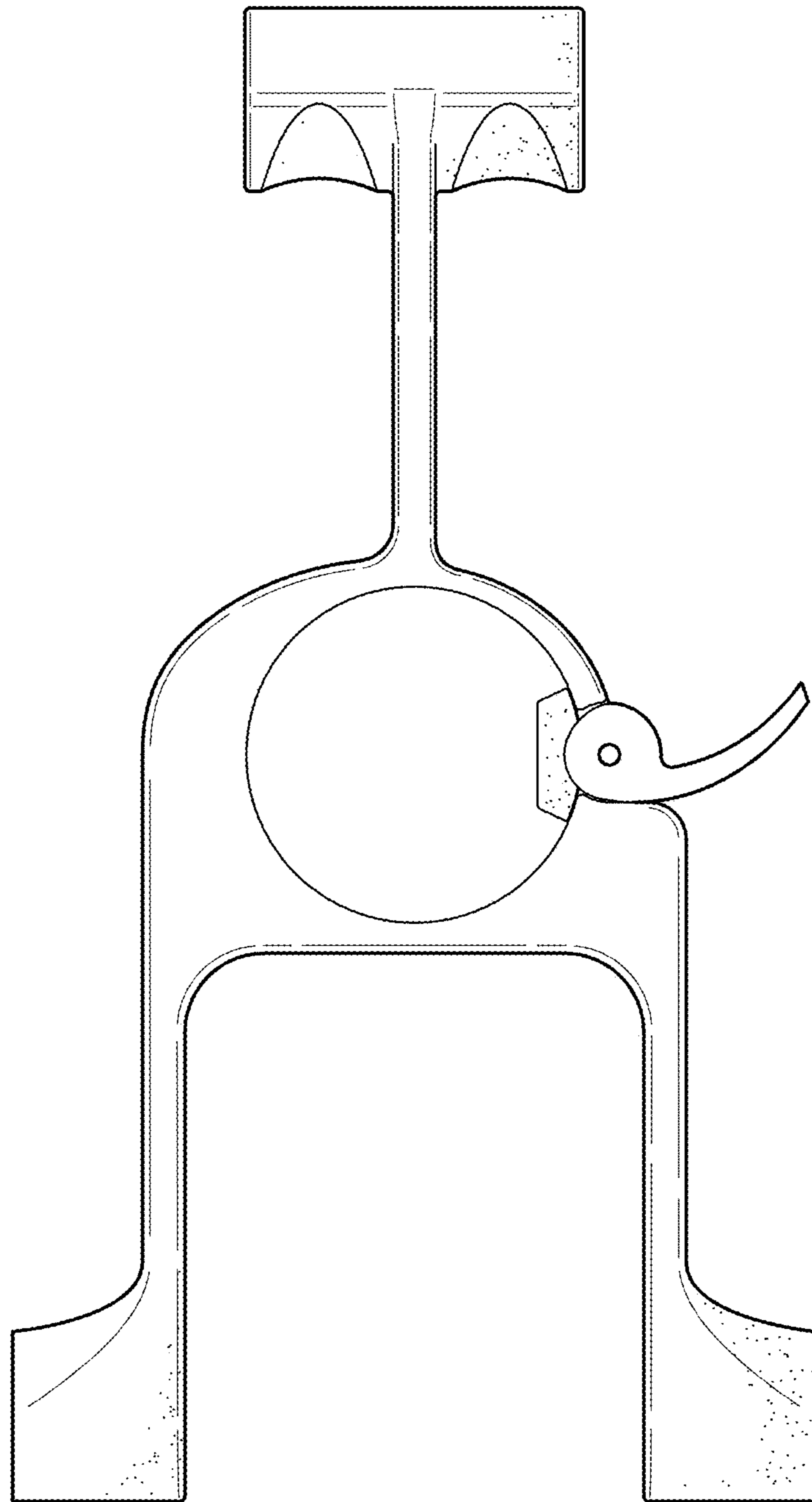


FIG. 9